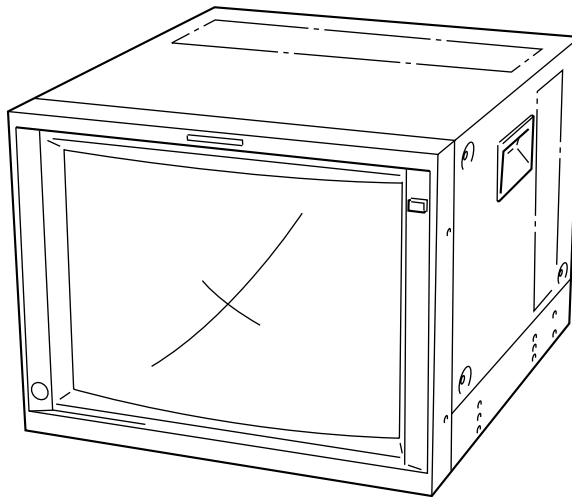


SERVICE MANUAL

<u>MODEL</u>	<u>DEST.</u>	<u>CHASSIS NO.</u>	<u>MODEL</u>	<u>DEST.</u>	<u>CHASSIS NO.</u>
PVM-14L5	US/CND	SCC-G61K-A			
PVM-20L5	US/CND	SCC-G61L-A			
PVM-D14L5A	AUS	SCC-H03D-A			
PVM-D20L5A	AUS	SCC-H03E-A			

REVISED-1



TRINITRON® COLOR VIDEO MONITOR

SONY®

⚠ 警告

このマニュアルは、サービス専用です。
お客様が、このマニュアルに記載された設置や保守、点検、修理などを行うと感電や火災、人身事故につながる可能性があります。
危険をさけるため、サービストレーニングを受けた技術者のみご使用ください。

⚠ WARNING

This manual is intended for qualified service personnel only.
To reduce the risk of electric shock, fire or injury, do not perform any servicing other than that contained in the operating instructions unless you are qualified to do so. Refer all servicing to qualified service personnel.

⚠ WARNUNG

Die Anleitung ist nur für qualifiziertes Fachpersonal bestimmt.
Alle Wartungsarbeiten dürfen nur von qualifiziertem Fachpersonal ausgeführt werden. Um die Gefahr eines elektrischen Schlages, Feuergefahr und Verletzungen zu vermeiden, sind bei Wartungsarbeiten strikt die Angaben in der Anleitung zu befolgen. Andere als die angegeben Wartungsarbeiten dürfen nur von Personen ausgeführt werden, die eine spezielle Befähigung dazu besitzen.

⚠ AVERTISSEMENT

Ce manuel est destiné uniquement aux personnes compétentes en charge de l'entretien. Afin de réduire les risques de décharge électrique, d'incendie ou de blessure n'effectuer que les réparations indiquées dans le mode d'emploi à moins d'être qualifié pour en effectuer d'autres. Pour toute réparation faire appel à une personne compétente uniquement.

WARNING!!

AN INSULATED TRANSFORMER SHOULD BE USED DURING ANY SERVICE TO AVOID POSSIBLE SHOCK HAZARD, BECAUSE OF LIVE CHASSIS. THE CHASSIS OF THIS RECEIVER IS DIRECTLY CONNECTED TO THE AC POWER LINE.

SAFETY-RELATED COMPONENT WARNING !!

COMPONENTS IDENTIFIED BY A **⚠** MARK ON THE SCHEMATIC DIAGRAMS, EXPLODED VIEWS AND IN THE PARTS LIST ARE CRITICAL TO SAFE OPERATION. REPLACE THESE COMPONENTS WITH SONY PARTS WHOSE PART NUMBERS APPEAR AS SHOWN IN THIS MANUAL OR IN SUPPLEMENTS PUBLISHED BY SONY. CIRCUIT ADJUSTMENTS THAT ARE CRITICAL TO SAFE OPERATION ARE IDENTIFIED IN THIS MANUAL. FOLLOW THESE PROCEDURES WHENEVER CRITICAL COMPONENTS ARE REPLACED OR IMPROPER OPERATION IS SUSPECTED.

ATTENTION!!

AFIN D'ÉVITER TOUT RISQUE D'ÉLECTROCUTION PROVENANT D'UN CHÂSSIS SOUS TENSION, UN TRANSFORMATEUR D'ISOLEMENT DOIT ÊTRE UTILISÉ LORS DE TOUT DÉPANNAGE. LE CHÂSSIS DE CE RÉCEPTEUR EST DIRECTEMENT RACCORDÉ À L'ALIMENTATION SECTEUR.

ATTENTION AUX COMPOSANTS RELATIFS À LA SÉCURITÉ!!

LES COMPOSANTS IDENTIFIÉS PAR UNE MAPQUE **⚠** SUR LES SCHÉMAS DE PRINCIPE, LES VUES EXPLOSÉES ET LES LISTES DE PIÈCES SONT D'UNE IMPORTANCE CRITIQUE POUR LA SÉCURITÉ DU FONCTIONNEMENT. NE LES REMPLACER QUE PAR DES COMPOSANTS SONY DONT LE NUMÉRO DE PIÈCE EST INDIQUÉ DANS LE PRÉSENT MANUEL OU DANS DES SUPPLÉMENTS PUBLIÉS PAR SONY. LES RÉGLAGES DE CIRCUIT DONT L'IMPORTANCE EST CRITIQUE POUR LA SÉCURITÉ DU FONCTIONNEMENT SONT IDENTIFIÉS DANS LE PRÉSENT MANUEL. SUIVRE CES PROCEDURES LORS DE CHAQUE REMPLACEMENT DE COMPOSANTS CRITIQUES, OU LORSQU'UN MAUVAIS FONCTIONNEMENT EST SUSPECTÉ.

Table of Contents

1. Service Informations

1-1.	Board Layout (14 inch)	1-1
1-2.	Disassembly (14 inch)	1-1
1-2-1.	Top Cover Removal (14 inch)	1-1
1-2-2.	Bezel Assy Removal (14 inch)	1-2
1-2-3.	H1 Board Removal (14 inch)	1-2
1-2-4.	H2 Board Removal (14 inch)	1-3
1-2-5.	J , D1, D2 and D Boards Removal (14 inch)	1-3
1-2-6.	C Board Removal (14 inch)	1-4
1-2-7.	B Block Assy Removal (14 inch)	1-4
1-2-8.	K, T, B1, M and B Boards Removal (14 inch)	1-5
1-2-9.	Q Block Assy Removal (14 inch)	1-5
1-2-10.	Removal of Anode Cap	1-6
1-2-11.	G Board Removal (14 inch)	1-6
1-2-12.	Picture Tube Removal (14 inch)	1-7
1-2-13.	Speaker Removal (14 inch)	1-8
1-2-14.	Service Position (14 inch)	1-8
1-3.	Board Layout (20 inch)	1-9
1-4.	Disassembly (20 inch)	1-10
1-4-1.	Top Cover Removal (20 inch)	1-10
1-4-2.	Bezel Assy Removal (20 inch)	1-10
1-4-3.	HA Board Removal (20 inch)	1-11
1-4-4.	HB Board Removal (20 inch)	1-11
1-4-5.	J, D1, D2 and D Boards Removal (20 inch)	1-12
1-4-6.	C Board Removal (20 inch)	1-12
1-4-8.	K, T, B1, M and B Boards Removal (20 inch)	1-13
1-4-7.	B Block Removal (20 inch)	1-13
1-4-9.	Q Block Assy Removal (20 inch)	1-14
1-4-10.	Removal of Anode Cap	1-14
1-4-11.	G Board Removal (20 inch)	1-15
1-4-12.	Picture Tube Removal (20 inch)	1-15
1-4-13.	Speaker Removal (20 inch)	1-16
1-4-14.	Service Position (20 inch)	1-16

2. Set-up Adjustment

2-1.	Equipment Required	2-1
2-2.	Preparations (1)	2-1
2-3.	Preparation (2). Initialization	2-16
2-4.	Writing Model Data	2-17
2-5.	Picture Output	2-17
2-6.	Free-run Frequency Adjustment	2-17

2-7.	Landing Adjustment	2-18
2-8.	H Blanking Adjustment	2-19
2-9.	Linearity Adjustment	2-20
2-10.	Convergence Adjustment (1)	2-21
2-11.	Deflection Yoke Neck Rotation Adjustment	2-22
2-12.	Convergence Adjustment (2)	2-22
2-13.	G2 Adjustment	2-23
2-14.	White Balance Adjustment (15k)	2-23
2-15.	White Balance Adjustment (33k)	2-24
2-16.	SUB BRIGHT, SUB CONTRAST Adjustment (15 K)	2-24
2-17.	SUB BRIGHT, SUB CONTRAST Adjustment (33 K)	2-25
2-18.	White Balance Interference Correction Adjustment	2-25
2-18-1.	NTSC Composite Adjustment	2-25
2-18-2.	PAL Composite Adjustment	2-25
2-18-3.	COMPONENT Adjustment	2-25
2-18-4.	SDI Adjustment	2-25
2-18-5.	HD and SDI Adjustments	2-26
2-19.	Focus Adjustment	2-26

3. Safety Related Adjustment

3-1.	High Tension Regulator Confirmation	3-2
3-2.	Protection Circuit Confirmation	3-2
3-2-1.	HV Protector Circuit Confirmation	3-2
3-2-2.	1K Protector Circuit Confirmation	3-2

4. Electrical Adjustments

4-1.	Equipment Required	4-1
4-2.	B Board Adjustments	4-2
4-2-1.	Preparations	4-2
4-2-2.	15k YPBPR SMPTE (601) Signal Adjustment	4-3
4-2-2-1.	Black Level Adjustment	4-3
4-2-2-2.	CHROMA Leak Adjustment	4-4
4-2-2-3.	MATRIX Adjustment	4-4
4-2-3.	15k YPBPR BETACAM SETUP 0 Signal Adjustment	4-5
4-2-4.	15k YPBPR BETACAM SETUP 7.5 Signal Adjustment	4-5
4-2-5.	33 k YPBPR SMPTE (709) Signal Adjustment	4-6
4-3.	B1 Board Adjustments	4-8
4-3-1.	Preparation	4-8
4-3-2.	Y OUT Level Adjustment (BYPASS Mode)	4-9
4-3-3.	Clamp Pulse Width Adjustment (NTSC)	4-9
4-3-4.	Burst Gate Pulse Width Adjustment (NTSC)	4-9

4-3-5.	3.58 f0 Adjustment (NTSC)	4-9
4-3-6.	Phase Adjustment (NTSC)	4-9
4-3-7.	Level Adjustment (NTSC)	4-10
4-3-8.	Burst Gate Pulse Width Adjustment (PAL)	4-10
4-3-9.	4.43 f0 Adjustment (PAL)	4-10
4-3-10.	PAL B-Y PHASE Adjustment	4-10
4-3-11.	PAL PHASE Adjustment (Normal)	4-11
4-3-12.	Level Adjustment (PAL)	4-11
4-3-13.	Level Adjustment (NTSC 443)	4-11
4-3-14.	Clamp Pulse Width Adjustment (SECAM)	4-12
4-3-15.	H. Pulse Width Adjustment (SECAM)	4-12
4-3-16.	Level Adjustment (SECAM)	4-12

5. Theory of Operation

5-1.	B Board	5-1
5-2.	BI Board	5-3
5-3.	C Board	5-4
5-4.	Deflection Circuit and High Tension Circuit	5-5
5-7.	Power Supply Circuit	5-7

6. Semiconductors 6-1

7. Spare Parts

7-1.	Notes on Repair Parts	7-1
7-2.	Exploded Views	7-2
7-3.	Electrical Parts List	7-11

8. Block Diagrams

Overall (1/2)	8-1
Overall (2/2)	8-2
Q (1/2), B (1/5), T (1/2), K	8-3
B (2/5)	8-4
B (3/5)	8-5
Q (2/2), B (4/5, 5/5), M, T (2/2), H1 (14L)/HA (20L), H2 (14L)/HB (20L) ...	8-6
B1	8-7
C, D, D1, D2, DY	8-8
G, J	8-9

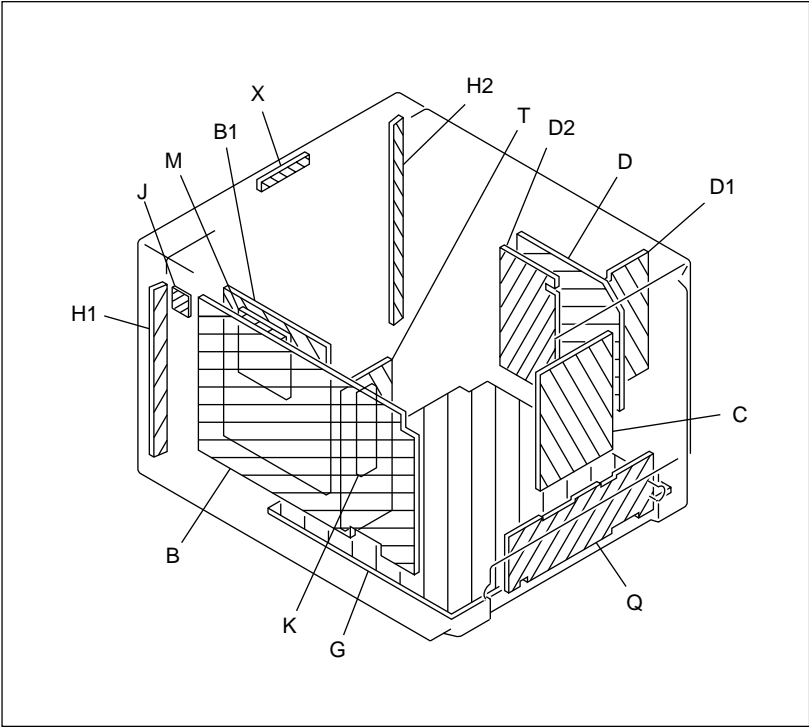
9. Diagrams

9-1.	Frame Schematic Diagram	9-3
	Frame	9-3
9-2.	Schematic Diagrams and Printed Wiring Boards	9-4
	Schematic Diagrams	
	Q (1/2)	9-5
	Q (2/2)	9-6
	T	9-8
	B (1/5)	9-11
	B (2/5)	9-12
	B (3/5)	9-13
	B (4/5)	9-14
	B (5/5)	9-15
	B1 (1/2)	9-21
	B1 (2/2)	9-22
	M	9-24
	H1	9-25
	H2	9-27
	HA	9-29
	HB	9-30
	K	9-31
	C	9-33
	X	9-34
	J	9-35
	D	9-37
	D2	9-37
	D1	9-39
	G (1/2)	9-42
	G (2/2)	9-43
	Printed Wiring Boards	
	Q	9-4
	T	9-7
	B	9-16
	B1	9-20
	M	9-23
	H1	9-23
	H2	9-26
	HA	9-28
	HB	9-28
	K	9-31
	C	9-32
	X	9-34
	J	9-35
	D2	9-35
	D	9-36
	D1	9-38
	G	9-40

Section 1

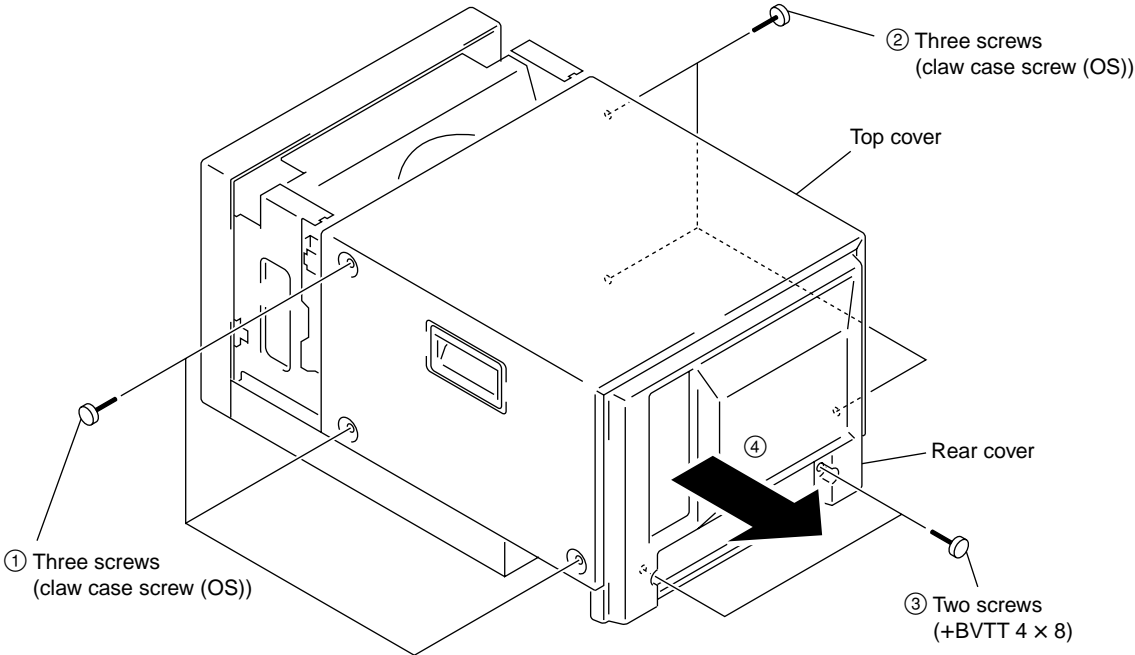
Service Informations

1-1. Board Layout (14 inch)

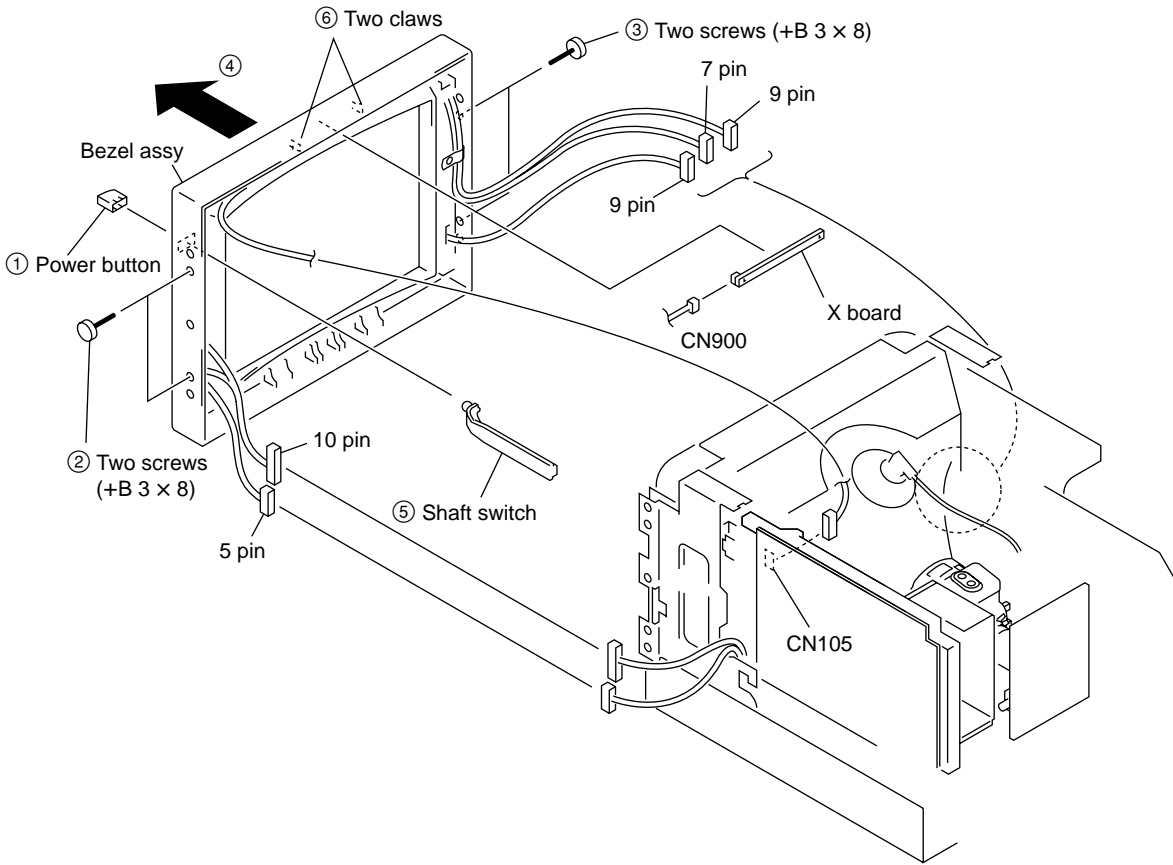


1-2. Disassembly (14 inch)

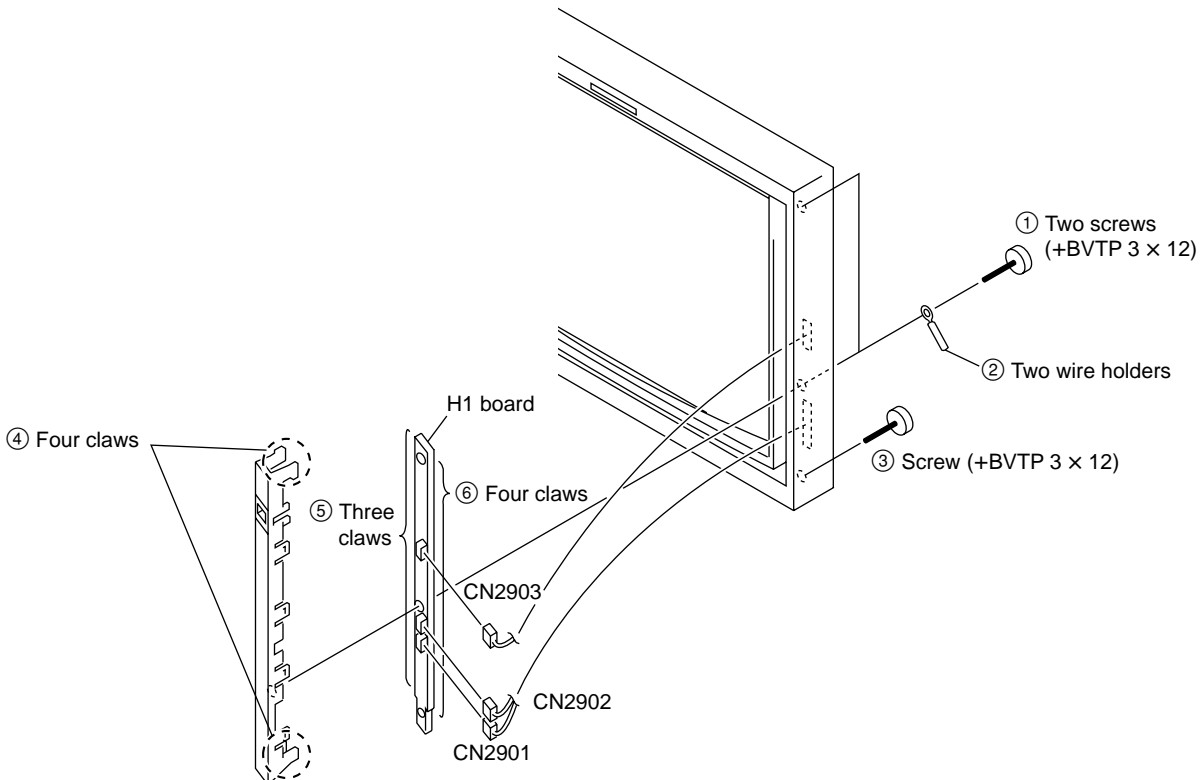
1-2-1. Top Cover Removal (14 inch)



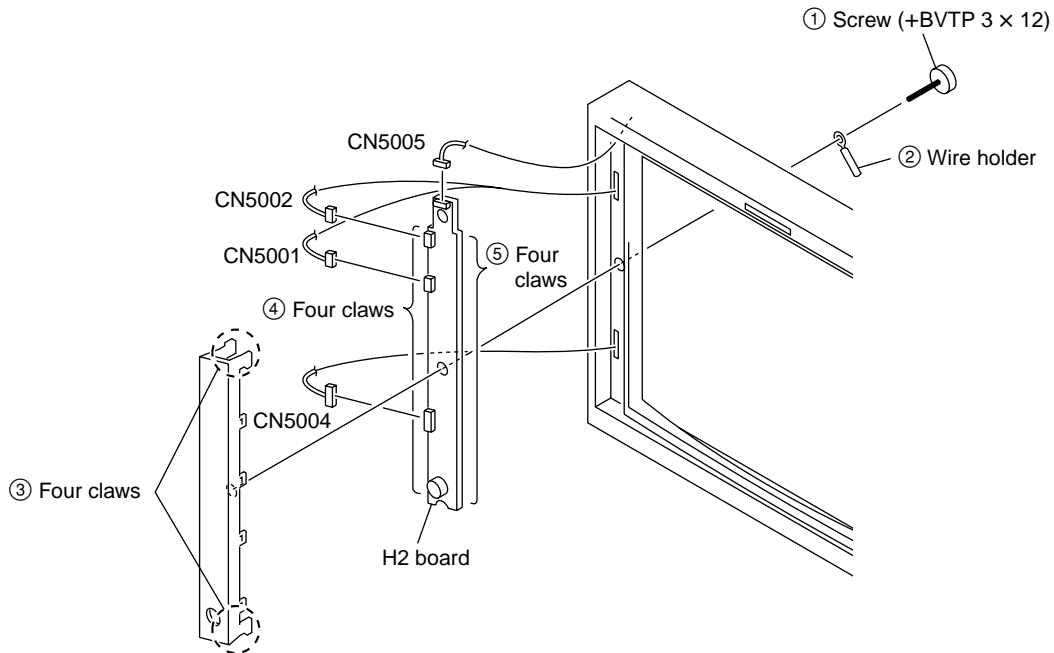
1-2-2. Bezel Assy Removal (14 inch)



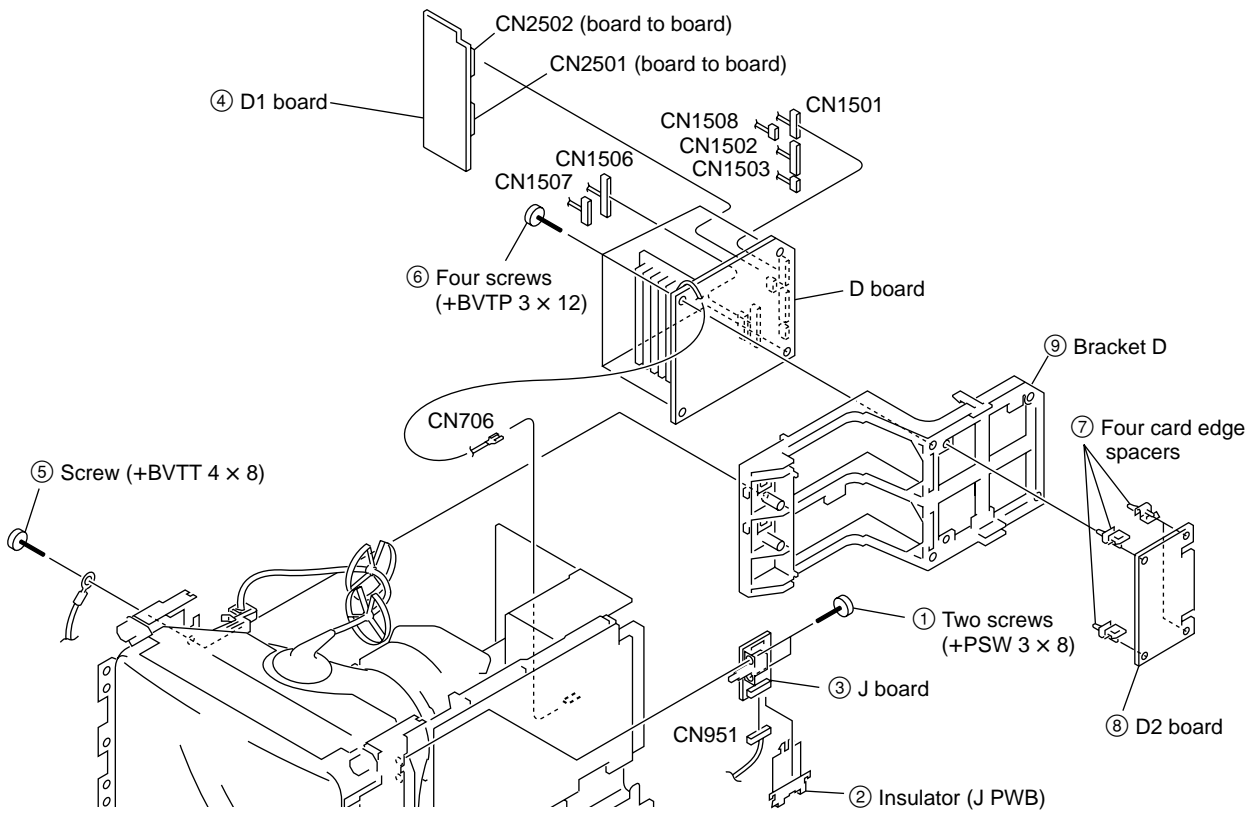
1-2-3. H1 Board Removal (14 inch)



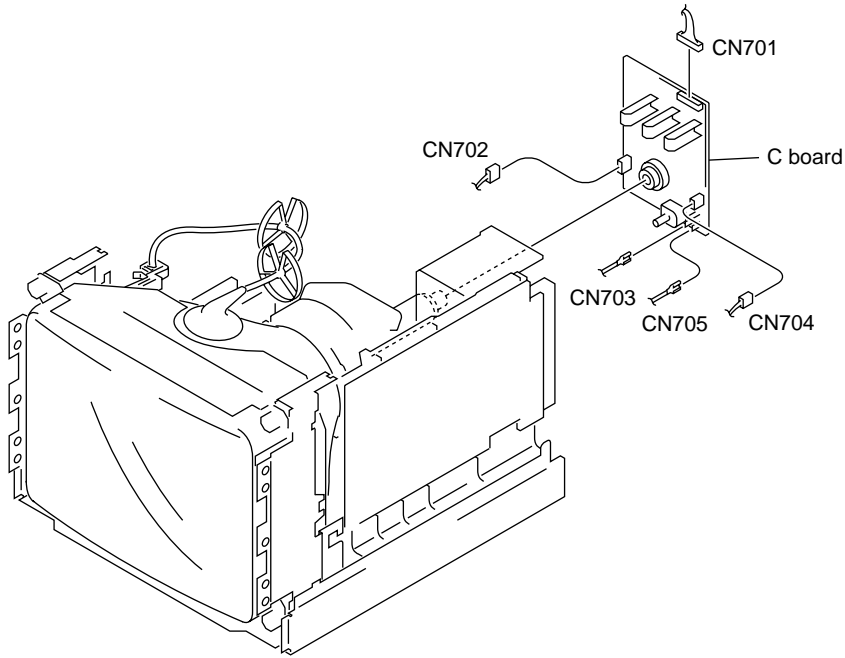
1-2-4. H2 Board Removal (14 inch)



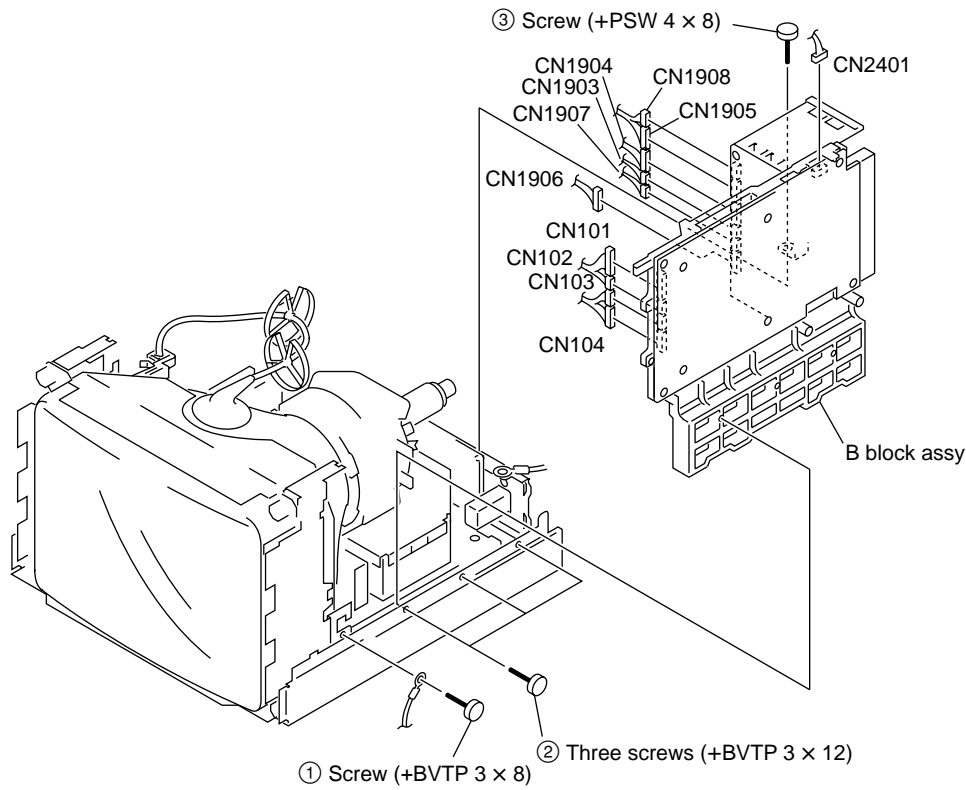
1-2-5. J , D1, D2 and D Boards Removal (14 inch)



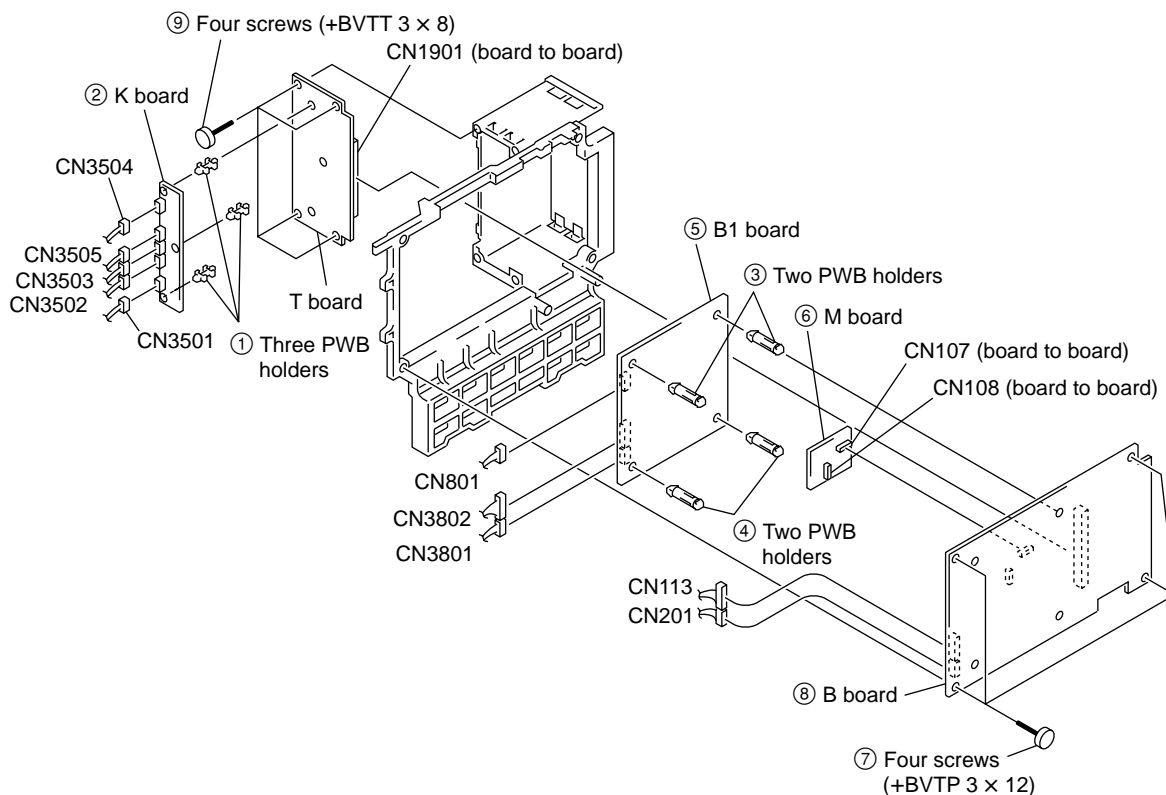
1-2-6. C Board Removal (14 inch)



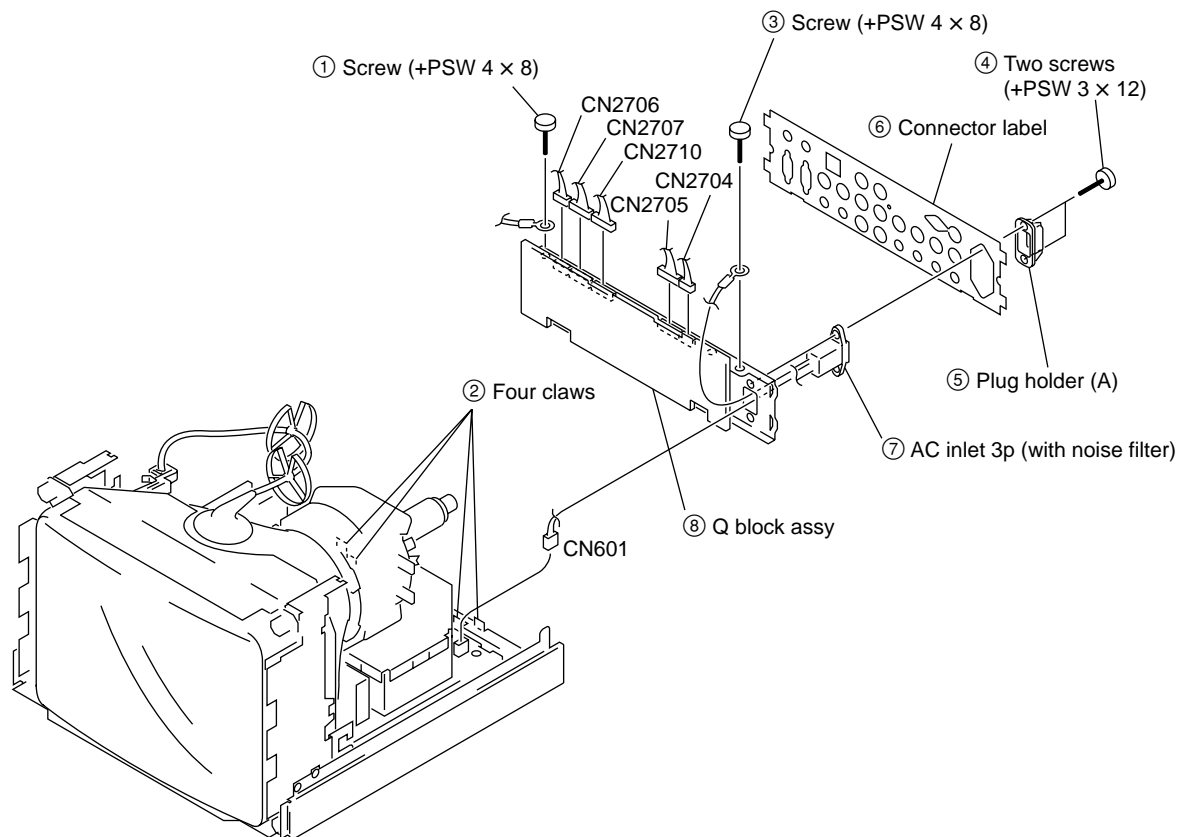
1-2-7. B Block Assy Removal (14 inch)



1-2-8. K, T, B1, M and B Boards Removal (14 inch)



1-2-9. Q Block Assy Removal (14 inch)

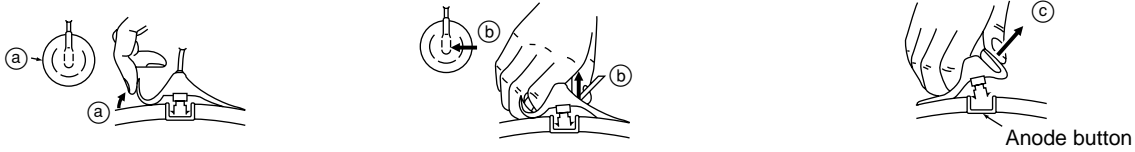


1-2-10. Removal of Anode Cap

Note

Short-circuit the anode of the picture tube and the anode cap to the metal chassis, picture tube shield or carbon painted on the picture tube, after removing the anode.

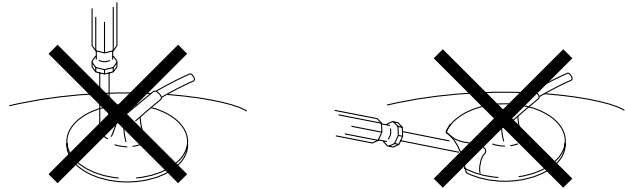
• Removal Procedure



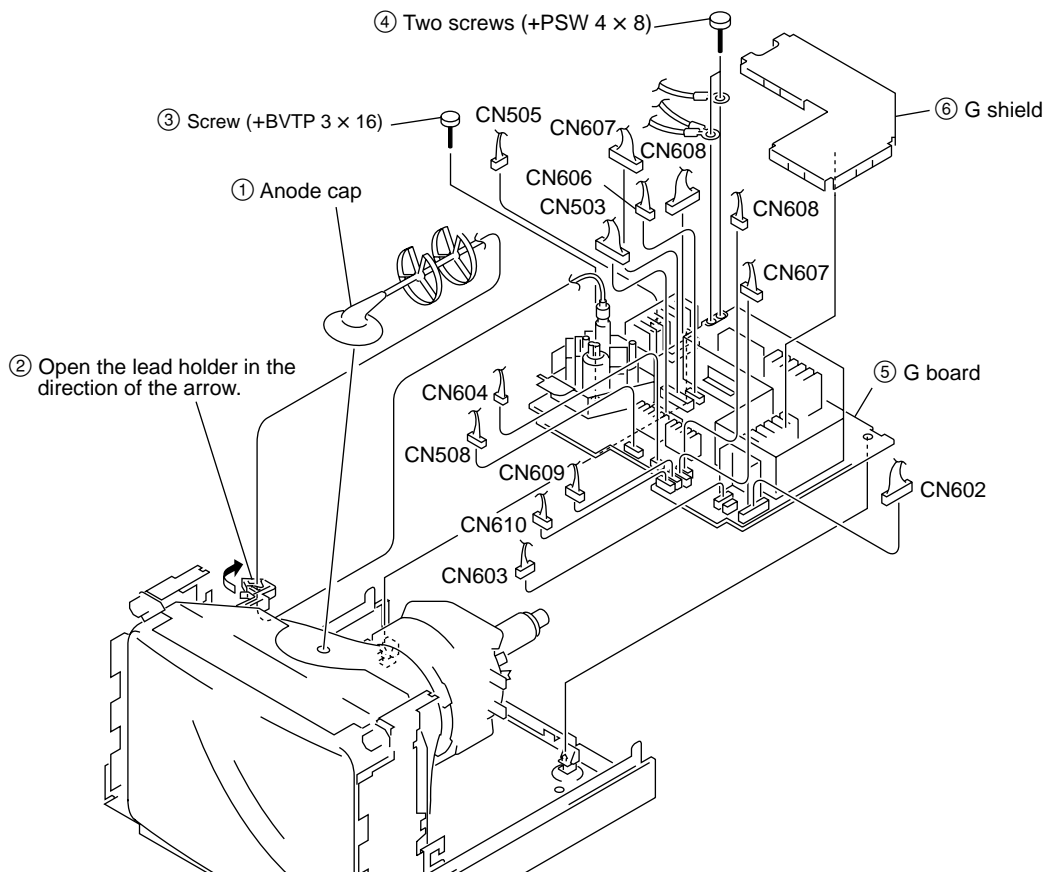
- (1) Turn up one side of the rubber cap in the direction indicated by arrow (a).
- (2) Using a thumb, pull up the rubber cap firmly in the direction indicated by arrow (b).
- (3) When one side of the rubber cap is separated from the anode button, the anode-cap can be removed by turning up the rubber cap and pulling up it in the direction of the arrow (c).

• Handling Precautions

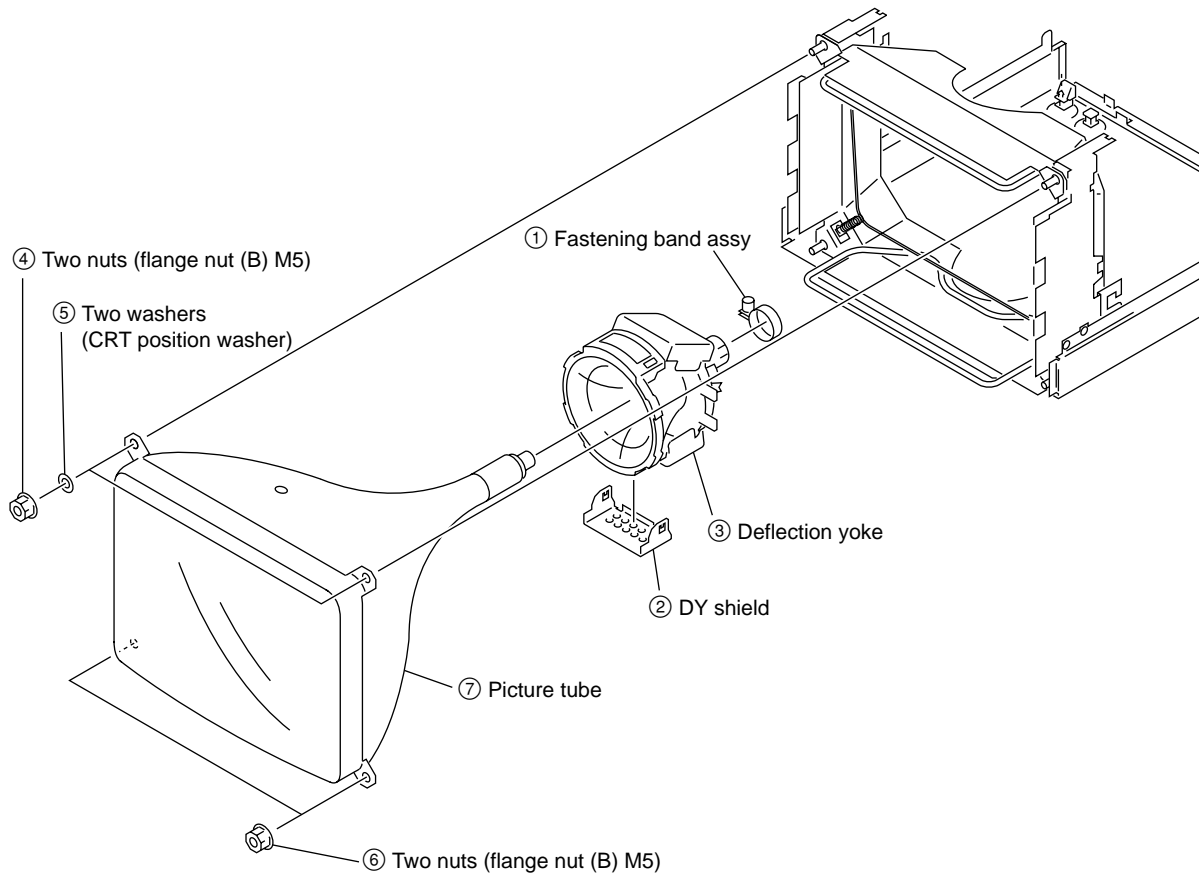
- (1) Do not scratch the surface of anode cap with a sharp object.
- (2) Do not press the rubber so hard that it damages the inside of anode caps. A shatter-hook terminal is built into the rubber.
- (3) Do not turn the foot of the rubber over. The shatter-hook terminal will stick out or damage the rubber.



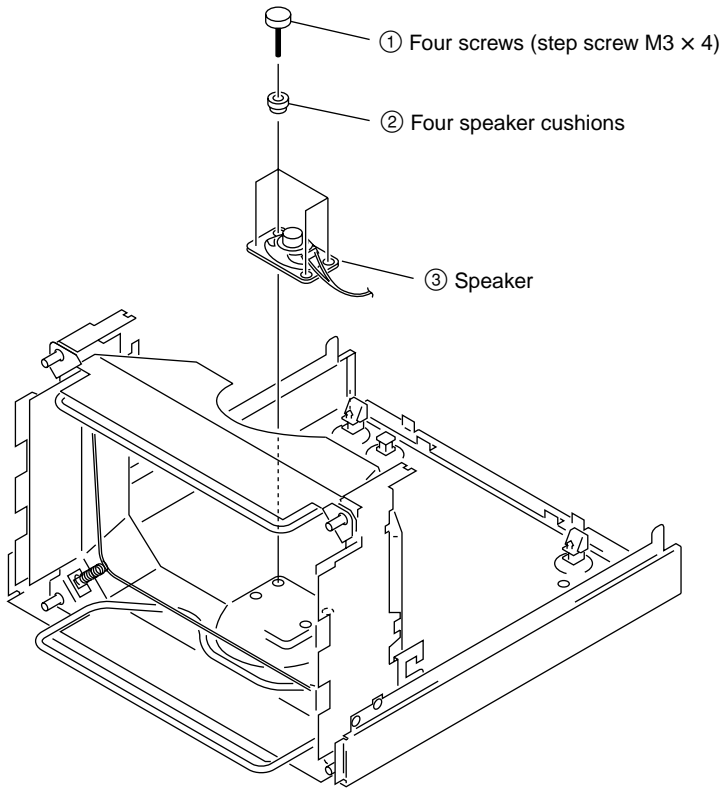
1-2-11. G Board Removal (14 inch)



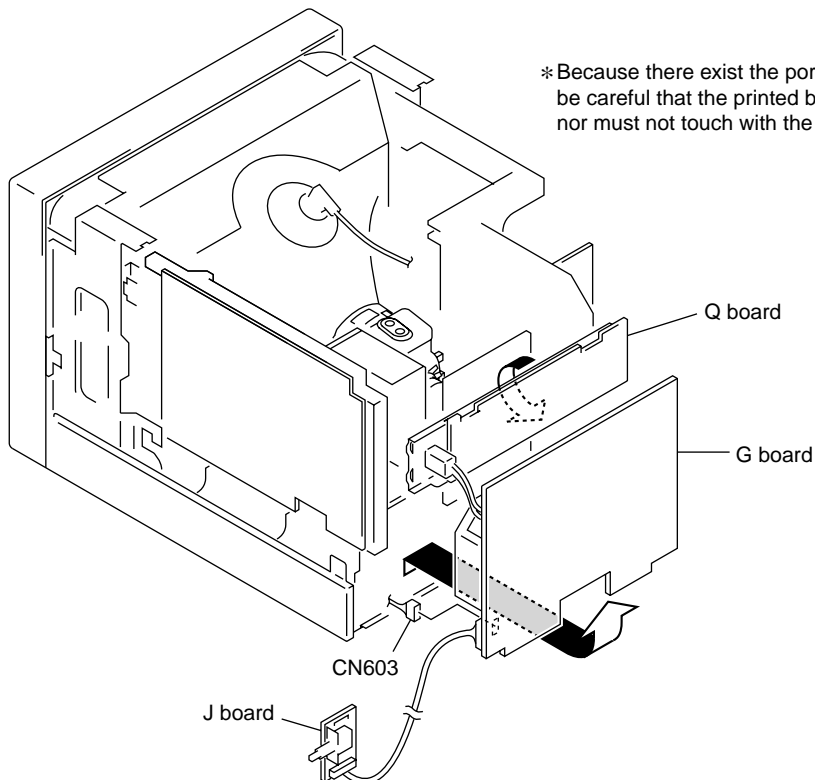
1-2-12. Picture Tube Removal (14 inch)



1-2-13. Speaker Removal (14 inch)

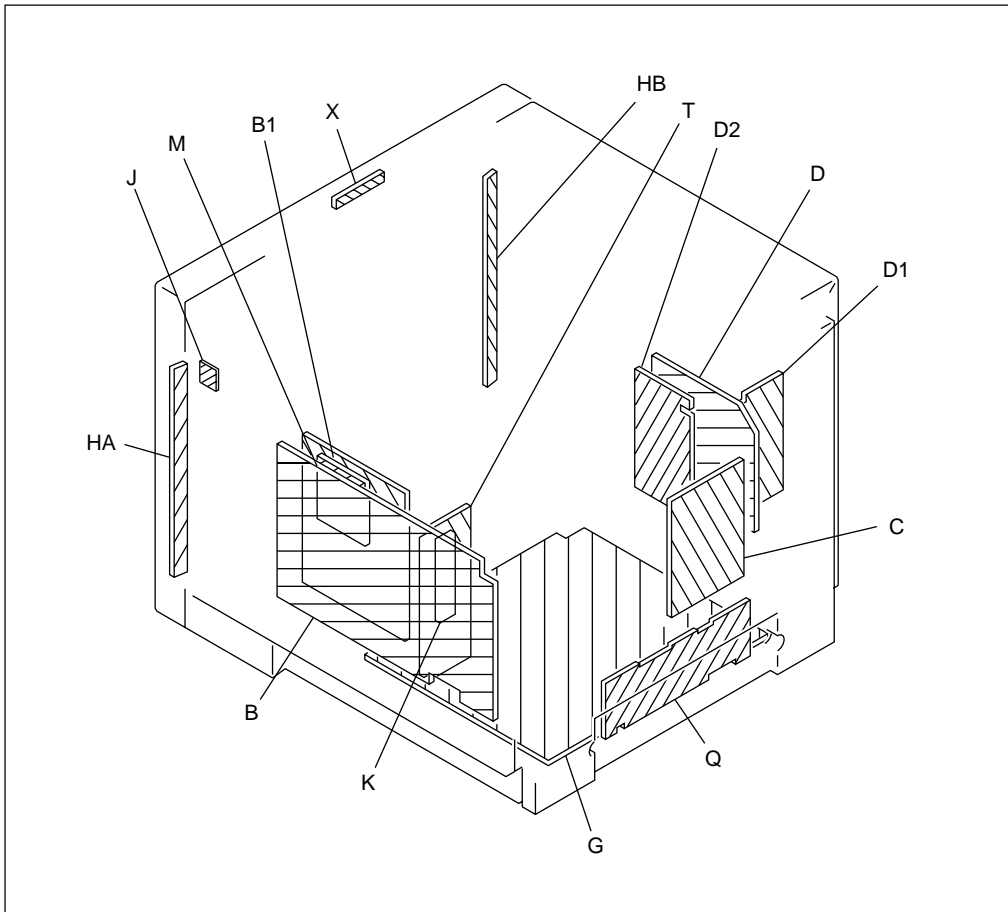


1-2-14. Service Position (14 inch)



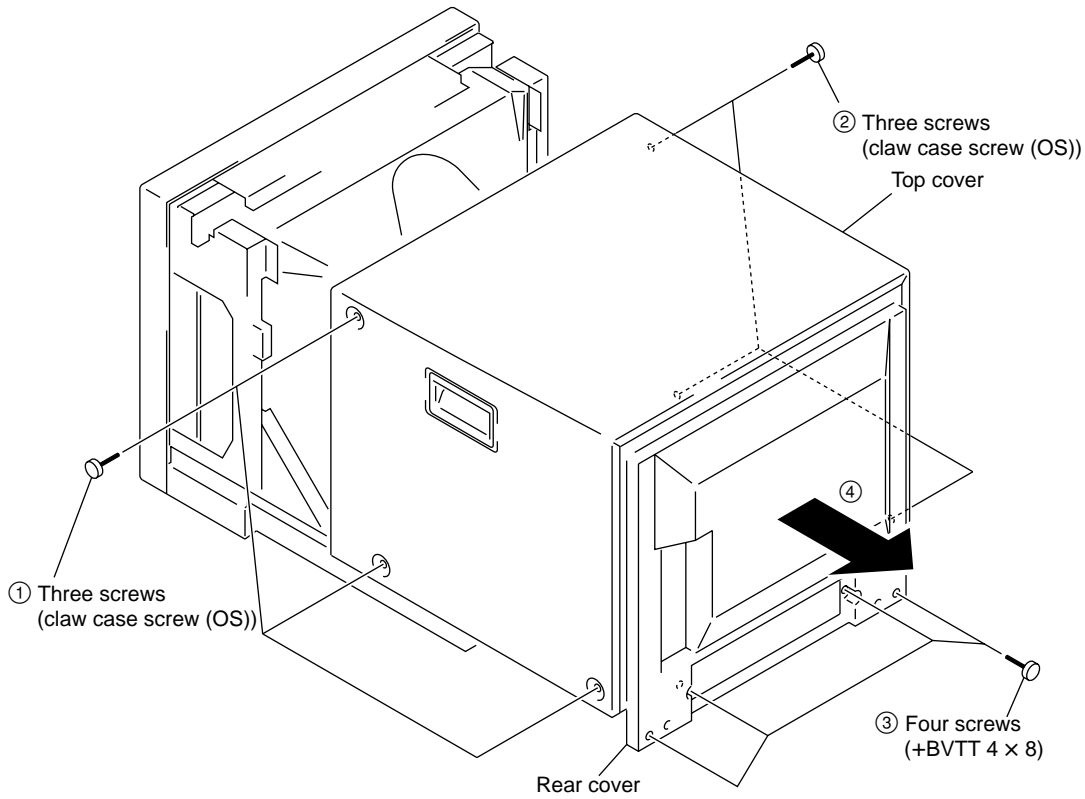
* Because there exist the portions that have the high tension voltage, be careful that the printed boards must not touch each other nor must not touch with the chassis.

1-3. Board Layout (20 inch)

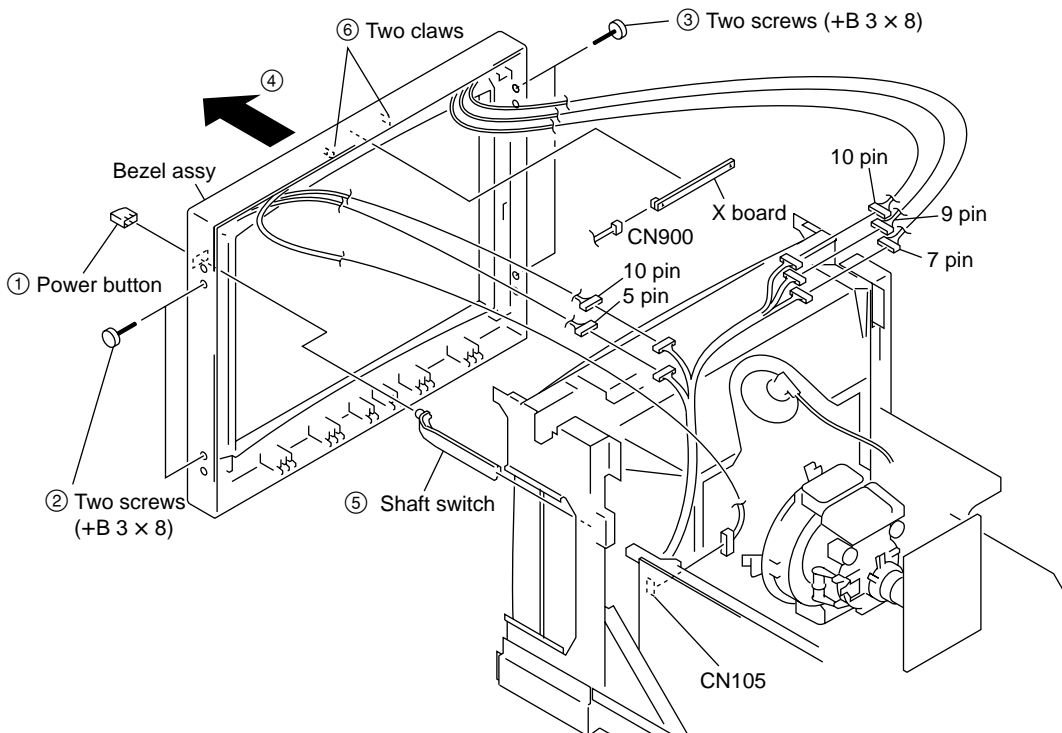


1-4. Disassembly (20 inch)

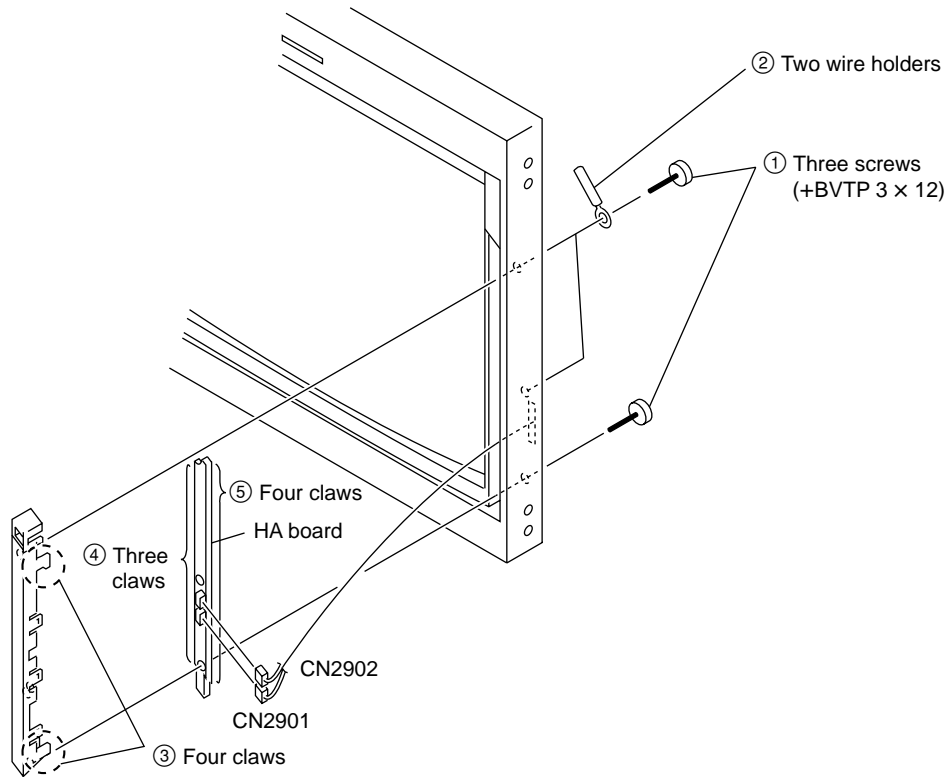
1-4-1. Top Cover Removal (20 inch)



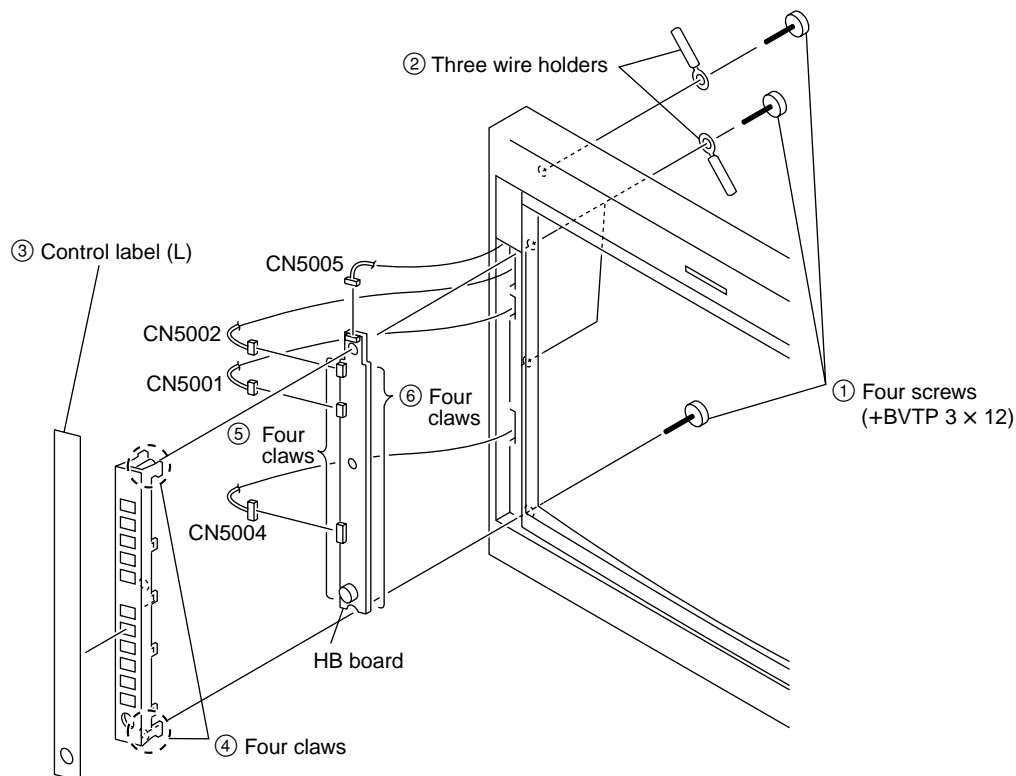
1-4-2. Bezel Assy Removal (20 inch)



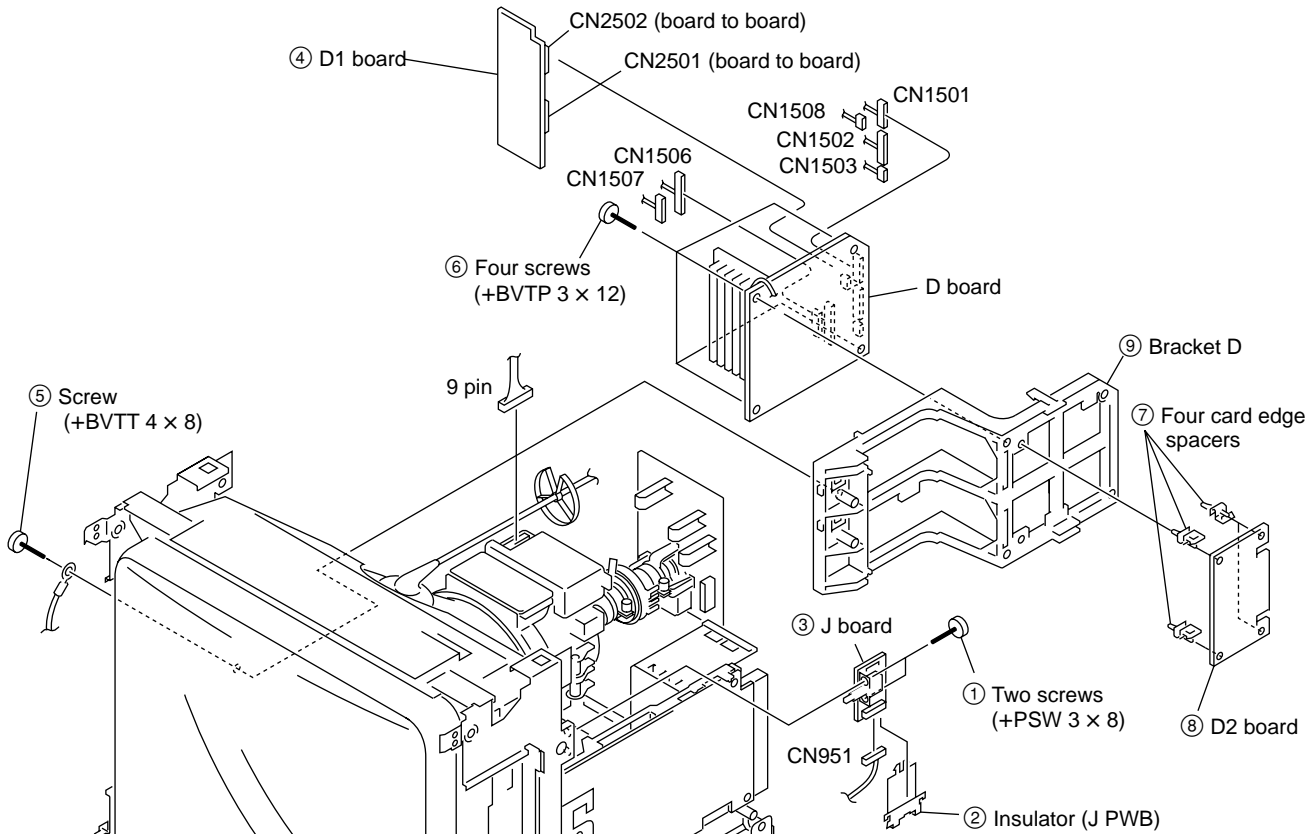
1-4-3. HA Board Removal (20 inch)



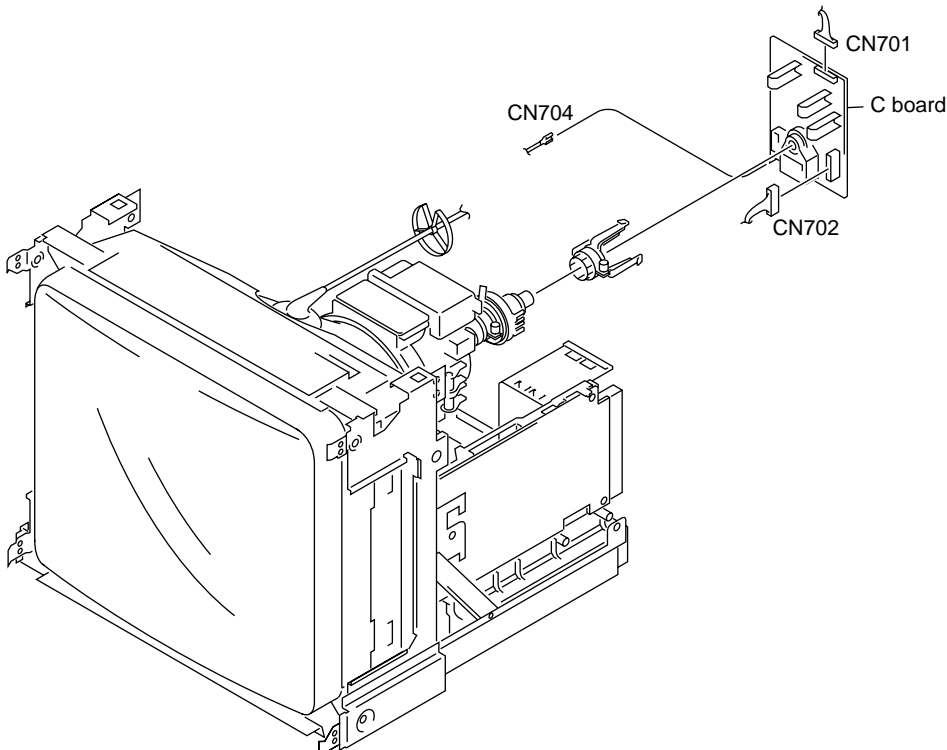
1-4-4. HB Board Removal (20 inch)



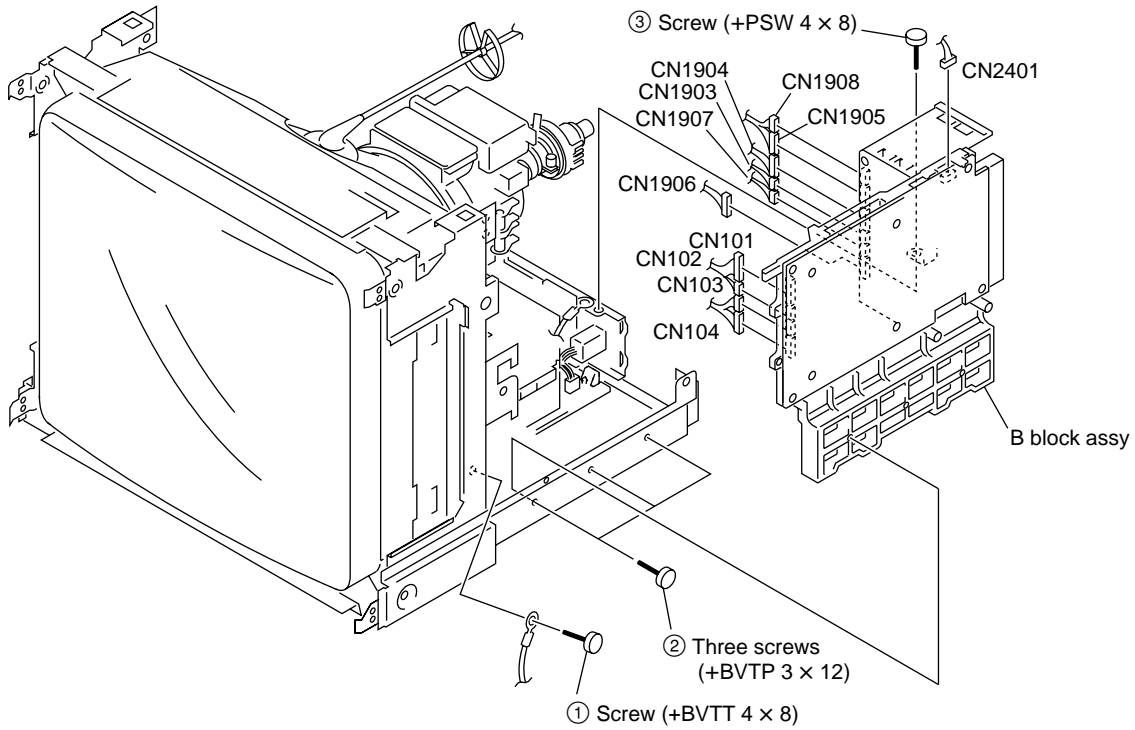
1-4-5. J, D1, D2 and D Boards Removal (20 inch)



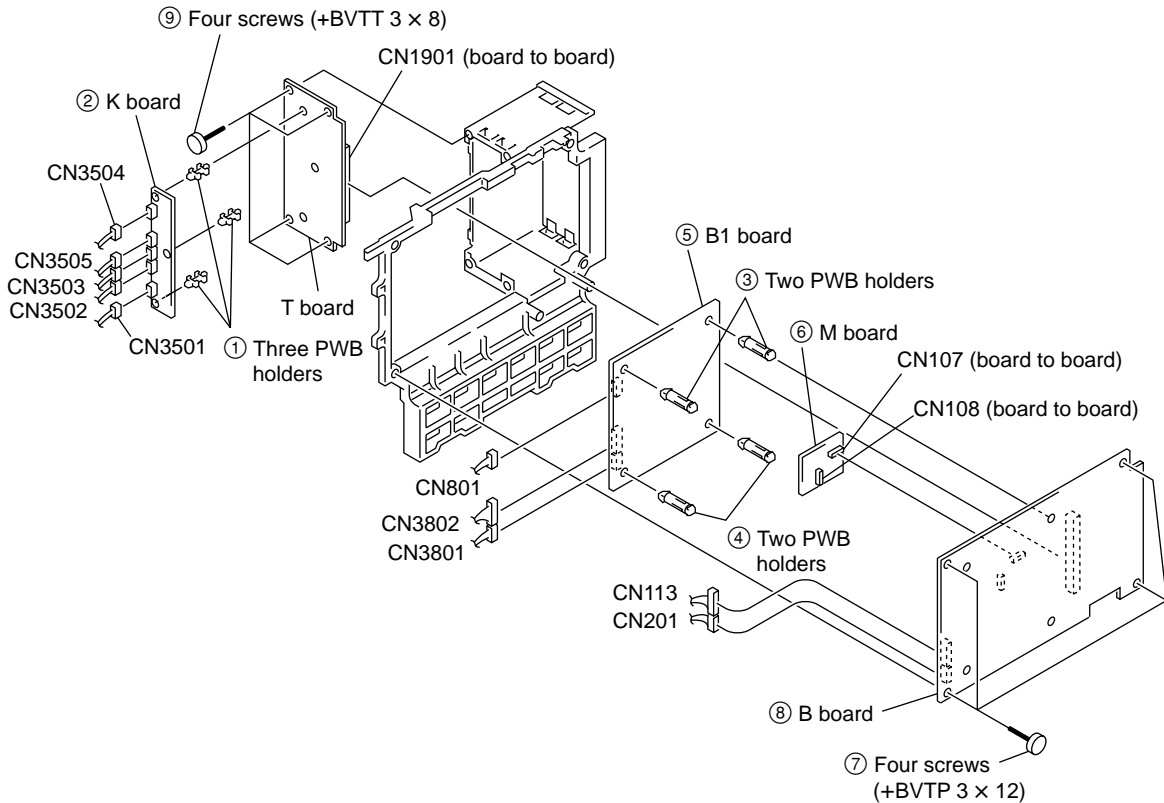
1-4-6. C Board Removal (20 inch)



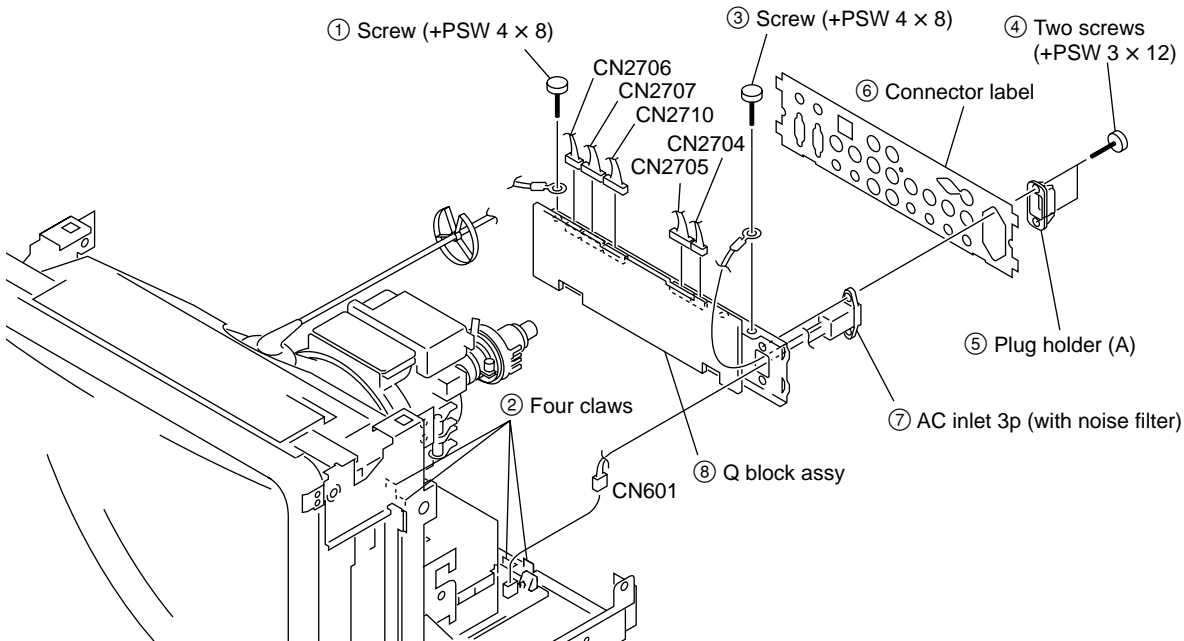
1-4-7. B Block Assy Removal (20 inch)



1-4-8. K, T, B1, M and B Boards Removal (20 inch)



1-4-9. Q Block Assy Removal (20 inch)

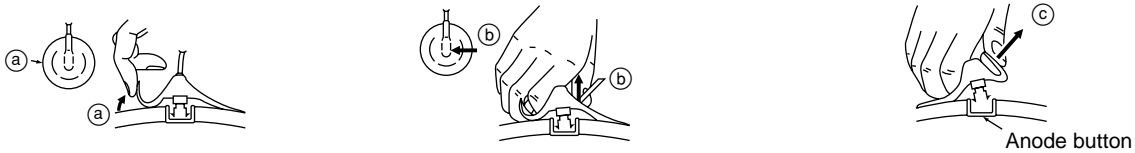


1-4-10. Removal of Anode Cap

Note

Short-circuit the anode of the picture tube and the anode cap to the metal chassis, picture tube shield or carbon painted on the picture tube, after removing the anode.

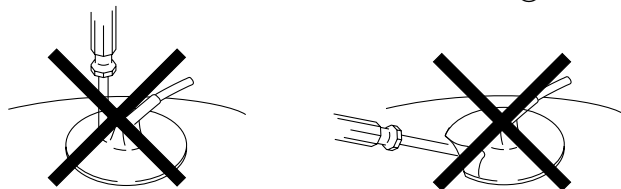
• Removal Procedure



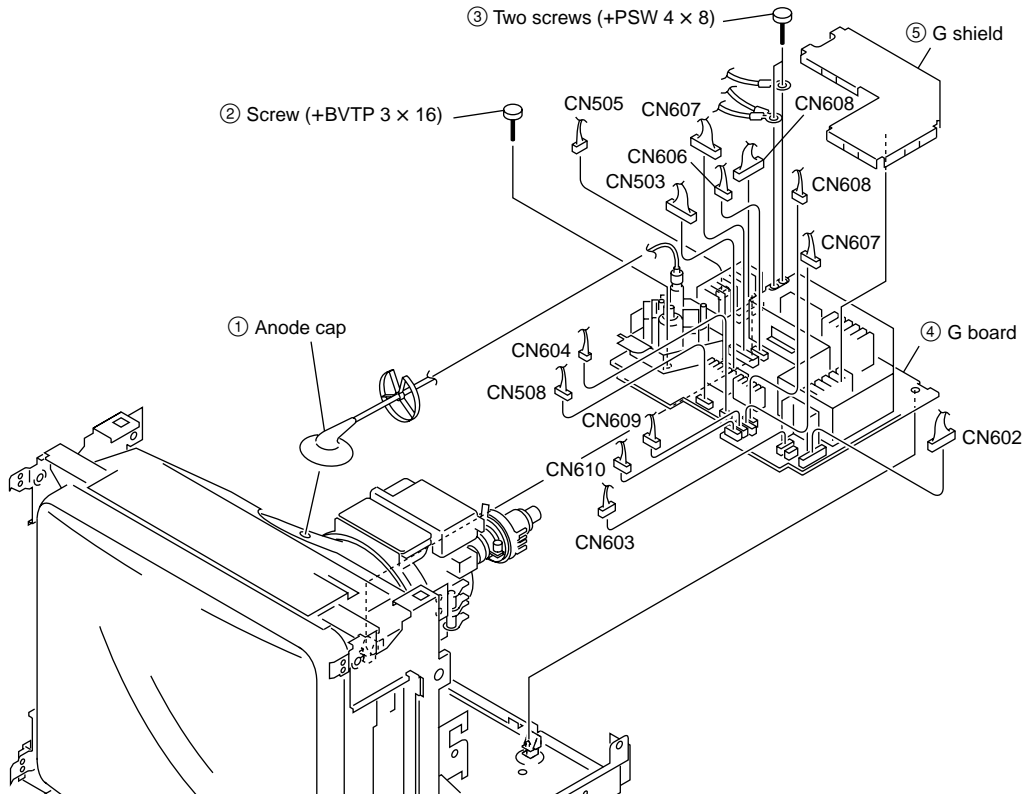
- (1) Turn up one side of the rubber cap in the direction indicated by arrow (a).
- (2) Using a thumb, pull up the rubber cap firmly in the direction indicated by arrow (b).
- (3) When one side of the rubber cap is separated from the anode button, the anode-cap can be removed by turning up the rubber cap and pulling up it in the direction of the arrow (c).

• Handling Precautions

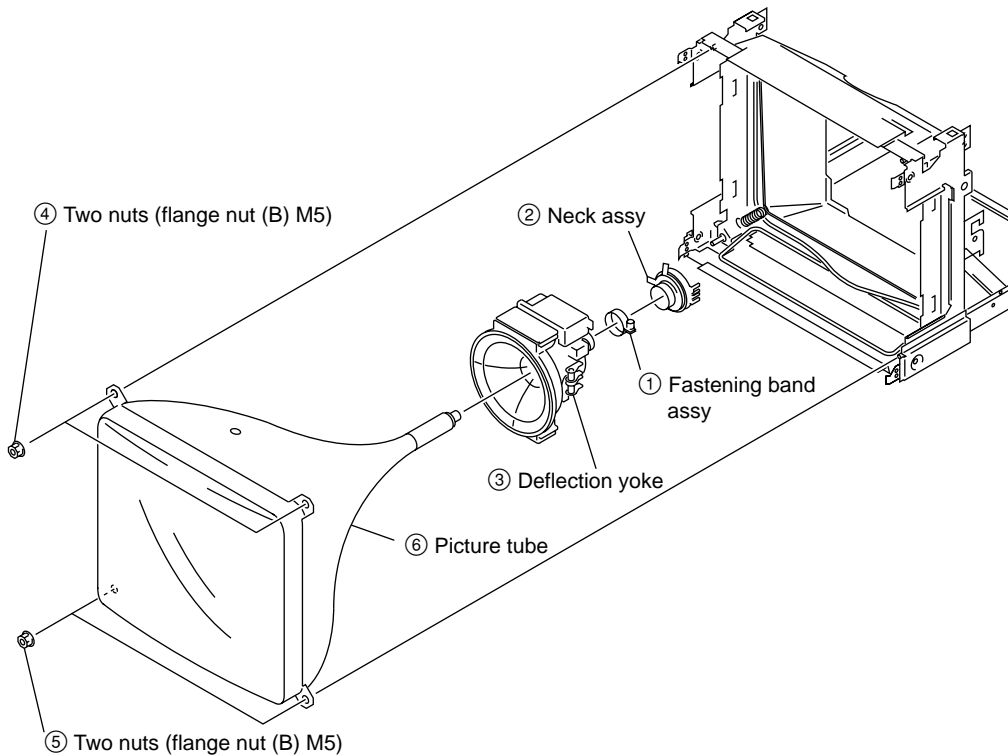
- (1) Do not scratch the surface of anode cap with a sharp object.
- (2) Do not press the rubber so hard that it damages the inside of anode caps. A shatter-hook terminal is built into the rubber.
- (3) Do not turn the foot of the rubber over. The shatter-hook terminal will stick out or damage the rubber.



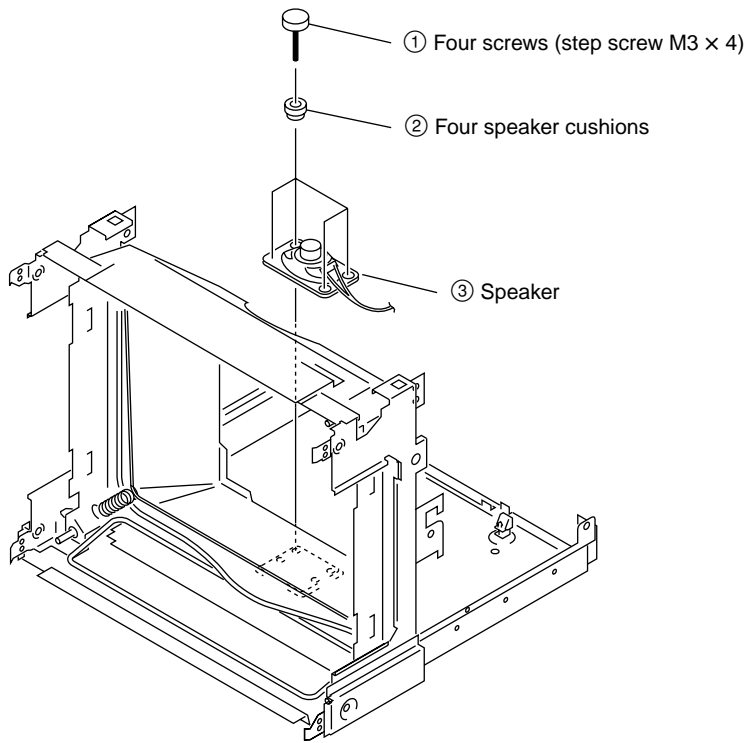
1-4-11. G Board Removal (20 inch)



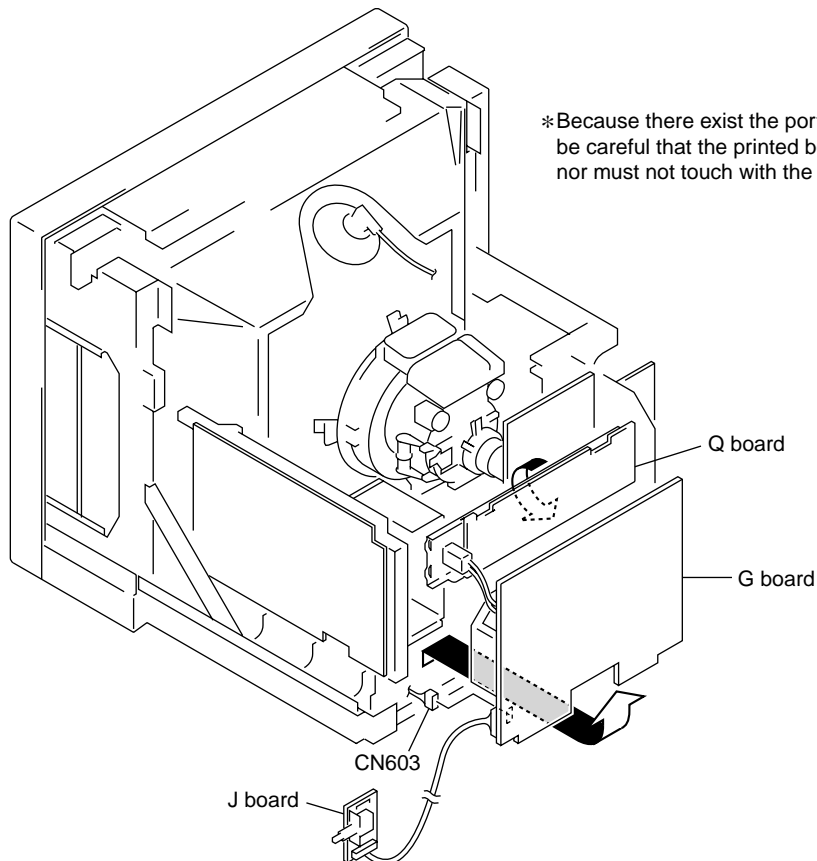
1-4-12. Picture Tube Removal (20 inch)



1-4-13. Speaker Removal (20 inch)



1-4-14. Service Position (20 inch)



Section 2

Set-up Adjustment

2-1. Equipment Required

- Oscilloscope
Sony Tektronix 2465 or equivalent (with bandwidth of 350 MHz)
- NTSC/PAL/SECAM component signal generator
Sony Tektronix TG2000 +AVG1 (option module) +AWVG2 (option module) or equivalent
- SDI signal generator
Sony Tektronix TSG-422
- Monoscope signal generator
ShibaSoku TP22AX or equivalent
- VG (programmable video signal generator)
- VG814 or equivalent
- Frequency counter
Advantest TR5821AK or equivalent
- Digital VOM
Advantest TR6845 or equivalent
- Slide induction transformer
- High tension voltmeter
- DC power supply
- Ammeter
- Luminance meter
Minolta CA-110 or equivalent.
If the Minolta CA-110 is not available, perform the measurement by visual inspection by comparing the monitor that has already been adjusted earlier with the monitor that you want to adjust.

Note

Start the following adjustments after 5 minutes have passed after the main power is turned on.

* In this chapter, indicates the control items in the service mode.

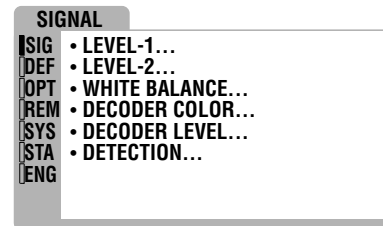
Example :

2-2. Preparations (1)

Service Mode

This set is provided with a switch for service on the front panel that can be used to make various adjustments. The operation method of this switch is explained in detail below.

1. Entering the service mode
Simultaneously press the [ENTER] key and the [DEGAUSS] key shown on the display of the menu.



2. Operating the Service Mode
Select the desired service item with the [UP], [DOWN] key and press the [ENTER] key to enter the adjustment mode.
Press the [UP] key to increase the adjustment value.
Press the [DOWN] key to decrease the adjustment value.
Press the [ENTER] key to save the adjustment value.
Press the [MENU] key to cancel the entry.
3. Finishing the service mode
Simultaneously press the [ENTER] key and the [DEGAUSS] key shown on the display of the menu.
4. Easy ON/OFF of the service mode
If once entering the service mode after having turned on the power, easy ON/OFF is possible by once more pressing the LINE-A, LINE-B, RGB/COMP, OPT-A or OPT-B switch on the front panel (the LED lights) as long as the power is not turned off or as long as the service mode is not finished.

5. Executing FACTROY LOAD

If the adjustment data is damaged or lost by some reasons, you can restore the default factory adjustment data by executing FACTROY LOAD as described below.

Select the following submenus from the Service Menu in the order of : [SYSTEM] → [FACTROY...] → [LOAD...] to read the default factory data. If the default factory data is damaged or the ROM is replaced without executing FACTROY SAVE as described in the following paragraph, you cannot execute FACTROY LOAD.

6. Executing FACTROY SAVE

This operation is to write the FACTROY LOAD data into the factory data area in the memory.

Select the following submenus from the Service Menu in the order of : [SYSTEM] → [MAINTENANCE ID] and type 111. Then select the following submenus from the Service Menu in the order of : [ENGINEER] → [FACTROY SAVE] to write the factory data in the memory. FACTROY SAVE is protected from mis-operation so that FACTROY SAVE cannot be executed unless MAINTENANCE ID is set.

5. If any IC on the B board is replaced, perform all adjustment items of the [SIGNAL] menu and of the [DEFLECTION] menu.

If any IC on the B1 board is replaced, perform the adjustment items of the [SIGNAL] → [DECODER COLOR] and of [DECODER LEVEL] menus.

6. Upon completion of adjustment, select the menus [ENGINEER] → [FACTROY SAVE] to save the adjustment data.

FACTROY SET

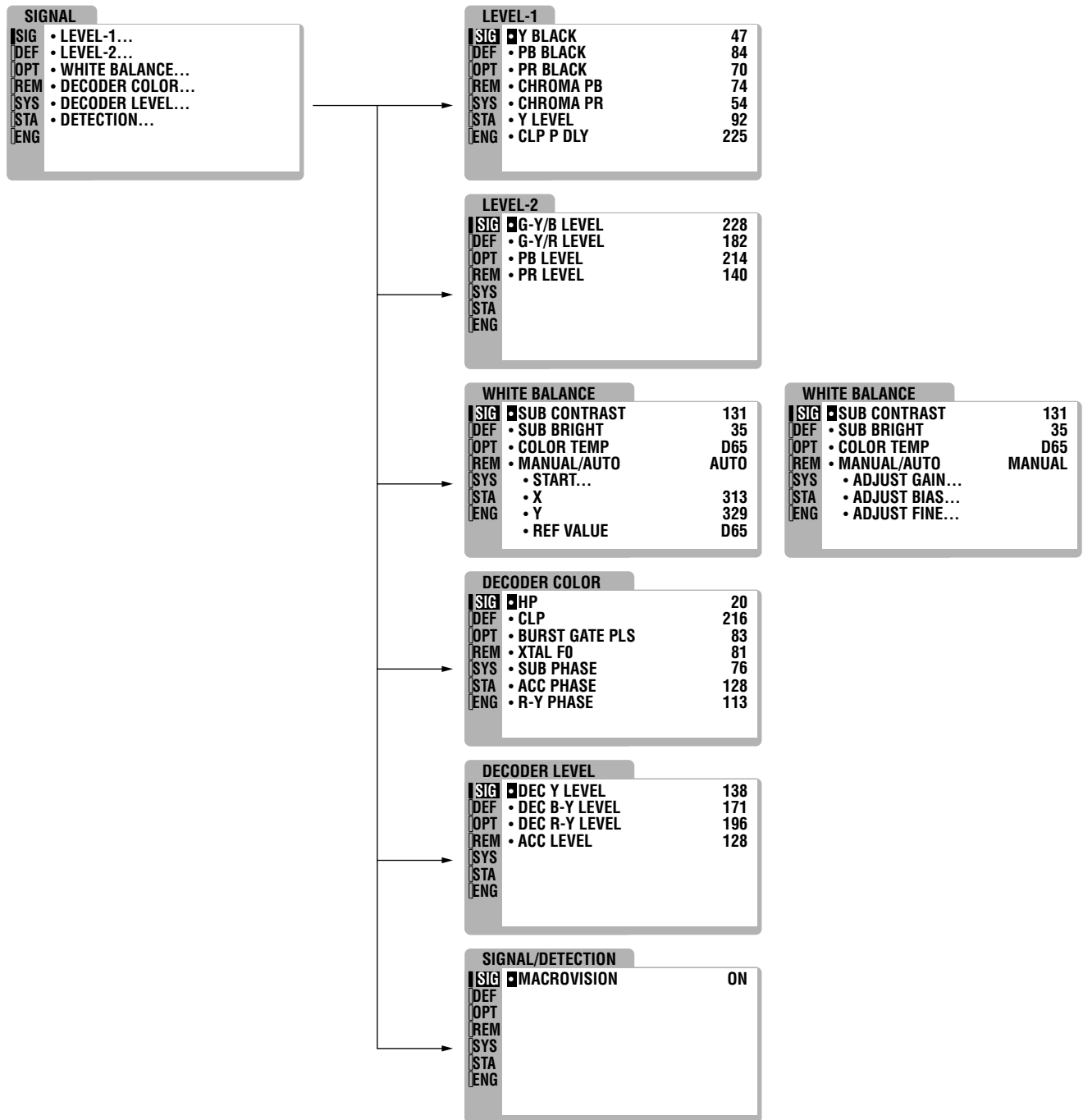
If the following circuit board is replaced or the following NVRAM on the respective board is replaced, perform the following settings.

B board : IC104, IC108, IC109

B1 board: IC4804

1. Select the following submenus from the Service Menu in the order of : [SYSTEM] → [MAINTENANCE ID] and type 111.
2. Select the following submenus from the Service Menu in the order of : [SYSTEM] → [MODEL GRADE] → [MODEL TYPE] and write the model data of each model in the [MODEL TYPE] referring to table 2-4.
3. If the NVRAM on the B board is replaced, select the following submenus from the Service Menu : [ENGINEER] → [CLEAR NVM ON B] and write data.
4. If the NVRAM on the B1 board is replaced, select the following submenus from the Service Menu : [ENGINEER] → [CLEAR NVM ON B1] and write data.

Service Mode screen display



DEFLECTION	
SIG	• FOCUS...
DEF	• RASTER H...
OPT	• RASTER V...
REM	• GEOMETRY...
SYS	
STA	
ENG	

FOCUS

DEFLECTION	
SIG	• H DUTY 25
DEF	• HFV SENSE 62
OPT	• HFV CONTROL 250
REM	• H DF PHASE 34
SYS	• H DF PARA 18
STA	• LANDING 128
ENG	• H PLL LOCK

RASTER H

DEFLECTION	
SIG	• H SIZE 85
DEF	• H CENTER 107
OPT	• H BLK LEFT 215
REM	• H BLK RIGHT 128
SYS	• H BLK R FINE 11
STA	• H POSITION 121
ENG	• MARKER SUB L 84
	• MARKER SUB R 59

H BLK R FINE is adjustable only in 1080/60I and 1035/60I. It is the fixed value in other modes.

RASTER V

DEFLECTION	
SIG	• V SIZE 84
DEF	• V CENTER 142
OPT	• V BLK TOP 82
REM	• V BLK BOTTOM 196
SYS	• OSD TIMING 0
STA	
ENG	

GEOMETRY

DEFLECTION	
SIG	• V S LIN 13
DEF	• V C LIN 24
OPT	• TRAPEZOID 28
REM	• SIDE PIN 36
SYS	• SIDE PIN W 32
STA	• SIDE PIN BAL 16
ENG	• PARA CONTROL 16
	• SIDE PIN S 24

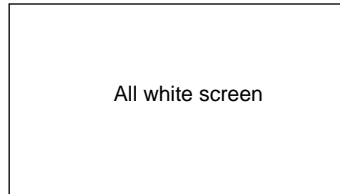
REMOTE	
SIG	SERIAL
DEF	• BAUDRATE 38400
OPT	• STOPBIT 2BIT
REM	• PARITY EVEN
SYS	
STA	
ENG	

SYSTEM		
SIG	VERSION	1.3
DEF	• MODEL GRADE	L4/L3
OPT	• MODEL TYPE	E14
REM	• W/B DESCRIPTION...	
SYS	• AGING MODE	
STA	• FACTORY...	
ENG	• SIGNAL...	
	• MAINTENANCE ID	0

W/B DESCRIPTION

SYSTEM		
SIG	COL1	65
DEF	• COL2	93
OPT		
REM		
SYS		
STA		
ENG		

AGING MODE



To return to the original screen, press the button of the input selector illuminating in orange.

SYSTEM		
SIG	VERSION	1.3
DEF	• MODEL GRADE	L4/L3
OPT	• MODEL TYPE	E14
REM	• W/B DESCRIPTION...	
SYS	• AGING MODE	
STA	• FACTORY...	
ENG	• SIGNAL...	
	• MAINTENANCE ID	0

FACTORY

SYSTEM		
SIG	LOAD...	
DEF		
OPT	• STANDARD...	
REM		
SYS		
STA		
ENG		

LOAD cannot be selected and remains in the blue display unless the NVM data is valid. In such a case, clear the NVM and make the NVM data valid first. However, if the default factory data is damaged, or if the FACTORY SET process is not executed after ROM is replaced, LOAD cannot be executed. STANDARD returns the various setups of the user menu to the default factory setting.

SIGNAL

SYSTEM		
SIG	1080/48I	OFF
DEF	• 720/50P	OFF
OPT		
REM		
SYS		
STA		
ENG		

When OFF, 1080/48I is identified as NO SYNC.
When OFF, 720/50P is identified as NO SYNC.

STATUS		
SIG	ADJUST ERROR	0
DEF	ABNORMAL I2C	0
OPT		
REM	NVM BOARD B	OK
SYS	NVM BOARD B1	OK
STA		
ENG		

ENGINEER 1/3		
SIG	<input checked="" type="checkbox"/> AUSP SAMPLE POS	OFF
DEF		
OPT	• FACTORY SAVE...	
REM		
SYS	• CLEAR NVM ON B...	
STA	• CLEAR NVM ON B1...	
ENG		

ENGINEER 2/3		
SIG	<input checked="" type="checkbox"/> DATA REFRESH	ON
DEF	• SREM RAW DATA	OFF
OPT	• OSDLIMIT	OFF
REM	• 4:3MARKER LIMIT	OFF
SYS	• AWB ANA VALUE	OFF
STA	• INTERNAL SIGNAL	0
ENG		

ENGINEER 3/3		
SIG	<input checked="" type="checkbox"/> H SYNC COUNT	HIDE
DEF	• MENU DOTCLOCK	231
OPT	• MENU H POS	14
REM	• BLK DOTCLOCK	231
SYS	• BLK H POS	8
STA	• OPTION BOARD ID	255
ENG		

OPTION (BKM-129X)

OPTION		
SIG	BKM-129X	
DEF		
OPT		
REM		
SYS		
STA		
ENG		

OPTION (BKM-120D)

OPTION		
SIG	BKM-120D (1/3)	
DEF	• OE	1
OPT	• P SAVE	0
REM	• DISPLAY	1
SYS	• D A	0
STA	• D B	1
ENG	• H BLK1	0

OPTION		
SIG	BKM-120D (2/3)	
DEF	• CCP P	137
OPT	• DA FV	84
REM	• DB FV	109
SYS	• Y LEVEL	82
STA	• PB LEVEL	71
ENG	• PR LEVEL	74

OPTION		
SIG	BKM-120D (3/3)	
DEF	• YB2	0
OPT	• YW0	0
REM	• YW1	0
SYS		
STA		
ENG		

OPTION (BKM-142HD)

OPTION		
SIG	BKM-142HD 1/5	
DEF	• 1125/60I SYS	AUTO
OPT	• OE	1
REM	• P SAVE	0
SYS	• DISPLAY	0
STA	• IN1	0
ENG	• IN2	0

OPTION		
SIG	BKM-142HD 2/5	
DEF	• YPBPR	1
OPT	• H BLK1	240
REM	• H SUB	128
SYS	• Y LEVEL	120
STA	• PB LEVEL	22
ENG	• PR LEVEL	28

OPTION		
SIG	BKM-142HD 3/5	
DEF	• SYSTA0	0
OPT	• SYSTA1	1
REM	• P0	1
SYS	• P1	1
STA	• P2	0
ENG	• P3	1

OPTION		
SIG	BKM-142HD 4/5	
DEF	• STRB	1
OPT	• SYCS1	1
REM	• SYCS2	0
SYS	• SYIF0	1
STA	• SYIF1	1
ENG	• SYIF2	1

OPTION		
SIG	BKM-142HD 5/5	
DEF	• SYIF3	1
OPT	• SYIF4	0
REM	• SYIF5	0
SYS	• SYIF6	0
STA	• SYIF7	0
ENG		

OPTION (BKM-150CP)

OPTION		
SIG	BKM-150CP (1/4)	
DEF	• OE	0
OPT	• P SAVE	0
REM	• DISPLAY	1
SYS	• D A	0
STA	• D B	1
ENG	• H BLK1	0



OPTION		
SIG	BKM-150CP (2/4)	
DEF	• CCP P	110
OPT	• DA FV	80
REM	• DB FV	80
SYS	• Y LEVEL	85
STA	• PB LEVEL	110
ENG	• PR LEVEL	105



OPTION		
SIG	BKM-150CP (3/4)	
DEF	• SDTI SW	0
OPT	• TC MODE 0	0
REM	• TC MODE 1	0
SYS	• TC MODE 2	0
STA	• AUDIO MUTE	0
ENG		



OPTION		
SIG	BKM-150CP (4/4)	
DEF	• AUDIO GRP 0	1
OPT	• AUDIO GRP 1	1
REM	• AUDIO CH 0	0
SYS	• AUDIO CH 1	1
STA	• AUDIO MIX	1
ENG	• AUDIO MONO L	0
	• AUDIO MONO R	1

OPTION (BKM-126M)

OPTION		
SIG	BKM-126M (1/4)	
DEF	• OE	0
OPT	• V B	1
REM	• V C	1
SYS	• BYPASS SW	OFF
STA	• COMB SW	ON
ENG	• ACC SW	ON



OPTION		
SIG	BKM-126M (2/4)	
DEF	• PAL S SW	S
OPT	• APT SW	OFF
REM	• PCD SW	OFF
SYS	• PAL SW	ON
STA	• KILLER	0
ENG		



OPTION		
SIG	BKM-126M (3/4)	
DEF	• Y LEVEL	127
OPT	• PB LEVEL	127
REM	• PR LEVEL	127
SYS	• PHASE	127
STA	• SUB PHASE	127
ENG	• BGP W	127
	• ACC LEVEL	127



OPTION		
SIG	BKM-126M (4/4)	
DEF	• APT LEVEL	127
OPT	• CLP W	127
REM	• R-Y PHASE	127
SYS	• ACC PHASE	127
STA	• FO	127
ENG		

Name	Description	Inch20	Inch14
HFV_SENS	Horizontal frequency 15K	27	42
	Horizontal frequency 27K	37	25
	Horizontal frequency 28K	37	25
	Horizontal frequency 31K	36	33
	Horizontal frequency 33K	4	26
	Horizontal frequency 37K	26	16
	Horizontal frequency 45K	26	17
HFV_CONTROL	Horizontal frequency 15K	249	250
	Horizontal frequency 27K	200	200
	Horizontal frequency 28K	200	200
	Horizontal frequency 31K	180	188
	Horizontal frequency 33K	177	177
	Horizontal frequency 37K	160	160
	Horizontal frequency 45K	128	128
H_SIZE	480/60I NORMAL	74	95
	480/60I UNDER	49	71
	575/50I NORMAL	78	102
	575/50I UNDER	56	79
	1080/48I NORMAL	77	106
	1080/48I UNDER	55	82
	1080/50I NORMAL	77	106
	1080/50I UNDER	55	82
	480/60P NORMAL	46	74
	480/60P UNDER	32	50
	576/50P NORMAL	54	81
	576/50P UNDER	34	56
	1080/60I 1035/60I NORMAL	41	64
	1080/60I 1035/60I UNDER	21	44
	720/50P NORMAL	41	64
	720/50P UNDER	21	44
	720/60P NORMAL	53	75
720/60P UNDER	30	51	
H_CENT	480/60I	100	107
	575/50I	100	107
	1080/48I	100	107
	1080/50I	100	107
	480/60P	100	107
	576/50P	100	107
	1080/60I 1035/60I NORMAL	100	107
	1080/60I 1035/60I UNDER	100	107
	720/50P	100	107
	720/60P	100	107

Name	Description	Inch20	Inch14
H_POSITION	480/60I	82	85
	575/50I	74	77
	1080/48I	64	70
	1080/50I	64	70
	480/60P	83	89
	576/50P	80	85
	1080/60I 1035/60I NORMAL	92	101
	1080/60I 1035/60I UNDER	92	101
	720/50P	79	86
	720/60P	79	86
SIDE_PINBAL	480/60I 4:3 NORMAL	18	19
	480/60I 4:3 UNDER	18	23
	480/60I 16:9 NORMAL	14	18
	480/60I 16:9 UNDER	18	19
	575/50I 4:3 NORMAL	14	15
	575/50I 4:3 UNDER	16	15
	575/50I 16:9 NORMAL	16	15
	575/50I 16:9 UNDER	16	17
	1080/48I NORMAL	16	17
	1080/48I UNDER	16	14
	1080/50I NORMAL	16	17
	1080/50I UNDER	16	14
	480/60P 4:3 NORMAL	15	13
	480/60P 4:3 UNDER	16	16
	480/60P 16:9 NORMAL	15	14
	480/60P 16:9 UNDER	16	14
	575/50P 4:3 NORMAL	15	16
	575/50P 4:3 UNDER	15	15
	575/50P 16:9 NORMAL	16	14
	575/50P 16:9 UNDER	15	16
PARAM_CONTROL	1035/60I NORMAL	14	15
	1035/60I UNDER	16	14
	1080/60I NORMAL	14	15
	1080/60I UNDER	16	14
	720/50P NORMAL	15	14
	720/50P UNDER	15	15
	720/60P NORMAL	15	14
	720/60P UNDER	15	15
	480/60I 4:3 NORMAL	13	14
	480/60I 4:3 UNDER	14	15
PARAM_CONTROL	480/60I 16:9 NORMAL	14	15
	480/60I 16:9 UNDER	14	15
	575/50I 4:3 NORMAL	11	16

Name	Description	Inch20	Inch14
PARA_CONTROL	575/50I 4:3 UNDER	12	15
	575/50I 16:9 NORMAL	13	17
	575/50I 16:9 UNDER	14	16
	1080/48I NORMAL	15	16
	1080/48I UNDER	15	17
	1080/50I NORMAL	15	16
	1080/50I UNDER	15	17
	480/60P 4:3 NORMAL	15	16
	480/60P 4:3 UNDER	14	16
	480/60P 16:9 NORMAL	14	15
	480/60P 16:9 UNDER	14	15
	575/50P 4:3 NORMAL	15	15
	575/50P 4:3 UNDER	16	17
	575/50P 16:9 NORMAL	16	17
	575/50P 16:9 UNDER	16	16
	1035/60I NORMAL	14	17
	1035/60I UNDER	16	17
	1080/60I NORMAL	14	17
	1080/60I UNDER	16	17
	720/50P NORMAL	15	16
	720/50P UNDER	15	16
	720/60P NORMAL	15	16
	720/60P UNDER	15	16
	SIDE_PIN_W	480/60I 4:3 NORMAL	31
480/60I 4:3 UNDER		31	31
480/60I 16:9 NORMAL		31	31
480/60I 16:9 UNDER		31	31
575/50I 4:3 NORMAL		31	31
575/50I 4:3 UNDER		31	31
575/50I 16:9 NORMAL		31	31
575/50I 16:9 UNDER		31	31
1080/48I NORMAL		31	31
1080/48I UNDER		31	31
1080/50I NORMAL		31	31
1080/50I UNDER		31	31
480/60P 4:3 NORMAL		31	31
480/60P 4:3 UNDER		31	31
480/60P 16:9 NORMAL		31	31
480/60P 16:9 UNDER		31	31
575/50P 4:3 NORMAL		31	31
575/50P 4:3 UNDER		31	31
575/50P 16:9 NORMAL		31	31
575/50P 16:9 UNDER		31	31

Name	Description	Inch20	Inch14	
SIDE_PIN_W	1035/60I NORMAL	31	31	
	1035/60I UNDER	25	31	
	1080/60I NORMAL	31	31	
	1080/60I UNDER	25	31	
	720/50P NORMAL	31	31	
	720/50P UNDER	25	31	
	720/60P NORMAL	31	31	
	720/60P UNDER	25	31	
	SIDE_PIN	480/60I 4:3 NORMAL	15	28
		480/60I 4:3 UNDER	18	31
480/60I 16:9 NORMAL		37	42	
480/60I 16:9 UNDER		37	40	
575/50I 4:3 NORMAL		18	31	
575/50I 4:3 UNDER		19	30	
575/50I 16:9 NORMAL		37	41	
575/50I 16:9 UNDER		37	43	
1080/48I NORMAL		34	41	
1080/48I UNDER		36	42	
1080/50I NORMAL		34	41	
1080/50I UNDER		36	42	
480/60P 4:3 NORMAL		14	27	
480/60P 4:3 UNDER		17	26	
480/60P 16:9 NORMAL		35	41	
480/60P 16:9 UNDER		37	41	
575/50P 4:3 NORMAL		17	28	
575/50P 4:3 UNDER		17	29	
575/50P 16:9 NORMAL		35	42	
575/50P 16:9 UNDER		35	43	
1035/60I NORMAL	35	41		
1035/60I UNDER	38	42		
1080/60I NORMAL	35	41		
1080/60I UNDER	38	42		
720/50P NORMAL	35	42		
720/50P UNDER	38	43		
720/60P NORMAL	35	42		
720/60P UNDER	38	43		
SIDE_PIN_S	480/60I 4:3 NORMAL	19	31	
	480/60I 4:3 UNDER	22	31	
	480/60I 16:9 NORMAL	19	31	
	480/60I 16:9 UNDER	25	31	
	575/50I 4:3 NORMAL	25	31	
	575/50I 4:3 UNDER	26	31	
	575/50I 16:9 NORMAL	27	31	

Name	Description	Inch20	Inch14
SIDE_PIN_S	575/50I 16:9 UNDER	29	31
	1080/48I NORMAL	23	31
	1080/48I UNDER	27	28
	1080/50I NORMAL	23	31
	1080/50I UNDER	27	28
	480/60P 4:3 NORMAL	28	29
	480/60P 4:3 UNDER	27	31
	480/60P 16:9 NORMAL	31	29
	480/60P 16:9 UNDER	31	27
	575/50P 4:3 NORMAL	26	24
	575/50P 4:3 UNDER	27	27
	575/50P 16:9 NORMAL	31	26
	575/50P 16:9 UNDER	31	27
	1035/60I NORMAL	3	31
	1035/60I UNDER	29	31
	1080/60I NORMAL	31	31
	1080/60I UNDER	29	31
	720/50P NORMAL	28	31
	720/50P UNDER	40	34
	720/60P NORMAL	28	31
720/60P UNDER	40	34	
TRAPEZOID	480/60I 4:3 NORMAL	29	27
	480/60I 4:3 UNDER	31	28
	480/60I 16:9 NORMAL	31	29
	480/60I 16:9 UNDER	31	29
	575/50I 4:3 NORMAL	31	26
	575/50I 4:3 UNDER	31	26
	575/50I 16:9 NORMAL	33	31
	575/50I 16:9 UNDER	30	31
	1080/48I NORMAL	32	29
	1080/48I UNDER	33	28
	1080/50I NORMAL	32	29
	1080/50I UNDER	33	28
	480/60P 4:3 NORMAL	26	27
	480/60P 4:3 UNDER	31	28
	480/60P 16:9 NORMAL	31	29
	480/60P 16:9 UNDER	27	26
	575/50P 4:3 NORMAL	28	26
	575/50P 4:3 UNDER	32	24
	575/50P 16:9 NORMAL	30	27
	575/50P 16:9 UNDER	26	25
1035/60I NORMAL	24	29	
1035/60I UNDER	23	26	

Name	Description	Inch20	Inch14
TRAPEZOID	1080/60I NORMAL	28	29
	1080/60I UNDER	29	26
	720/50P NORMAL	30	26
	720/50P UNDER	27	26
	720/60P NORMAL	30	26
	720/60P UNDER	27	26
	V_SIZE	480/60I 4:3 NORMAL	40
480/60I 4:3 UNDER		0	51
480/60I 16:9 NORMAL		51	102
480/60I 16:9 UNDER		10	58
575/50I 4:3 NORMAL		51	100
575/50I 4:3 UNDER		0	51
575/50I 16:9 NORMAL		51	108
575/50I 16:9 UNDER		11	62
1080/48I NORMAL		19	83
1080/48I UNDER		0	45
1080/50I NORMAL		19	83
1080/50I UNDER		0	45
480/60P 4:3 NORMAL		51	108
480/60P 4:3 UNDER		4	63
480/60P 16:9 NORMAL		36	103
480/60P 16:9 UNDER		15	64
575/50P 4:3 NORMAL		50	96
575/50P 4:3 UNDER		3	54
575/50P 16:9 NORMAL		35	104
575/50P 16:9 UNDER		12	60
1035/60I NORMAL	23	105	
1035/60I UNDER	0	60	
1080/60I NORMAL	23	85	
1080/60I UNDER	0	48	
720/50P NORMAL	22	84	
720/50P UNDER	0	48	
720/60P NORMAL	22	84	
720/60P UNDER	0	48	
V_CENT	480/60I	128	107
	575/50I	128	107
	1080/48I	128	107
	1080/50I	128	107
	480/60P	128	107
	576/50P	128	107
	1035/60I	128	107
	1080/60I	128	107
720/50P	128	107	

Name	Description	Inch20	Inch14	
V_CENT	720/60P	128	107	
V_S_LIN	480/60I 4:3 NORMAL	15	14	
	480/60I 4:3 UNDER	15	15	
	480/60I 16:9 NORMAL	15	15	
	480/60I 16:9 UNDER	16	15	
	575/50I 4:3 NORMAL	15	15	
	575/50I 4:3 UNDER	22	15	
	575/50I 16:9 NORMAL	24	15	
	575/50I 16:9 UNDER	25	15	
	1080/48I NORMAL	29	22	
	1080/48I UNDER	26	15	
	1080/50I NORMAL	29	22	
	1080/50I UNDER	26	15	
	480/60P 4:3 NORMAL	15	15	
	480/60P 4:3 UNDER	31	15	
	480/60P 16:9 NORMAL	24	15	
	480/60P 16:9 UNDER	27	15	
	575/50P 4:3 NORMAL	15	15	
	575/50P 4:3 UNDER	15	15	
	575/50P 16:9 NORMAL	24	15	
	575/50P 16:9 UNDER	26	15	
	1035/60I NORMAL	27	20	
	1035/60I UNDER	20	15	
	1080/60I NORMAL	27	20	
	1080/60I UNDER	20	15	
	720/50P NORMAL	21	19	
	720/50P UNDER	22	15	
	720/60P NORMAL	21	19	
	720/60P UNDER	22	15	
	V_C_LIN	480/60I 4:3 NORMAL	15	18
		480/60I 4:3 UNDER	15	15
480/60I 16:9 NORMAL		15	15	
480/60I 16:9 UNDER		20	15	
575/50I 4:3 NORMAL		15	15	
575/50I 4:3 UNDER		12	15	
575/50I 16:9 NORMAL		20	15	
575/50I 16:9 UNDER		15	15	
1080/48I NORMAL		17	19	
1080/48I UNDER		21	15	
1080/50I NORMAL		17	19	
1080/50I UNDER		21	15	
480/60P 4:3 NORMAL		15	15	
480/60P 4:3 UNDER		15	15	

Name	Description	Inch20	Inch14	
V_C_LIN	480/60P 16:9 NORMAL	21	15	
	480/60P 16:9 UNDER	17	15	
	575/50P 4:3 NORMAL	15	15	
	575/50P 4:3 UNDER	15	15	
	575/50P 16:9 NORMAL	22	15	
	575/50P 16:9 UNDER	19	15	
	1035/60I NORMAL	17	20	
	1035/60I UNDER	19	15	
	1080/60I NORMAL	17	20	
	1080/60I UNDER	19	15	
	720/50P NORMAL	21	17	
	720/50P UNDER	13	15	
	720/60P NORMAL	21	17	
	720/60P UNDER	13	15	
	H_BLK_L	480/60I	222	222
		575/50I	227	227
		1080/48I	225	225
1080/50I		218	218	
480/60P		164	164	
576/50P		181	181	
1080/60I 1035/60I NORMAL		162	162	
1080/60I 1035/60I UNDER		179	179	
720/50P		162	162	
720/60P		162	162	
H_BLK_R		480/60I	133	133
	575/50I	133	133	
	1080/48I	133	133	
	1080/50I	133	133	
	480/60P	133	133	
	576/50P	133	133	
	1080/60I 1035/60I NORMAL	133	133	
	1080/60I 1035/60I UNDER	133	133	
H_BLK_R_FINE	1080/60I 1035/60I NORMAL	12	12	
	1080/60I 1035/60I UNDER	12	12	
V_BLK_T	480/60I	107	106	
	575/50I	148	148	
	1080/48I	213	227	
	1080/50I	225	223	
	480/60P	134	132	
	576/50P	160	165	
	1035/60I	171	182	

Name	Description	Inch20	Inch14
V_BLK_T	1080/60I	171	182
	720/50P	220	230
	720/60P	190	190
V_BLK_B	480/60I	223	203
	Not used	255	255
	575/50I	175	157
	Not used	255	255
	1080/48I	122	85
	1080/50I	121	85
	480/60P	176	137
	Not used	255	255
	576/50P	64	27
	Not used	255	255
	1035/60I	75	38
	1080/60I	75	38
	720/50P	211	179
	720/60P	186	154
LCC	LCC	128	128
H_DF_PHASE	Horizontal frequency 15K	15	15
	Horizontal frequency 27K	15	15
	Horizontal frequency 28K	15	15
	Horizontal frequency 31K	15	15
	Horizontal frequency 33K	15	15
	Horizontal frequency 45K	15	15
H_DF_PARA	Horizontal frequency 15K	15	15
	Horizontal frequency 27K	15	15
	Horizontal frequency 28K	15	15
	Horizontal frequency 31K	15	15
	Horizontal frequency 33K	15	15
	Horizontal frequency 45K	15	15
CLP_P_DLY	Horizontal frequency 15K	225	225
	Horizontal frequency 31K	200	200
	Horizontal frequency 27K/28K/33K	80	80
	Horizontal frequency 45K	30	30
	Horizontal frequency 15K (31K DUMMY) SDI	180	180
	Horizontal frequency 27K/28K/33K SDI	100	100
Y_LEVEL	SETUP-0 systemn NTSC-0/BETA-0/SMPTE/SDI	100	100
	SETUP-7.5 systemn NTSC-7.5/BETA-7.5	110	110
	CHROMA PR	80	80

Name	Description	Inch20	Inch14	
CHROMA_PB	CHROMA PB	80	80	
Y_BLACK	SETUP-0 system NTSC-0/BETA-0/SMPTE/SDI	60	60	
	SETUP-7.5 systemn NTSC-7.5/BETA-7.5	120	120	
PB_BLACK	RGB/COMP Horizontal frequency 15K	80	80	
	Other than RGB/COMP Horizontal frequency 15K	80	80	
	NTSC/NTSC4.43/NOCOLOR60	80	80	
	PAL/NOCOLOR50	80	80	
	SECAM	80	80	
	SDI Horizontal frequency 15K	80	80	
	Other than SDI Horizontal frequency 15K	80	80	
PR_BLACK	RGB/COMP Horizontal frequency 15K	80	80	
	Other than RGB/COMP Horizontal frequency 15K	80	80	
	NTSC/NTSC4.43/NOCOLOR60	80	80	
	PAL/NOCOLOR50	80	80	
	SECAM	80	80	
	SDI Horizontal frequency 15K	80	80	
GY_R_LEVEL	SMPTE(709) HD-SDI	90	90	
	SMPTE(601) D1-SDI/SDTI-CP/DV	200	200	
	BETACAM SETUP 0(601)	100	100	
	BETACAM SETUP 7.5(601)	120	120	
V_BLK_B_NOSYNC	480/60I	190	190	
	575/50I	120	120	
	1080/48I	120	120	
	1080/50I	120	120	
	480/60P	190	190	
	576/50P	120	120	
	1035/60I	190	190	
	1080/60I	190	190	
GY_B_LEVEL	SMPTE(709) HD-SDI	90	90	
	SMPTE(601) D1-SDI/SDTI-CP/DV	210	210	
	BETACAM SETUP 0 (601)	130	130	
	BETACAM SETUP 7.5 (601)	150	150	
OSD_TIMING	Don' t Care			
OSD_FIELD	Inch 14 and Inch 20			
	J, U/C	Don' t Care		
	AEP	REVERSE	2000001	2000001
		NORMAL	2000587	2000326
		2000248	2000249	
		14L4	20L4	
			14L3	

Name	Description	Inch20	Inch14
PR_LEVEL	AUTOSETUP-OFF 15kHz SMPTE(709)	170	170
	Other than AUTOSETUP-OFF 15kHz SMPTE(709)	180	180
	AUTOSETUP-OFF 15kHz SMPTE(601)	140	140
	Other than AUTOSETUP-OFF 15kHz SMPTE(601)	140	140
	AUTOSETUP-OFF BETACAM SETUP 0(601)	50	50
	AUTOSETUP-OFF BETACAM SETUP 7.5(601)	60	60
	AUTOSETUP-OFF NTSC SETUP0	150	150
	AUTOSETUP-OFF (S)-NTSC SETUP0	150	150
	AUTOSETUP-OFF NTSC SETUP7.5	150	150
	AUTOSETUP-OFF (S)-NTSC SETUP7.5	150	150
	AUTOSETUP-OFF PAL	100	100
	AUTOSETUP-OFF (S)-PAL	100	100
	AUTOSETUP-OFF SECAM	100	100
	AUTOSETUP-OFF NTSC 443	100	100
	AUTOSETUP-OFF (S)-NTSC 443	150	150
	AUTOSETUP-OFF D1-SDI	150	150
	AUTOSETUP-OFF HD-SDI	140	140
	AUTOSETUP-OFF SDTI-CP	140	140
	AUTOSETUP-OFF DV	140	140
	AUTOSETUP-OFF BKM-PALM	140	140
	AUTOSETUP-ON 15kHz SMPTE(709)	170	170
	Other than AUTOSETUP-ON 15kHz SMPTE(709)	180	180
	AUTOSETUP-ON 15kHz SMPTE(601)	140	140
	Other than AUTOSETUP-ON 15kHz SMPTE(601)	140	140
	AUTOSETUP-ON BETACAM SETUP 0(601)	50	50
	AUTOSETUP-ON BETACAM SETUP 7.5(601)	60	60
	AUTOSETUP-ON NTSC SETUP0	150	150
	AUTOSETUP-ON (S)-NTSC SETUP0	150	150

Name	Description	Inch20	Inch14
PR_LEVEL	AUTOSETUP-ON NTSC SETUP7.5	150	150
	AUTOSETUP-ON (S)-NTSC SETUP7.5	150	150
	AUTOSETUP-ON PAL	100	100
	AUTOSETUP-ON (S)-PAL	100	100
	AUTOSETUP-ON SECAM	100	100
	AUTOSETUP-ON NTSC 443	100	100
	AUTOSETUP-ON (S)-NTSC 443	150	150
	AUTOSETUP-ON D1-SDI	150	150
	AUTOSETUP-ON HD-SDI	140	140
	AUTOSETUP-ON SDTI-CP	140	140
	AUTOSETUP-ON DV	140	140
	AUTOSETUP-ON BKM-PALM	140	140
PB_LEVEL	AUTOSETUP-OFF 15kHz SMPTE(709)	240	240
	Other than AUTOSETUP-OFF 15kHz SMPTE(709)	240	240
	AUTOSETUP-OFF 15kHz SMPTE(601)	200	200
	Other than AUTOSETUP-OFF 15kHz SMPTE(601)	200	200
	AUTOSETUP-OFF BETACAM SETUP 0(601)	100	100
	AUTOSETUP-OFF BETACAM SETUP 7.5(601)	120	120
	AUTOSETUP-OFF NTSC SETUP0	200	200
	AUTOSETUP-OFF (S)-NTSC SETUP0	200	200
	AUTOSETUP-OFF NTSC SETUP7.5	200	200
	AUTOSETUP-OFF (S)-NTSC SETUP7.5	200	200
	AUTOSETUP-OFF PAL	200	200
	AUTOSETUP-OFF (S)-PAL	200	200
	AUTOSETUP-OFF SECAM	200	200
	AUTOSETUP-OFF NTSC 443	200	200
	AUTOSETUP-OFF (S)-NTSC 443	200	200
	AUTOSETUP-OFF D1-SDI	200	200
	AUTOSETUP-OFF HD-SDI	200	200
	AUTOSETUP-OFF SDTI-CP	200	200
	AUTOSETUP-OFF DV	200	200
	AUTOSETUP-OFF BKM-PALM	200	200
	AUTOSETUP-ON 15kHz SMPTE(709)	240	240
	Other than AUTOSETUP-ON 15kHz SMPTE(709)	240	240

Name	Description	Inch20	Inch14
PB_LEVEL	AUTOSETUP-ON 15kHz SMPTE(601)	200	200
	Other than AUTOSETUP-ON 15kHz SMPTE(601)	200	200
	AUTOSETUP-ON BETACAM SETUP 0(601)	100	100
	AUTOSETUP-ON BETACAM SETUP 7.5(601)	120	120
	AUTOSETUP-ON NTSC SETUP0	200	200
	AUTOSETUP-ON (S)-NTSC SETUP0	200	200
	AUTOSETUP-ON NTSC SETUP7.5	200	200
	AUTOSETUP-ON (S)-NTSC SETUP7.5	200	200
	AUTOSETUP-ON PAL	200	200
	AUTOSETUP-ON (S)-PAL	200	200
	AUTOSETUP-ON SECAM	200	200
	AUTOSETUP-ON NTSC 443	200	200
	AUTOSETUP-ON (S)-NTSC 443	200	200
	AUTOSETUP-ON D1-SDI	200	200
	AUTOSETUP-ON HD-SDI	200	200
	AUTOSETUP-ON SDTI-CP	200	200
	AUTOSETUP-ON DV	200	200
	AUTOSETUP-ON BKM-PALM	200	200
SUB_CONT	480/60I 575/50I 4:3 NORMAL	78	78
	UNDER SACN	50	50
	H/V DELAY	78	78
	16:9 NORMAL	78	78
	UNDER SACN	50	50
	H/V DELAY	78	78
	1080/48I 16:9 NORMAL	78	78
	UNDER SACN	50	50
	H/V DELAY	78	78
	1080/50I 16:9 NORMAL	78	78
	UNDER SACN	50	50
	H/V DELAY	78	78
	480/60P 576/50P 4:3 NORMAL	78	78
	UNDER SACN	50	50
	H/V DELAY	78	78
	16:9 NORMAL	78	78
	UNDER SACN	50	50
	H/V DELAY	78	78
	1080/60I 1035/60I 16:9 NORMAL	78	78
	UNDER SACN	50	50

Name	Description	Inch20	Inch14
SUB_CONT	H/V DELAY	78	78
	720/50P 16:9 NORMAL	78	78
	UNDER SACN	50	50
	H/V DELAY	78	78
	720/60P 16:9 NORMAL	78	78
	UNDER SACN	50	50
SUB_BRIGHT	H/V DELAY	78	78
	Horizontal frequency 15K	78	78
	Horizontal frequency 27K	78	78
	Horizontal frequency 28K	78	78
	Horizontal frequency 31K	78	78
	Horizontal frequency 33K	78	78
	Horizontal frequency 37K	78	78
R_GAIN	Horizontal frequency 45K	78	78
	COL1 15K	700	700
	Other than COL1 15K	700	700
	COL2 15K	700	700
	Other than COL2 15K	700	700
	USER 15K	700	700
R_BIAS	Other than USER 15K	700	700
	COL1 15K	400	400
	Other than COL1 15K	400	400
	COL2 15K	400	400
	Other than COL2 15K	400	400
	USER 15K	400	400
G_GAIN	Other than USER 15K	400	400
	COL1 15K	700	700
	Other than COL1 15K	700	700
	COL2 15K	700	700
	Other than COL2 15K	700	700
	USER 15K	700	700
G_BIAS	Other than USER 15K	700	700
	COL1 15K	400	400
	Other than COL1 15K	400	400
	COL2 15K	400	400
	Other than COL2 15K	400	400
	USER 15K	400	400
	Other than USER 15K	400	400

Name	Description	Inch20	Inch14
B_GAIN	COL1 15K	700	700
	Other than COL1 15K	700	700
	COL2 15K	700	700
	Other than COL2 15K	700	700
	USER 15K	700	700
	Other than USER 15K	700	700
B_BIAS	COL1 15K	400	400
	Other than COL1 15K	400	400
	COL2 15K	400	400
	Other than COL2 15K	400	400
	USER 15K	400	400
	Other than USER 15K	400	400
43MARKER_ SUB_L	480/60I	50	50
	575/50I	50	50
	1080/48I	50	50
	1080/50I	50	50
	480/60P	50	50
	576/50P	50	50
	1080/60I 1035/60I NORMAL	50	50
	1080/60I 1035/60I UNDER	50	50
	720/50P	50	50
	720/60P	50	50
43MARKER_ SUB_R	480/60I	50	50
	575/50I	50	50
	1080/48I	50	50
	1080/50I	50	50
	480/60P	50	50
	576/50P	50	50
	1080/60I 1035/60I NORMAL	50	50
	1080/60I 1035/60I UNDER	50	50
	720/50P	50	50
	720/60P	50	50
43MARKER_ PHASE	480/60I	10	10
	575/50I	10	10
	1080/48I	10	10
	1080/50I	10	10
	480/60P	10	10
	576/50P	10	10
	1080/60I 1035/60I NORMAL	10	10
	1080/60I 1035/60I UNDER	10	10
	720/50P	10	10
	720/60P	10	10

Name	Description	Inch20	Inch14
43MARKER_ WIDTH	480/60I	10	10
	575/50I	10	10
	1080/48I	10	10
	1080/50I	10	10
	480/60P	10	10
	576/50P	10	10
	1080/60I 1035/60I NORMAL	10	10
	1080/60I 1035/60I UNDER	10	10
	720/50P	10	10
	720/60P	10	10
WB_COL1_DISP	COL1 DISPLAY	65	65
WB_COL2_DISP	COL2 DISPLAY	93	93
SUBCON_ CONTRAST	LINE-A (COMPOSITE)	50	50
	LINE-A (S)	50	50
	LINE-B (COMPOSITE)	50	50
	RGB	50	50
	COMPONENT	50	50
	OPTION-A (Other than 129X)	50	50
	OPTION-B (Other than 129X)	50	50
	OPTION-RGB (129X)	50	50
	OPTION-COMPONENT(129X)	50	50
	SUBCON_ BRIGHT	LINE-A (COMPOSITE)	50
LINE-A (S)		50	50
LINE-B (COMPOSITE)		50	50
RGB		50	50
SUBCON_ BRIGHT	COMPONENT	50	50
	OPTION-A (Other than 129X)	50	50
	OPTION-B (Other than 129X)	50	50
	OPTION-RGB (129X)	50	50
	OPTION-COMPONENT(129X)	50	50
SUBCON_ CHROMA	LINE-A (COMPOSITE)	50	50
	LINE-A (S)	50	50
	LINE-B (COMPOSITE)	50	50
	RGB	50	50
	COMPONENT	50	50
	OPTION-A (Other than 129X)	50	50
	OPTION-B (Other than 129X)	50	50
	OPTION-RGB(129X)	50	50
OPTION-COMPONENT(129X)	50	50	

Name	Description	Inch20	Inch14
SUBCON_ PHASE	LINE-A (COMPOSITE)	50	50
	LINE-A (S)	50	50
	LINE-B (COMPOSITE)	50	50
	RGB	50	50
	COMPONENT	50	50
	OPTION-A (Other than 129X)	50	50
	OPTION-B (Other than 129X)	50	50
	OPTION-RGB (129X)	50	50
SUBCON_ APERTURE	LINE-A (COMPOSITE)	0	0
	LINE-A (S)	0	0
	LINE-B (COMPOSITE)	0	0
	RGB	0	0
	COMPONENT	0	0
	OPTION-A (Other than 129X)	0	0
	OPTION-B (Other than 129X)	0	0
	OPTION-RGB (129X)	0	0
MACRO VISION	M : Supporting MacroVision	ON	ON
1080/48I	A : 1080/48 flag	ON	ON
720/50P	B : 720/50P flag	OFF	OFF
1125/60I SYS	BKM-142HD AUTO DETECT (0 : MANUAL 1 : AUTO)	AUTO	AUTO
SREM_SINGLE	Serial remote Single address	0	0
SREM_GROUP	Serial remote Group address	0	0
BAUD RATE	Serial remote Communication coditions B : BAUD RATE	38400	38400
PARITY	P : PARITY	EVEN	EVEN
STOP BITS	S : STOP BITS	2 BIT	2 BIT

2-3. Preparation (2). Initialization

* Supply composite video or component signals as shown in Table 2-2.

Signal		Details of signal	Standard level P-W	
Composite video	358NT 443NT	100 % white	0.714 V	
		75 % white	0.536 V	
	PALM PAL SECAM	100 % white	0.7 V	
		75 % white	0.525 V	
Component	BETA0	100 % white Y	0.7143 V	
		75 % white Y	0.536 V	
		75 % color B-Y, R-Y (P-P for this item only)	0.757 V	
	BETA 7.5	100 % white Y	0.7143 V	
		75 % white Y	0.536 V	
		75 % color B-Y, R-Y (P-P for this item only)	0.7 V	
	SMPTE	100 % white Y	0.7 V	
		75 % white Y	0.525 V	
		75%color B-Y, R-Y (P-P for this item only)	0.525 V	
	Voice/sound		-5dBs	0.436Vrms

Table 2-2

2-4. Writing Model Data

1. Select the following submenus from the Service Menu in the order of : [SYSTEM] → [MODEL GRADE] → [MODEL TYPE] and write the model data of each model in the [MODEL TYPE] referring to table 2-4.

Model name	Model ytp	Model grade
PVM-D14L5J	J14	L5
PVM-D20L5J	J20	L5
PVM-14L5	U14	L5
PVM-20L5	U20	L5
PVM-14L3	E14	L3
PVM-14L4	E14	L4
PVM-20L4	E20	L4
PVM-D14L5A	A14	L5
PVM-D20L5A	A20	L5

Table. 2-4

2. Select the following submenus from the Service Menu in the order of : [SIGNAL] → [WHITE|BALANCE] and type the following data in [COLOR TEMP].

U/C, AEP 65
J 93

* Standard inspection state

Unless otherwise specified in this manual, make adjustment under the following conditions :

APERTURE OFF (USER CONTROL menu)
BRIGHT 0
CHROMA 50
PHASE 0
CONTRAST 80
VOLUME 50

2-5. Picture Output

1. AC input voltage setting

1. Input VIDEO signals and AUDIO signals to respective terminals on the connector panel.
2. Set the sliduck AC voltage as shown in Table 2-5.

Model name	Voltage
PVM-14L5 PVM-20L5	AC 120 V ±10 %
PVM-D14L5J PVM-D20L5J	AC 100 V ±10 %
PVM-14L3 PVM-14L4 PVM-20L4 PVM-D14L5A PVM-D20L5A	AC 240 V ±10 %

Table. 2-5

2-6. Free-run Frequency Adjustment

Find the following adjustment menu in the layer under the DEFLECTION menu of the service mode.

FOCUS

H PLL
HFV SENCE
HFV CONTROL

1. Connect the 480/60I cross hatch signal to the Y/G terminal of RGB/COMPONENT IN connector.
2. Enter the service mode.
3. Switch H PLL of the menu from LOCK to FREERUN.
4. Adjust HFV SENCE and HFV CONTROL of the menu until number of screens losing sync is minimal.
5. Switch H PLL of the menu from FREERUN to LOCK. Confirm that the screen is locked.
6. Switch the input signal frequency as shown below and repeat steps 3 to 5.

2-7. Landing Adjustment

14 inch

1. CONT ... MAX
BRT ... Conspicuous position
2. Roughly adjust the white balance, G2, and convergence.
3. Switch the rotary SW of the single color switch to change the color into green only.
4. Adjust the purity knob so that the green will come to the center of the screen. Make R and B almost identical. (Fig. 2-1)
5. Switch to B only, R only, and G only and verify each. (Figs.2-1, 2-2, and 2-3)
6. Bring the deflection yoke gradually forward and adjust the deflection yoke so that R and B on both sides of the screen will be green. (Fig.2-2 n Fig. 2-3)
7. If the deflection yoke comes forward too much, the pattern shown in Fig.2-4 will appear. If so, move the deflection yoke backward. (Fig.2-4 n Fig.2-3)
8. Switch the single color switch to B and verify the single color. (Fig.2-6)
9. Switch the single color switch to R and verify the single color. (Fig.2-9)
10. When two colors are mixed, set the mixed color as the standard, and repeat operations 6 and 7.
11. Switch to an all-white signal and check the uniformity.
12. When the deflection yoke position is determined, fasten it with the fixture.

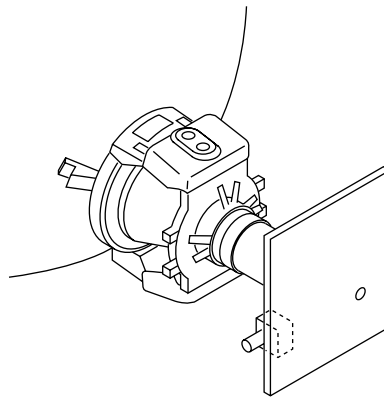


Fig. 2-11

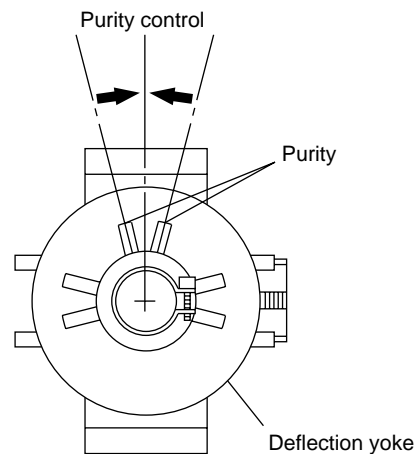


Fig. 2-12

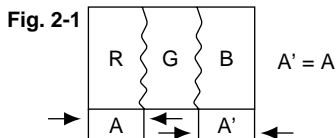


Fig. 2-2

Fig. 2-3

Fig. 2-4

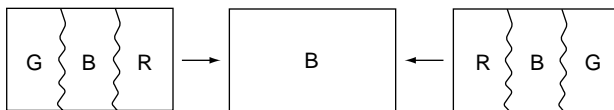


Fig. 2-5

Fig. 2-6

Fig. 2-7

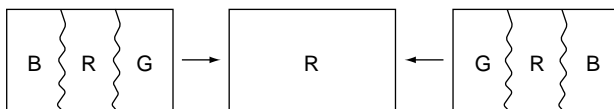


Fig. 2-8

Fig. 2-9

Fig. 2-10

20 inch

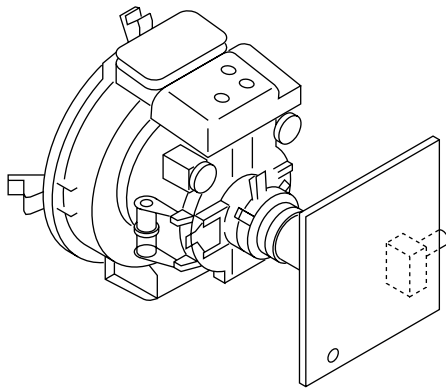


Fig. 2-11

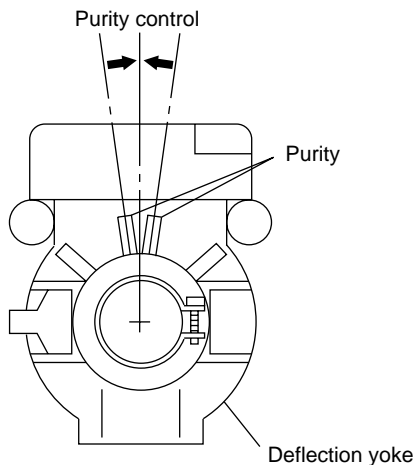


Fig. 2-12

Note

Attach the magnets inside the NTC for the model PVM-20L4 referring to Fig. 2-13.

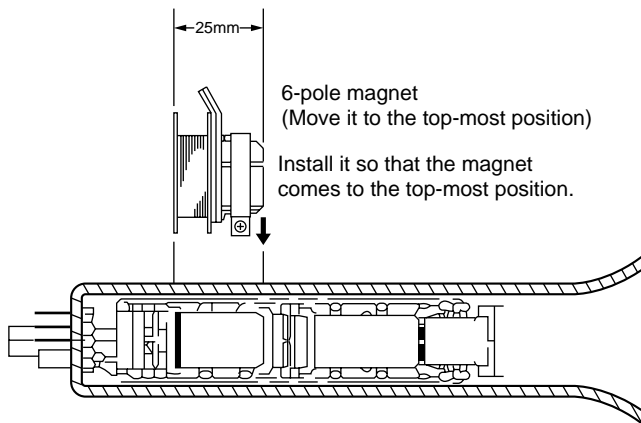


Fig. 2-13

2-8. H Blanking Adjustment

- RASTER H
- H SIZE
- H CENTER
- H POSITION
- H BLK LEFT
- H BLK RIGHT

1. Connect the 480/60I cross hatch signal to the Y/G terminal of RGB/COMPONENT IN connector.
2. Press the UNDER SCAN button to enter the under scanned mode. (The UNDER SCAN button lights in orange.)
3. Press the (+) plus button of BRIGHT to set the brightness to MAX.
4. Enter the service mode.
5. Adjust **H SIZE** of the menu until the entire raster becomes visible on screen.
6. Adjust **H BLK RIGHT** of the menu so that the left-most end of raster is just before starting to fold back on screen.
7. Adjust **H POSITION** of the menu so that the right-most end of the raster matches with the right-most end of the video display on screen.
8. Adjust **H BLK LEFT** of the menu so that the left-most end of the raster matches with the left-most end of the video display on screen.
9. Adjust **H CENTER** of the menu so that the amount of over-scanned raster is unity in the right and left of the effective area of CRT.
10. Press the UNDER SCAN button to exit the under scanned mode. (The UNDER SCAN button lights in green.)
11. Adjust **H SIZE** of the menu until the entire raster becomes visible on screen.
12. Adjust **H BLK RIGHT** of the menu so that the left-most end of raster is just before starting to fold back on screen.
13. Adjust **H BLK LEFT** of the menu so that the right-most end of raster is just before starting to fold back on screen.
14. Adjust **H POSITION** of the menu so that center of the effective screen matches with the center of the video display on screen.
15. Change the input signal frequency arbitrarily and change the **H CENTER** value that is adjusted in step 9.
16. Select the various signal frequencies and repeat adjustment from steps 5 to 8 in the same way as described above.

2-9. Linearity Adjustment

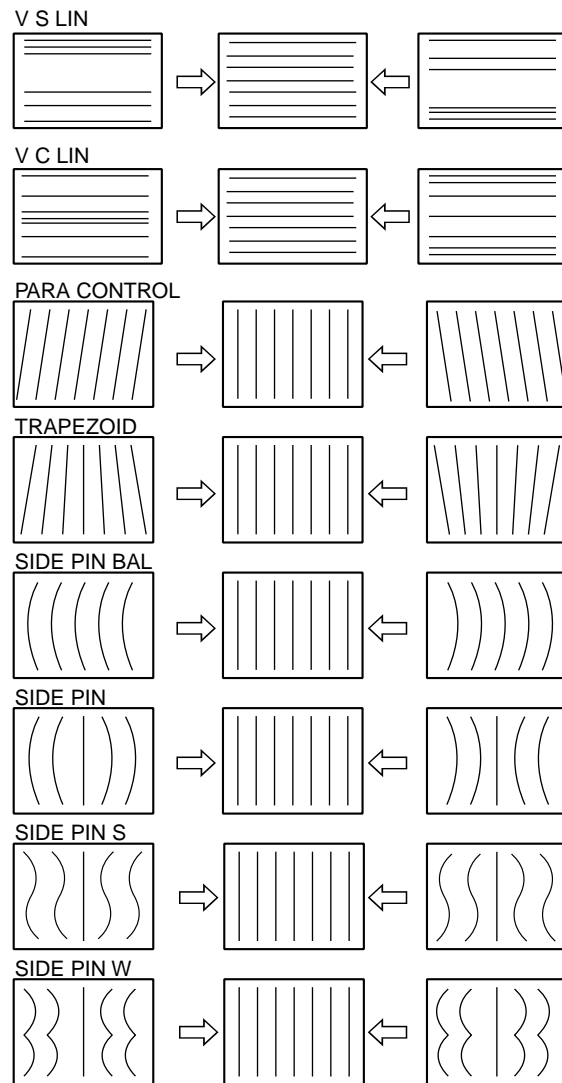
Find the following adjustment menu in the layer under the DEFLECTION menu of the service mode.

RASTER H	GEOMETRY
H SIZE	V S LIN
H CENTER	V C LIN
H POSISION	TRAPEZOID
MARKER SUB L	SIDE PIN
MARKER SUB R	SIDE PIN W
	SIDE PIN BAL
RASTER V	PARA CONTROL
V SIZE	SIDE PIN S
V CENTER	
V BLK TOP	
V BLK BOTTOM	
OSD TIMING	

1. Connect the 480/60I cross hatch signal to the Y/G terminal of RGB/COMPONENT IN connector.
2. Enter the service mode.
3. Select the 4:3 normal scan mode and check the followings. (The 16:9 button and UNDER SCAN button light in green.)
DY Inclination Distortion check
Top and bottom V PIN Distortion Check
If the specifications cannot be met, perform the DY Neck Rotation Adjustment.
4. Perform the horizontal trapezoid distortion adjustment using the TLY volume control of DY. If the horizontal trapezoid distortion is difficult to see, select Green Only mode. If the horizontal trapezoid distortion is adjusted significantly, the top and bottom vertical convergence will become out of adjustments.
5. Connect the 480/60I monoscope signal to the Y/G terminal of RGB/COMPONENT IN connector.
6. Adjust **V CENTER** of the menu until picture comes to the center of the screen in the vertical direction.
7. Connect the 480/60I cross hatch signal to the Y/G terminal of RGB/COMPONENT IN connector.
8. Adjust **V SIZE**, **V C LIN**, **V S LIN** and **H SIZE** until the upper and lower halves of the screen become symmetrical.
9. Remove the trapezoidal distortion and PIN distortion of screen using [PARA CONTROL], [TRAPEZOID], [SIDE PIN BAL], [SIDE PIN], [SIDE PIN S] and [SIDE PIN W].
10. Repeat adjustments from step 7 to step 9 until all specifications are satisfied at the same time. (Tracking)
11. Repeat adjustments from step 7 to step 9 starting from the 4:3 UNDER SCAN mode, then 16:9 NOMAL SCAN mode and finally 16:9 UNDER SCAN mode. (J/UC)

12. Repeat adjustments from step 5 to step 8 in the same way for each of the following signal frequencies.

Horizontal frequency	Signal specification	ASPECT ratio
15.625 kHz	575/50I	16 : 9/4 : 3
15.734 kHz	480/60I	16 : 9/4 : 3
27.000 kHz	1080/48I	16 : 9
28.125 kHz	1080/50I	16 : 9
31.250 kHz	575/50P	16 : 9/4 : 3
31.496 kHz	480/60P	16 : 9/4 : 3
33.750 kHz	1035/60I	16 : 9
33.750 kHz	1080/60I	16 : 9
37.500 kHz	720/50P	16 : 9
45.000 kHz	720/60P	16 : 9



2-10. Convergence Adjustment (1)

1. Input a dot pattern signal.
CONT ... Conspicuous position
BRT ... MIN
2. Align the horizontal R, G, and B dots at the center of the screen with the H-START VR.
* When H-CENT is changed after H-STAT adjustment, readjust H-STAT. (H-STAT will change by means of H-CENT VR.)
3. Align the vertical location of R, G, and B in the center of the screen with the V-STAT Mg. (Fig. 2-14, 2-15)
* After V-STAT adjustment, paint-lock the knob.

V-STAT Mg knob

While keeping the angles A and B equal ($I = I'$), align the vertical convergence.

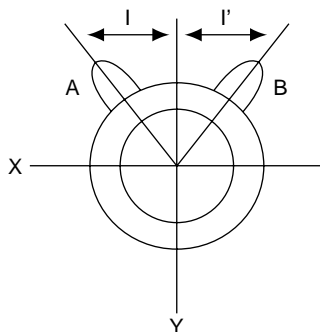


Fig. 2-14 Good example

If the A and B knobs are not symmetrical ($I \neq I'$), the focus may deteriorate, beam striking or other adverse effects may occur.

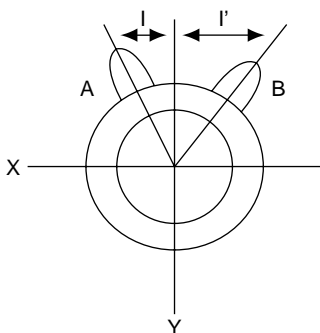


Fig. 2-15 Bad example

4. For HMC, use the BMC Mg to adjust the R and B dots so that they will be symmetrical horizontally with respect to the G dot.

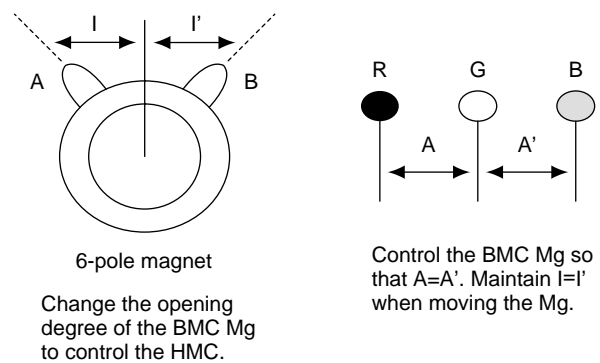


Fig. 2-16

5. For VMC, use the MBC Mg to adjust the R and B dots so that they will be symmetrical vertically with respect to the G dot.

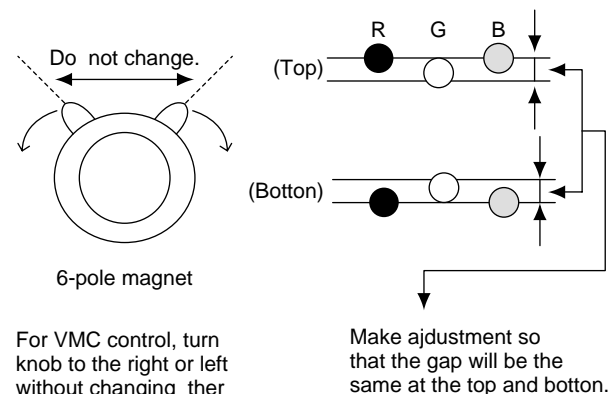


Fig. 2-17

6. Repeat adjustments 2. to 5.
* The above adjustment may affect the landing, so after adjustment, check the landing again.
7. Paint-lock the knobs after adjustment.

2-11. Deflection Yoke Neck Rotation Adjustment

- If there is nonconvergence on both sides of the X or Y axis of the screen, turn the neck of the deflection yoke in the direction of the arrow to hold the nonconvergence for the entire CRT screen within the tolerance.
 - * Applicable only to groups of models 1, 2, 3, and 5.

- Reverse cross misconvergence pattern
- Reverse cross misconvergence pattern

Move the deflection yoke downward.

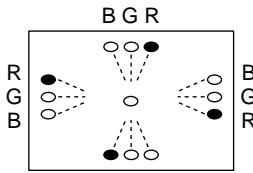


Fig. 2-18

Move the deflection yoke upward.

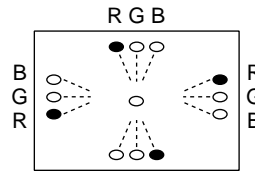


Fig. 2-19

- Pattern of left-sided deflection yoke

Move the deflection yoke to the right when viewed from the CRT screen.

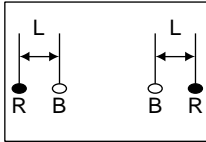


Fig. 2-20

- Pattern of right-sided deflection yoke

Move the deflection yoke to the left when viewed from the CRT screen.

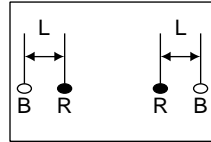


Fig. 2-21

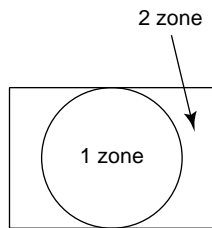
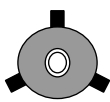


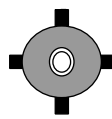
Fig. 2-23

- Turn the neck of the deflection yoke to align the V pin vertically.
 - * Applicable only to group of models 4.
- Insert the wedge between the deflection yoke and CRT funnel to lock the deflection yoke. (Fig.2-24)



When model groups 1,2,3 and 5 are performed.

Inch 14

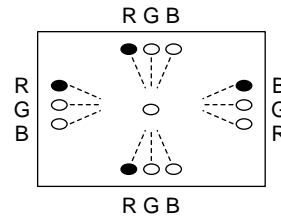


When model group 4 is performed.

Inch 20

Fig. 2-24

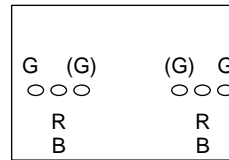
- The following patterns cannot be corrected by turning the neck. (Figs.2-25, 2-26, and 2-27)



* Gun rotation

The X-axis and Y-axis beams are distorted on both sides.

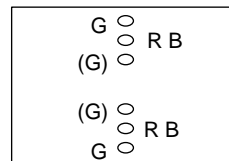
Fig. 2-25



* HCR Large (small)

The horizontal portion of the G raster is wider (narrower) than that of the RB raster on both sides of the screen.

Fig. 2-26



* HCR Large (small)

The horizontal portion of the G raster is wider (narrower) than that of the RB raster on both sides of the screen.

Fig. 2-27

2-12. Convergence Adjustment (2)

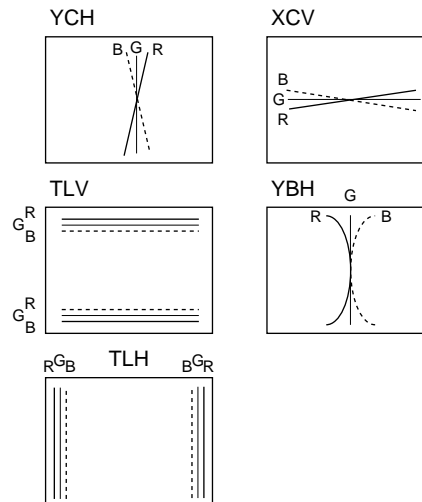


Fig. 2-28 Convergence compensation VR,coil,and compensator

Note

When adjustment is insufficient, use permalloy for perfect adjustment.

1. Group of models 4 (See Table 2-3.)

1. Input a cross-hatch signal.
2. Make adjustment with the TLV, YCH, YBH VR, and XCV coils of the deflection yoke to minimize nonconvergence.
3. When the nonconvergence of the TILT component is included in the horizontal convergence, make adjustment with the TLH compensator. (Fig. 2-28)

2. Groups of models 1, 2, and 3 (See Table 2-3.)

1. Input a cross-hatch signal.
2. Make adjustment with the TLV, YCH VR, and XCV coils of the deflection yoke to minimize nonconvergence.
3. When the nonconvergence of the TILT component is included in the horizontal convergence, insert the TLH compensator into the deflection yoke for adjustment.

(Fig. 2-28)

3. Group of models 5 (See Table 2-3.)

1. Input a cross-hatch signal.
2. Make adjustment with the XCV coil of the deflection yoke to minimize nonconvergence.
3. When the nonconvergence of the TILT component is included in the vertical convergence, insert the TLV compensator into the deflection yoke for adjustment. (Fig. 2-28)

2-13. G2 Adjustment

Conditions

CONTRAST and BIRHT : PRESET positions

1. Input a HD (1080/60i) all-black signal to the COMPONENT Y IN connector.
2. Select the cathode that shows the highest pedestal level among the red, green and blue cathodes.
3. Connect probe of an oscilloscope as indicated below. Adjust RV702 on the C board so that the pedestal level becomes 150 V_{DC} as shown in Fig. 2-29.

RED : TP704 or KR
GREEN : TP701 or KG
BLUE : TP702 or KB

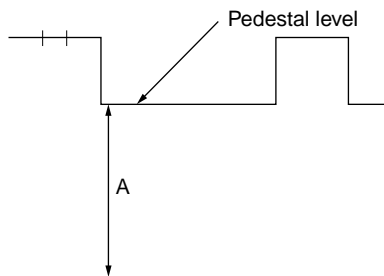


Fig. 2-29

2-14. White Balance Adjustment (15k)

1. Connect the 15K window signal to the Y/G terminal of RGB/COMPONENT IN connector.
2. Enter the service mode.
3. Select COMPONENT.
4. From the operation panel, set as follows :
CONTRAST : 80
BRIGHT : 0 (mechanical center)
5. Select the following submenus from the Service Menu in the order of : [SIGNAL] → [WHITE|BALANCE] and set [COLOR TEMP] to D65.
6. Set [X] of the menu to 313 and [Y] to 329. (Increase brightness to 100 dc/cm² or more.)
7. Set [MANUAL/AUTO] to MANUAL.
8. Press the [MONO] key to enter the black-and-white mode.
9. Select [ADJUST GAIN].
10. While fixing G to 700, adjust B and R for optimum white balance.
11. Upon completion of adjustment, press the [MENU] key to return to the previous menu.
12. Change the signal level to 3 cd/cm².
13. Select [ADJUST BIAS] of the menu.
14. While fixing G to 700 in the same way as in step 10, adjust B and R for the unity cut-off level.
15. Upon completion of adjustment, press the [MENU] key to return to the previous menu.
16. Repeat adjustments from step 9 to step 14 until all specifications are satisfied all at the same time. (Tracking)
17. Set [COLOR TEMP] to D93.
18. Set [X] of the menu to 283 and [Y] to 298.
19. Set [MANUAL/AUTO] to MANUAL.
20. Repeat adjustments from step 9 to step 16 in the same way.
21. Press the [MONO] key to exit the black-and-white mode.

2-15. White Balance Adjustment (33k)

1. Connect the 33K window signal to the Y/G terminal of RGB/COMPONENT IN connector.
2. Enter the service mode.
3. Select RGB/COMPONENT.
4. From the operation panel, set as follows :
CONTRAST : 80
BRIGHT : 0 (mechanical center)
5. Select the following submenus from the Service Menu in the order of : [SIGNAL] → [WHITE|BALANCE] and set [COLOR TEMP] to D65.
6. Set [X] of the menu to 313 and [Y] to 329. (Increase brightness to 100 dc/cm² or more.)
7. Set [MANUAL/AUTO] to MANUAL.
8. Press the [MONO] key to enter the black-and-white mode.
9. Select [ADJUST GAIN].
10. While fixing G to 700, adjust B and R for optimum white balance.
11. Upon completion of adjustment, press the [MENU] key to return to the previous menu.
12. Change the signal level to 3 cd/cm².
13. Select [ADJUST BIAS] of the menu.
14. While fixing G to 700 in the same way as in step 10, adjust B and R for the unity cut-off level.
15. Upon completion of adjustment, press the [MENU] key to return to the previous menu.
16. Repeat adjustments from step 9 to step 14 until all specifications are satisfied all at the same time. (Tracking)
17. Set [COLOR TEMP] to D93.
18. Set [X] of the menu to 283 and [Y] to 298.
19. Set [MANUAL/AUTO] to MANUAL.
20. Repeat adjustments from step 9 to step 16 in the same way.
21. Press the [MONO] key to exit the black-and-white mode.

2-16. SUB BRIGHT, SUB CONTRAST Adjustment (15 K)

1. Input the 15 K monoscope signal to the COMPONENT IN connector.
2. Put the unit into the service mode.
3. Select WHITE BALANCE.
4. Select SUB BRIGHT.
5. Set as follows from the operation panel:
CONTRAST : 0 (MIN)
BRIGHT : 0 (center)
6. Adjust [SUB-BRIGHT] in the service mode so that the 20-tone gray scale will be as follows :
0 and 5 IRE ⇒ CUT-OFF
10 IRE ⇒ Slight glow
7. Set CONTRAST VR on the operation panel to 80 %.
8. Turn off the CONTRAST display.
9. Select SUB CONTRAST.
10. Input the window signal whose size is less than what is shown below.

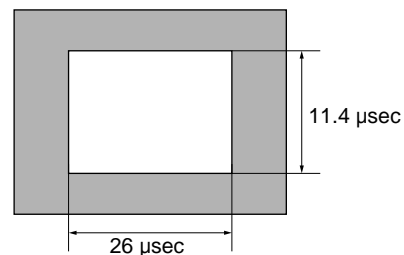


Fig. 2-30

11. Adjust luminance to the standard value with SUB-CONTRAST.

Standard value :

	14 inch MODEL	20 inch MODEL
SUB CONT	170 cd/m ²	150 cd/m ²

12. Select UNDER SCAN. (4 : 3 UNDER SCAN)
13. Select SUB CONTRAST and adjust luminance to the standard value that is specified in step 11, with SUB-CONTRAST.
14. Select 16 : 9. (16 : 9 UNDER SCAN)
15. Select SUB CONTRAST and adjust luminance to the standard value that is specified in step 11, with SUB-CONTRAST.
16. Select UNDER SCAN. (16 : 9 NORMAL)
17. Select SUB CONTRAST and adjust luminance to the standard value that is specified in step 11, with SUB-CONTRAST.
18. Return to the 4 : 3 NORMAL screen.
19. Turn the POWER OFF.

2-17. SUB BRIGHT, SUB CONTRAST Adjustment (33 K)

1. Input the 33 K monoscope signal to the COMPONENT IN connector.
2. Put the unit into the service mode.
3. Select WHITE BALANCE.
4. Select **SUB-BRIGHT** .
5. Set as follows from the operation panel:
CONTRAST : 0 (MIN)
BRIGHT : 0 (center)
6. Adjust SUB-BRIGHT in the service mode so that the 20-tone gray scale will be as follows:
0 and 5 IRE ⇒ CUT-OFF
10 IRE ⇒ Slight glow
7. Set CONTRAST VR on the operation panel to 80 %.
8. Turn off the CONTRAST display.
9. Select SUB CONTRAST.
10. Input the window signal.
11. Adjust luminance to the standard value with SUB-CONTRAST.

Standard value:

	14 inch MODEL	20 inch MODEL
SUB CONT	170 cd/m ²	150 cd/m ²

12. Select UNDER SCAN. (16 : 9 UNDER SCAN)
13. Select SUB CONTRAST and adjust luminance to the standard value that is specified in step 11, with SUB-CONTRAST.

2-18. White Balance Interference Correction Adjustment

2-18-1. NTSC Composite Adjustment

1. Input a 525 all-white (with burst) cut-off signal to LINE A connector.
2. Select LINE A from the operation panel.
3. Adjust the all-white luminance so that the screen luminance is less than 10 cd/m² and as close as possible to 3 cd/m² with the CONTRAST VR button and BRIGHT VR button on the operation panel.
4. Set the MONO on the operation panel to ON and measure the color temperature.
5. Set the MONO switch on the operation panel to OFF. Select [ADJUST FINE] and adjust [PB BLACK] and [PR BLACK] until the same color temperature as the color temperature value measured in step 4 is obtained.

2-18-2. PAL Composite Adjustment

1. Input a 625 all-white (with burst) cut-off signal to LINE A connector.
2. Select LINE A from the operation panel.
3. Adjust the all-white luminance so that the screen luminance is less than 10 cd/m² and as close as possible to 3 cd/m² with the CONTRAST VR button and BRIGHT VR button on the operation panel.
4. Set the MONO on the operation panel to ON and measure the color temperature.
5. Set the MONO switch on the operation panel to OFF. Select [ADJUST FINE] and adjust [PB BLACK] and [PR BLACK] until the same color temperature as the color temperature value measured in step 4 is obtained.

2-18-3. COMPONENT Adjustment

1. Input a 525 all-white (with burst) cut-off signal to COMPONENT connector.
2. Select COMPONENT from the operation panel.
3. Adjust the all-white luminance so that the screen luminance is less than 10 cd/m² and as close as possible to 3 cd/m² with the CONTRAST VR button and BRIGHT VR button on the operation panel.
4. Set the MONO on the operation panel to ON and measure the color temperature.
5. Set the MONO switch on the operation panel to OFF. Select [ADJUST FINE] and adjust [PB BLACK] and [PR BLACK] until the same color temperature as the color temperature value measured in step 4 is obtained.

2-18-4. SDI Adjustment

1. Install the BKM-120D into the option slot.
2. Select OPTION from the operation panel.
3. Input an SDI all-white cut-off signal to BKM-120D.
4. Adjust the all-white luminance so that the screen luminance is less than 10 cd/m² and as close as possible to 3 cd/m² with the signal generator.
5. Set the MONO on the operation panel to ON and measure the color temperature.
6. Set the MONO switch on the operation panel to OFF. Select [ADJUST FINE] and adjust [PB BLACK] and [PR BLACK] until the same color temperature as the color temperature value measured in step 5 is obtained.

2-18-5. HD and SDI Adjustments

1. Install the BKM-142HD into the option slot.
2. Select OPTION from the operation panel.
3. Input an HD SDI all-white cut-off signal to BKM-142HD.
4. Adjust the all-white luminance so that the screen luminance is less than 10 cd/m^2 and as close as possible to 3 cd/m^2 with the signal generator.
5. Set the MONO on the operation panel to ON and measure the color temperature.
6. Set the MONO switch on the operation panel to OFF. Select [ADJUST FINE] and adjust [PB BLACK] and [PR BLACK] until the same color temperature as the color temperature value measured in step 5 is obtained.

3. Obtain the optimum focus on the corners of screen using **HDF PARA** and **HDF PHASE** of the menu.
4. Connect the 480/60I all white signal to the Y/G terminal of RGB/COMPONENT IN connector. Confirm that there is no color non-uniformity nor color error. If picture quality is deteriorated significantly, reduce the HDF PARA value on the menu and compromise the focus adjustment.

2-19. Focus Adjustment

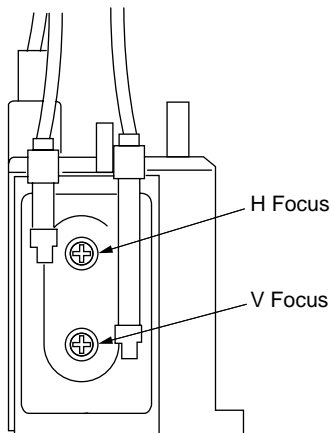
Find the following adjustment menu in the layer under the DEFLECTION menu of the service mode.

FOCUS

HDF PARA
HDF PHASE

1. Connect the 480/60I cross hatch signal to the Y/G terminal of RGB/COMPONENT IN connector.
2. Perform the coarse focus adjustment until focus is optimized at the center of screen using the following adjustments.

FBT Focus VR controls



Section 3

Safety Related Adjustment

This section explains the adjustment procedure when safety related component(s) is replaced. Perform the following adjustment when the safety related component(s) is replaced.

[Preparation]

Equipment Required

- Oscilloscope
Sony Tektronix 2465 or equivalent (with bandwidth of 350 MHz)
- NTSC/PAL/SECAM component signal generator
Sony Tektronix TG2000 +AVG1 (option module) +AWVG2 (option module) or equivalent
- Monoscope signal generator
ShibaSoku TP22AX or equivalent
- VG (programmable video signal generator)
VG814 or equivalent
- DC power supply
- Digital VOM
Advantest TR6845 or equivalent
- Slide induction transformer
- High tension voltmeter
- Ammeter
- Luminance meter
Minolta CA-110 or equivalent.
If the Minolta CA-110 is not available, perform the measurement by visual inspection by comparing the monitor that has already been adjusted earlier with the monitor that you want to adjust.

Note

Start the following adjustments after 5 minutes have passed after the main power is turned on.

When the parts (with a mark on the circuit diagram) shown below are replaced, confirm the matters described in items 3-1 and 3-2 shown below.

G board (HV protector circuit)

- D501, D516, IC502, IC503, IC602, PH602, Q607, Q609, Q610, Q613, R509, R510, R511, R514, R515, R516, R565, R638, R640, R653, R654, R663, T502 (FBT)

G board (IK protector circuit)

- D514, D625, IC502, IC505, IC602, PH602, Q607, Q609, Q610, Q613, R526, R527, R528, R529, R530, R531, R545, R546, R547, R548, R549, R551, R552, T502 (FBT)

G board (HV regulator circuit)

- IC504, R518, T502 (FBT)

D1 board (HV regulator circuit)

- IC1509, IC1510, R1568, R1577, R1578, R1579, R1580, R1581

3-1. High Tension Regulator Confirmation

1. Turn the POWER OFF.
2. Connect an electrostatic voltmeter to anode cap of CRT tube.
Electrostatic voltmeter : It must have input impedance of $2 \times 10^9 \Omega$ and have already been calibrated.
(Example : Singer ESH-27X or ESH-23X)
3. Supply AC power voltage of 130 V_{AC} to the unit and turn the POWER ON.
4. Input a 480/60i monoscope signal.
5. Press the BRIGHTNESS button and the CONTRAST button to put the unit into the PRESET state (center value).
6. Confirm that the high tension voltage value satisfies the standard value.
Standard value : 22.0 \pm 1.0 kV (14 inch)
26.5 \pm 1.0 kV (20 inch)

3. Confirm that the voltage between the cathode and GND of D501 on the G board satisfies the standard value.
Standard value : 20.5 \pm 1.5 V_{DC} (14 inch)
24.5 \pm 1.5 V_{DC} (20 inch)
4. Apply the following voltage between the cathode and GND of D501 on the G board, and confirm that the protector circuit is not activated.
23.0 \pm 0.5 V_{DC} (14 inch)
26.0 \pm 0.5 V_{DC} (20 inch)
5. Apply the following voltage between the cathode and GND of D501 on the G board, and confirm that the protector circuit is activated and raster disappears.
25.5 \pm 0.5 V_{DC} (14 inch)
30.5 \pm 0.5 V_{DC} (20 inch)
6. Input a 480/60i all-white signal and set the BRIGHT and CONTRAST VRs on the User Control screen of the menu, to MAX.
7. Confirm that the voltage between the cathode and GND of D501 on the G board satisfies the standard value.
Standard value : 22.0 \pm 1.5 V_{DC} (14 inch)
26.5 \pm 1.5 V_{DC} (20 inch)

3-2. Protection Circuit Confirmation

3-2-1. HV Protector Circuit Confirmation

1. Supply AC power voltage of 130 V_{AC} to the unit and turn the POWER ON.
2. Input a 480/60i all-black signal and set the BRIGHT and CONTRAST VRs on the User Control screen of the menu, to MIN.

3-2-2. 1K Protector Circuit Confirmation

1. Supply AC power voltage of 130 V_{AC} to the unit and turn the POWER ON.
2. Input a 480/60i all-black signal.
3. Press the BRIGHTNESS button and the CONTRAST button to put the unit into the PRESET state (center value).
4. Connect a constant current source to the center point between R527 and R528 on the G board and let the current of -1,500.0 μ A flow into the circuit. Confirm that the protector circuit is activated and raster disappears.

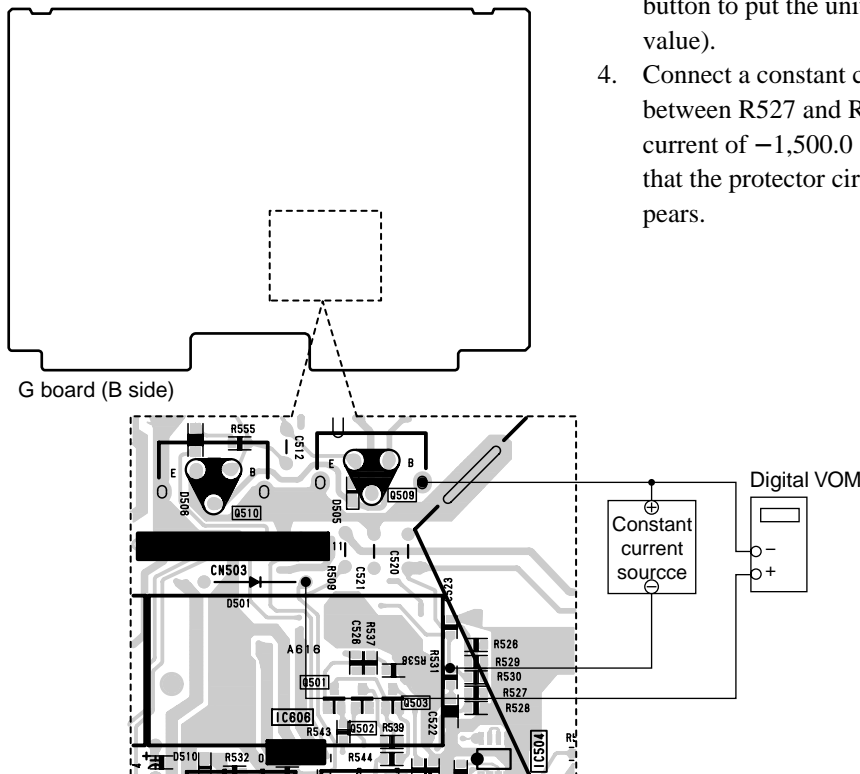


Fig3-1

Section 4

Electrical Adjustments

4-1. Equipment Required

- Oscilloscope
Sony Tektronix 2465 or equivalent (with bandwidth of 350 MHz)
- NTSC/PAL/SECAM component signal generator
Sony Tektronix TG2000 +AVG1 (option module) +AWVG1 (option module) or equivalent
- Monoscope signal generator
ShibaSoku TP22AX or equivalent
- VG (programmable video signal generator)
VG814 or equivalent
- Frequency counter
Advantest TR5821AK or equivalent
- Digital VOM
Advantest TR6845 or equivalent
- Variable auto-transformer
- High tension voltmeter
- DC power supply
- Ammeter
- Luminance meter
Minolta CA-110 or equivalent.
If the Minolta CA-110 is not available, perform the measurement by visual inspection by comparing the monitor that has already been adjusted earlier with the monitor that you want to adjust.

Note

Start the following adjustments after 5 minutes have passed after the main power is turned on.

4-2. B Board Adjustments

4-2-1. Preparations

1. Test point

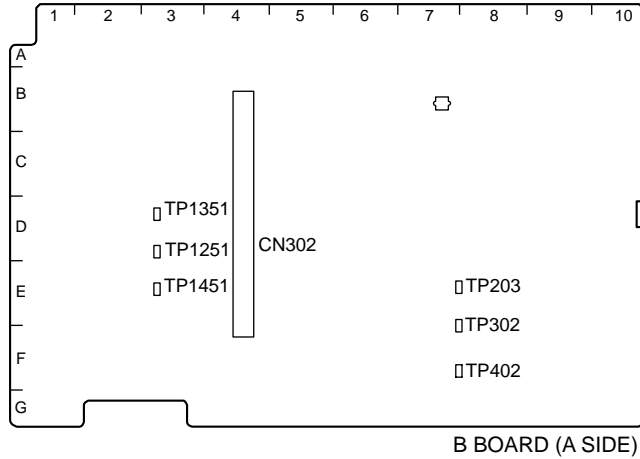


Fig. 4-1

2. Preparation of signals

The B board can process various formats of video signal. The B board must be adjusted for each type of video signal format respectively. Input the signals that meet the following specifications to the connectors on the rear panel of the unit. The component signal should be the Sync-on-Green signal.

Signal			Signal level (mV)
RGB	-	100 % Color bar R	700
		G	700
		B	700
Component	SMPTE/EBU-N10	100 % Color bar Y	700
		B-Y	700
		R-Y	700
		75 % Color bar Y	700
		B-Y	525
		R-Y	525
	BETACAM SETUP	100 % Color bar Y	714
		B-Y	1009
		R-Y	1009
		75 % Color bar Y	714
	B-Y	756	
	R-Y	756	
BETACAM SETUP 7.5	100 % Color bar Y	714	
	B-Y	933	
	R-Y	933	
	75 % Color bar Y	714	
B-Y	700		
R-Y	700		
Composite	358NTSC/443NTSC	100 % White	714
		75 % White	536
		Burst	286
	PAL/SECAM	100 % White	700
		75 % White	525
		White	300

Fig. 4-1

3. Connection diagram

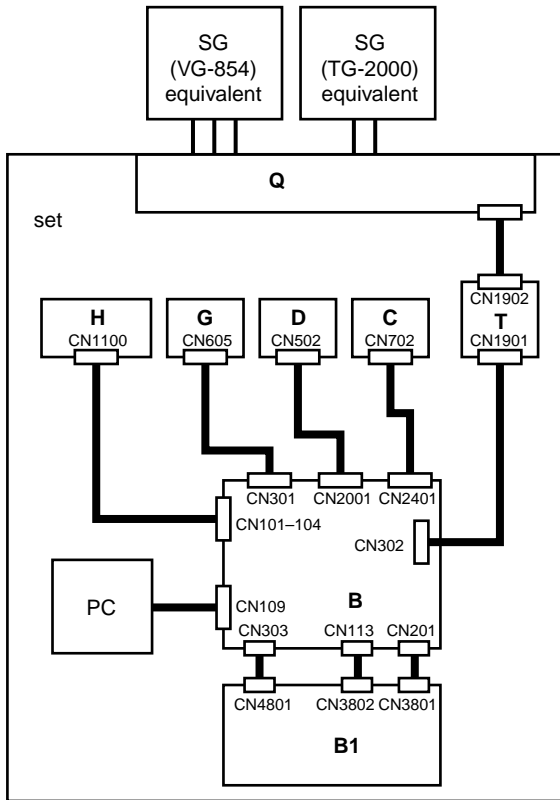


Fig. 4-2

4-2-2. 15k YPBPR SMPTE (601) Signal Adjustment

4.2-2-1. Black Level Adjustment

1. Input the 15 kHz/60 Hz YPBPR SMPTE (601) 100 % color bar signal to the RGB/COMPONENT connector.
2. Press the RGB/CMPNT switch on the operation panel to select YPBPR.
3. Set YPBPR MATRIX on the MENU to 601. (Applicable for PVM-D14L5J/D20L5/14L4/20L4 only)
4. Connect an oscilloscope to TP203.
5. Adjust Y/G BLACK (A2-8B) data on the MENU so that the pedestal portion becomes flat.

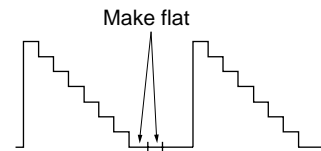


Fig. 4-3

6. Connect an oscilloscope to TP302.
7. Adjust PB/B BLACK (A2-8D) data on the MENU so that the pedestal portion becomes flat.

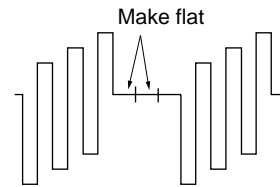


Fig. 4-4

8. Connect an oscilloscope to TP402.
9. Adjust PR/R BLACK (A2-94) data on the MENU so that the pedestal portion becomes flat.

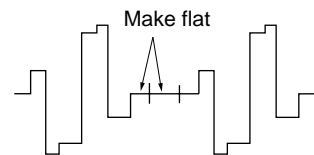
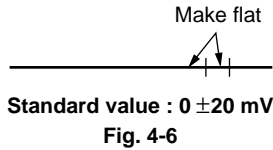


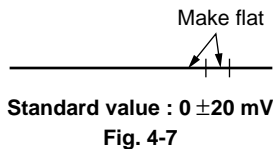
Fig. 4-5

4-2-2-2. CHROMA Leak Adjustment

1. Set the CHROMA to "0" using the PC tools.
2. Connect an oscilloscope to TP302.
3. Adjust the CHROMA PB (A2-8A) data on the MENU so that the pedestal portion becomes flat.

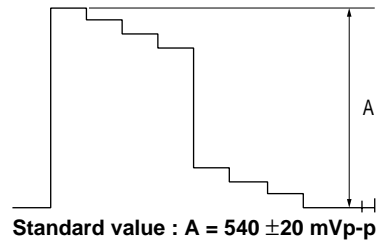


4. Connect an oscilloscope to TP402.
5. Adjust the CHROMA PR (A2-89) data on the MENU so that the pedestal portion becomes flat.



4-2-2-3. MATRIX Adjustment

1. Connect an oscilloscope to TP1251.
2. Adjust the Y LEVEL (A2-87) data on the MENU so that the amplitude becomes the standard.



3. Remove the difference in amplitudes between the first step and the second step of the waveform with G-Y/B (A2-AA) on the MENU. Remove the difference in amplitudes between the second step and the third step of the waveform with G-Y/R (A2-9C) on the MENU. Repeat the adjustments until the top peak of the waveform becomes flat.

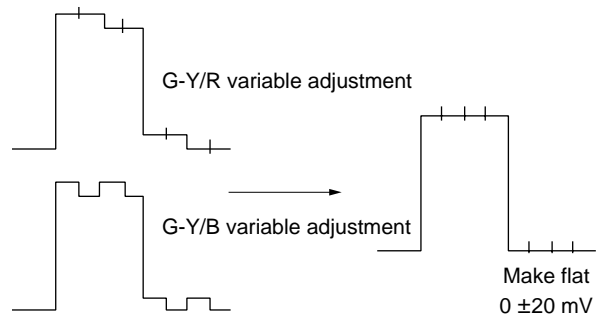


Fig. 4-9

4. Connect an oscilloscope to TP1351.
5. Adjust the PB LEVEL (A2-E1) data on the MENU so that the first step and the fourth step of the waveform have the same amplitude.

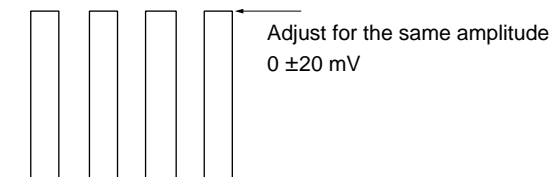


Fig. 4-10

6. Connect an oscilloscope to TP1451.
7. Adjust the PR LEVEL (A2-B9) data on the MENU so that the first step and the second step of the waveform have the same amplitude.

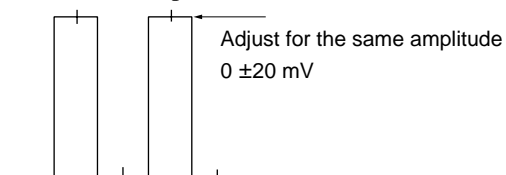
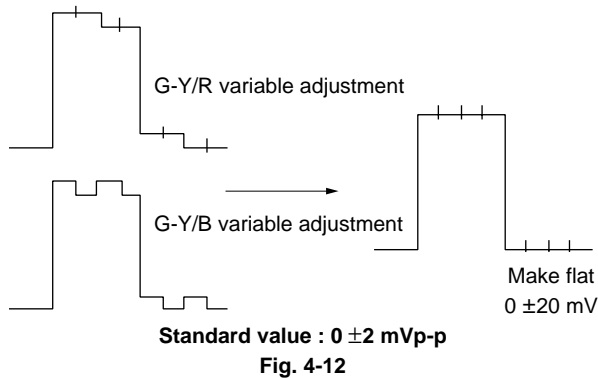


Fig. 4-11

4-2-3. 15k YPBPR BETACAM SETUP 0 Signal Adjustment

1. Input the 15 kHz/60 Hz YPBPR BETACAM SETUP 0 color bar signal to the RGB/COMPONENT connector.
2. Press the RGB/CMPNT switch on the operation panel and select YPBPR BETA 0.
3. Connect an oscilloscope to TP1251.
4. Adjust the G-Y/B (A2-AB) on the MENU so that the second step of the waveform has the standard value. Remove the difference in amplitudes between the second step and the third step of the waveform with G-Y/R (A2-9D) on the MENU. Adjust finely until the top peak from the second step to the fourth step of the waveform has the same amplitude.



5. Connect an oscilloscope to TP1351.
6. Adjust the PB LEVEL (A2-E3) data on the MENU so that the first step and the fourth step of the waveform have the same amplitude.

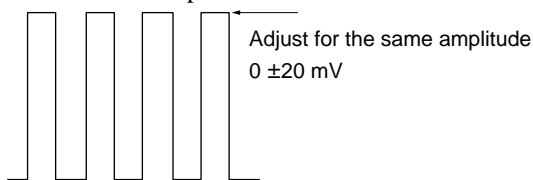


Fig. 4-13

7. Connect an oscilloscope to TP1451.
8. Adjust the PR LEVEL (A2-BB) data on the MENU so that the first step and the second step of the waveform have the same amplitude.

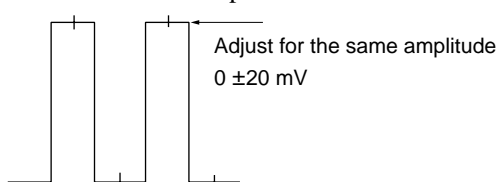
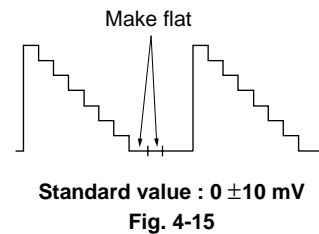


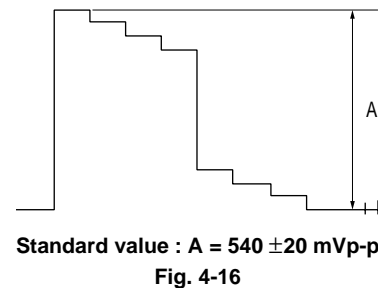
Fig. 4-14

4-2-4. 15k YPBPR BETACAM SETUP 7.5 Signal Adjustment

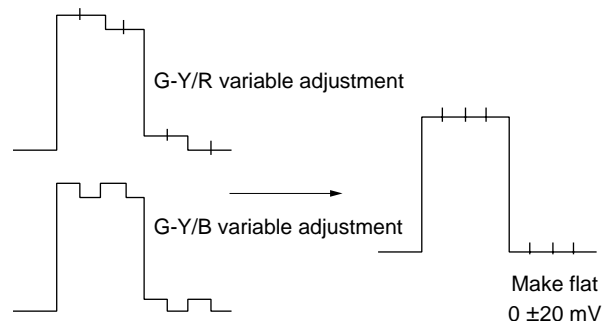
1. Input the 15 kHz/60 Hz YPBPR BETACAM SETUP 7.5 color bar signal to the RGB/COMPONENT connector.
2. Press the RGB/CMPNT switch on the operation panel and select YPBPR BETA 7.5.
3. Connect an oscilloscope to TP203.
4. Adjust Y/G BLACK (A2-8C) data on the MENU so that the pedestal portion becomes flat.



5. Connect an oscilloscope to TP1251.
6. Adjust the Y LEVEL (A2-88) data on the MENU so that the amplitude becomes the standard value.



7. Adjust the G-Y/B (A2-AC) on the MENU so that the second step of the waveform has the standard value. Remove the difference in amplitudes between the second step and the third step of the waveform with G-Y/R (A2-9E) on the MENU. Adjust finely until the peak portion from the second step to the fourth step of the waveform has the same amplitude.



8. Connect an oscilloscope to TP1351.
9. Adjust the PB LEVEL (A2–E4) data on the MENU so that the first step and the fourth step of the waveform have the same amplitude.

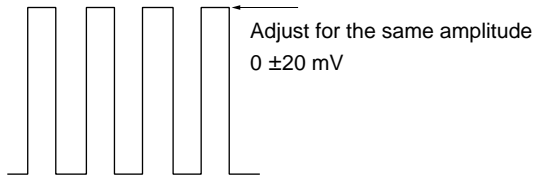


Fig. 4-18

10. Connect an oscilloscope to TP1451.
11. Adjust the PR LEVEL (A2–BC) data on the MENU so that the first step and the second step of the waveform have the same amplitude.

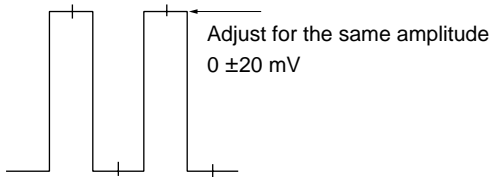


Fig. 4-19

4-2-5. 33 k YPBPR SMPTE (709) Signal Adjustment

1. Input the 33 kHz/60Hz YPBPR SMPTE (709) 100 % color bar signal to the RGB/COMPONENT connector.
2. Connect an oscilloscope to TP302.
3. Adjust PB/B BLACK (A2–8E) data on the MENU so that the pedestal portion becomes flat.

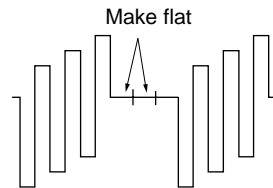


Fig. 4-20

4. Connect an oscilloscope to TP402.
5. Adjust PR/R BLACK (A2–95) data on the MENU so that the pedestal portion becomes flat.

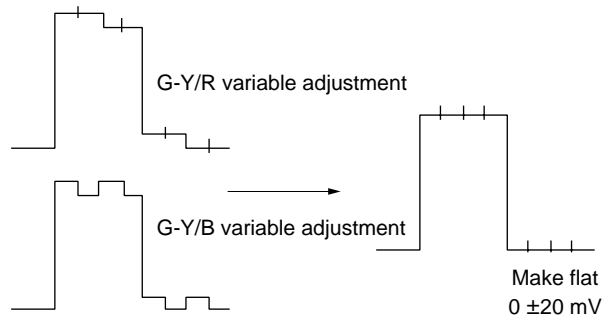


Fig. 4-21

6. Connect an oscilloscope to TP1251.
7. Remove the difference in amplitudes between the first step and the second step of the waveform with G-Y/B (A2–A9) on the MENU. Remove the difference in amplitudes between the second step and the third step of the waveform with G-Y/R (A2–9B) on the MENU. Repeat the adjustments until the top peak portion becomes flat.

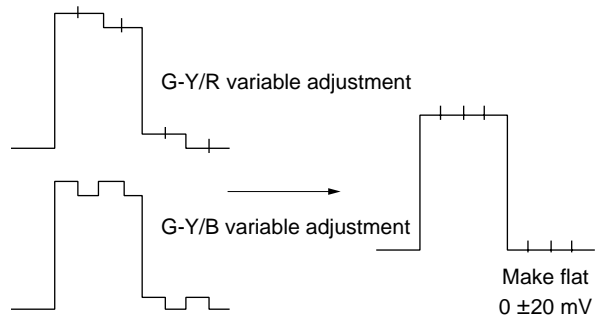


Fig. 4-22

8. Connect an oscilloscope to TP1351.
9. Adjust the PB LEVEL (A2–E0) data on the MENU so that the first step and the fourth step of the waveform have the same amplitude.

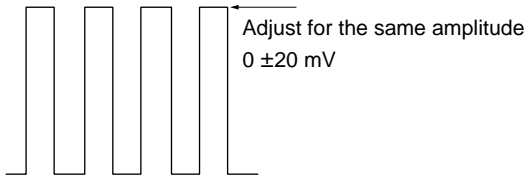


Fig. 4-23

10. Connect an oscilloscope to TP1451.
11. Adjust the PR LEVEL (A2–B8) data on the MENU so that the first step and the second step of the waveform have the same amplitude.

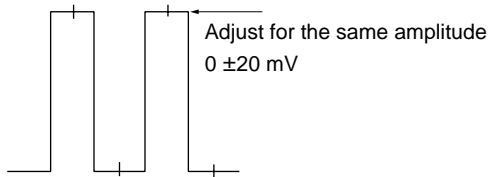


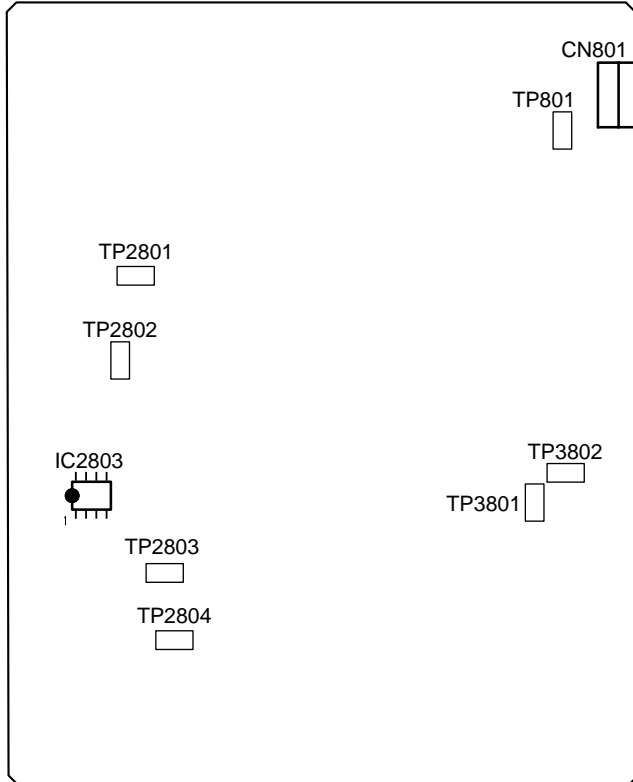
Fig. 4-24

4-3. B1 Board Adjustments

Before starting the B1 board adjustment, be sure that adjustment of the B board has already been completed earlier.

4-3-1. Preparation

1. Measurement points



B1 BOARD (A SIDE)

Fig. 4-25

2. Preparation of signals

The B board can process various formats of video signal. The B board must be adjusted for each type of video signal format respectively. Input the signals that meet the following specifications to the connectors on the rear panel of the unit.

Signal level			Signal input (mV)
Composite	358NTSC/ 443NTSC	100 % white	714
		75 % white	536
		Burst	286
	PAL/ SECAM	100 % white	700
		75 % white	525
		Burst	300

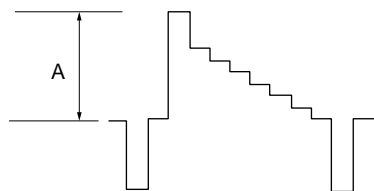
Table. 4-2

3. Connection diagram

For the connection method of the B1 board, refer to section 4-2-1. Item 3.

4-3-2. Y OUT Level Adjustment (BYPASS Mode)

1. Input the Y-signal of the SMPTE/EBU N-10 level without burst to the VIDEO IN connector of LINE A.
2. Adjust Y LEVEL (AE-08) in the menu until the signal level at TP801 meets the standard value.

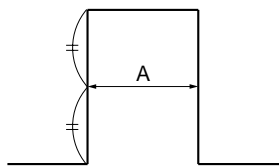


Standard value : $A = 620 \pm 10 \text{ mv}$

Fig. 4-26

4-3-3. Clamp Pulse Width Adjustment (NTSC)

1. Input the NTSC 100 % color bar signal to the VIDEO IN connector of INPUT A.
2. Adjust CLP W (A-02) of the menu until the pulse width at TP2801 meets the standard value.

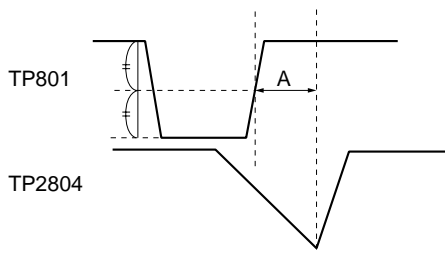


Standard value : $A = 1.5 \pm 0.25 \text{ } \mu\text{sec}$

Fig. 4-27

4-3-4. Burst Gate Pulse Width Adjustment (NTSC)

1. Input the NTSC 100 % color bar signal to the VIDEO IN connector of INPUT A.
2. Adjust BGP W (AE-10) of the menu until the waveform at TP2804 meets the standard value with reference to the waveform at TP801.



Standard value : $A = 3.4 \pm 0.1 \text{ } \mu\text{sec}$

Fig. 4-28

4-3-5. 3.58 f0 Adjustment (NTSC)

1. Input the NTSC 100 % color bar signal to the VIDEO IN connector of INPUT A.
2. Short circuit IC2803 pin-① and TP2803 (5 V).
3. Adjust F0 (AE-1A) of the menu until the waveform at TP3802 moves slowly as shown.

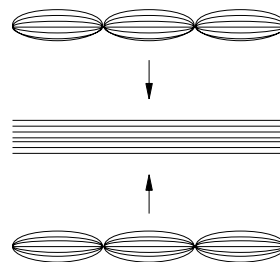
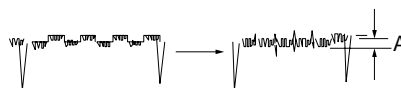


Fig. 4-29

4-3-6. Phase Adjustment (NTSC)

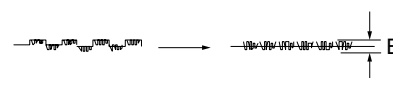
1. Input the NTSC color bar signal in which B-Y signal is turned OFF, to the RGB/COMPONENT connector.
2. Adjust the SUB PHASE of the menu until waveform at TP3802 becomes flat as shown.



Standard value : $A = 10 \text{ mV}$ or less

Fig. 4-30

3. Input the NTSC color bar signal in which R-Y signal is turned OFF, to the RGB/COMPONENT connector.
4. Adjust the R-Y PHASE (AE-16) of the menu until waveform at TP3801 becomes flat as shown.

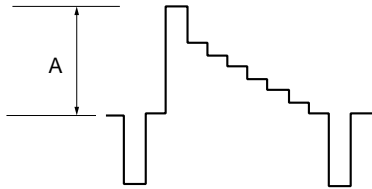


Standard value: $B = 10 \text{ mV}$ or less

Fig. 4-31

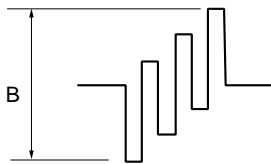
4-3-7. Level Adjustment (NTSC)

1. Input the NTSC 100% color bar signal to the VIDEO IN connector of INPUT A.
2. Adjust Y LEVEL (AE-04) of the menu until the waveform at TP801 meets the standard value.



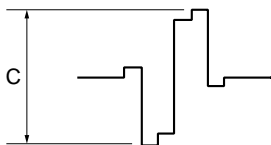
Standard value : $A = 620 \pm 10 \text{ mV}$
Fig. 4-32

3. Adjust PB LEVEL (AE-1C) of the menu until the waveform at TP3802 meets the standard value.



Standard value : $B = 620 \pm 10 \text{ mV}$
Fig. 4-33

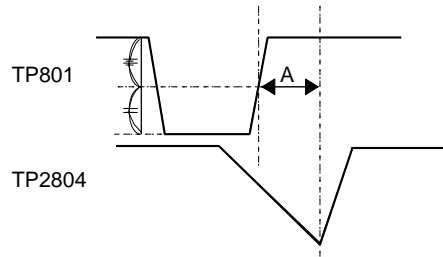
4. Adjust PR LEVEL (AE-24) of the menu until the waveform at TP3801 meets the standard value.



Standard value : $C = 620 \pm 10 \text{ mV}$
Fig. 4-34

4-3-8. Burst Gate Pulse Width Adjustment (PAL)

1. Input the PAL 100 % color bar signal to the VIDEO IN connector of INPUT A.
2. Adjust BGP W (A-11) of the menu until the waveform at TP2804 meets the standard value with reference to the waveform at TP801.



Standard value : $A = 3.8 \pm 0.1 \mu\text{sec}$
Fig. 4-35

4-3-9. 4.43 f0 Adjustment (PAL)

1. Input the PAL 100 % color bar signal to the VIDEO IN connector of INPUT A.
2. Short circuit IC2803 pin-1 and TP2803 (5 V).
3. Adjust F0 (AE-1B) of the menu until the waveform at TP3802 moves slowly as shown.

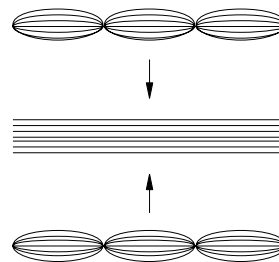


Fig. 4-36

4-3-10. PAL B-Y PHASE Adjustment

1. Input the PAL 100 % color bar signal to the VIDEO IN connector of INPUT A.
2. Adjust SUB PHASE (AE-30) of the menu until the R-Y Anti-PAL signal waveform at TP3802 becomes "0" as shown.

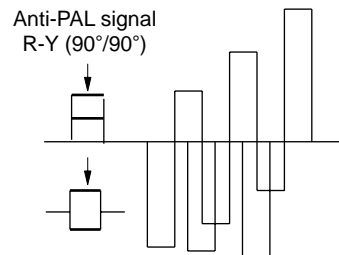


Fig. 4-37

Note that the Anti-PAL changes every 1H. Therefore, make adjustment so that the average value becomes "0".

4-3-11. PAL PHASE Adjustment (Normal)

1. Input the PAL SP color bar signal to the VIDEO IN connector of INPUT A.
2. Adjust R-Y PHASE (AE-17) of the menu until the B-Y Anti-PAL signal waveform at TP3801 becomes "0" as shown.

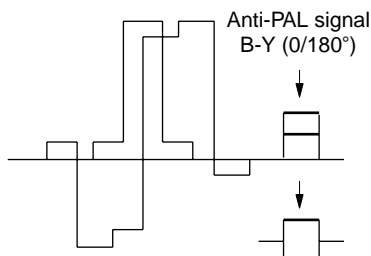
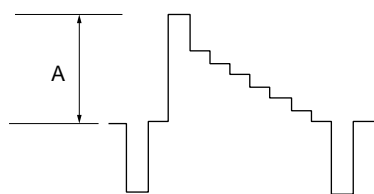


Fig. 4-38

4-3-12. Level Adjustment (PAL)

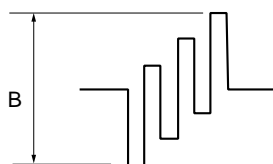
1. Input the PAL SP color bar signal to the VIDEO IN connector of INPUT A.
2. Adjust Y LEVEL (AE-05) of the menu until the waveform at TP801 meets the standard value.



Standard value : A = 620 ±10 mV

Fig. 4-39

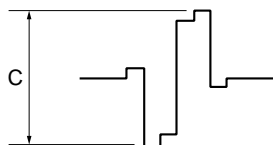
3. Adjust PB LEVEL (AE-10) of the menu until the waveform at TP3802 meets the standard value.



Standard value : B = 620 ±10 mV

Fig. 4-40

4. Adjust PR LEVEL (AE-25) of the menu until the waveform at TP3801 meets the standard value.

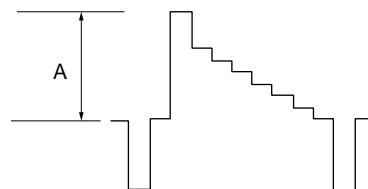


Standard value : C = 620 ±10 mV

Fig. 4-41

4-3-13. Level Adjustment (NTSC 443)

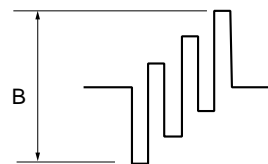
1. Input the NTSC 443 100 % color bar signal to the VIDEO IN connector of INPUT A.
2. Adjust Y LEVEL (AE-06) of the menu until the waveform at TP801 meets the standard value.



Standard value : A = 620 ±10 mV

Fig. 4-42

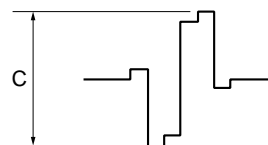
3. Adjust PB LEVEL (AE-1E) of the menu until the waveform at TP3802 meets the standard value.



Standard value : B = 620 ±10 mV

Fig. 4-43

4. Adjust PR LEVEL (AE-26) of the menu until the waveform at TP3801 meets the standard value.



Standard value : C = 620 ±10 mV

Fig. 4-44

5. Adjust SUB PHASE (AE-2E) of the menu until the portions B and C of the waveform at TP1351 on the B board become flat.

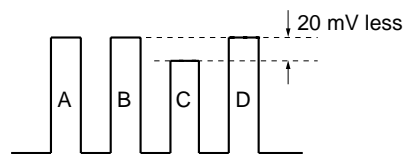


Fig. 4-45

6. Adjust R-Y PHASE (AE-18) of the menu until the portions C and D of the waveform at TP1451 on the B board become flat.

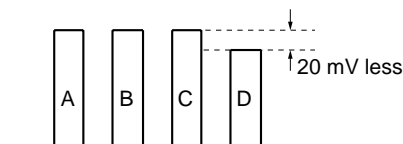
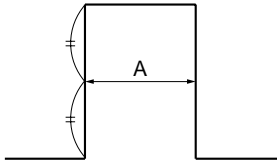


Fig. 4-46

4-3-14. Clamp Pulse Width Adjustment (SECAM)

1. Input the SECAM 100 % color bar signal to the VIDEO IN connector of INPUT A.
2. Adjust CLP W (AE-01) of the menu until the pulse width at TP2801 meets the standard value.

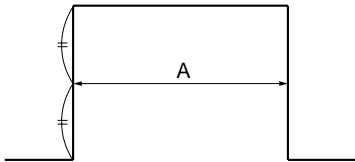


Standard value : $A = 3.0 \pm 0.25 \mu\text{sec}$

Fig. 4-47

4-3-15. H. Pulse Width Adjustment (SECAM)

1. Input the SECAM 100 % color bar signal to the VIDEO IN connector of INPUT A.
2. Adjust HP (AE-03) of the menu until the pulse width at TP2802 meets the standard value.

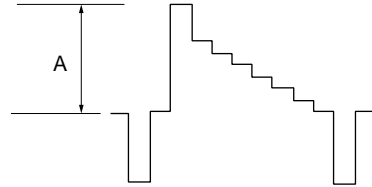


Standard value : $A = 10.0 \pm 0.25 \mu\text{sec}$

Fig. 4-48

4-3-16. Level Adjustment (SECAM)

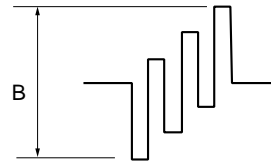
1. Input the SECAM 100 % color bar signal to the VIDEO IN connector of INPUT A.
2. Adjust Y LEVEL (AE-07) of the menu until the waveform at TP801 meets the standard value.



Standard value : $A = 620 \pm 10 \text{ mV}$

Fig. 4-49

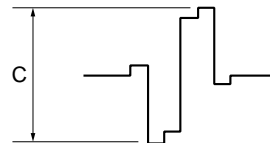
3. Adjust PB LEVEL (AE-1F) of the menu until the waveform at TP3802 meets the standard value.



Standard value : $B = 620 \pm 10 \text{ mV}$

Fig. 4-50

4. Adjust PR LEVEL (AE-27) of the menu until the waveform at TP3801 meets the standard value.



Standard value : $C = 620 \pm 10 \text{ mV}$

Fig. 4-51

Section 5

Theory of Operation

5-1. B Board

1. Input selector

IC201 switches the input signals of either CN201 input (VIDEO1, 2, Y/C) or CN302 input (COM/RGB, OP1, 2).

2. Clamp circuit (1)

Pedestal level of the Y/G signal is clamped to the pedestal voltage by the Y-CL-P pulse at IC202 (3/3) (analog switch) using the sample-and-hold circuit. In IC203 (1/2), the pedestal voltage is compared with the reference voltage (Y/G black voltage) so that the error voltage control the bias current of the Y/G signal clamp circuit (Q201 to Q203) until the pedestal level is kept constant always. Pedestal levels of the PB/B signal and the PR/R signal are also controlled in the same way, but their clamp pulses are clamped by the C-CLP-P pulse.

3. Black level insertion circuit

The Y/G signal is sampled-and-held at IC202 (2/3) by the H. BLK1 pulse of the deflection system. The Y/G BLACK is adjusted so that the pulse-insertion period has the same level as the pedestal level. The pulse-insertion period of the PB/B signal and the PR/R signal are also controlled in the same way.

4. Matrix circuit

The Y, R-Y, and B-Y signals are converted to the R, G and B signal by the matrix circuit when the Y, PB and PR signals are input.

IC204 is the Y level adjustment amplifier. IC304 and IC404 are the chroma signal amplifier.

The R signal is generated by adding the Y signal and the R-Y signal supplied from IC1401 (PR gain control) at Q1403.

The G signal is generated by adding the R-Y signal and the B-Y signal to the Y signal at Q463. The R-Y signal that is supplied through IC1401 (PR gain control) is added to the B-Y signal that is supplied through IC1301 (PB gain control), at Q1203. Mixing ratio of these signals is determined by R1205, R1206 and R1207.

The B signal is generated by adding the Y signal and the B-Y signal supplied from IC1301 (PB gain control) at Q1402.

5. RGB selector switch

IC1451 selects either the RGB signal or the YPBPR signal (matrix circuit).

6. Clamp circuit (2)

The R signal is sampled-and-held at IC1453 (3/3) by the timing pulse of deflection system. IC1452 compares this voltage with the reference voltage so that the error signal control the DC bias of the R signal amplifier (Q1451 to Q1453) until the pedestal level is kept to a constant level all the time. The G and B signals are controlled of their pedestal level in the same way.

7. OSD insertion circuit

The R signal OSD is inserted at IC1453 (2/3) by inserting the OSD blanking at IC1453 (1/3). IC106 (OSD IC) also uses this signal line because it generates the window signal for AUTO WHITE BALANCE adjustment. The G signal OSD and the B signal OSD receives the same processing.

8. CXA139S peripheral circuit

The RGB input signal is used during normal operation. The color difference input signals are used only during the blue-only mode.

9. ABL circuit

The ABL circuit consists of Q2006 for PIC ABL and Q2005 for BRT ABL. Respective emitters receive the ABL voltage from deflection block and bases receive the DC voltages that are generated by voltage-dividing. Respective collectors are connected to pin-46 (PIC control) and pin-7 (BRT control of IC2001). When these transistors turn on, the respective control voltages decrease so that the ABL operation is implemented. At the same time, Q2007 switches the peak voltage depending on the picture sizes of either 16 : 9 or 4 : 3.

10 Auto chroma phase control

The RGB signals that are output from IC2001 are read by the main microprocessor so that the PR LEVEL (IC1301) and the PB LEVEL (IC1401) are automatically controlled until the R and B sampled levels match.

11. Aperture correction circuit

The APERTURE signal compensates the response at 5 MHz with DL251 and DL252 in the modes of 480/60I and 575/50I. It compensates the response at 16 MHz with DL253 and DL254 in the modes of all other frequencies. DL404 and DL405 are the delay lines that compensate the Y signal delay time. DL351 and DL352 are the delay lines that compensate the PB signal delay time. DL451 and DL452 are the delay lines that compensate the PR signal delay time. Amount of delay compensation can be variably adjusted in the range of 2 to 6 dB by the APERTURE amplifier when APERTURE is ON.

12. Sync separator circuit

IC1001 (2/3), IC1001 (3/3), Q1002 and Q1003 switch the signal signals depending on the mode of 480/60I and 575/50I, or other modes. Sync signal is separated by the sync agc circuit of Q1004 to Q1019. IC1001 (1/3) selects either INT SYNC or EXT SYNC. IC1053, Q1053, Q1054, Q1056 and Q1058 extract equalizing pulse. IC1056, IC1057, IC1058 and IC1059 are the horizontal sync separator circuit. Q1057, Q1058, Q1060 and IC1055 are the vertical sync separator circuit. IC1054 is the selector switch because the already separated horizontal sync and the vertical sync signals are supplied in the SDI signal mode only.

13. System control

IC1101 (system control CPU) of the M board controls the entire system of this machine. Various setups are saved in IC104 and IC108 (EEPROM).

14. Internal bus

For each of the deflection circuit and the signal circuits, power conversion is executed by Q110 and Q111, and the control by the I²C bus applies. Operations of the I²C bus are controlled by the general-purpose port of IC1101 (M board) that is again controlled by software.

15. Character generator and internal signal generator

IC106 is the generator IC for menu display and others. IC110 generates the 4 : 3 marker signal and other various automatic adjustment signals. Output of these two ICs are mixed at IC53 and IC54.

16. Parallel remote

IC3770 of Q board reads status of the parallel remote connector and transfers the data to the CPU in the IC1101 (M board).

17. Serial communication driver

IC3750 and IC3751 of the Q board are the RS-485 driver. IC1101 (M board) receives the serial remote signal information and implements the required controls.

5-2. BI Board

1. Y/C Separator Circuit

1-1. NTSC/PAL mode

The composite input signal that is input through the Q board is band-width limited by FL801, amplified by Q803/Q804, passed through the digital comb filter (IC801 pin-25) so that it is separated to the Y signal and the chroma signal. Since IC801 uses the digital output, the input signal is converted from digital to analog in IC802. The Y signal passes through FL804 where the signal components of the unwanted bandwidth are removed, and is output after passing through the amplifier (Q812, Q813), switch circuit (IC804, IC804, and IC805) and the Y-level adjustment amplifier (IC806). The chroma signal passes through FL2801 where the signal components of the unwanted bandwidth are removed, and is sent to the chroma decoder circuit (IC2804) after passing through the amplifier (Q2803, Q2804) and the switch circuit (IC2803).

1-2. SECAM mode

The composite input signal is bandwidth limited by FL801, amplified by Q803/Q804 and passes through the chroma trap (FL802, FL803) where chroma signal component is removed. The Y signal is output after passing through the switch circuit (IC803, IC804, and IC805) and the Y-level adjustment amplifier (IC806).

2. Sync Separator and AFC Circuit

The sync signal is separated from the composite input signal by IC2801. The VD signal and the HD signal whose frequency is stabilized by the AFC circuit are generated. At the same time, the sync signal is separated from the Y input signal by IC2806. The SYNC signal and the AFC P signal whose frequency is stabilized by the AFC circuit are generated.

3. Generation of HP and CLP

The HD signal triggers the one shot multi-vibrator (IC2802) that generates the CLP signal for IC801, and the HP signal and the CLP signal for the SECAM decoder. The HP voltage (IC2805) sets the CLP voltage (IC2805) sets pulse width of the CLP signal and the pulse width of the HP signal.

4. NTSC/PAL Decoder Circuit

The chroma signal that is output from the Y/C separator circuit, passes through Q2809 and is input to pin-5 of IC2804 via the phase shift circuit (Q2811, Q2812). The ACC PHASE voltage (IC4803) sets amount of phase shift of this circuit. The chroma signal takes the two paths at IC2804. One signal is output to pin-3 via ACC circuit and the other path is input to the APC circuit via the TINT circuit, that controls VCXO (X2802 : NTSC, X2801 : PAL) at pin-11/-13. The ACC level is set by the ACC LEV voltage (IC4803) at pin-4. The PHASE voltage (IC4803) and the SUB PHASE voltage (IC4803) at pin-12 set the oscillating phase of VCXO. The F0 voltage (IC4803) sets the free running frequency of VCXO. The chroma signal output from the ACC circuit takes the two signal paths. One is the R-Y signal system and other is the B-U signal system. The chroma signal that is input to the R-Y signal system is input to IC2804 pin-19 via the phase shift circuit (Q3801, Q3802), where the chroma signal is decoded to the R-Y signal and is output from pin-23. The R-Y PHASE voltage (IC4803) sets amount of phase shift. The chroma signal that is input to the B-Y signal system is input to IC2804 pin-15 via the phase shift circuit (Q3803, Q3804), where the chroma signal is decoded to the B-Y signal and is output from pin-22.

5. NTSC Low-pass Filter

The R-Y signal that is output from IC2804 pin-23 passes through the active low-pass filter (Q3809 to Q3812) and is output via the switch circuit (IC3804, IC3806) and the level adjustment circuit (IC3807). The B-Y signal takes the equivalent circuit.

6. PAL Low-pass Filter

The R-Y signal that is output from IC2804 pin-23 passes through the active low-pass filter (Q3809, Q3810) and is input to IC3802 pin-16. IC3802 contains the built-in 1H delay circuit using a line memory. The output signal after 1H delay is added to the non-delayed signal at pin-11 and is output. The R-Y signal from pin-11 is output via the switch circuit (IC3804, IC3806) and the level adjustment circuit (IC3807). The B-Y signal takes the equivalent circuit.

7. KILLER Detection Circuit

When the NTSC/PAL signal is input, Q4802 turns on. When the input signal is black-and-white signal, voltage at pin-25 (KILLER FILTER) of IC2804 increases. This voltage is compared with the reference signal at IC3801 (1/2) that generates the KILLER signal.

When the SECAM signal is input, Q4802 turns off. Voltage at pin-18 (SECAM) of IC4801 goes HIGH that becomes the KILLER signal.

8. Control Circuit

System of this unit is controlled by IC1101 (system control CPU) on the M board. Various setups are stored in IC4804 (EEPROM). The adjustment data of IC4804 is read and D/A converted to output the adjustment voltage from the D/A converter (IC2805, IC4803).

5-3. C Board

PVM-OO L5 series

IC701 is the R signal drive IC. Q704 is the auto cut-off circuit. The output pulse flows through R755 when Q704 turns on. The reference pulse that is converted from current to voltage by R755, enters IC2001 pin-25 via Q2003 on the B board where it drives the auto cut-off circuit. Amplification factor of the signal is determined by R720 and R724, and is 29 dB. The above circuit operations apply to the G and B signals in the same way.

5-4. Deflection Circuit and High Tension Circuit

The following circuits consisting the deflection circuit and high-tension circuit, are contained the three circuit boards of G board, D1 board and D board.

Parts and components in the G board have the parts reference number of 500 series. Parts and components in the D1 board have the parts reference number of 1500 series.

Parts and components in the D board have the parts reference number of 2500 series.

1. Sync signal processing circuit

The horizontal and vertical sync signals that are input from CN2504 (pin-4/pin-12) on the D board, are sent to the D1 board via CN2507. In the D1 board, the horizontal and vertical sync signals pass through the H/V delay timing circuit consisting of IC1501, IC1503 and IC1507, receive the waveform processing in IC1504 and IC1508, and then are sent to the deflection signal processor IC1505.

IC1505 generates the various waveforms of the horizontal drive waveform, dynamic focusing parabolic waveform, picture distortion correction parabolic waveform, vertical drive waveform and H/V blanking waveform. Output of these waveforms is directly controlled by microprocessor via I²C.

The horizontal free running frequencies are adjusted respectively in the modes of 480/60i (15.734 kHz), 480/60p (31.5 kHz), 1080/60i (33.75 kHz) and 720/60p (45.0 kHz). The horizontal free running frequency in the case when there is no video input signal, is the frequency that is locked immediately before the input video signal disappears. If there is not video input signal when the main power is turned on, the horizontal free running frequency is 15 kHz.

2. PWM control circuit generating the +B power voltages for the deflection circuit and high-tension circuit

The PWM control circuit generating the +B power voltage, consists of IC1509 and the peripheral circuit. The deflection distortion correction signal that is output from IC1505 pin-8 is compared with the feedback voltage from the horizontal output circuit. The comparator output is used as the PWM control signal for horizontal deflection. The PWM control signal is output from IC1509 pin-11. This PWM control signal is sent to the +B power regulator circuit consisting of Q2504 and the peripheral circuit where the H size and deflection distortion are controlled.

The reference voltage that is generated by IC1510 is input pin-16 and is compared with the high-tension voltage detector output of FBT that is input to pin-17. The comparator output is used as the PWM control signal for high-tension voltage. The PWM control signal is output from IC1509 pin-13. This PWM control signal is sent to Q511 and the peripheral circuit where the high-tension voltage is controlled. The PWM control signal that is output from IC1509 receives the DTC (dead time control) to prevent the horizontal drive circuit and the high-tension output circuit in the case of sharp change of input signal frequency. DTC operates as follows. When the input signal is switched, the unlock signal that is output from microprocessor is used so that the DTC signal is input to pin-6 via the switches Q1506 and Q1508 that control the PWM signal to decrease the horizontal and high tension +B regulator output voltage tentatively.

3. Horizontal output circuit

The horizontal drive signal that is output from IC1505, is amplified by the horizontal drive circuit consisting of Q2505, Q2506, Q2507 and the peripheral circuit, drives T2502 (HDT) and Q2508 (H OUT). The H pulse that is generated by resonance between C2533, C2553 and the DYH winding coil impedance, is voltage-divided and is shaped of its waveform by IC2504 and the peripheral circuit. The H pulse is then supplied not only to IC1505 pin-14 as the AFC pulse but also supplied to the B board. The horizontal deflection current is detected of its amplitude by T2503, Q2537 and the peripheral circuit, and is fed back to the PWM control circuit.

Switching of the S-shape compensation capacitors is done by Q2512, Q2513, Q2514, Q2515, Q2509 and Q2510. Switching of the S-shape compensation capacitors is done at the three points of the horizontal frequency 15 kHz, 27 to 33.75 kHz and 37 to 45 kHz. Switching of the horizontal linearity coils is done by RY2501 when the 15 kHz signal is input. The H centering circuit consists of IC2503, Q2503 and IC2502. The H centering adjustment is performed by amplifying the H CENT DC signal output from IC1506 (D/A) and super-imposing its DC component on the horizontal deflection current using IC2501 and L2503 (HCC). Power to IC2503 is obtained from the secondary winding of T2501 (HOT) via a floating power supply.

4. Vertical output circuit

The vertical output circuit consists of IC2501 and the peripheral circuit.

The vertical output is generated from the V drive signal that is output from IC1505 pin-8 and amplified by IC2501 pin-1. The V center position adjustment is accomplished by using the V DC signal that is output from IC1506 pin-6 and is input to IC1505 pin-7. The V amplitude adjustment and V center position adjustment are controlled by IC1505.

5. High-tension output circuit

The HV drive signal that is output from IC1509, is input to the high-tension output circuit consisting of Q506, Q507, Q508 and the peripheral circuit that generates the fly-back pulse. The fly-back pulse is not only supplied to T502 (FBT) but is also supplied to the C board as the G2 voltage after it is rectified and smoothed out by D515 and C513.

The high-tension detector voltage is voltage-divided by the high-tension resistors inside the FBT, and is output from T502 pin-14. This detection voltage is voltage-divided by IC504, R1579, R1581 and R1580, and is sent to IC1509 pin-17 as the high-tension feedback voltage.

6. Focus signal output circuit

The H focus signal that is output from IC1505 pin-13, is amplified by the H focus amplifier consisting of Q501, Q502, Q503 and the peripheral circuit, and drives T501 (DFT). The H focus signal feeds the T502 pin-17 after amplification to approximately 500 V with T501.

Because the H focus signal interferes with the white balance reference signal inside CRT and gives adverse effect, the H focus signal of a constant voltage is supplied during the V blanking period instead of the H parabolic signal. Switching between a constant voltage and the H parabolic signal is done by Q1504 and C1507.

The V focus signal that is output from IC1505 pin-12, is amplified to approx. 200 V by the V focus amplifier consisting of Q1509, Q1510 and the peripheral circuit, and is supplied to T502 pin-18.

7. Protector circuit

The HV protector circuit consists of IC502, IC505 and the peripheral circuit. If the voltage at T502 pin-6 (FBT third winding) exceeds the reference voltage that is set by IC514, the HV protector circuit is activated to operate the power supply protector (+B shutdown) via D514. The operating point of the HV protector circuit is set to approx. 27 KV (14-inches) or 30 KV (20-inches) of the high-tension output voltage.

The Ik protector circuit consists of IC502, IC503 and the peripheral circuit. The ABL current is detected by R526, R507 and R528. The HV protector circuit is activated if the ABL detected voltage exceeds the reference voltage that is set by IC503. The HV protector circuit activates the power protector (+B shutdown) via D516. The operating point of the HV protector circuit is set for approx. 1500 μ A of the ABL current.

5-5. Power Supply Circuit

Power supply block of this circuit board consists of the two switching regulators as shown below.

1. Power factor improvement regulator to conform to the power supply higher harmonics regulation.
2. Main regulator that supplies the necessary voltages to the signal system circuit, deflection system/ high tension system circuits.

1. Power factor improvement block

The power factor improvement block of this power supply block uses the active filter IC module (IC601) of the current-critical type boost-chopper system in order to conform to the power supply higher harmonics regulation.

The power factor improvement block consists of IC601, L602, C608, C617 and the related parts.

IC601 is a module IC that contains the built-in control IC, switching FET, boost diode and input/output voltage detector inside the module.

Basic operation of the power factor improvement circuit is described below. When the V_{cc} power is supplied to this circuit, FET turns on to flow a current in the primary winding of L602 and in FET. This current increases with the slope of " $V_{in}(\text{rms})/L$ " where L is inductance of primary winding of L602. This FET current is monitored by the source-current detecting resistor connected between pin-4 and pin-7 of IC601. When the detection voltage reaches the target value that is set by the multiplier inside the control IC, the FET is turned off. Then a current that decreases with the slope of " $V_d(\text{rms})/L$ ", flows in the boost diode. When this current becomes zero, the FET is turned on. The current-critical operation is realized by the above described circuit operation. (where V_d : voltage across C617. V_{in} : input power voltage)

The complete single cycle of circuit operation as described above is repeated all the time. When observing the half-cycle period of the commercial power frequency, the FET is turned on and off in the way that the envelope of the choke current peak value is proportional to the sine waveform of input power voltage. As the result of the above control, waveform of the input voltage becomes similar to the waveform of input current. In the other words, the power factor is improved. At the same time, the voltage V_d across C617 becomes higher than the peak value of the input power voltage, and is maintained to approximately 380 V regardless of the input power voltage.

2. Main regulator

This circuit is the separately excited PWM type fly back converter.

The main power supply circuit consists of the PWM drive IC602, main switching FET Q606, converter transformer T602, and the rectifier diode and smoothing capacitor that are connected to the secondary winding of T602.

This circuit operates as follows : The drive pulse that is output from IC602 is buffered by Q617/Q618 and is sent to Q606 gate that is running in the switching operation. In order to control this switching operation, the secondary circuit output +135 V is controlled by the constant voltage control with IC603. The output signal from IC603 passes through the optical isolator PH601 and is returned to IC602 so that ON DUTY ratio of the drive pulse is changed until the secondary circuit output is controlled to provide the constant voltage output.

IC602 performs the constant voltage control of the +135 V power line. IC602 receives the control signal from IC603 through an isolator PH601. This control signal changes the oscillating frequency of IC602 so that the +135 V power voltage is controlled to a constant voltage.

The secondary winding of T602 generates various output voltages starting from +200V, +15V, -15V, +6V, -6V and heater voltage.

The output voltages of +15V, -15V, +6V and -6V are regulated to +12V, -12V, +5V and -5V respectively by the three-terminal regulators.

3. Over-voltage protection circuit and over-current protection circuit

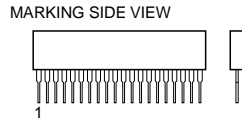
The +135 V main power line contains the over-voltage protection circuit and over-current protection circuit that protect the power supply circuit and loads from getting damaged in the case of abnormal load or failure in the voltage feedback systems.

If over-current flows in the +135 V main power line, the latch circuit consisting of Q611 and Q612 turns on. If over-voltage appears in the +135 V main power line, the power supply to IC601 and IC602 is shut down via an isolator PH602. Then the +135 V main power is stopped.

These protection circuits are reset by turning off the input power to the power supply circuit.

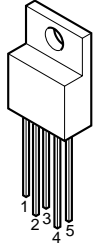
Section 6 Semiconductors

AN5278

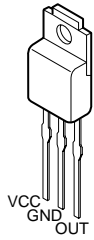


9 pin SIP

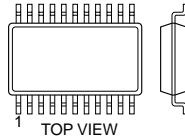
BA00AST
BA00AST-V5



BA05T
BA12T

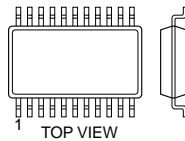


BA7046F
BA7046F-T1
CXA1211M
CXA1211M-T4
CXA1521M
CXA1521M-T4
LM358D
LM358PS
LM358PSR
LM393PS
LM393PS-E20
M24C02-WMN6T(A)
M24C04-WMN6T(A)
M24C08-WMN6T
M24C08-WMN6T(A)
MAX487CSA-TE2
MAX487ECSA-TE2
MM1111XFBE
MM1113XFBE
NJM082M
NJM2233BM
NJM2233BM(TE2)
NJM2233BM-T1
NJM4558M-T2
NJM4558M-TE2
TC4W53FU
TC4W53FU(TE12R)
TC7W32F
TC7W32F(TE12R)
TL082CPS-E20
UPC4558G2



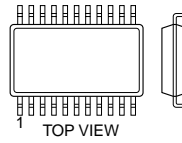
8pin SOP

BU4021BF-E2
MAX202CSE
MAX202CSE-T
MC74HC157AFEL
MC74HC4053AFEL
MC74HC4053F
MC74HC4538AF
MC74HC4538AFEL
MM1231XFBE
TC74HC4538AF
TC74HC4538AF-TP2
TC74VHC138FT(EL)
TDA4665T/V5-118
UPC1905GS-E2



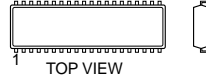
16pin SOP

CXA1544M-T6
MB88141APF-ER



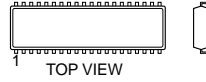
24pin SOP

CXA1739S



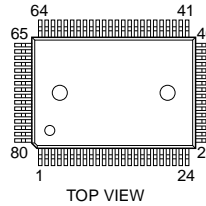
48pin DIP

CXA8071CP

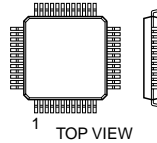


30pin DIP

CXD2024AQ

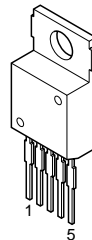


CXD2309AQ-T6
CXD2309Q

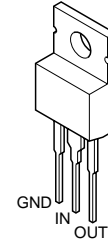


48pin QFP

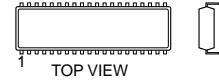
LA6500-FA



LM7905CT

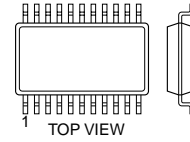


M51279FP
M51279FP-ETP



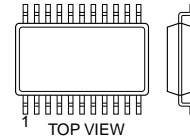
32pin DIP

M62399FP-TE2
TC74VHCT244AF(EL)



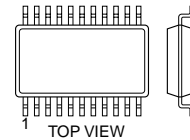
20pin SOP

MB90096PF-G-223-BND
MB90096PF-G-223-BND-ER
MB90096PF-G-227-BND
MB90096PF-G-227-BND-ER



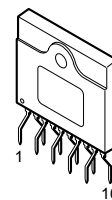
28pin SOP

MC74HC00AFEL
TC74VHC14FT(EL)
TC74VHC164FT(EL)



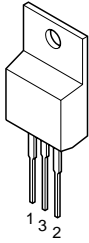
14pin SOP

MZ1530

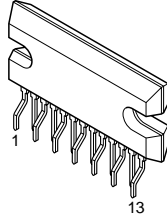


IC, Transistor

NJM7912FA



TDA6120Q/N2/S1

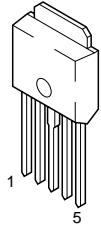


- 2PD601AR-115
- 2SA1037AK-T146-QR
- 2SA1037AK-T146-R
- 2SA1330-06
- 2SA1330-T1O7
- 2SA1462
- 2SA1462-T1Y33Y34
- 2SC1623-L5L6
- 2SC1654-T1N6
- 2SC2412K-T-146-QR
- 2SC3326N-A
- 2SC3326N-TE85L-AB
- 2SC3360-N16
- 2SC3392-5-TB
- 2SC3545
- 2SC3545-T1T43T44
- 2SD601A-Q
- 2SD601A-QRS-TX
- DTA114GKAT146
- DTA144EKA-T146
- DTC114EK
- DTC114EKA-T146
- DTC114GKAT146
- DTC124XKA-T146
- DTC144EKA
- DTC144EKA-T146

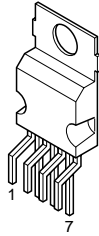
- 2SA1221-K
- 2SA1221-T-KLM
- 2SD774-34
- 2SD774-T-3



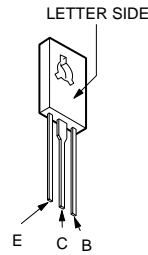
PQ3TZ53U



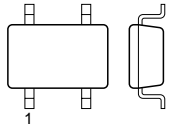
TDA8172



- 2SB1151
- 2SB1151-L
- 2SC2688-LK
- 2SD1683-T

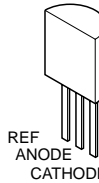


S-80842ANNP-ED6-T2

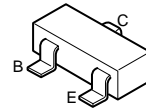


4pin CHIP

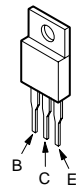
**UPC1093J
UPC1093J-T**



REF
ANODE
CATHODE

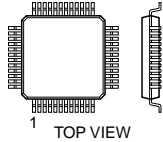


- 2SC3746
- 2SC4686A(LBSONY)
- 2SD2394-F



- SC7S02F
- TC4S30F
- TC4S30F(TE85R)
- TC4S71F
- TC4S71F(TE85R)
- TC7S02F(TE85R)
- TC7S08F
- TC7S08F(TE85R)
- TC7S32FU(TE85R)
- TC7S32FU-TE85R
- TC7SH08F-TE85R

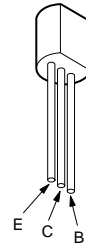
UPD70F3017AYGC-M08-AEU



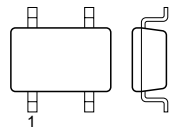
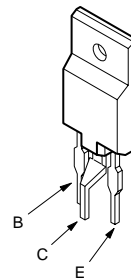
1 TOP VIEW

100pin QFP

- 2SA1015-GR
- 2SA1015TP-YGR
- 2SA1091-0
- 2SA10910-TPE2
- 2SC1815YGR-TPE2
- 2SC2362K-G
- 2SC2362KG-AA

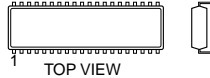


2SC5778-CA



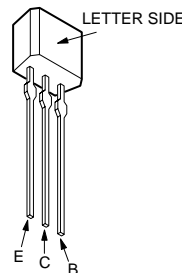
5pin CHIP

Z8622812PSC

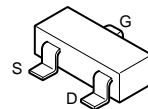


18pin DIP

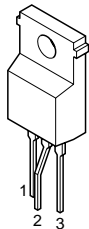
- 2SA1175-HFE
- 2SA1309A-QRSTA
- 2SC2785-HFE
- 2SC3311A-QRSTA



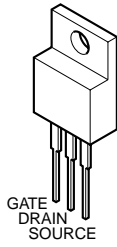
- 2SK160-K5
- 2SK160-T1K4K5K6
- 2SK520K44K45-T1B



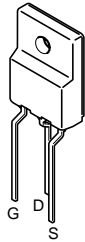
**SE-135N
SE135N (HYBRID)**



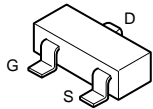
2SK2350



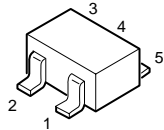
2SK2655-01R-F165



2SK2731T146

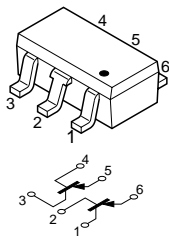


FS10SM-18A
FS10SM-18A-A8

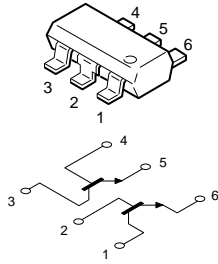


- (1) DT1 OUT
- DT2 IN
- (2) DT2 OUT
- (3) DT2 GND
- (4) DT1 IN
- (5) DT1 GND

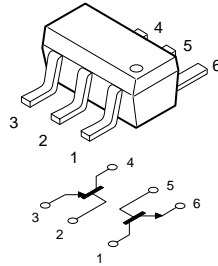
IMT2
IMT2-T109
IMT2AT108



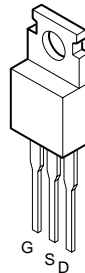
IMX2
IMX2-T109



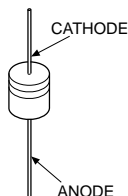
IMZ4T108



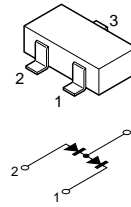
IRFI9630GS



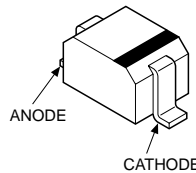
1SS119-25
1SS119-25TD
HZS9.1NB2
RD12ES-T1B2
RD12ESB2
RD18ES-B1
RD18ES-T1B1
RD20ES-B2
RD20ES-T1B2
RD27ES-B2
RD5.1SB1-T1
RD5.6ES-B2
RD5.6ES-T1B2
RD6.8ES-B3
RD6.8ES-T1B3
RD9.1ES-T1B2



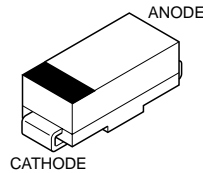
1SS226
1SS226-TE85L



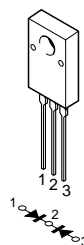
1SS352
1SS352-TPH3
DTZ13B
DTZ2.4B-TT11 (5MA)
MA111-(K8).S0
MA111-TX
RD10SB1-T1
RD12SB1-T1
RD12SB2
RD12SB2-T1
RD15SB1
RD15SB1-T1
RD30SB-T1
RD4.7SB2
RD4.7SB2-T1
RD5.1SB2-T1
RD5.1SB2-T2
RD5.6SB2-T1
RD6.2SB
RD6.2SB-T1
UDZ-TE-17-13B



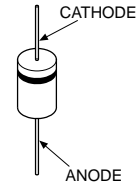
1SV230TPH3
1SV232-TPH3
SC802-06
SC802-06-TE12R



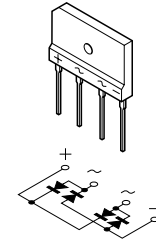
D10SC9M



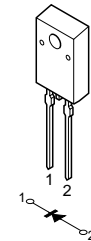
D2L20U
D2L20U-TA
EL1Z
ERA91-02TP1
GP08D
GP08DPKG23
HSS83TD
RGP02-17EL-6433
RGP10GPKG23
RGP15K-6179
RGP15K-6179G23
RH1A



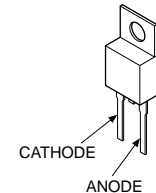
D4SB60L



D5L60

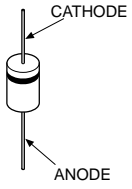


DD54SCLS-YCC-11
FMG-G2CS

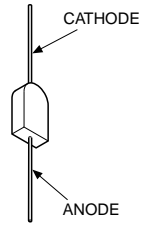


Diode

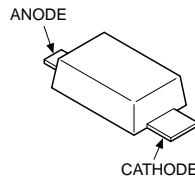
EGP10D
EGP10DPKG23
ERA91-02
RH-1AV1



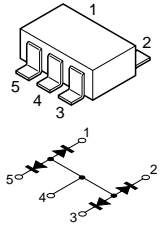
RM11A
RM11C



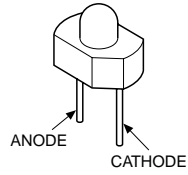
UDZSTE-173.6B



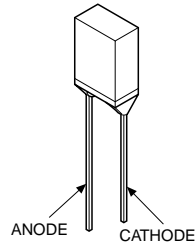
FMN-G12S



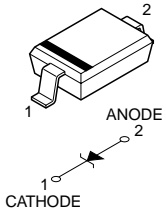
SEL5421E-TH15
SEL5421E-TP15



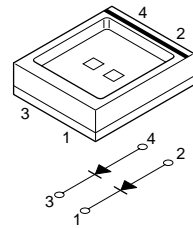
SEL5920A-TP15
SEL5920S



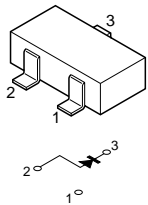
RD10SB1
RD12SB-T1



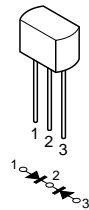
SML-020MLTT87



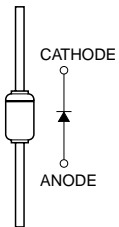
RD22M-B
RD22M-T1B3



SML79420C-TP15
SML79420C-TP4



RD27ES-T1B2



Section 7

Spare Parts

7-1. Notes on Repair Parts

1. Safety Related Components Warning

WARNING

Components marked \triangle are critical to safe operation. Therefore, specified parts should be used in the case of replacement.

WARNHINWEIS

Les composants identifiés par la marque \triangle sont critiques pour la sécurité. Ne les remplacer que par une pièce portant le numéro spécifié.

2. Standardization of Parts

Some repair parts supplied by Sony differ from those used for the unit. These are because of parts commonality and improvement. Parts List has the present standardized repair parts.

3. Stock of Parts

Parts marked with “o” at SP (Supply Code) column of the Spare Parts list may not be stocked. Therefore, the delivery date will be delayed. Items with no part number and no description are not stocked because they are seldom required for routine service.

4. Units for Capacitors, Inductors and Resistors

The following units are assumed in Schematic Diagrams, Electrical Parts List and Exploded Views unless otherwise specified.

Capacitors : μF
Inductors : μH
Resistors : Ω

Notes on replacing board

On the B, T and Q boards

When any of either the B board 1-682-390-14 or the T board 1-682-396-12 or the Q board 1-682-395-13 is going to be replaced, replace these three boards at the same time.

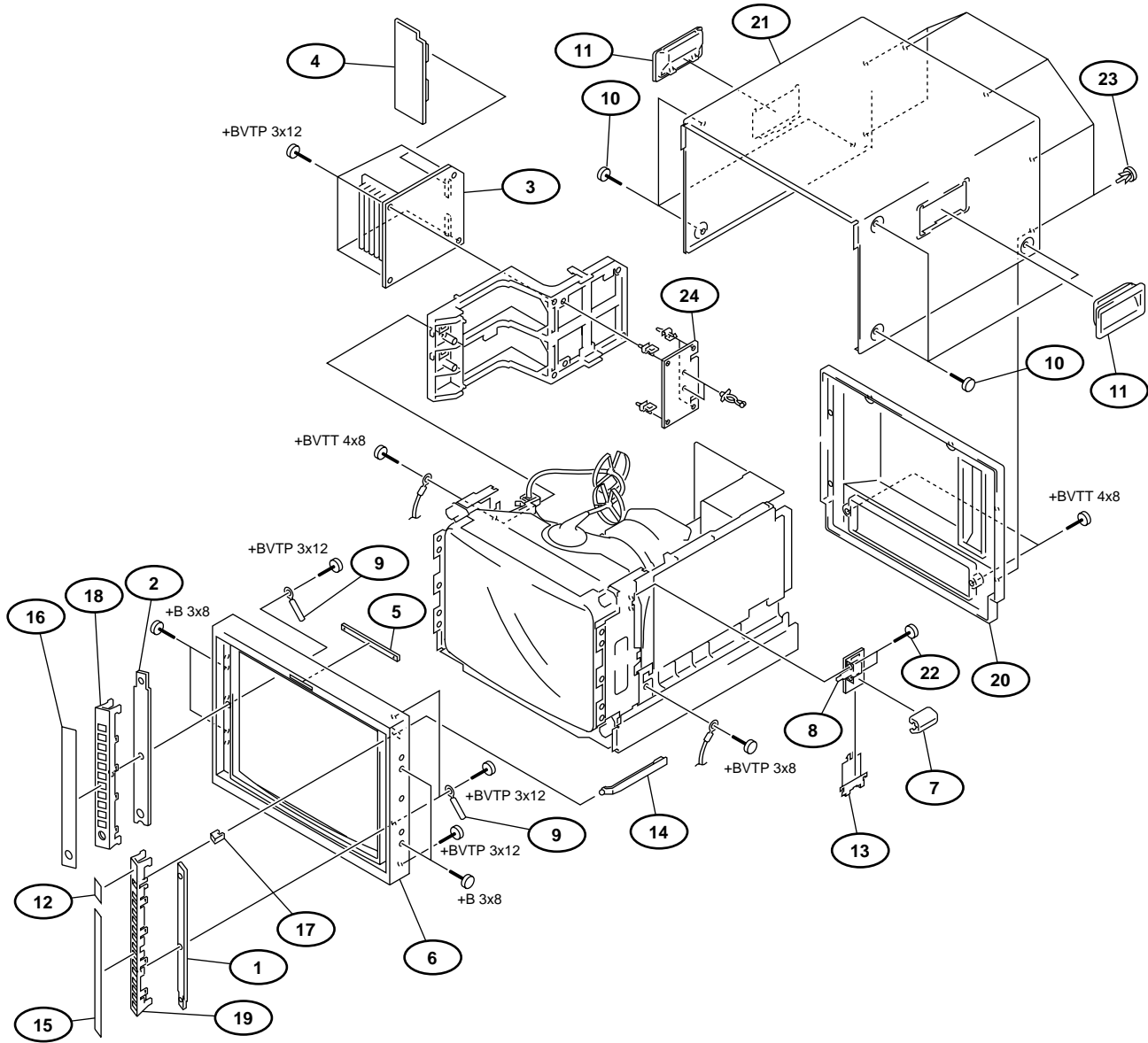
Reason : Because there are changes of EXT SYNC between the B and the T board, and because there are changes of 3.3 V power line between the T and the Q board, the machine will not work if any of these is left in the former board.

On the D1 and the G board

In the new board, the connectors CN1504 (D1 board) and CN502 (G board) are changed from 5 pins to 6 pins, the mating connectors must be inserted by aligning to pin-1.

Top Cover Section (14 Inch)

7-2. Exploded Views

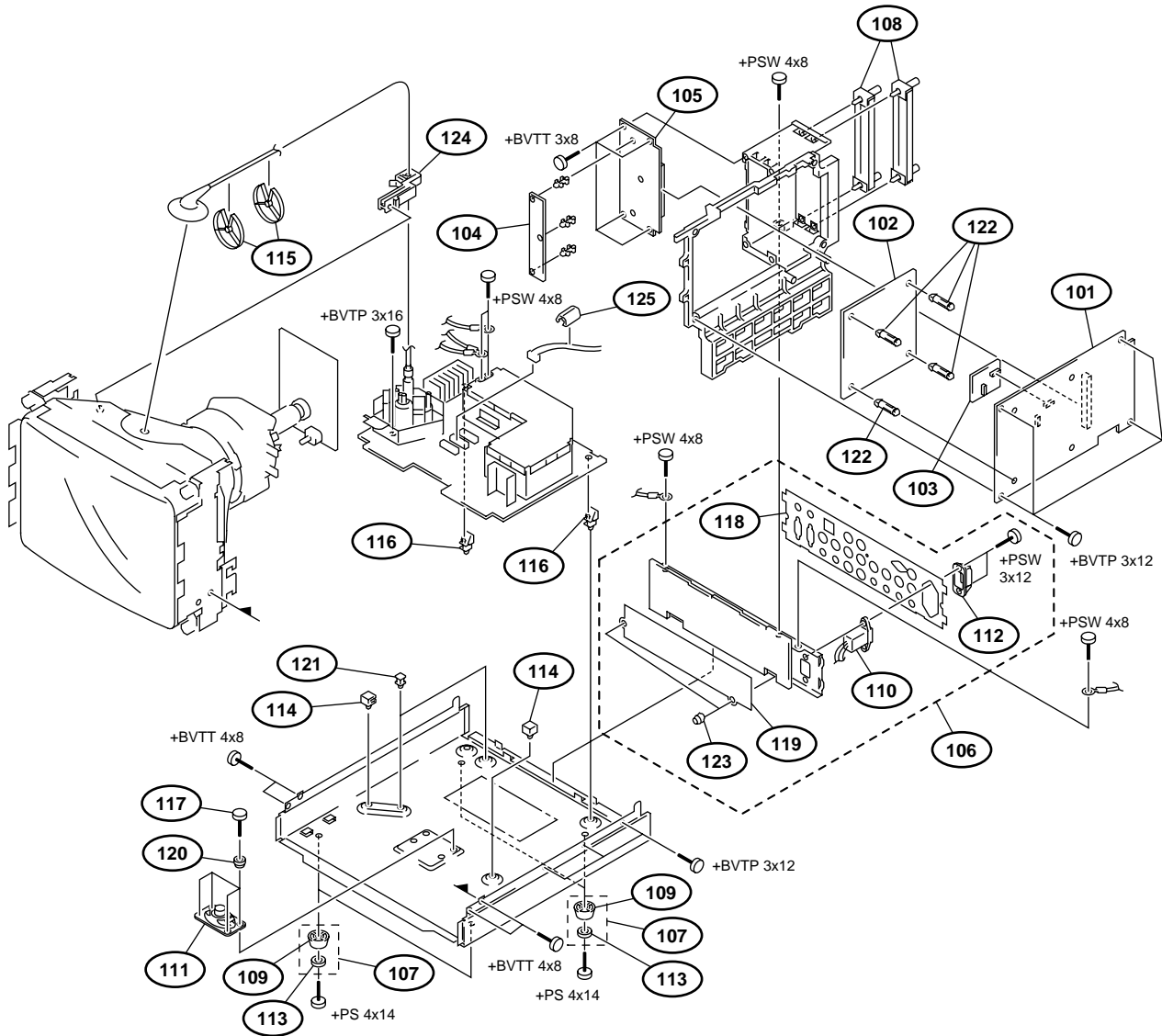


No.	Part No.	SP Description
1	8-330-030-00	s MOUNTED CIRCUIT BOARD, H1
2	8-330-030-01	s MOUNTED CIRCUIT BOARD, H2
3	8-330-030-06	s MOUNTED CIRCUIT BOARD, D
4	8-330-030-07	s MOUNTED CIRCUIT BOARD, D1
5	8-330-030-11	s MOUNTED CIRCUIT BOARD, X
6	X-4040-003-1	s BEZEL ASSY
7	1-543-653-11	s CORE ASSY, BEAD (DIVISION TYPE)
8	△ 1-786-226-11	s SWITCH, AC POWER PUSH
9	3-701-822-00	s HOLDER, WIRE
10	3-703-354-41	s SCREW (OS), CASE, CLAW
11	4-043-825-01	s HANDLE
12	4-086-470-01	o LABEL (R/U), CONTROL
13	4-086-471-01	o INSULATOR (J PWB)
14	4-086-476-02	o SWITCH, SHAFT
15	4-086-479-02	o LABEL (R), CONTROL

No.	Part No.	SP Description
16	4-086-480-02	o LABEL (L), CONTROL
17	4-086-484-01	s BUTTON, POWER
18	4-086-492-03	o BUTTON (L), MULTI
19	4-086-493-02	o BUTTON (R), MULTI
20	4-086-494-02	o COVER, REAR (PVM-D14L5)
20	4-086-494-11	o COVER, REAR (PVM-D14L5A)
21	4-086-495-11	s COVER, TOP
22	4-382-854-01	s SCREW +PSW M3X8 (EP-FE/ZN/CM2)
23	4-391-825-01	s RIVET, NYLON
24	8-330-030-13	s MOUNTED CIRCUIT BOARD, D2

Screws/Washers

7-682-548-09	s SCREW +B 3X8
7-685-646-79	s SCREW +BVTP 3X8
7-685-648-79	s SCREW +BVTP 3X12 (EP-FE/ZNBK/CM2)
7-685-881-09	s SCREW +BVTT 4X8 (EP-FE/ZNBK/CM)



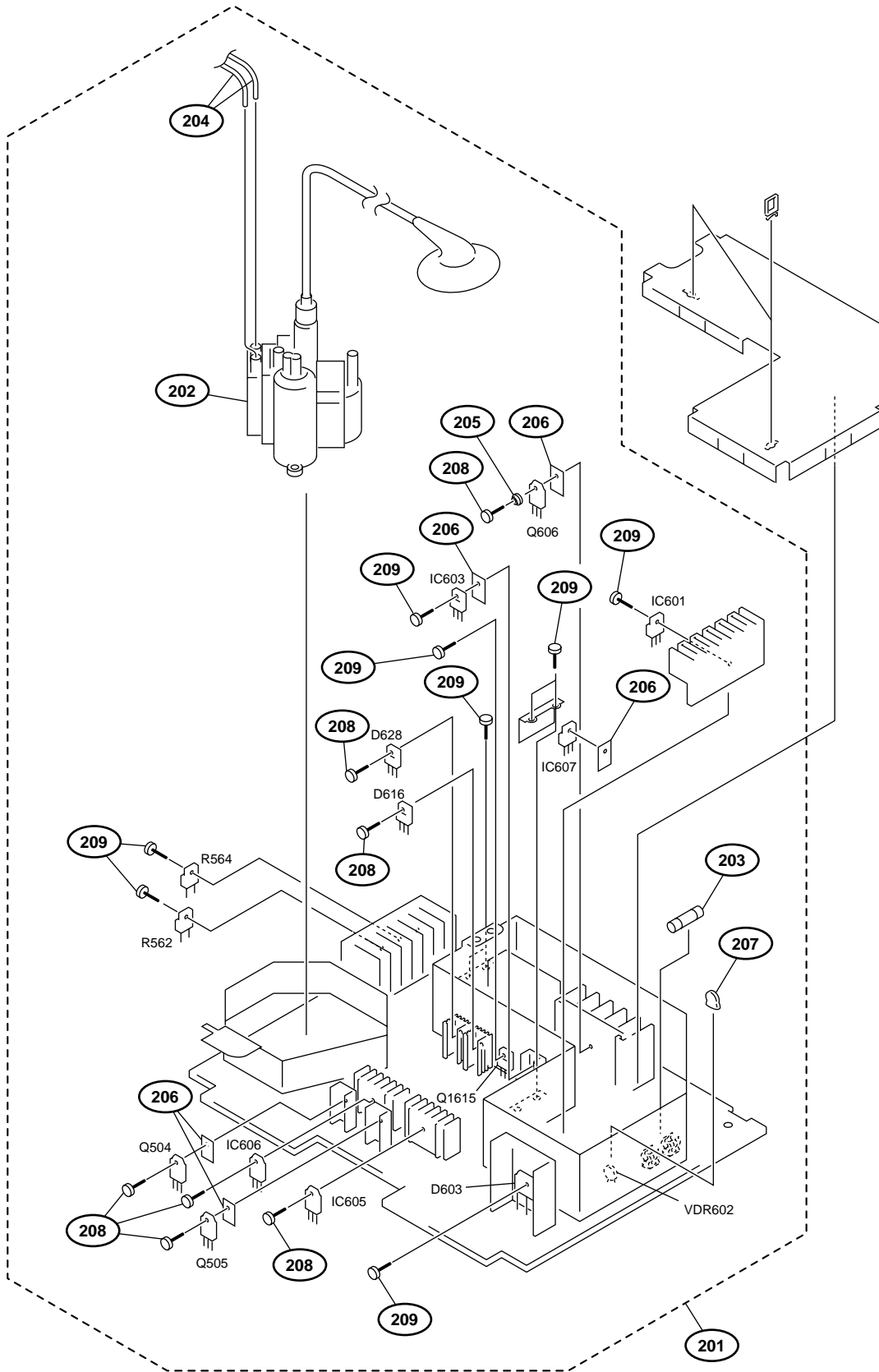
No.	Part No.	SP Description
101	8-330-030-02	s MOUNTED CIRCUIT BOARD, B
102	8-330-030-03	s MOUNTED CIRCUIT BOARD, B1
103	8-330-030-04	s MOUNTED CIRCUIT BOARD, M
104	8-330-030-05	s MOUNTED CIRCUIT BOARD, K
105	8-330-030-10	s MOUNTED CIRCUIT BOARD, T
106	8-330-030-12	s Q BLOCK ASSY
107	X-4033-117-1	s FOOT ASSY (PP)
108	X-4037-166-1	o PANEL ASSY, BLANK
109	X-4836-202-9	s FOOT ASSY,MF (A)
110	▲ 1-251-382-11	s INLET,AC 3P(WITH NOISE FILTER)
111	1-544-063-12	s SPEAKER (7X5CM)
112	2-990-241-02	s HOLDER (A), PLUG
113	3-668-845-01	o CUSHION, LEG
114	3-701-903-11	o HOLDER,PCB
115	3-704-372-01	s HOLDER,HV CABLE

No.	Part No.	SP Description
116	4-070-730-01	s HOLDER, PWB
117	4-086-472-01	s SCREW (M3X4), STEP
118	4-086-488-01	o LABEL, CONNECTOR
119	4-087-439-01	o SHIELD, Q
120	4-379-189-01	o CUSHION,SPEAKER
121	4-382-848-01	o HOLDER, PCB
122	4-385-948-01	o HOLDER,PCB
123	4-812-134-11	s RIVET (DIA. 3.5), NYLON
124	4-387-284-01	o HOLDER, LEAD
125	1-543-653-11	s CORE ASSY, BEAD

Screws/Washers

7-682-664-09	s SCREW +PS 4X14 (EP-FE/ZNBK/CM2)
7-682-950-09	s SCREW +PSW 3X12 (EP-FE/ZNBK/CM2)
7-682-961-01	s SCREW +PSW 4X8
7-685-648-79	s SCREW +BVTP 3X12 (EP-FE/ZNBK/CM2)
7-685-650-79	s SCREW +BVTP 3X16 (EP-FE/ZNBK/CM2)
7-685-872-09	s SCREW +BVTT 3X8 (EP-FE/ZNBK/CM)
7-685-881-09	s SCREW +BVTT 4X8 (EP-FE/ZNBK/CM)

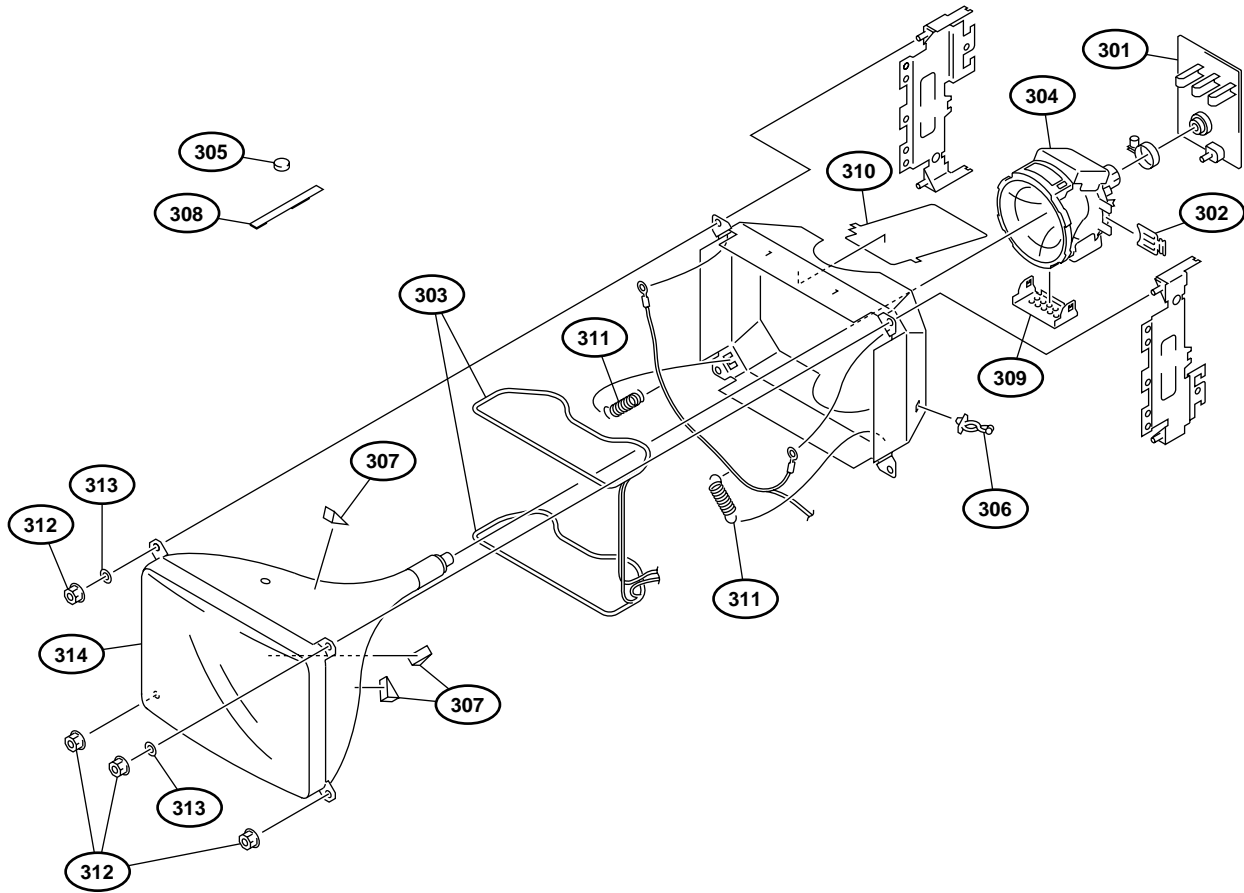
G Board Section (14 Inch)



No.	Part No.	SP Description
201	8-330-030-08	s MOUNTED CIRCUIT BOARD, G
202	△ 1-453-391-11	s FBT ASSY (NX-4141//M3E4)
203	△ 1-576-231-11	s FUSE (H.B.C.) (4A/250V)
204	1-900-266-65	s LEAD ASSY FOCUS
205	2-371-561-00	s BUSHING(P), INSULATING

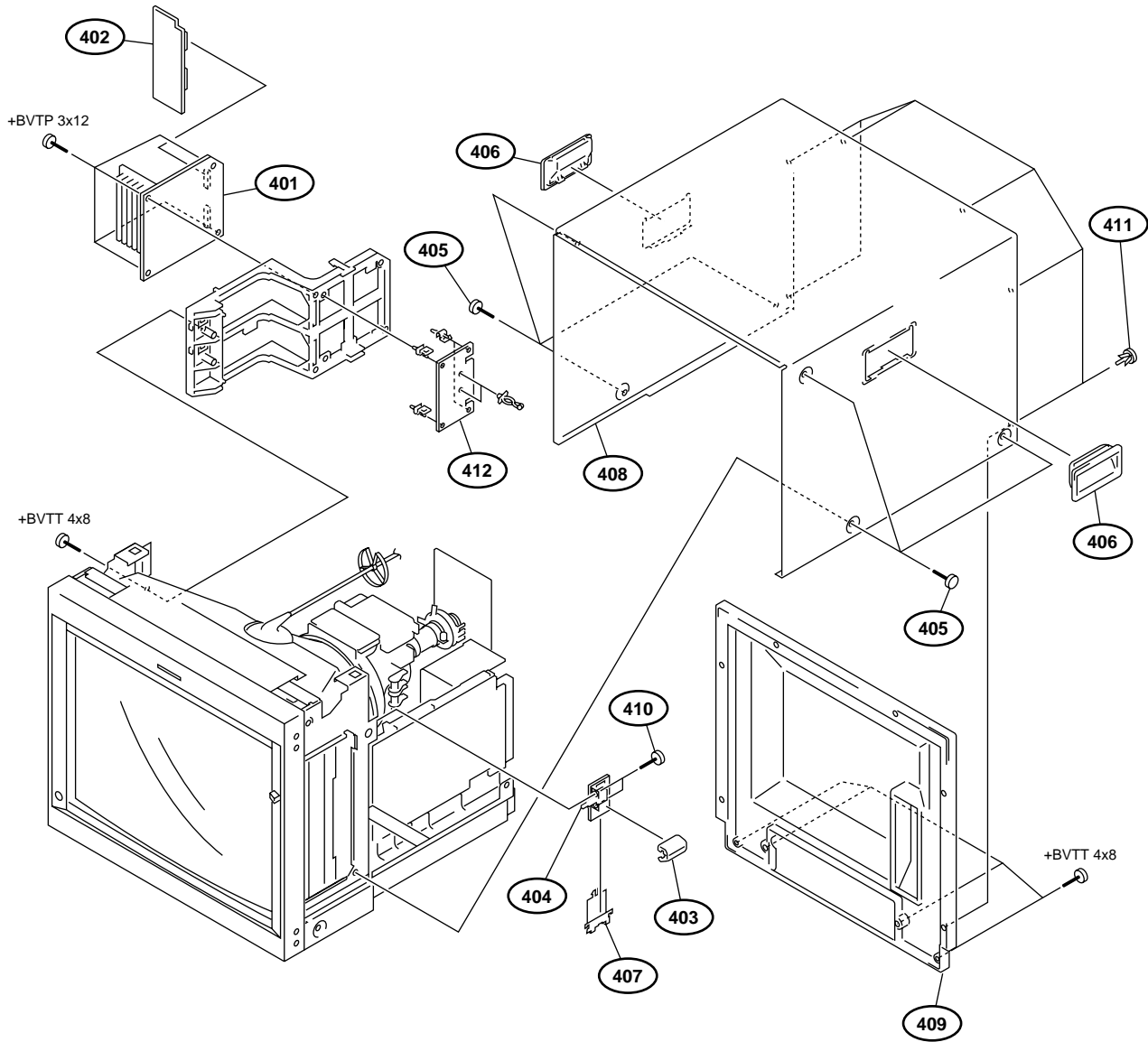
No.	Part No.	SP Description
206	4-061-191-01	s SHEET, INSULATE
207	4-374-846-21	o COVER,CAPACITOR,CAP TYPE
208	4-382-854-01	s SCREW +PSW M3X8(EP-FE/ZN/CM2)
209	4-382-854-11	s SCREW +PSW M3X10(EP-FE/ZNBK/CM)

Picture Tube Section (14 Inch)



No.	Part No.	SP Description
301	8-330-030-09	s MOUNTED CIRCUIT BOARD, C
302	X-2105-533-1	s PLATE ASSY,CORRECTION,TLH
303	△ 1-411-660-21	s COIL, DEMAGNETIC
304	△ 1-451-508-11	s DEFLECTION YOKE
305	1-452-032-00	s MAGNET,DISC
306	4-035-160-01	s PURSE LOCK (S) (DIA. 12)
307	4-050-492-01	s SPACER, DY (CM)
308	4-051-735-42	s PIECE A(75), CONV, CORRECT
309	4-053-410-02	s SHIELD, DY
310	4-086-474-01	s INSULATOR (ANODE)
311	4-303-774-99	s SPRING
312	4-306-034-00	s FLANGE NUT(B) (5MM) (STEEL)
313	4-348-567-00	s WASHER (STEEL)
314	△ 8-738-359-05	s PICTURE TUBE (PVM-14L5)
314	△ 8-738-357-05	s PICTURE TUBE (PVM-D14L5A)

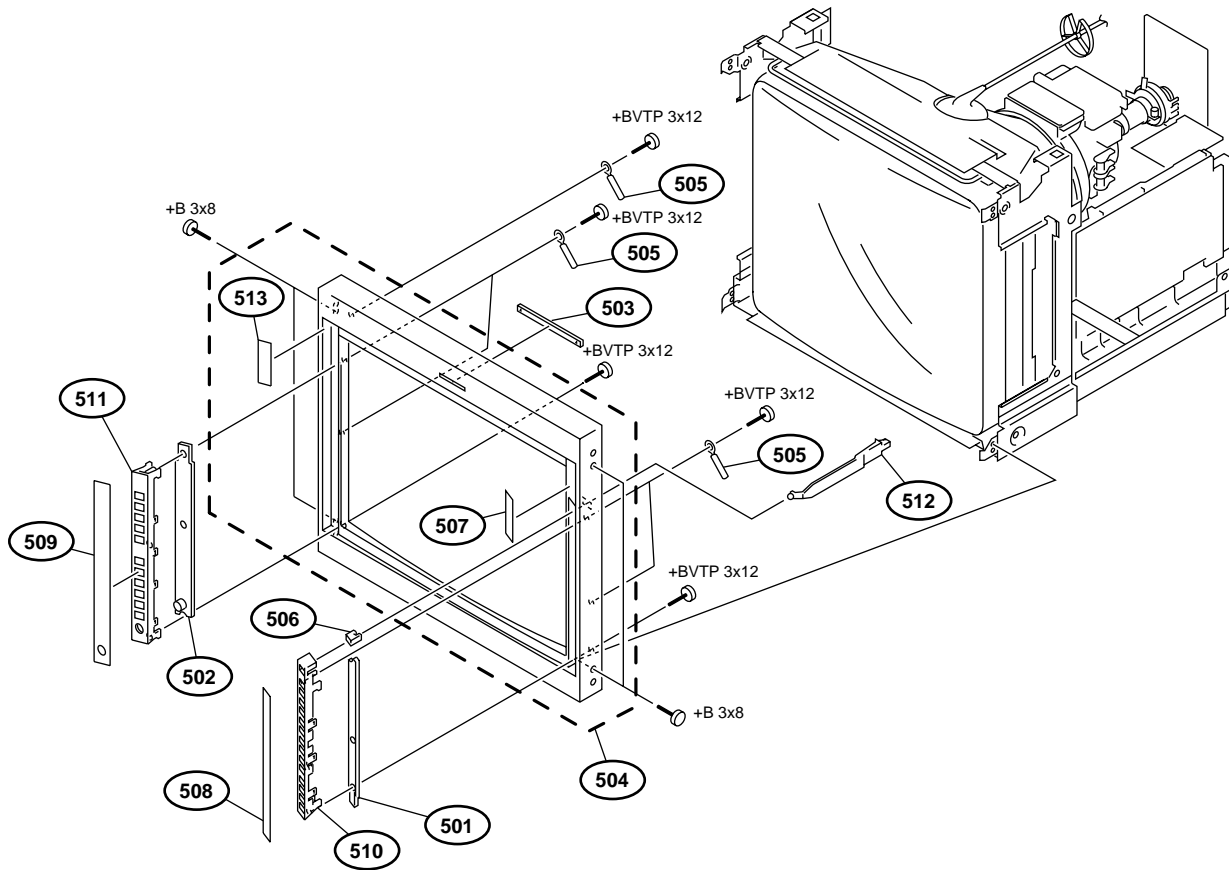
Top Cover Section (20 Inch)



No.	Part No.	SP	Description
401	8-330-030-26	s	MOUNTED CIRCUIT BOARD, D
402	8-330-030-42	s	MOUNTED CIRCUIT BOARD, D1
403	1-543-653-11	s	CORE ASSY, BEAD
404	△ 1-786-226-11	s	SWITCH, AC POWER PUSH
405	3-703-354-41	s	SCREW (OS), CASE, CLAW
406	4-043-825-01	s	HANDLE
407	4-086-471-01	o	INSULATOR (J PWB)
408	4-086-506-11	s	COVER, TOP
409	4-086-513-03	o	COVER, REAR (PVM-20L5)
409	4-086-513-12	o	COVER, REAR (PVM-20L5A)
410	4-382-854-01	s	SCREW +PSW M3X8 (EP-FE/ZN/CM2)
411	4-391-825-01	s	RIVET, NYLON
412	8-330-030-13	s	MOUNTED CIRCUIT BOARD, D2

Screws/Washers

7-685-648-79	s	SCREW +BVTP3X12 (EP-FE/ZNBK/CM2)
7-685-881-09	s	SCREW +BVTT 4X8 (EP-FE/ZNBK/CM)

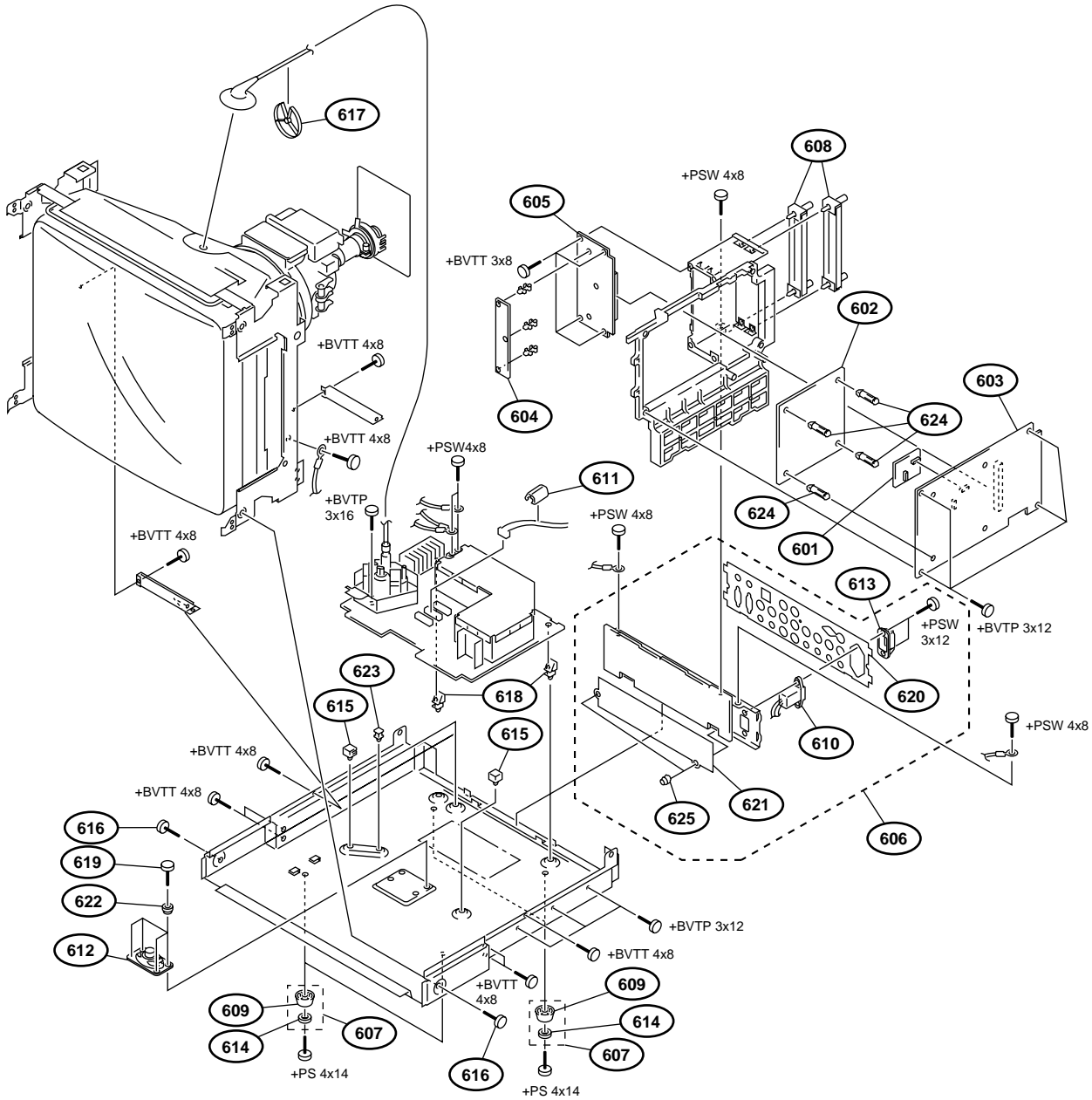


No.	Part No.	SP Description
501	8-330-030-22	s MOUNTED CIRCUIT BOARD, HA
502	8-330-030-23	s MOUNTED CIRCUIT BOARD, HB
503	8-330-030-11	s MOUNTED CIRCUIT BOARD, X
504	X-4040-006-1	s BEZEL ASSY
505	3-701-822-00	s HOLDER, WIRE
506	4-086-484-01	s BUTTON, POWER
507	4-086-502-01	o LABEL (R/U), CONTROL
508	4-086-505-01	o LABEL (R), CONTROL
509	4-086-507-02	o LABEL (L), CONTROL
510	4-086-508-02	o BUTTON (R), MULTI
511	4-086-509-02	o BUTTON (L), MULTI
512	4-086-511-03	o SWITCH, SHAFT
513	4-086-740-01	o LABEL (L/U), CONTROL

Screws/Washers

7-682-548-09	s	SCREW +B 3X8
7-685-648-79	s	SCREW +BVTP 3X12(EP-FE/ZNBK/CM2)

Chassis Section (20 Inch)

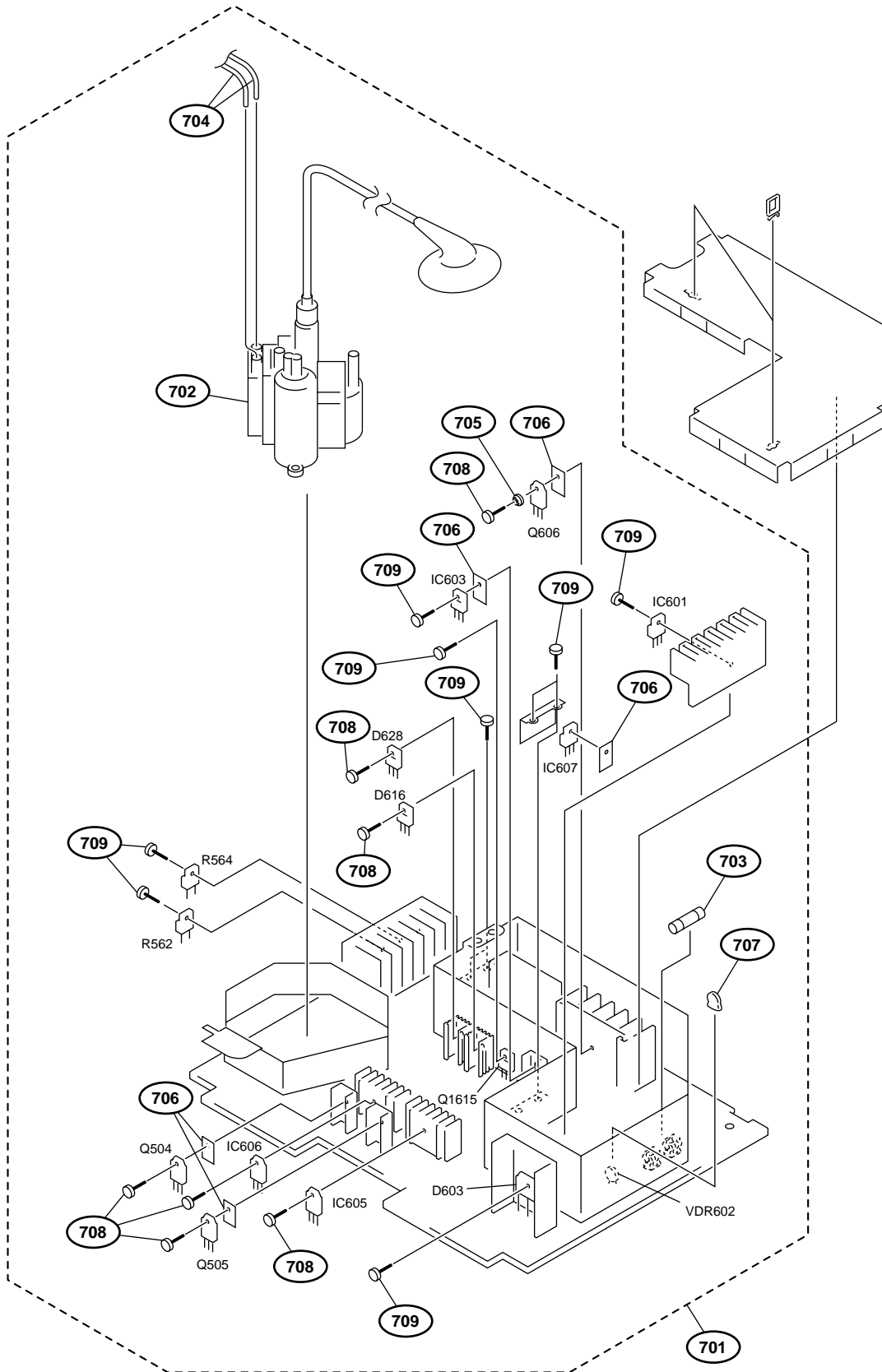


No.	Part No.	SP Description
601	8-330-030-04	s MOUNTED CIRCUIT BOARD, M
602	8-330-030-03	s MOUNTED CIRCUIT BOARD, B1
603	8-330-030-24	s MOUNTED CIRCUIT BOARD, B
604	8-330-030-25	s MOUNTED CIRCUIT BOARD, K
605	8-330-030-10	s MOUNTED CIRCUIT BOARD, T
606	8-330-030-12	s Q BLOCK ASSY
607	X-4033-117-1	s FOOT ASSY (PP)
608	X-4037-166-1	o PANEL ASSY, BLANK
609	X-4836-202-9	s FOOT ASSY, MF (A)
610	△ 1-251-382-11	s INLET, AC 3P (WITH NOISE FILTER)

No.	Part No.	SP Description
616	3-703-354-41	s SCREW (OS), CASE, CLAW
617	3-704-372-01	s HOLDER, HV CABLE
618	4-070-730-01	s HOLDER, PWB
619	4-086-472-01	s SCREW (M3X4), STEP
620	4-086-488-01	o LABEL, CONNECTOR
621	4-087-439-01	o SHIELD, Q
622	4-379-189-01	o CUSHION, SPEAKER
623	4-382-848-01	o HOLDER, PCB
624	4-385-948-01	o HOLDER, PCB
625	4-812-134-11	s RIVET

Screws/Washers

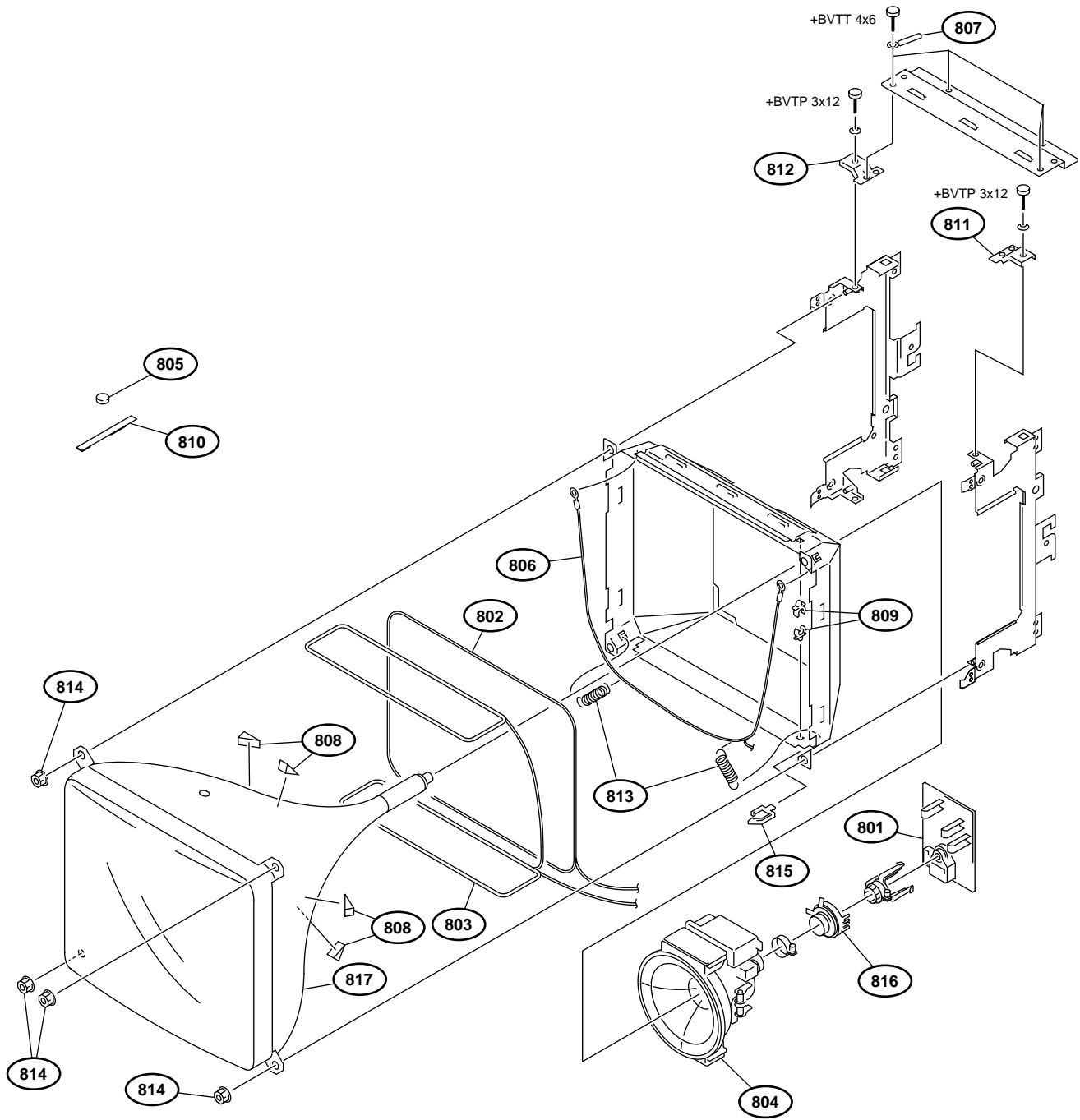
7-682-664-09	s SCREW +PS 4X14 (EP-FE/ZNBK/CM2)
7-682-950-09	s SCREW +PSW 3X12 (EP-FE/ZNBK/CM2)
7-682-961-01	s SCREW +PSW 4X8
7-685-648-79	s SCREW +BVTP 3X12 (EP-FE/ZNBK/CM2)
7-685-650-79	s SCREW +BVTP 3X16 (EP-FE/ZNBK/CM2)
7-685-872-09	s SCREW +BVTT 3X8 (EP-FE/ZNBK/CM)
7-685-881-09	s SCREW +BVTT 4X8 (EP-FE/ZNBK/CM)



No.	Part No.	SP Description
701	8-330-030-43	s MOUNTED CIRCUIT BOARD, G
702	△ X-4560-177-1	s FBT ASSY (NX-4141/J1A4) (PVM-20L5)
702	△ 1-453-436-11	s FBT ASSY (NX-4141/M3D4) (PVM-D20L5A)
703	△ 1-576-231-11	s FUSE (H.B.C.) (4A/250V)
704	1-900-266-65	s LEAD ASSY FOCUS

No.	Part No.	SP Description
705	2-371-561-00	s BUSHING(P), INSULATING
706	4-061-191-01	s SHEET, INSULATE
707	4-374-846-21	o COVER, CAPACITOR, CAP TYPE
708	4-382-854-01	s SCREW +PSW M3X8 (EP-FE/ZN/CM2)
709	4-382-854-11	s SCREW +PSW M3X10 (EP-FE/ZNBK/CM)

Picture Tube Section (20 Inch)



No.	Part No.	SP Description
801	8-330-030-44	s MOUNTED CIRCUIT BOARD, C
802	△ 1-411-657-11	s COIL, LANDING CORRECTION
803	△ 1-411-659-21	s COIL, DEMAGNETIC
804	△ 1-451-553-11	s DEFLECTION YOKE
805	1-452-032-00	s MAGNET, DISC
806	1-900-228-74	s EARTH ASSY, COATING
807	3-701-822-01	s HOLDER, WIRE
808	3-703-961-01	s SPACER, DY
809	4-041-021-02	s HOLDER, DEGAUSE COIL
810	4-051-735-42	s PIECE A(75), CONV, CORRECT

No.	Part No.	SP Description
811	4-087-016-02	s BRACKET (R), TOP
812	4-087-017-02	s BRACKET (L), TOP
813	4-303-774-99	s SPRING
814	4-306-034-00	s FLANGE NUT(B) (5MM) (STEEL)
815	4-316-015-02	o HOLDER, WIRE
816	8-453-017-21	s NA3015-M2
817	△ 8-737-266-05	s PICTURE TUBE (PVM-20L5)
817	△ 8-737-260-05	s PICTURE TUBE (PVM-D20L5A)

Screws/Washers

7-685-648-79	s SCREW +BVTP 3X12(EP-FE/ZNBK/CM2)
7-685-880-09	s SCREW +BVTT 4X6(EP-FE/ZNBK/CM)

7-3. Electrical Parts List

B BOARD

Ref. No. or Q'ty	Part No.	SP	Description
1pc	A-1300-101-B	s	MOUNTED CIRCUIT BOARD, B (FOR PVM-14L5/D14L5A)
1pc	8-330-030-24	s	MOUNTED CIRCUIT BOARD, B (FOR PVM-20L5/D20L5A)
C1	1-163-021-91	s	CAPACITOR, CERAMIC 0.01MF/50V
C2	1-163-021-91	s	CAPACITOR, CERAMIC 0.01MF/50V
C3	1-163-021-91	s	CAPACITOR, CERAMIC 0.01MF/50V
C4	1-163-021-91	s	CAPACITOR, CERAMIC 0.01MF/50V
C5	1-163-021-91	s	CAPACITOR, CERAMIC 0.01MF/50V
C6	1-163-021-91	s	CAPACITOR, CERAMIC 0.01MF/50V
C7	1-163-021-91	s	CAPACITOR, CERAMIC 0.01MF/50V
C51	1-163-021-91	s	CAPACITOR, CERAMIC 0.01MF/50V
C52	1-164-004-11	s	CAPACITOR, CERAMIC 0.1MF/25V
C53	1-163-259-91	s	CAPACITOR, CHIP CERAMIC 220PF
C54	1-163-038-00	s	CAPACITOR, CERAMIC 0.1MF/25V
C55	1-164-004-11	s	CAPACITOR, CERAMIC 0.1MF/25V
C56	1-164-182-11	s	CAPACITOR, CERAMIC 3300PF/100V
C57	1-164-344-11	s	CAPACITOR CERAMIC 68000PF (M-)
C58	1-104-665-11	s	CAPACITOR, ELECT 100MF/25V
C59	1-163-021-91	s	CAPACITOR, CERAMIC 0.01MF/50V
C60	1-163-021-91	s	CAPACITOR, CERAMIC 0.01MF/50V
C61	1-163-021-91	s	CAPACITOR, CERAMIC 0.01MF/50V
C62	1-163-021-91	s	CAPACITOR, CERAMIC 0.01MF/50V
C63	1-163-021-91	s	CAPACITOR, CERAMIC 0.01MF/50V
C64	1-163-021-91	s	CAPACITOR, CERAMIC 0.01MF/50V
C65	1-163-021-91	s	CAPACITOR, CERAMIC 0.01MF/50V
C66	1-163-021-91	s	CAPACITOR, CERAMIC 0.01MF/50V
C67	1-163-021-91	s	CAPACITOR, CERAMIC 0.01MF/50V
C68	1-163-021-91	s	CAPACITOR, CERAMIC 0.01MF/50V
C101	1-163-021-91	s	CAPACITOR, CERAMIC 0.01MF/50V
C102	1-163-021-91	s	CAPACITOR, CERAMIC 0.01MF/50V
C103	1-126-964-11	s	CAPACITOR, ELECT 10MF/50V
C104	1-126-964-11	s	CAPACITOR, ELECT 10MF/50V
C105	1-163-009-11	s	CAPACITOR, CERAMIC 1000PF/50V
C106	1-163-009-11	s	CAPACITOR, CERAMIC 1000PF/50V
C107	1-163-009-11	s	CAPACITOR, CERAMIC 1000PF/50V
C108	1-163-009-11	s	CAPACITOR, CERAMIC 1000PF/50V
C109	1-163-009-11	s	CAPACITOR, CERAMIC 1000PF/50V
C110	1-163-009-11	s	CAPACITOR, CERAMIC 1000PF/50V
C111	1-164-004-11	s	CAPACITOR, CERAMIC 0.1MF/25V
C112	1-164-004-11	s	CAPACITOR, CERAMIC 0.1MF/25V
C113	1-164-004-11	s	CAPACITOR, CERAMIC 0.1MF/25V
C114	1-164-004-11	s	CAPACITOR, CERAMIC 0.1MF/25V
C115	1-164-004-11	s	CAPACITOR, CERAMIC 0.1MF/25V
C116	1-126-964-11	s	CAPACITOR, ELECT 10MF/50V
C117	1-126-964-11	s	CAPACITOR, ELECT 10MF/50V
C118	1-163-021-91	s	CAPACITOR, CERAMIC 0.01MF/50V
C119	1-163-021-91	s	CAPACITOR, CERAMIC 0.01MF/50V
C120	1-126-964-11	s	CAPACITOR, ELECT 10MF/50V
C121	1-163-021-91	s	CAPACITOR, CERAMIC 0.01MF/50V
C122	1-126-964-11	s	CAPACITOR, ELECT 10MF/50V
C123	1-163-021-91	s	CAPACITOR, CERAMIC 0.01MF/50V
C124	1-126-964-11	s	CAPACITOR, ELECT 10MF/50V
C125	1-163-021-91	s	CAPACITOR, CERAMIC 0.01MF/50V
C126	1-126-964-11	s	CAPACITOR, ELECT 10MF/50V
C127	1-163-021-91	s	CAPACITOR, CERAMIC 0.01MF/50V
C128	1-126-964-11	s	CAPACITOR, ELECT 10MF/50V
C129	1-163-037-11	s	CAPACITOR, CHIP CERAMIC 0.022MF
C130	1-164-346-11	s	CAPACITOR CHIP CERAMIC 1MF/16V

(B BOARD)

Ref. No. or Q'ty	Part No.	SP	Description
C131	1-163-021-91	s	CAPACITOR, CERAMIC 0.01MF/50V
C132	1-126-964-11	s	CAPACITOR, ELECT 10MF/50V
C133	1-164-004-11	s	CAPACITOR, CERAMIC 0.1MF/25V
C134	1-126-935-11	s	CAPACITOR, ELECT 470MF/16V
C135	1-163-021-91	s	CAPACITOR, CERAMIC 0.01MF/50V
C136	1-164-004-11	s	CAPACITOR, CERAMIC 0.1MF/25V
C137	1-126-947-11	s	CAPACITOR, ELECT 47MF/35V
C138	1-163-021-91	s	CAPACITOR, CERAMIC 0.01MF/50V
C139	1-126-964-11	s	CAPACITOR, ELECT 10MF/50V
C140	1-163-251-11	s	CAPACITOR CERAMIC 100PF/50V
C141	1-163-251-11	s	CAPACITOR CERAMIC 100PF/50V
C142	1-163-251-11	s	CAPACITOR CERAMIC 100PF/50V
C143	1-163-251-11	s	CAPACITOR CERAMIC 100PF/50V
C144	1-163-037-11	s	CAPACITOR, CHIP CERAMIC 0.022MF
C145	1-164-346-11	s	CAPACITOR CHIP CERAMIC 1MF/16V
C146	1-164-004-11	s	CAPACITOR, CERAMIC 0.1MF/25V
C147	1-163-021-91	s	CAPACITOR, CERAMIC 0.01MF/50V
C148	1-126-964-11	s	CAPACITOR, ELECT 10MF/50V
C149	1-164-004-11	s	CAPACITOR, CERAMIC 0.1MF/25V
C150	1-163-243-11	s	CAPACITOR CHIP CERAMIC 47PF/50
C151	1-163-009-11	s	CAPACITOR, CERAMIC 1000PF/50V
C152	1-163-009-11	s	CAPACITOR, CERAMIC 1000PF/50V
C201	1-163-021-91	s	CAPACITOR, CERAMIC 0.01MF/50V
C203	1-163-021-91	s	CAPACITOR, CERAMIC 0.01MF/50V
C204	1-104-665-11	s	CAPACITOR, ELECT 100MF/25V
C205	1-104-665-11	s	CAPACITOR, ELECT 100MF/25V
C206	1-163-021-91	s	CAPACITOR, CERAMIC 0.01MF/50V
C208	1-163-021-91	s	CAPACITOR, CERAMIC 0.01MF/50V
C211	1-104-760-11	s	CAPACITOR CERAMIC 0.047MF/50V
C212	1-163-021-91	s	CAPACITOR, CERAMIC 0.01MF/50V
C213	1-163-031-11	s	CAPACITOR, CHIP CERAMIC 0.01MF
C214	1-164-505-11	s	CAPACITOR, CHIP CERAMIC 2.2MF
C215	1-107-715-11	s	CAPACITOR, ELECT 22MF/50V (BP)
C216	1-163-031-11	s	CAPACITOR, CHIP CERAMIC 0.01MF
C217	1-163-021-91	s	CAPACITOR, CERAMIC 0.01MF/50V
C218	1-163-021-91	s	CAPACITOR, CERAMIC 0.01MF/50V
C219	1-163-021-91	s	CAPACITOR, CERAMIC 0.01MF/50V
C220	1-104-665-11	s	CAPACITOR, ELECT 100MF/25V
C251	1-163-021-91	s	CAPACITOR, CERAMIC 0.01MF/50V
C252	1-163-021-91	s	CAPACITOR, CERAMIC 0.01MF/50V
C253	1-104-665-11	s	CAPACITOR, ELECT 100MF/25V
C254	1-104-665-11	s	CAPACITOR, ELECT 100MF/25V
C255	1-163-038-00	s	CAPACITOR, CERAMIC 0.1MF/25V
C256	1-163-038-00	s	CAPACITOR, CERAMIC 0.1MF/25V
C257	1-163-031-11	s	CAPACITOR, CHIP CERAMIC 0.01MF
C260	1-163-038-00	s	CAPACITOR, CERAMIC 0.1MF/25V
C261	1-163-021-91	s	CAPACITOR, CERAMIC 0.01MF/50V
C303	1-104-665-11	s	CAPACITOR, ELECT 100MF/25V
C306	1-104-760-11	s	CAPACITOR CERAMIC 0.047MF/50V
C307	1-163-021-91	s	CAPACITOR, CERAMIC 0.01MF/50V
C308	1-163-031-11	s	CAPACITOR, CHIP CERAMIC 0.01MF
C309	1-164-505-11	s	CAPACITOR, CHIP CERAMIC 2.2MF
C310	1-163-021-91	s	CAPACITOR, CERAMIC 0.01MF/50V
C311	1-163-021-91	s	CAPACITOR, CERAMIC 0.01MF/50V
C312	1-107-715-11	s	CAPACITOR, ELECT 22MF/50V (BP)
C313	1-164-505-11	s	CAPACITOR, CHIP CERAMIC 2.2MF
C314	1-163-021-91	s	CAPACITOR, CERAMIC 0.01MF/50V
C315	1-163-021-91	s	CAPACITOR, CERAMIC 0.01MF/50V
C316	1-126-935-11	s	CAPACITOR, ELECT 470MF/16V

(B BOARD)

Ref. No. or Q'ty	Part No.	SP	Description
C317	1-126-935-11	s	CAPACITOR,ELECT 470MF/16V
C318	1-126-935-11	s	CAPACITOR,ELECT 470MF/16V
C319	1-163-021-91	s	CAPACITOR, CERAMIC 0.01MF/50V
C351	1-163-021-91	s	CAPACITOR, CERAMIC 0.01MF/50V
C352	1-163-021-91	s	CAPACITOR, CERAMIC 0.01MF/50V
C353	1-164-004-11	s	CAPACITOR,CERAMIC 0.1MF/25V
C406	1-104-760-11	s	CAPACITOR CERAMIC 0.047MF/50V
C407	1-163-021-91	s	CAPACITOR, CERAMIC 0.01MF/50V
C408	1-163-031-11	s	CAPACITOR, CHIP CERAMIC 0.01MF
C409	1-164-505-11	s	CAPACITOR,CHIP CERAMIC 2.2MF
C410	1-163-021-91	s	CAPACITOR, CERAMIC 0.01MF/50V
C411	1-163-021-91	s	CAPACITOR, CERAMIC 0.01MF/50V
C412	1-107-715-11	s	CAPACITOR,ELECT 22MF/50V (BP)
C413	1-164-505-11	s	CAPACITOR,CHIP CERAMIC 2.2MF
C414	1-163-021-91	s	CAPACITOR, CERAMIC 0.01MF/50V
C415	1-163-021-91	s	CAPACITOR, CERAMIC 0.01MF/50V
C419	1-163-021-91	s	CAPACITOR, CERAMIC 0.01MF/50V
C1001	1-163-021-91	s	CAPACITOR, CERAMIC 0.01MF/50V
C1002	1-163-021-91	s	CAPACITOR, CERAMIC 0.01MF/50V
C1003	1-126-964-11	s	CAPACITOR, ELECT 10MF/50V
C1004	1-163-251-11	s	CAPACITOR CERAMIC 100PF/50V
C1005	1-163-251-11	s	CAPACITOR CERAMIC 100PF/50V
C1006	1-163-257-11	s	CAPACITOR CERAMIC 180PF/50V
C1007	1-163-257-11	s	CAPACITOR CERAMIC 180PF/50V
C1008	1-163-251-11	s	CAPACITOR CERAMIC 100PF/50V
C1009	1-163-251-11	s	CAPACITOR CERAMIC 100PF/50V
C1010	1-164-346-11	s	CAPACITOR CHIP CERAMIC 1MF/16V
C1011	1-104-665-11	s	CAPACITOR, ELECT 100MF/25V
C1012	1-163-038-00	s	CAPACITOR, CERAMIC 0.1MF/25V
C1013	1-163-038-00	s	CAPACITOR, CERAMIC 0.1MF/25V
C1014	1-163-038-00	s	CAPACITOR, CERAMIC 0.1MF/25V
C1015	1-163-251-11	s	CAPACITOR CERAMIC 100PF/50V
C1016	1-163-251-11	s	CAPACITOR CERAMIC 100PF/50V
C1018	1-164-005-11	s	CAPACITOR,CERAMIC 0.47MF/25V
C1019	1-163-038-00	s	CAPACITOR, CERAMIC 0.1MF/25V
C1020	1-163-263-11	s	CAPACITOR CERAMIC 330PF/50V
C1021	1-163-038-00	s	CAPACITOR, CERAMIC 0.1MF/25V
C1022	1-126-926-11	s	CAPACITOR,ELECT 1000MF/10V
C1023	1-126-935-11	s	CAPACITOR,ELECT 470MF/16V
C1024	1-135-344-11	s	CAPACITOR,SOLID ELECT 270MF
C1051	1-163-021-91	s	CAPACITOR, CERAMIC 0.01MF/50V
C1052	1-163-021-91	s	CAPACITOR, CERAMIC 0.01MF/50V
C1053	1-163-021-91	s	CAPACITOR, CERAMIC 0.01MF/50V
C1054	1-164-161-11	s	CAPACITOR, CERAMIC 2200PF/100V
C1055	1-163-133-00	s	CAPACITOR,CHIP CERAMIC 470PF
C1056	1-163-017-00	s	CAPACITOR,CHIP CERAMIC 4700PF
C1057	1-164-161-11	s	CAPACITOR, CERAMIC 2200PF/100V
C1058	1-163-251-11	s	CAPACITOR CERAMIC 100PF/50V
C1059	1-164-346-11	s	CAPACITOR CHIP CERAMIC 1MF/16V
C1060	1-163-133-00	s	CAPACITOR,CHIP CERAMIC 470PF
C1061	1-163-259-91	s	CAPACITOR,CHIP CERAMIC 220PF
C1062	1-163-031-11	s	CAPACITOR, CHIP CERAMIC 0.01MF
C1063	1-163-037-11	s	CAPACITOR,CHIP CERAMIC 0.022MF
C1064	1-163-127-00	s	CAPACITOR,CHIP CERAMIC 270PF
C1065	1-163-021-91	s	CAPACITOR, CERAMIC 0.01MF/50V
C1066	1-163-021-91	s	CAPACITOR, CERAMIC 0.01MF/50V
C1067	1-163-259-91	s	CAPACITOR,CHIP CERAMIC 220PF
C1068	1-163-021-91	s	CAPACITOR, CERAMIC 0.01MF/50V
C1069	1-163-021-91	s	CAPACITOR, CERAMIC 0.01MF/50V

(B BOARD)

Ref. No. or Q'ty	Part No.	SP	Description
C1070	1-163-021-91	s	CAPACITOR, CERAMIC 0.01MF/50V
C1071	1-163-021-91	s	CAPACITOR, CERAMIC 0.01MF/50V
C1072	1-163-021-91	s	CAPACITOR, CERAMIC 0.01MF/50V
C1073	1-164-489-11	s	CAPACITOR,CHIP CERAMIC 0.22MF
C1074	1-164-489-11	s	CAPACITOR,CHIP CERAMIC 0.22MF
C1075	1-126-935-11	s	CAPACITOR,ELECT 470MF/16V
C1076	1-126-935-11	s	CAPACITOR,ELECT 470MF/16V
C1201	1-126-964-11	s	CAPACITOR, ELECT 10MF/50V
C1202	1-126-964-11	s	CAPACITOR, ELECT 10MF/50V
C1203	1-163-021-91	s	CAPACITOR, CERAMIC 0.01MF/50V
C1204	1-163-021-91	s	CAPACITOR, CERAMIC 0.01MF/50V
C1205	1-104-665-11	s	CAPACITOR, ELECT 100MF/25V
C1251	1-128-551-11	s	CAPACITOR ERECT 22MF/63V
C1252	1-128-551-11	s	CAPACITOR ERECT 22MF/63V
C1253	1-125-889-11	s	CAPACITOR, C.CERAMIC 2.2MF
C1254	1-163-021-91	s	CAPACITOR, CERAMIC 0.01MF/50V
C1256	1-163-087-00	s	CAPACITOR,CHIP CERAMIC 4.0PF
C1257	1-104-760-11	s	CAPACITOR CERAMIC 0.047MF/50V
C1258	1-163-021-91	s	CAPACITOR, CERAMIC 0.01MF/50V
C1259	1-126-960-11	s	CAPACITOR,ELECT 1MF/50V
C1260	1-163-021-91	s	CAPACITOR, CERAMIC 0.01MF/50V
C1261	1-163-021-91	s	CAPACITOR, CERAMIC 0.01MF/50V
C1262	1-109-982-11	s	CAPACITOR,CHIP CERAMIC 1MF/10V
C1302	1-163-021-91	s	CAPACITOR, CERAMIC 0.01MF/50V
C1303	1-128-551-11	s	CAPACITOR ERECT 22MF/63V
C1304	1-128-551-11	s	CAPACITOR ERECT 22MF/63V
C1305	1-163-031-11	s	CAPACITOR, CHIP CERAMIC 0.01MF
C1306	1-163-031-11	s	CAPACITOR, CHIP CERAMIC 0.01MF
C1307	1-126-964-11	s	CAPACITOR, ELECT 10MF/50V
C1308	1-163-021-91	s	CAPACITOR, CERAMIC 0.01MF/50V
C1309	1-163-021-91	s	CAPACITOR, CERAMIC 0.01MF/50V
C1351	1-128-551-11	s	CAPACITOR ERECT 22MF/63V
C1352	1-128-551-11	s	CAPACITOR ERECT 22MF/63V
C1353	1-125-889-11	s	CAPACITOR, C.CERAMIC 2.2MF
C1356	1-163-220-11	s	CAPACITOR, CHIP CERAMIC 3.0PF
C1357	1-104-760-11	s	CAPACITOR CERAMIC 0.047MF/50V
C1358	1-163-021-91	s	CAPACITOR, CERAMIC 0.01MF/50V
C1359	1-126-960-11	s	CAPACITOR,ELECT 1MF/50V
C1360	1-165-815-11	s	CAPACITOR,CERAMIC 2200000PF F
C1361	1-163-021-91	s	CAPACITOR, CERAMIC 0.01MF/50V
C1362	1-109-982-11	s	CAPACITOR,CHIP CERAMIC 1MF/10V
C1401	1-104-665-11	s	CAPACITOR, ELECT 100MF/25V
C1402	1-128-551-11	s	CAPACITOR ERECT 22MF/63V
C1403	1-163-021-91	s	CAPACITOR, CERAMIC 0.01MF/50V
C1404	1-128-551-11	s	CAPACITOR ERECT 22MF/63V
C1405	1-163-031-11	s	CAPACITOR, CHIP CERAMIC 0.01MF
C1406	1-163-031-11	s	CAPACITOR, CHIP CERAMIC 0.01MF
C1407	1-126-964-11	s	CAPACITOR, ELECT 10MF/50V
C1408	1-163-021-91	s	CAPACITOR, CERAMIC 0.01MF/50V
C1409	1-163-021-91	s	CAPACITOR, CERAMIC 0.01MF/50V
C1451	1-128-551-11	s	CAPACITOR ERECT 22MF/63V
C1452	1-128-551-11	s	CAPACITOR ERECT 22MF/63V
C1453	1-125-889-11	s	CAPACITOR, C.CERAMIC 2.2MF
C1454	1-163-021-91	s	CAPACITOR, CERAMIC 0.01MF/50V
C1456	1-163-087-00	s	CAPACITOR,CHIP CERAMIC 4.0PF
C1457	1-104-760-11	s	CAPACITOR CERAMIC 0.047MF/50V
C1458	1-163-021-91	s	CAPACITOR, CERAMIC 0.01MF/50V
C1459	1-126-960-11	s	CAPACITOR,ELECT 1MF/50V
C1460	1-109-982-11	s	CAPACITOR,CHIP CERAMIC 1MF/10V

(B BOARD)

Ref. No. or Q'ty	Part No.	SP	Description
C1461	1-163-021-91	s	CAPACITOR, CERAMIC 0.01MF/50V
C1462	1-163-021-91	s	CAPACITOR, CERAMIC 0.01MF/50V
C1463	1-104-665-11	s	CAPACITOR, ELECT 100MF/25V
C1464	1-104-665-11	s	CAPACITOR, ELECT 100MF/25V
C2001	1-126-935-11	s	CAPACITOR,ELECT 470MF/16V
C2002	1-163-035-00	s	CAPACITOR,CHIP CERAMIC 0.047MF
C2003	1-163-809-11	s	CAPACITOR,CHIP CERAMIC 0.047MF
C2004	1-163-809-11	s	CAPACITOR,CHIP CERAMIC 0.047MF
C2005	1-163-809-11	s	CAPACITOR,CHIP CERAMIC 0.047MF
C2006	1-163-031-11	s	CAPACITOR, CHIP CERAMIC 0.01MF
C2007	1-163-035-00	s	CAPACITOR,CHIP CERAMIC 0.047MF
C2008	1-163-035-00	s	CAPACITOR,CHIP CERAMIC 0.047MF
C2009	1-163-035-00	s	CAPACITOR,CHIP CERAMIC 0.047MF
C2010	1-163-255-91	s	CAPACITOR,CHIP CERAMIC 150PF
C2011	1-163-038-00	s	CAPACITOR, CERAMIC 0.1MF/25V
C2012	1-163-021-91	s	CAPACITOR, CERAMIC 0.01MF/50V
C2013	1-163-021-91	s	CAPACITOR, CERAMIC 0.01MF/50V
C2014	1-163-251-11	s	CAPACITOR CERAMIC 100PF/50V
C2015	1-163-251-11	s	CAPACITOR CERAMIC 100PF/50V
C2016	1-164-489-11	s	CAPACITOR,CHIP CERAMIC 0.22MF
C2017	1-126-947-11	s	CAPACITOR, ELECT 47MF/35V
C2018	1-126-947-11	s	CAPACITOR, ELECT 47MF/35V
C2019	1-164-005-11	s	CAPACITOR,CERAMIC 0.47MF/25V
C2020	1-164-005-11	s	CAPACITOR,CERAMIC 0.47MF/25V
C2021	1-163-031-11	s	CAPACITOR, CHIP CERAMIC 0.01MF
C2022	1-163-021-91	s	CAPACITOR, CERAMIC 0.01MF/50V
C2023	1-163-031-11	s	CAPACITOR, CHIP CERAMIC 0.01MF
C2024	1-163-031-11	s	CAPACITOR, CHIP CERAMIC 0.01MF
C2026	1-163-133-00	s	CAPACITOR,CHIP CERAMIC 470PF
C2041	1-163-021-91	s	CAPACITOR, CERAMIC 0.01MF/50V
C2042	1-126-933-11	s	CAPACITOR,ELECT 100MF/16V
C2043	1-163-021-91	s	CAPACITOR, CERAMIC 0.01MF/50V
C2044	1-130-992-11	s	CAPACITOR FILM 0.022MF/50V(PP)
C2046	1-163-031-11	s	CAPACITOR, CHIP CERAMIC 0.01MF
C2047	1-163-031-11	s	CAPACITOR, CHIP CERAMIC 0.01MF
C2048	1-164-182-11	s	CAPACITOR, CERAMIC 3300PF/100V
C2049	1-163-021-91	s	CAPACITOR, CERAMIC 0.01MF/50V
C2051	1-163-021-91	s	CAPACITOR, CERAMIC 0.01MF/50V
C2052	1-163-243-11	s	CAPACITOR CHIP CERAMIC 47PF/50V
C2056	1-163-021-91	s	CAPACITOR, CERAMIC 0.01MF/50V
C2057	1-163-021-91	s	CAPACITOR, CERAMIC 0.01MF/50V
C2201	1-165-815-11	s	CAPACITOR,CERAMIC 2200000PF F
C2202	1-164-004-11	s	CAPACITOR,CERAMIC 0.1MF/25V
C2203	1-164-004-11	s	CAPACITOR,CERAMIC 0.1MF/25V
C2204	1-164-004-11	s	CAPACITOR,CERAMIC 0.1MF/25V
C2205	1-163-009-11	s	CAPACITOR,CERAMIC 1000PF/50V
C2206	1-163-251-11	s	CAPACITOR CERAMIC 100PF/50V
C2207	1-163-275-11	s	CAPACITOR CERAMIC 1000PF/50V
C2210	1-163-021-91	s	CAPACITOR, CERAMIC 0.01MF/50V
C2212	1-163-005-11	s	CAPACITOR CHIP CERAMIC 470PF
C2213	1-126-935-11	s	CAPACITOR,ELECT 470MF/16V
C2301	1-165-815-11	s	CAPACITOR,CERAMIC 2200000PF F
C2302	1-164-004-11	s	CAPACITOR,CERAMIC 0.1MF/25V
C2303	1-164-004-11	s	CAPACITOR,CERAMIC 0.1MF/25V
C2304	1-164-004-11	s	CAPACITOR,CERAMIC 0.1MF/25V
C2305	1-163-009-11	s	CAPACITOR,CERAMIC 1000PF/50V
C2306	1-163-251-11	s	CAPACITOR CERAMIC 100PF/50V
C2307	1-163-275-11	s	CAPACITOR CERAMIC 1000PF/50V
C2310	1-163-021-91	s	CAPACITOR, CERAMIC 0.01MF/50V

(B BOARD)

Ref. No. or Q'ty	Part No.	SP	Description
C2312	1-163-005-11	s	CAPACITOR CHIP CERAMIC 470PF
C2313	1-126-935-11	s	CAPACITOR,ELECT 470MF/16V
C2401	1-164-004-11	s	CAPACITOR,CERAMIC 0.1MF/25V
C2402	1-163-038-00	s	CAPACITOR, CERAMIC 0.1MF/25V
C2403	1-165-815-11	s	CAPACITOR,CERAMIC 2200000PF F
C2404	1-164-004-11	s	CAPACITOR,CERAMIC 0.1MF/25V
C2405	1-164-004-11	s	CAPACITOR,CERAMIC 0.1MF/25V
C2406	1-163-009-11	s	CAPACITOR,CERAMIC 1000PF/50V
C2407	1-163-251-11	s	CAPACITOR CERAMIC 100PF/50V
C2408	1-163-275-11	s	CAPACITOR CERAMIC 1000PF/50V
C2411	1-163-021-91	s	CAPACITOR, CERAMIC 0.01MF/50V
C2412	1-163-005-11	s	CAPACITOR CHIP CERAMIC 470PF
C2413	1-126-935-11	s	CAPACITOR,ELECT 470MF/16V
CN101	1-564-510-11	o	PLUG,CONNECTOR (7P)
CN102	1-564-507-11	o	PLUG,CONNECTOR (4P)
CN103	1-564-508-11	o	PLUG,CONNECTOR (5P)
CN104	1-564-512-11	o	PLUG,CONNECTOR (9P)
CN105	1-564-506-11	o	PLUG,CONNECTOR (3P)
CN107	1-815-353-21	o	CONNECTOR, BORD TO BOARD 50P
CN108	1-793-798-21	o	CONNECTOR, BOARD TO BOARD
CN109	1-564-520-11	o	PLUG,CONNECTOR (5P)(L-TYPE)
CN110	1-564-521-11	o	PLUG,CONNECTOR (6P)(L-TYPE)
CN113	1-764-333-11	o	PIN, CONNECTOR (10P)(V TYPE)
CN201	1-564-509-11	o	PLUG,CONNECTOR (6P)
CN301	1-564-524-11	o	PLUG,CONNECTOR (9P)(L-TYPE)
CN302	1-774-525-11	s	SOCKET, CONNECTOR 64P
CN2001	1-564-528-11	s	PLUG,CONNECTOR (13P)(L-TYPE)
CN2401	1-564-525-11	o	PLUG,CONNECTOR (10P)(L-TYPE)
D3	8-719-158-09	s	DIODE RD4.7SB2
D4	8-719-158-09	s	DIODE RD4.7SB2
D5	8-719-158-09	s	DIODE RD4.7SB2
D101	8-719-033-53	s	DIODE RD6.8SB2-T1
D102	8-719-033-53	s	DIODE RD6.8SB2-T1
D1001	8-719-016-74	s	DIODE 1SS352
D1002	8-719-016-74	s	DIODE 1SS352
D1053	8-719-016-74	s	DIODE 1SS352
D1054	8-719-016-74	s	DIODE 1SS352
D1055	8-719-016-74	s	DIODE 1SS352
D1056	8-719-016-74	s	DIODE 1SS352
D1057	8-719-073-01	s	DIODE MA111-(K8).S0
D2001	8-719-073-01	s	DIODE MA111-(K8).S0
D2004	8-719-073-01	s	DIODE MA111-(K8).S0
D2005	8-719-073-01	s	DIODE MA111-(K8).S0
D2006	8-719-073-01	s	DIODE MA111-(K8).S0
D2201	8-719-083-57	s	DIODE UDZSTE-173.6B
D2202	8-719-073-01	s	DIODE MA111-(K8).S0
D2301	8-719-083-57	s	DIODE UDZSTE-173.6B
D2302	8-719-073-01	s	DIODE MA111-(K8).S0
D2303	8-719-037-00	s	DIODE RD6.2SB2-T1
D2401	8-719-083-57	s	DIODE UDZSTE-173.6B
D2402	8-719-073-01	s	DIODE MA111-(K8).S0
DL251	1-411-450-11	s	DELAY LINE
DL252	1-411-450-11	s	DELAY LINE
DL253	1-234-455-11	s	DELAY LINE
DL254	1-234-455-11	s	DELAY LINE
DL255	1-411-451-11	s	DELAY LINE
DL256	1-234-456-11	s	DELAY LINE
DL351	1-402-770-11	s	DELAY LINE

(B BOARD)

Ref. No. or Q'ty	Part No.	SP	Description
DL352	1-416-476-21	s	DELAY LINE
DL451	1-402-770-11	s	DELAY LINE
DL452	1-416-476-21	s	DELAY LINE
FL101	1-239-183-11	s	FILTER,EMI
FL102	1-239-183-11	s	FILTER,EMI
FL103	1-239-183-11	s	FILTER,EMI
FL104	1-239-183-11	s	FILTER,EMI
FL301	1-239-183-11	s	FILTER,EMI
FL302	1-239-183-11	s	FILTER,EMI
FL303	1-239-183-11	s	FILTER,EMI
IC1	8-759-567-08	s	IC MB88141APF-ER
IC3	8-759-482-47	s	IC M62399FP (TE2)
IC4	8-759-482-47	s	IC M62399FP (TE2)
IC5	8-759-567-08	s	IC MB88141APF-ER
IC51	8-759-328-12	s	IC Z8622812PSC
IC52	8-759-424-13	s	IC MC74HC00AFEL
IC53	8-759-367-62	s	IC MC74HC157AFEL
IC54	8-759-367-62	s	IC MC74HC157AFEL
IC55	8-759-082-61	s	IC TC4W53FU
IC56	8-759-394-05	s	IC TC7SH08F-TE85R
IC101	8-759-252-59	s	IC MAX202CSE
IC102	8-759-491-36	s	IC TC74VHCT244AF (EL)
IC103	8-759-491-36	s	IC TC74VHCT244AF (EL)
IC104	8-759-575-72	s	IC M24C08-WMN6T
IC105	8-759-582-91	s	IC S-80842ANNP-ED6-T2
IC106	6-700-637-01	s	IC MB90096PF-G-223-BND
IC107	8-759-431-14	s	IC PQ3TZ253U
IC108	6-700-150-01	s	IC M24C04-WMN6T(A)
IC110	6-800-717-01	s	IC MB90096PF-G-227-BND
IC201	8-759-671-94	s	IC MC74HC4053AFEL
IC202	8-759-671-94	s	IC MC74HC4053AFEL
IC203	8-759-700-78	s	IC NJM082M
IC204	8-752-054-80	s	IC CXA1521M
IC251	8-759-671-94	s	IC MC74HC4053AFEL
IC252	8-752-053-21	s	IC CXA1211M
IC302	8-759-671-94	s	IC MC74HC4053AFEL
IC303	8-759-700-78	s	IC NJM082M
IC304	8-752-054-80	s	IC CXA1521M
IC351	8-759-671-94	s	IC MC74HC4053AFEL
IC402	8-759-671-94	s	IC MC74HC4053AFEL
IC403	8-759-700-78	s	IC NJM082M
IC404	8-752-054-80	s	IC CXA1521M
IC1001	8-759-671-94	s	IC MC74HC4053AFEL
IC1053	8-759-038-15	s	IC MC74HC4538AF
IC1054	8-759-671-94	s	IC MC74HC4053AFEL
IC1055	8-759-083-94	s	IC TC7W74FU
IC1056	8-759-038-15	s	IC MC74HC4538AF
IC1057	8-759-100-96	s	IC UPC4558G2
IC1058	8-759-234-20	s	IC TC7S08F
IC1059	8-759-035-90	s	IC SC7S02F
IC1252	8-759-700-78	s	IC NJM082M
IC1253	8-759-671-94	s	IC MC74HC4053AFEL
IC1301	8-752-053-21	s	IC CXA1211M
IC1352	8-759-700-78	s	IC NJM082M
IC1353	8-759-671-94	s	IC MC74HC4053AFEL
IC1401	8-752-053-21	s	IC CXA1211M
IC1451	8-759-492-19	s	IC MM1231XFB
IC1452	8-759-700-78	s	IC NJM082M

(B BOARD)

Ref. No. or Q'ty	Part No.	SP	Description
IC1453	8-759-671-94	s	IC MC74HC4053AFEL
IC2001	8-752-067-05	s	IC CXA1739S
IC2041	8-759-242-68	s	IC TC7W32F
IC2042	8-759-239-34	s	IC TC74HC4538AF
IC2043	8-759-523-84	s	IC TC74VHC14FT (EL)
IC2044	8-759-100-96	s	IC UPC4558G2
IC2045	8-759-058-64	s	IC TC7S32FU-TE85R
IC2046	8-759-038-15	s	IC MC74HC4538AF
IC2047	8-759-100-96	s	IC UPC4558G2
L51	1-410-470-11	s	MICRO INDUCTOR 10UH
L101	1-412-537-31	s	INDUCTOR,MICRO 100UH
L102	1-412-537-31	s	INDUCTOR,MICRO 100UH
L103	1-412-537-31	s	INDUCTOR,MICRO 100UH
L104	1-412-537-31	s	INDUCTOR,MICRO 100UH
L301	1-406-665-11	s	COIL CHOKE 100UH
L302	1-406-665-11	s	COIL CHOKE 100UH
L303	1-406-665-11	s	COIL CHOKE 100UH
Q54	8-729-120-28	s	TRANSISTOR 2SC1623-L5L6
Q55	8-729-026-49	s	TRANSISTOR 2SA1037AK-T146-R
Q56	8-729-120-28	s	TRANSISTOR 2SC1623-L5L6
Q101	8-729-027-38	s	TRANSISTOR DTA144EKA-T146
Q102	1-801-806-11	s	TRANSISTOR DTC144EKA
Q103	8-729-027-38	s	TRANSISTOR DTA144EKA-T146
Q104	1-801-806-11	s	TRANSISTOR DTC144EKA
Q105	1-801-806-11	s	TRANSISTOR DTC144EKA
Q106	1-801-806-11	s	TRANSISTOR DTC144EKA
Q107	1-801-806-11	s	TRANSISTOR DTC144EKA
Q108	1-801-806-11	s	TRANSISTOR DTC144EKA
Q109	1-801-806-11	s	TRANSISTOR DTC144EKA
Q110	8-729-047-73	s	TRANSISTOR 2SK2731T146
Q111	8-729-047-73	s	TRANSISTOR 2SK2731T146
Q112	1-801-806-11	s	TRANSISTOR DTC144EKA
Q113	1-801-806-11	s	TRANSISTOR DTC144EKA
Q114	8-729-027-38	s	TRANSISTOR DTA144EKA-T146
Q115	1-801-806-11	s	TRANSISTOR DTC144EKA
Q116	1-801-806-11	s	TRANSISTOR DTC144EKA
Q117	1-801-806-11	s	TRANSISTOR DTC144EKA
Q118	1-801-806-11	s	TRANSISTOR DTC144EKA
Q119	1-801-806-11	s	TRANSISTOR DTC144EKA
Q120	1-801-806-11	s	TRANSISTOR DTC144EKA
Q121	1-801-806-11	s	TRANSISTOR DTC144EKA
Q201	8-729-112-65	s	TRANSISTOR 2SA1462
Q202	8-729-107-31	s	TRANSISTOR 2SC3545
Q203	8-729-920-59	s	TRANSISTOR IMX2
Q204	8-729-107-31	s	TRANSISTOR 2SC3545
Q205	8-729-107-31	s	TRANSISTOR 2SC3545
Q251	8-729-120-28	s	TRANSISTOR 2SC1623-L5L6
Q252	8-729-120-28	s	TRANSISTOR 2SC1623-L5L6
Q253	8-729-120-28	s	TRANSISTOR 2SC1623-L5L6
Q254	8-729-120-28	s	TRANSISTOR 2SC1623-L5L6
Q255	8-729-120-28	s	TRANSISTOR 2SC1623-L5L6
Q256	8-729-107-31	s	TRANSISTOR 2SC3545
Q257	1-801-806-11	s	TRANSISTOR DTC144EKA
Q258	8-729-026-49	s	TRANSISTOR 2SA1037AK-T146-R
Q259	8-729-120-28	s	TRANSISTOR 2SC1623-L5L6
Q260	8-729-112-65	s	TRANSISTOR 2SA1462
Q261	8-729-107-31	s	TRANSISTOR 2SC3545
Q262	8-729-112-65	s	TRANSISTOR 2SA1462

(B BOARD)

Ref. No. or Q'ty	Part No.	SP	Description
Q263	8-729-107-31	s	TRANSISTOR 2SC3545
Q264	8-729-112-65	s	TRANSISTOR 2SA1462
Q265	8-729-107-31	s	TRANSISTOR 2SC3545
Q301	8-729-112-65	s	TRANSISTOR 2SA1462
Q302	8-729-107-31	s	TRANSISTOR 2SC3545
Q303	8-729-920-59	s	TRANSISTOR IMX2
Q304	8-729-107-31	s	TRANSISTOR 2SC3545
Q305	8-729-107-31	s	TRANSISTOR 2SC3545
Q351	8-729-026-49	s	TRANSISTOR 2SA1037AK-T146-R
Q352	8-729-120-28	s	TRANSISTOR 2SC1623-L5L6
Q353	8-729-112-65	s	TRANSISTOR 2SA1462
Q354	8-729-107-31	s	TRANSISTOR 2SC3545
Q355	8-729-107-31	s	TRANSISTOR 2SC3545
Q356	8-729-112-65	s	TRANSISTOR 2SA1462
Q357	8-729-107-31	s	TRANSISTOR 2SC3545
Q401	8-729-112-65	s	TRANSISTOR 2SA1462
Q402	8-729-107-31	s	TRANSISTOR 2SC3545
Q403	8-729-920-59	s	TRANSISTOR IMX2
Q404	8-729-107-31	s	TRANSISTOR 2SC3545
Q405	8-729-107-31	s	TRANSISTOR 2SC3545
Q451	8-729-026-49	s	TRANSISTOR 2SA1037AK-T146-R
Q452	8-729-120-28	s	TRANSISTOR 2SC1623-L5L6
Q453	8-729-112-65	s	TRANSISTOR 2SA1462
Q454	8-729-107-31	s	TRANSISTOR 2SC3545
Q455	8-729-107-31	s	TRANSISTOR 2SC3545
Q456	8-729-112-65	s	TRANSISTOR 2SA1462
Q457	8-729-107-31	s	TRANSISTOR 2SC3545
Q1001	8-729-026-49	s	TRANSISTOR 2SA1037AK-T146-R
Q1002	8-729-026-49	s	TRANSISTOR 2SA1037AK-T146-R
Q1003	8-729-026-49	s	TRANSISTOR 2SA1037AK-T146-R
Q1004	8-729-920-59	s	TRANSISTOR IMX2
Q1005	8-729-120-28	s	TRANSISTOR 2SC1623-L5L6
Q1006	8-729-920-59	s	TRANSISTOR IMX2
Q1007	8-729-026-49	s	TRANSISTOR 2SA1037AK-T146-R
Q1008	8-729-107-31	s	TRANSISTOR 2SC3545
Q1009	8-729-120-28	s	TRANSISTOR 2SC1623-L5L6
Q1010	8-729-925-42	s	TRANSISTOR IMT2
Q1011	8-729-026-49	s	TRANSISTOR 2SA1037AK-T146-R
Q1012	8-729-120-28	s	TRANSISTOR 2SC1623-L5L6
Q1013	8-729-120-28	s	TRANSISTOR 2SC1623-L5L6
Q1014	8-729-925-42	s	TRANSISTOR IMT2
Q1015	8-729-026-49	s	TRANSISTOR 2SA1037AK-T146-R
Q1016	8-729-120-28	s	TRANSISTOR 2SC1623-L5L6
Q1017	8-729-920-59	s	TRANSISTOR IMX2
Q1018	8-729-112-65	s	TRANSISTOR 2SA1462
Q1019	8-729-120-28	s	TRANSISTOR 2SC1623-L5L6
Q1053	8-729-027-38	s	TRANSISTOR DTA144EKA-T146
Q1054	8-729-027-38	s	TRANSISTOR DTA144EKA-T146
Q1055	8-729-026-49	s	TRANSISTOR 2SA1037AK-T146-R
Q1056	8-729-027-38	s	TRANSISTOR DTA144EKA-T146
Q1057	8-729-026-49	s	TRANSISTOR 2SA1037AK-T146-R
Q1058	8-729-027-38	s	TRANSISTOR DTA144EKA-T146
Q1059	8-729-120-28	s	TRANSISTOR 2SC1623-L5L6
Q1060	8-729-026-49	s	TRANSISTOR 2SA1037AK-T146-R
Q1061	8-729-026-49	s	TRANSISTOR 2SA1037AK-T146-R
Q1062	8-729-026-49	s	TRANSISTOR 2SA1037AK-T146-R
Q1063	1-801-806-11	s	TRANSISTOR DTC144EKA
Q1064	8-729-202-38	s	TRANSISTOR 2SC3326N-A
Q1065	8-729-202-38	s	TRANSISTOR 2SC3326N-A

(B BOARD)

Ref. No. or Q'ty	Part No.	SP	Description
Q1201	8-729-026-49	s	TRANSISTOR 2SA1037AK-T146-R
Q1202	8-729-026-49	s	TRANSISTOR 2SA1037AK-T146-R
Q1203	8-729-112-65	s	TRANSISTOR 2SA1462
Q1204	8-729-107-31	s	TRANSISTOR 2SC3545
Q1205	8-729-107-31	s	TRANSISTOR 2SC3545
Q1206	8-729-107-31	s	TRANSISTOR 2SC3545
Q1207	8-729-107-31	s	TRANSISTOR 2SC3545
Q1251	8-729-112-65	s	TRANSISTOR 2SA1462
Q1252	8-729-107-31	s	TRANSISTOR 2SC3545
Q1253	8-729-107-31	s	TRANSISTOR 2SC3545
Q1254	8-729-120-28	s	TRANSISTOR 2SC1623-L5L6
Q1255	8-729-026-49	s	TRANSISTOR 2SA1037AK-T146-R
Q1256	8-729-107-31	s	TRANSISTOR 2SC3545
Q1301	8-729-120-28	s	TRANSISTOR 2SC1623-L5L6
Q1302	8-729-107-31	s	TRANSISTOR 2SC3545
Q1303	8-729-107-31	s	TRANSISTOR 2SC3545
Q1351	8-729-112-65	s	TRANSISTOR 2SA1462
Q1352	8-729-107-31	s	TRANSISTOR 2SC3545
Q1353	8-729-107-31	s	TRANSISTOR 2SC3545
Q1354	8-729-120-28	s	TRANSISTOR 2SC1623-L5L6
Q1355	8-729-026-49	s	TRANSISTOR 2SA1037AK-T146-R
Q1356	8-729-107-31	s	TRANSISTOR 2SC3545
Q1401	8-729-112-65	s	TRANSISTOR 2SA1462
Q1402	8-729-120-28	s	TRANSISTOR 2SC1623-L5L6
Q1403	8-729-107-31	s	TRANSISTOR 2SC3545
Q1404	8-729-107-31	s	TRANSISTOR 2SC3545
Q1451	8-729-112-65	s	TRANSISTOR 2SA1462
Q1452	8-729-107-31	s	TRANSISTOR 2SC3545
Q1453	8-729-107-31	s	TRANSISTOR 2SC3545
Q1454	8-729-120-28	s	TRANSISTOR 2SC1623-L5L6
Q1455	8-729-026-49	s	TRANSISTOR 2SA1037AK-T146-R
Q1456	8-729-107-31	s	TRANSISTOR 2SC3545
Q2002	1-801-806-11	s	TRANSISTOR DTC144EKA
Q2003	8-729-026-49	s	TRANSISTOR 2SA1037AK-T146-R
Q2004	8-729-120-28	s	TRANSISTOR 2SC1623-L5L6
Q2005	8-729-120-28	s	TRANSISTOR 2SC1623-L5L6
Q2006	8-729-120-28	s	TRANSISTOR 2SC1623-L5L6
Q2007	1-801-806-11	s	TRANSISTOR DTC144EKA
Q2039	8-729-027-38	s	TRANSISTOR DTA144EKA-T146
Q2040	8-729-026-49	s	TRANSISTOR 2SA1037AK-T146-R
Q2041	8-729-027-38	s	TRANSISTOR DTA144EKA-T146
Q2043	8-729-026-49	s	TRANSISTOR 2SA1037AK-T146-R
Q2201	8-729-112-65	s	TRANSISTOR 2SA1462
Q2202	8-729-120-28	s	TRANSISTOR 2SC1623-L5L6
Q2203	8-729-120-28	s	TRANSISTOR 2SC1623-L5L6
Q2204	8-729-112-65	s	TRANSISTOR 2SA1462
Q2205	8-729-107-31	s	TRANSISTOR 2SC3545
Q2209	8-729-112-65	s	TRANSISTOR 2SA1462
Q2210	8-729-120-28	s	TRANSISTOR 2SC1623-L5L6
Q2212	1-801-806-11	s	TRANSISTOR DTC144EKA
Q2301	8-729-112-65	s	TRANSISTOR 2SA1462
Q2302	8-729-120-28	s	TRANSISTOR 2SC1623-L5L6
Q2303	8-729-120-28	s	TRANSISTOR 2SC1623-L5L6
Q2304	8-729-112-65	s	TRANSISTOR 2SA1462
Q2305	8-729-107-31	s	TRANSISTOR 2SC3545
Q2309	8-729-112-65	s	TRANSISTOR 2SA1462
Q2310	8-729-120-28	s	TRANSISTOR 2SC1623-L5L6
Q2312	1-801-806-11	s	TRANSISTOR DTC144EKA
Q2401	8-729-112-65	s	TRANSISTOR 2SA1462

(B BOARD)

Ref. No. or Q'ty	Part No.	SP	Description
Q2402	8-729-120-28	s	TRANSISTOR 2SC1623-L5L6
Q2403	8-729-120-28	s	TRANSISTOR 2SC1623-L5L6
Q2404	8-729-112-65	s	TRANSISTOR 2SA1462
Q2405	8-729-107-31	s	TRANSISTOR 2SC3545
Q2409	8-729-112-65	s	TRANSISTOR 2SA1462
Q2410	8-729-120-28	s	TRANSISTOR 2SC1623-L5L6
Q2412	1-801-806-11	s	TRANSISTOR DTC144EKA
R1	1-216-001-00	s	RESISTOR, CHIP 10 1/10W(2012)
R2	1-216-001-00	s	RESISTOR, CHIP 10 1/10W(2012)
R3	1-216-001-00	s	RESISTOR, CHIP 10 1/10W(2012)
R4	1-216-001-00	s	RESISTOR, CHIP 10 1/10W(2012)
R5	1-216-061-00	s	RESISTOR CHIP 3.3K 1/10W(2012)
R6	1-216-049-11	s	RESISTOR, CHIP 1K 1/10W(2012)
R7	1-216-057-00	s	RESISTOR CHIP 2.2K 1/10W(2012)
R8	1-216-061-00	s	RESISTOR CHIP 3.3K 1/10W(2012)
R9	1-216-131-11	s	RESISTOR,CHIP 2.7M 1/10W(2012)
R10	1-216-071-00	s	RESISTOR,CHIP 8.2K 1/10W(2012)
R11	1-216-131-11	s	RESISTOR,CHIP 2.7M 1/10W(2012)
R12	1-216-071-00	s	RESISTOR,CHIP 8.2K 1/10W(2012)
R13	1-216-001-00	s	RESISTOR, CHIP 10 1/10W(2012)
R14	1-216-001-00	s	RESISTOR, CHIP 10 1/10W(2012)
R15	1-216-071-00	s	RESISTOR,CHIP 8.2K 1/10W(2012)
R16	1-216-131-11	s	RESISTOR,CHIP 2.7M 1/10W(2012)
R17	1-216-071-00	s	RESISTOR,CHIP 8.2K 1/10W(2012)
R18	1-216-131-11	s	RESISTOR,CHIP 2.7M 1/10W(2012)
R19	1-216-131-11	s	RESISTOR,CHIP 2.7M 1/10W(2012)
R20	1-216-071-00	s	RESISTOR,CHIP 8.2K 1/10W(2012)
R21	1-216-131-11	s	RESISTOR,CHIP 2.7M 1/10W(2012)
R22	1-216-071-00	s	RESISTOR,CHIP 8.2K 1/10W(2012)
R23	1-216-049-11	s	RESISTOR, CHIP 1K 1/10W(2012)
R24	1-216-668-11	s	RESISTOR,CHIP 5.1K 1/10W(2012)
R25	1-216-049-11	s	RESISTOR, CHIP 1K 1/10W(2012)
R26	1-216-668-11	s	RESISTOR,CHIP 5.1K 1/10W(2012)
R27	1-216-049-11	s	RESISTOR, CHIP 1K 1/10W(2012)
R28	1-216-668-11	s	RESISTOR,CHIP 5.1K 1/10W(2012)
R29	1-216-001-00	s	RESISTOR, CHIP 10 1/10W(2012)
R30	1-216-001-00	s	RESISTOR, CHIP 10 1/10W(2012)
R51	1-216-097-00	s	RESISTOR CHIP 100K 1/10W(2012)
R52	1-216-073-00	s	RESISTOR,CHIP 10K 1/10W(2012)
R53	1-216-097-00	s	RESISTOR CHIP 100K 1/10W(2012)
R54	1-216-097-00	s	RESISTOR CHIP 100K 1/10W(2012)
R55	1-216-097-00	s	RESISTOR CHIP 100K 1/10W(2012)
R56	1-216-025-00	s	RESISTOR,CHIP 100 1/10W(2012)
R57	1-216-073-00	s	RESISTOR,CHIP 10K 1/10W(2012)
R58	1-216-073-00	s	RESISTOR,CHIP 10K 1/10W(2012)
R59	1-216-073-00	s	RESISTOR,CHIP 10K 1/10W(2012)
R61	1-216-049-11	s	RESISTOR, CHIP 1K 1/10W(2012)
R62	1-216-049-11	s	RESISTOR, CHIP 1K 1/10W(2012)
R63	1-216-025-00	s	RESISTOR,CHIP 100 1/10W(2012)
R64	1-216-025-00	s	RESISTOR,CHIP 100 1/10W(2012)
R65	1-216-025-00	s	RESISTOR,CHIP 100 1/10W(2012)
R67	1-216-049-11	s	RESISTOR, CHIP 1K 1/10W(2012)
R68	1-216-049-11	s	RESISTOR, CHIP 1K 1/10W(2012)
R69	1-216-069-00	s	RESISTOR,CHIP 6.8K 1/10W(2012)
R71	1-216-049-11	s	RESISTOR, CHIP 1K 1/10W(2012)
R73	1-216-049-11	s	RESISTOR, CHIP 1K 1/10W(2012)
R74	1-216-081-00	s	RESISTOR,CHIP 22K 1/10W(2012)
R75	1-216-055-00	s	RESISTOR CHIP 1.8K 1/10W(2012)

(B BOARD)

Ref. No. or Q'ty	Part No.	SP	Description
R76	1-216-079-00	s	RESISTOR CHIP 18K 1/10W(2012)
R77	1-216-049-11	s	RESISTOR, CHIP 1K 1/10W(2012)
R78	1-216-059-00	s	RESISTOR,CHIP 2.7K 1/10W(2012)
R101	1-216-049-11	s	RESISTOR, CHIP 1K 1/10W(2012)
R102	1-216-049-11	s	RESISTOR, CHIP 1K 1/10W(2012)
R103	1-216-049-11	s	RESISTOR, CHIP 1K 1/10W(2012)
R104	1-216-049-11	s	RESISTOR, CHIP 1K 1/10W(2012)
R105	1-216-049-11	s	RESISTOR, CHIP 1K 1/10W(2012)
R106	1-216-049-11	s	RESISTOR, CHIP 1K 1/10W(2012)
R107	1-216-073-00	s	RESISTOR,CHIP 10K 1/10W(2012)
R108	1-216-073-00	s	RESISTOR,CHIP 10K 1/10W(2012)
R109	1-216-073-00	s	RESISTOR,CHIP 10K 1/10W(2012)
R110	1-216-073-00	s	RESISTOR,CHIP 10K 1/10W(2012)
R114	1-216-073-00	s	RESISTOR,CHIP 10K 1/10W(2012)
R115	1-216-073-00	s	RESISTOR,CHIP 10K 1/10W(2012)
R117	1-216-073-00	s	RESISTOR,CHIP 10K 1/10W(2012)
R118	1-216-295-91	s	CONDUCTOR, CHIP (2012)
R119	1-216-635-11	s	RESISTOR,CHIP 220 1/10W (2012)
R120	1-216-073-00	s	RESISTOR,CHIP 10K 1/10W(2012)
R121	1-216-638-11	s	RESISTOR,CHIP 300 1/10W (2012)
R122	1-216-073-00	s	RESISTOR,CHIP 10K 1/10W(2012)
R123	1-216-053-00	s	RESISTOR CHIP 1.5K 1/10W(2012) (FOR PVM-14L5/D14L5A)
R123	1-216-057-00	s	RESISTOR CHIP 2.2K 1/10W(2012) (FOR PVM-20L5/D20L5A)
R124	1-216-001-00	s	RESISTOR, CHIP 10 1/10W(2012)
R125	1-216-001-00	s	RESISTOR, CHIP 10 1/10W(2012)
R126	1-216-001-00	s	RESISTOR, CHIP 10 1/10W(2012)
R127	1-216-001-00	s	RESISTOR, CHIP 10 1/10W(2012)
R128	1-216-057-00	s	RESISTOR CHIP 2.2K 1/10W(2012)
R129	1-216-065-91	s	RESISTOR,CHIP 4.7K 1/10W(2012) (FOR PVM-14L5/D14L5A)
R129	1-216-057-00	s	RESISTOR CHIP 2.2K 1/10W(2012) (FOR PVM-20L5/D20L5A)
R130	1-216-049-11	s	RESISTOR, CHIP 1K 1/10W(2012)
R131	1-216-053-00	s	RESISTOR CHIP 1.5K 1/10W(2012) (FOR PVM-14L5/D14L5A)
R131	1-216-057-00	s	RESISTOR CHIP 2.2K 1/10W(2012) (FOR PVM-20L5/D20L5A)
R132	1-216-061-00	s	RESISTOR CHIP 3.3K 1/10W(2012)
R133	1-216-065-91	s	RESISTOR,CHIP 4.7K 1/10W(2012) (FOR PVM-14L5/D14L5A)
R133	1-216-057-00	s	RESISTOR CHIP 2.2K 1/10W(2012) (FOR PVM-20L5/D20L5A)
R134	1-216-073-00	s	RESISTOR,CHIP 10K 1/10W(2012)
R135	1-216-061-00	s	RESISTOR CHIP 3.3K 1/10W(2012)
R136	1-216-061-00	s	RESISTOR CHIP 3.3K 1/10W(2012)
R137	1-216-073-00	s	RESISTOR,CHIP 10K 1/10W(2012)
R138	1-216-057-00	s	RESISTOR CHIP 2.2K 1/10W(2012)
R139	1-216-057-00	s	RESISTOR CHIP 2.2K 1/10W(2012)
R140	1-216-073-00	s	RESISTOR,CHIP 10K 1/10W(2012)
R141	1-216-073-00	s	RESISTOR,CHIP 10K 1/10W(2012)
R142	1-216-073-00	s	RESISTOR,CHIP 10K 1/10W(2012)
R143	1-216-073-00	s	RESISTOR,CHIP 10K 1/10W(2012)
R144	1-216-073-00	s	RESISTOR,CHIP 10K 1/10W(2012)
R145	1-216-295-91	s	CONDUCTOR, CHIP (2012)
R146	1-216-635-11	s	RESISTOR,CHIP 220 1/10W (2012)
R147	1-216-638-11	s	RESISTOR,CHIP 300 1/10W (2012)
R148	1-216-057-00	s	RESISTOR CHIP 2.2K 1/10W(2012)
R149	1-216-061-00	s	RESISTOR CHIP 3.3K 1/10W(2012)

(B BOARD)

Ref. No. or Q'ty	Part No.	SP	Description
R150	1-216-001-00	s	RESISTOR, CHIP 10 1/10W(2012)
R151	1-216-001-00	s	RESISTOR, CHIP 10 1/10W(2012)
R153	1-216-001-00	s	RESISTOR, CHIP 10 1/10W(2012)
R154	1-216-001-00	s	RESISTOR, CHIP 10 1/10W(2012)
R169	1-216-025-00	s	RESISTOR,CHIP 100 1/10W(2012)
R171	1-216-073-00	s	RESISTOR,CHIP 10K 1/10W(2012)
R176	1-216-049-11	s	RESISTOR, CHIP 1K 1/10W(2012)
R177	1-216-049-11	s	RESISTOR, CHIP 1K 1/10W(2012)
R178	1-216-049-11	s	RESISTOR, CHIP 1K 1/10W(2012)
R179	1-216-049-11	s	RESISTOR, CHIP 1K 1/10W(2012)
R180	1-216-049-11	s	RESISTOR, CHIP 1K 1/10W(2012)
R181	1-216-049-11	s	RESISTOR, CHIP 1K 1/10W(2012)
R182	1-216-073-00	s	RESISTOR,CHIP 10K 1/10W(2012)
R187	1-216-049-11	s	RESISTOR, CHIP 1K 1/10W(2012)
R201	1-216-017-91	s	RESISTOR, CHIP 47 1/10W(2012)
R203	1-216-025-00	s	RESISTOR,CHIP 100 1/10W(2012)
R204	1-216-663-11	s	RESISTOR,CHIP 3.3K 1/10W(2012)
R205	1-216-657-11	s	RESISTOR,CHIP 1.8K 1/10W(2012)
R207	1-216-651-11	s	RESISTOR,CHIP 1K 1/10W(2012)
R208	1-216-025-00	s	RESISTOR,CHIP 100 1/10W(2012)
R209	1-216-653-11	s	RESISTOR,CHIP 1.2K 1/10W(2012)
R210	1-216-025-00	s	RESISTOR,CHIP 100 1/10W(2012)
R211	1-216-049-11	s	RESISTOR, CHIP 1K 1/10W(2012)
R212	1-216-049-11	s	RESISTOR, CHIP 1K 1/10W(2012)
R213	1-216-029-00	s	RESISTOR,CHIP 150 1/10W(2012)
R214	1-216-037-00	s	RESISTOR,CHIP 330 1/10W(2012)
R215	1-218-776-11	s	RESISTOR CHIP 1M 1/10W (2012)
R216	1-216-675-11	s	RESISTOR,CHIP 10K 1/10W(2012)
R217	1-216-675-11	s	RESISTOR,CHIP 10K 1/10W(2012)
R218	1-218-764-11	s	RESISTOR,CHIP 330K 1/10W(2012)
R219	1-216-033-00	s	RESISTOR,CHIP 220 1/10W(2012)
R220	1-216-025-00	s	RESISTOR,CHIP 100 1/10W(2012)
R221	1-216-053-00	s	RESISTOR CHIP 1.5K 1/10W(2012)
R222	1-216-685-11	s	RESISTOR,CHIP 27K 1/10W(2012)
R223	1-216-679-11	s	RESISTOR,CHIP 15K 1/10W (2012)
R224	1-216-089-91	s	RESISTOR, CHIP 47K 1/10W(2012)
R225	1-216-681-11	s	RESISTOR,CHIP 18K 1/10W (2012)
R226	1-216-025-00	s	RESISTOR,CHIP 100 1/10W(2012)
R227	1-216-025-00	s	RESISTOR,CHIP 100 1/10W(2012)
R228	1-216-057-00	s	RESISTOR CHIP 2.2K 1/10W(2012)
R230	1-216-017-91	s	RESISTOR, CHIP 47 1/10W(2012)
R251	1-216-025-00	s	RESISTOR,CHIP 100 1/10W(2012)
R252	1-216-057-00	s	RESISTOR CHIP 2.2K 1/10W(2012)
R253	1-216-651-11	s	RESISTOR,CHIP 1K 1/10W(2012)
R254	1-216-025-00	s	RESISTOR,CHIP 100 1/10W(2012)
R255	1-216-057-00	s	RESISTOR CHIP 2.2K 1/10W(2012)
R256	1-216-651-11	s	RESISTOR,CHIP 1K 1/10W(2012)
R257	1-216-025-00	s	RESISTOR,CHIP 100 1/10W(2012)
R258	1-216-057-00	s	RESISTOR CHIP 2.2K 1/10W(2012)
R259	1-216-025-00	s	RESISTOR,CHIP 100 1/10W(2012)
R260	1-216-025-00	s	RESISTOR,CHIP 100 1/10W(2012)
R261	1-216-057-00	s	RESISTOR CHIP 2.2K 1/10W(2012)
R262	1-216-643-11	s	RESISTOR,CHIP 470 1/10W (2012)
R263	1-216-025-00	s	RESISTOR,CHIP 100 1/10W(2012)
R264	1-216-057-00	s	RESISTOR CHIP 2.2K 1/10W(2012)
R265	1-216-643-11	s	RESISTOR,CHIP 470 1/10W (2012)
R266	1-216-025-00	s	RESISTOR,CHIP 100 1/10W(2012)
R267	1-216-057-00	s	RESISTOR CHIP 2.2K 1/10W(2012)
R268	1-216-025-00	s	RESISTOR,CHIP 100 1/10W(2012)

(B BOARD)

Ref. No. or Q'ty	Part No.	SP	Description
R269	1-216-089-91	s	RESISTOR, CHIP 47K 1/10W(2012)
R270	1-216-085-00	s	RESISTOR CHIP 33K 1/10W(2012)
R271	1-216-025-00	s	RESISTOR,CHIP 100 1/10W(2012)
R272	1-216-057-00	s	RESISTOR CHIP 2.2K 1/10W(2012)
R273	1-216-651-11	s	RESISTOR,CHIP 1K 1/10W(2012)
R274	1-216-651-11	s	RESISTOR,CHIP 1K 1/10W(2012)
R275	1-216-025-00	s	RESISTOR,CHIP 100 1/10W(2012)
R276	1-216-057-00	s	RESISTOR CHIP 2.2K 1/10W(2012)
R277	1-216-025-00	s	RESISTOR,CHIP 100 1/10W(2012)
R278	1-216-061-00	s	RESISTOR CHIP 3.3K 1/10W(2012)
R279	1-216-075-00	s	RESISTOR CHIP 12K 1/10W(2012)
R280	1-216-051-00	s	RESISTOR,CHIP 1.2K 1/10W(2012)
R281	1-216-057-00	s	RESISTOR,CHIP 2.2K 1/10W(2012)
R282	1-216-065-91	s	RESISTOR,CHIP 4.7K 1/10W(2012)
R284	1-216-057-00	s	RESISTOR CHIP 2.2K 1/10W(2012)
R285	1-216-065-91	s	RESISTOR,CHIP 4.7K 1/10W(2012)
R286	1-216-025-00	s	RESISTOR,CHIP 100 1/10W(2012)
R287	1-216-073-00	s	RESISTOR,CHIP 10K 1/10W(2012)
R288	1-216-025-00	s	RESISTOR,CHIP 100 1/10W(2012)
R289	1-216-049-11	s	RESISTOR, CHIP 1K 1/10W(2012)
R291	1-216-025-00	s	RESISTOR,CHIP 100 1/10W(2012)
R292	1-216-057-00	s	RESISTOR CHIP 2.2K 1/10W(2012)
R293	1-216-643-11	s	RESISTOR,CHIP 470 1/10W(2012)
R294	1-216-643-11	s	RESISTOR,CHIP 470 1/10W (2012)
R295	1-216-025-00	s	RESISTOR,CHIP 100 1/10W(2012)
R296	1-216-057-00	s	RESISTOR CHIP 2.2K 1/10W(2012)
R301	1-216-025-00	s	RESISTOR,CHIP 100 1/10W(2012)
R302	1-216-025-00	s	RESISTOR,CHIP 100 1/10W(2012)
R304	1-216-663-11	s	RESISTOR,CHIP 3.3K 1/10W(2012)
R305	1-216-657-11	s	RESISTOR,CHIP 1.8K 1/10W(2012)
R307	1-216-651-11	s	RESISTOR,CHIP 1K 1/10W(2012)
R308	1-216-025-00	s	RESISTOR,CHIP 100 1/10W(2012)
R309	1-216-653-11	s	RESISTOR,CHIP 1.2K 1/10W(2012)
R310	1-216-025-00	s	RESISTOR,CHIP 100 1/10W(2012)
R311	1-216-049-11	s	RESISTOR, CHIP 1K 1/10W(2012)
R312	1-216-049-11	s	RESISTOR, CHIP 1K 1/10W(2012)
R313	1-216-025-00	s	RESISTOR,CHIP 100 1/10W(2012)
R314	1-216-033-00	s	RESISTOR,CHIP 220 1/10W(2012)
R315	1-218-776-11	s	RESISTOR CHIP 1M 1/10W (2012)
R316	1-216-675-11	s	RESISTOR,CHIP 10K 1/10W(2012)
R317	1-216-675-11	s	RESISTOR,CHIP 10K 1/10W(2012)
R318	1-218-770-11	s	RESISTOR,CHIP 560K 1/10W(2012)
R319	1-216-033-00	s	RESISTOR,CHIP 220 1/10W(2012)
R320	1-216-025-00	s	RESISTOR,CHIP 100 1/10W(2012)
R321	1-216-053-00	s	RESISTOR CHIP 1.5K 1/10W(2012)
R322	1-218-759-11	s	RESISTOR,CHIP 200K 1/10W(2012)
R323	1-216-687-11	s	RESISTOR CHIP 33K 1/10W (2012)
R324	1-216-691-11	s	RESISTOR,CHIP 47K 1/10W(2012)
R325	1-216-089-91	s	RESISTOR, CHIP 47K 1/10W(2012)
R327	1-216-025-00	s	RESISTOR,CHIP 100 1/10W(2012)
R328	1-216-057-00	s	RESISTOR CHIP 2.2K 1/10W(2012)
R330	1-216-025-00	s	RESISTOR,CHIP 100 1/10W(2012)
R336	1-216-025-00	s	RESISTOR,CHIP 100 1/10W(2012)
R337	1-216-695-11	s	RESISTOR,CHIP 68K 1/10W(2012)
R351	1-216-025-00	s	RESISTOR,CHIP 100 1/10W(2012)
R352	1-216-057-00	s	RESISTOR CHIP 2.2K 1/10W(2012)
R353	1-216-651-11	s	RESISTOR,CHIP 1K 1/10W(2012)
R354	1-216-651-11	s	RESISTOR,CHIP 1K 1/10W(2012)
R355	1-216-025-00	s	RESISTOR,CHIP 100 1/10W(2012)

(B BOARD)

Ref. No. or Q'ty	Part No.	SP	Description
R356	1-216-057-00	s	RESISTOR CHIP 2.2K 1/10W(2012)
R357	1-216-053-00	s	RESISTOR CHIP 1.5K 1/10W(2012)
R358	1-216-025-00	s	RESISTOR,CHIP 100 1/10W(2012)
R359	1-216-069-00	s	RESISTOR,CHIP 6.8K 1/10W(2012)
R360	1-216-051-00	s	RESISTOR,CHIP 1.2K 1/10W(2012)
R361	1-216-057-00	s	RESISTOR CHIP 2.2K 1/10W(2012)
R362	1-216-057-00	s	RESISTOR CHIP 2.2K 1/10W(2012)
R363	1-216-025-00	s	RESISTOR,CHIP 100 1/10W(2012)
R364	1-216-057-00	s	RESISTOR CHIP 2.2K 1/10W(2012)
R365	1-216-025-00	s	RESISTOR,CHIP 100 1/10W(2012)
R366	1-216-037-00	s	RESISTOR,CHIP 330 1/10W(2012)
R367	1-216-029-00	s	RESISTOR,CHIP 150 1/10W(2012)
R368	1-216-029-00	s	RESISTOR,CHIP 150 1/10W(2012)
R369	1-216-025-00	s	RESISTOR,CHIP 100 1/10W(2012)
R370	1-216-057-00	s	RESISTOR CHIP 2.2K 1/10W(2012)
R401	1-216-025-00	s	RESISTOR,CHIP 100 1/10W(2012)
R402	1-216-025-00	s	RESISTOR,CHIP 100 1/10W(2012)
R404	1-216-663-11	s	RESISTOR,CHIP 3.3K 1/10W(2012)
R405	1-216-657-11	s	RESISTOR,CHIP 1.8K 1/10W(2012)
R406	1-216-651-11	s	RESISTOR,CHIP 1K 1/10W(2012)
R408	1-216-025-00	s	RESISTOR,CHIP 100 1/10W(2012)
R409	1-216-653-11	s	RESISTOR,CHIP 1.2K 1/10W(2012)
R410	1-216-025-00	s	RESISTOR,CHIP 100 1/10W(2012)
R411	1-216-049-11	s	RESISTOR, CHIP 1K 1/10W(2012)
R412	1-216-049-11	s	RESISTOR, CHIP 1K 1/10W(2012)
R413	1-216-025-00	s	RESISTOR,CHIP 100 1/10W(2012)
R414	1-216-033-00	s	RESISTOR,CHIP 220 1/10W(2012)
R415	1-218-776-11	s	RESISTOR CHIP 1M 1/10W (2012)
R416	1-216-675-11	s	RESISTOR,CHIP 10K 1/10W(2012)
R417	1-216-675-11	s	RESISTOR,CHIP 10K 1/10W(2012)
R418	1-218-770-11	s	RESISTOR,CHIP 560K 1/10W(2012)
R419	1-216-033-00	s	RESISTOR,CHIP 220 1/10W(2012)
R420	1-216-025-00	s	RESISTOR,CHIP 100 1/10W(2012)
R421	1-216-053-00	s	RESISTOR CHIP 1.5K 1/10W(2012)
R422	1-218-759-11	s	RESISTOR,CHIP 200K 1/10W(2012)
R423	1-216-687-11	s	RESISTOR CHIP 33K 1/10W (2012)
R424	1-216-691-11	s	RESISTOR,CHIP 47K 1/10W(2012)
R425	1-216-089-91	s	RESISTOR, CHIP 47K 1/10W(2012)
R427	1-216-025-00	s	RESISTOR,CHIP 100 1/10W(2012)
R428	1-216-057-00	s	RESISTOR CHIP 2.2K 1/10W(2012)
R430	1-216-025-00	s	RESISTOR,CHIP 100 1/10W(2012)
R446	1-216-025-00	s	RESISTOR,CHIP 100 1/10W(2012)
R447	1-216-695-11	s	RESISTOR,CHIP 68K 1/10W(2012)
R451	1-216-025-00	s	RESISTOR,CHIP 100 1/10W(2012)
R452	1-216-057-00	s	RESISTOR CHIP 2.2K 1/10W(2012)
R453	1-216-651-11	s	RESISTOR,CHIP 1K 1/10W(2012)
R454	1-216-651-11	s	RESISTOR,CHIP 1K 1/10W(2012)
R455	1-216-025-00	s	RESISTOR,CHIP 100 1/10W(2012)
R456	1-216-057-00	s	RESISTOR CHIP 2.2K 1/10W(2012)
R457	1-216-061-00	s	RESISTOR CHIP 3.3K 1/10W(2012)
R458	1-216-025-00	s	RESISTOR,CHIP 100 1/10W(2012)
R459	1-216-069-00	s	RESISTOR,CHIP 6.8K 1/10W(2012)
R460	1-216-051-00	s	RESISTOR,CHIP 1.2K 1/10W(2012)
R461	1-216-057-00	s	RESISTOR CHIP 2.2K 1/10W(2012)
R462	1-216-057-00	s	RESISTOR CHIP 2.2K 1/10W(2012)
R463	1-216-025-00	s	RESISTOR,CHIP 100 1/10W(2012)
R464	1-216-057-00	s	RESISTOR CHIP 2.2K 1/10W(2012)
R465	1-216-025-00	s	RESISTOR,CHIP 100 1/10W(2012)
R466	1-216-037-00	s	RESISTOR,CHIP 330 1/10W(2012)

(B BOARD)

Ref. No. or Q'ty	Part No.	SP	Description
R467	1-216-631-11	s	RESISTOR,CHIP 150 1/10W (2012)
R468	1-216-631-11	s	RESISTOR,CHIP 150 1/10W (2012)
R469	1-216-025-00	s	RESISTOR,CHIP 100 1/10W(2012)
R470	1-216-057-00	s	RESISTOR CHIP 2.2K 1/10W(2012)
R1001	1-216-025-00	s	RESISTOR,CHIP 100 1/10W(2012)
R1002	1-216-053-00	s	RESISTOR CHIP 1.5K 1/10W(2012)
R1003	1-216-025-00	s	RESISTOR,CHIP 100 1/10W(2012)
R1004	1-216-049-11	s	RESISTOR, CHIP 1K 1/10W(2012)
R1005	1-216-079-00	s	RESISTOR CHIP 18K 1/10W(2012)
R1006	1-216-091-00	s	RESISTOR CHIP 56K 1/10W(2012)
R1007	1-216-013-00	s	RESISTOR,CHIP 33 1/10W(2012)
R1008	1-216-049-11	s	RESISTOR, CHIP 1K 1/10W(2012)
R1009	1-216-013-00	s	RESISTOR,CHIP 33 1/10W(2012)
R1010	1-216-049-11	s	RESISTOR, CHIP 1K 1/10W(2012)
R1011	1-216-013-00	s	RESISTOR,CHIP 33 1/10W(2012)
R1012	1-216-049-11	s	RESISTOR, CHIP 1K 1/10W(2012)
R1013	1-216-057-00	s	RESISTOR CHIP 2.2K 1/10W(2012)
R1014	1-216-057-00	s	RESISTOR CHIP 2.2K 1/10W(2012)
R1015	1-216-049-11	s	RESISTOR, CHIP 1K 1/10W(2012)
R1016	1-216-063-91	s	RESISTOR,CHIP 3.9K 1/10W(2125)
R1017	1-216-053-00	s	RESISTOR CHIP 1.5K 1/10W(2012)
R1018	1-216-065-91	s	RESISTOR,CHIP 4.7K 1/10W(2012)
R1019	1-216-687-11	s	RESISTOR CHIP 33K 1/10W (2012)
R1020	1-216-679-11	s	RESISTOR,CHIP 15K 1/10W (2012)
R1021	1-216-097-00	s	RESISTOR CHIP 100K 1/10W(2012)
R1022	1-216-663-11	s	RESISTOR,CHIP 3.3K 1/10W(2012)
R1023	1-216-659-11	s	RESISTOR,CHIP 2.2K 1/10W(2012)
R1024	1-216-651-11	s	RESISTOR,CHIP 1K 1/10W(2012)
R1025	1-216-655-11	s	RESISTOR,CHIP 1.5K 1/10W(2012)
R1026	1-216-083-00	s	RESISTOR CHIP 27K 1/10W(2012)
R1027	1-216-037-00	s	RESISTOR,CHIP 330 1/10W(2012)
R1028	1-216-041-00	s	RESISTOR, CHIP 470 1/10W(2012)
R1029	1-216-029-00	s	RESISTOR,CHIP 150 1/10W(2012)
R1030	1-216-111-00	s	RESISTOR,CHIP 390K 1/10(2012)
R1031	1-216-659-11	s	RESISTOR,CHIP 2.2K 1/10W(2012)
R1032	1-216-075-00	s	RESISTOR CHIP 12K 1/10W(2012)
R1033	1-216-681-11	s	RESISTOR,CHIP 18K 1/10W (2012)
R1034	1-216-676-11	s	RESISTOR,CHIP 11K 1/10W(2012)
R1035	1-216-669-11	s	RESISTOR,CHIP 5.6K 1/10W(2012)
R1036	1-216-683-11	s	RESISTOR,CHIP 22K 1/10W (2012)
R1037	1-216-059-00	s	RESISTOR,CHIP 2.7K 1/10W(2012)
R1038	1-216-693-11	s	RESISTOR CHIP 56K 1/10W (2012)
R1039	1-218-768-11	s	RESISTOR,CHIP 470K 1/10W(2012)
R1040	1-216-031-00	s	RESISTOR,CHIP 180 1/10W(2012)
R1041	1-216-661-11	s	RESISTOR,CHIP 2.7K 1/10W(2012)
R1042	1-216-097-00	s	RESISTOR CHIP 100K 1/10W(2012)
R1043	1-216-073-00	s	RESISTOR,CHIP 10K 1/10W(2012)
R1044	1-216-099-00	s	RESISTOR,CHIP 120K 1/10W(2012)
R1045	1-216-696-11	s	RESISTOR,CHIP 75K 1/10W(2012)
R1046	1-216-687-11	s	RESISTOR CHIP 33K 1/10W (2012)
R1047	1-216-659-11	s	RESISTOR,CHIP 2.2K 1/10W(2012)
R1048	1-216-659-11	s	RESISTOR,CHIP 2.2K 1/10W(2012)
R1049	1-216-069-00	s	RESISTOR,CHIP 6.8K 1/10W(2012)
R1050	1-216-640-11	s	RESISTOR,CHIP 360 1/10W
R1051	1-216-057-00	s	RESISTOR CHIP 2.2K 1/10W(2012)
R1052	1-216-037-00	s	RESISTOR,CHIP 330 1/10W(2012)
R1053	1-216-025-00	s	RESISTOR,CHIP 100 1/10W(2012)
R1054	1-216-659-11	s	RESISTOR,CHIP 2.2K 1/10W(2012)
R1055	1-218-754-11	s	RESISTOR METAL CHIP 120K(2012)

(B BOARD)

Ref. No. or Q'ty	Part No.	SP	Description
R1056	1-216-025-00	s	RESISTOR,CHIP 100 1/10W(2012)
R1057	1-216-025-00	s	RESISTOR,CHIP 100 1/10W(2012)
R1058	1-216-659-11	s	RESISTOR,CHIP 2.2K 1/10W(2012)
R1059	1-218-753-11	s	RESISTOR CHIP 110K 1/10W(2012)
R1060	1-216-659-11	s	RESISTOR,CHIP 2.2K 1/10W(2012)
R1061	1-216-059-00	s	RESISTOR,CHIP 2.7K 1/10W(2012)
R1062	1-218-754-11	s	RESISTOR METAL CHIP 120K(2012)
R1063	1-216-662-11	s	RESISTOR,CHIP 3K 1/10W (2012)
R1064	1-216-057-00	s	RESISTOR CHIP 2.2K 1/10W(2012)
R1065	1-216-025-00	s	RESISTOR,CHIP 100 1/10W(2012)
R1066	1-216-674-11	s	RESISTOR,CHIP 9.1K 1/10W(2012)
R1067	1-216-025-00	s	RESISTOR,CHIP 100 1/10W(2012)
R1068	1-216-674-11	s	RESISTOR,CHIP 9.1K 1/10W(2012)
R1069	1-216-097-00	s	RESISTOR CHIP 100K 1/10W(2012)
R1070	1-216-049-11	s	RESISTOR, CHIP 1K 1/10W(2012)
R1071	1-216-065-91	s	RESISTOR,CHIP 4.7K 1/10W(2012)
R1072	1-216-693-11	s	RESISTOR CHIP 56K 1/10W (2012)
R1073	1-216-049-11	s	RESISTOR, CHIP 1K 1/10W(2012)
R1074	1-216-689-11	s	RESISTOR,CHIP 39K 1/10W(2012)
R1076	1-216-025-00	s	RESISTOR,CHIP 100 1/10W(2012)
R1077	1-216-697-91	s	RESISTOR,CHIP 82K 1/10W
R1078	1-216-681-11	s	RESISTOR,CHIP 18K 1/10W (2012)
R1079	1-216-049-11	s	RESISTOR, CHIP 1K 1/10W(2012)
R1080	1-216-699-11	s	RESISTOR,CHIP 100K 1/10W(2012)
R1081	1-216-025-00	s	RESISTOR,CHIP 100 1/10W(2012)
R1082	1-216-681-11	s	RESISTOR,CHIP 18K 1/10W (2012)
R1083	1-216-049-11	s	RESISTOR, CHIP 1K 1/10W(2012)
R1084	1-216-675-11	s	RESISTOR,CHIP 10K 1/10W(2012)
R1085	1-216-653-11	s	RESISTOR,CHIP 1.2K 1/10W(2012)
R1086	1-216-651-11	s	RESISTOR,CHIP 1K 1/10W(2012)
R1087	1-216-025-00	s	RESISTOR,CHIP 100 1/10W(2012)
R1088	1-216-049-11	s	RESISTOR, CHIP 1K 1/10W(2012)
R1089	1-216-097-00	s	RESISTOR CHIP 100K 1/10W(2012)
R1090	1-216-073-00	s	RESISTOR,CHIP 10K 1/10W(2012)
R1091	1-216-097-00	s	RESISTOR CHIP 100K 1/10W(2012)
R1092	1-216-073-00	s	RESISTOR,CHIP 10K 1/10W(2012)
R1201	1-216-065-91	s	RESISTOR,CHIP 4.7K 1/10W(2012)
R1202	1-216-065-91	s	RESISTOR,CHIP 4.7K 1/10W(2012)
R1203	1-216-045-00	s	RESISTOR,CHIP 680 1/10W(2012)
R1204	1-216-045-00	s	RESISTOR,CHIP 680 1/10W(2012)
R1205	1-216-660-11	s	RESISTOR,CHIP 2.4K 1/10W(2012)
R1206	1-216-668-11	s	RESISTOR,CHIP 5.1K 1/10W(2012)
R1207	1-216-663-11	s	RESISTOR,CHIP 3.3K 1/10W(2012)
R1208	1-216-649-11	s	RESISTOR,CHIP 820 1/10W (2012)
R1209	1-216-651-11	s	RESISTOR,CHIP 1K 1/10W(2012)
R1210	1-216-061-00	s	RESISTOR CHIP 3.3K 1/10W(2012)
R1211	1-216-025-00	s	RESISTOR,CHIP 100 1/10W(2012)
R1212	1-216-049-11	s	RESISTOR, CHIP 1K 1/10W(2012)
R1213	1-216-647-11	s	RESISTOR,CHIP 680 1/10W (2012)
R1214	1-216-645-11	s	RESISTOR,CHIP 560 1/10W(2012)
R1215	1-216-647-11	s	RESISTOR,CHIP 680 1/10W (2012)
R1216	1-216-645-11	s	RESISTOR,CHIP 560 1/10W(2012)
R1217	1-216-025-00	s	RESISTOR,CHIP 100 1/10W(2012)
R1218	1-216-057-00	s	RESISTOR CHIP 2.2K 1/10W(2012)
R1219	1-216-013-00	s	RESISTOR,CHIP 33 1/10W(2012)
R1251	1-216-025-00	s	RESISTOR,CHIP 100 1/10W(2012)
R1252	1-216-663-11	s	RESISTOR,CHIP 3.3K 1/10W(2012)
R1253	1-216-657-11	s	RESISTOR,CHIP 1.8K 1/10W(2012)
R1254	1-216-651-11	s	RESISTOR,CHIP 1K 1/10W(2012)

(B BOARD)

Ref. No. or Q'ty	Part No.	SP	Description
R1256	1-216-025-00	s	RESISTOR,CHIP 100 1/10W(2012)
R1257	1-216-653-11	s	RESISTOR,CHIP 1.2K 1/10W(2012)
R1258	1-216-025-00	s	RESISTOR,CHIP 100 1/10W(2012)
R1259	1-216-049-11	s	RESISTOR, CHIP 1K 1/10W(2012)
R1260	1-216-073-00	s	RESISTOR,CHIP 10K 1/10W(2012)
R1261	1-216-073-00	s	RESISTOR,CHIP 10K 1/10W(2012)
R1262	1-218-776-11	s	RESISTOR CHIP 1M 1/10W (2012)
R1263	1-216-675-11	s	RESISTOR,CHIP 10K 1/10W(2012)
R1264	1-216-065-91	s	RESISTOR,CHIP 4.7K 1/10W(2012)
R1265	1-216-065-91	s	RESISTOR,CHIP 4.7K 1/10W(2012)
R1266	1-216-295-91	s	CONDUCTOR, CHIP (2012)
R1267	1-216-025-00	s	RESISTOR,CHIP 100 1/10W(2012)
R1268	1-216-057-00	s	RESISTOR,CHIP 2.2K 1/10W(2012)
R1272	1-216-675-11	s	RESISTOR,CHIP 10K 1/10W(2012)
R1273	1-216-699-11	s	RESISTOR,CHIP 100K 1/10W(2012)
R1274	1-216-689-11	s	RESISTOR,CHIP 39K 1/10W(2012)
R1278	1-216-295-91	s	CONDUCTOR, CHIP (2012)
R1301	1-216-671-11	s	RESISTOR,CHIP 6.8K 1/10W(2012)
R1302	1-216-661-11	s	RESISTOR,CHIP 2.7K 1/10W(2012)
R1303	1-216-671-11	s	RESISTOR,CHIP 6.8K 1/10W(2012)
R1304	1-216-667-11	s	RESISTOR,CHIP 4.7K 1/10W(2012)
R1305	1-216-025-00	s	RESISTOR,CHIP 100 1/10W(2012)
R1306	1-216-065-91	s	RESISTOR,CHIP 4.7K 1/10W(2012)
R1307	1-216-049-11	s	RESISTOR, CHIP 1K 1/10W(2012)
R1308	1-216-647-11	s	RESISTOR,CHIP 680 1/10W (2012)
R1309	1-216-645-11	s	RESISTOR,CHIP 560 1/10W(2012)
R1310	1-216-647-11	s	RESISTOR,CHIP 680 1/10W (2012)
R1311	1-216-645-11	s	RESISTOR,CHIP 560 1/10W(2012)
R1312	1-216-025-00	s	RESISTOR,CHIP 100 1/10W(2012)
R1313	1-216-057-00	s	RESISTOR CHIP 2.2K 1/10W(2012)
R1314	1-216-029-00	s	RESISTOR,CHIP 150 1/10W(2012)
R1351	1-216-025-00	s	RESISTOR,CHIP 100 1/10W(2012)
R1352	1-216-663-11	s	RESISTOR,CHIP 3.3K 1/10W(2012)
R1353	1-216-657-11	s	RESISTOR,CHIP 1.8K 1/10W(2012)
R1354	1-216-651-11	s	RESISTOR,CHIP 1K 1/10W(2012)
R1356	1-216-025-00	s	RESISTOR,CHIP 100 1/10W(2012)
R1357	1-216-653-11	s	RESISTOR,CHIP 1.2K 1/10W(2012)
R1358	1-216-025-00	s	RESISTOR,CHIP 100 1/10W(2012)
R1359	1-216-049-11	s	RESISTOR, CHIP 1K 1/10W(2012)
R1360	1-216-073-00	s	RESISTOR,CHIP 10K 1/10W(2012)
R1361	1-216-073-00	s	RESISTOR,CHIP 10K 1/10W(2012)
R1362	1-218-776-11	s	RESISTOR CHIP 1M 1/10W (2012)
R1363	1-216-675-11	s	RESISTOR,CHIP 10K 1/10W(2012)
R1364	1-216-065-91	s	RESISTOR,CHIP 4.7K 1/10W(2012)
R1365	1-216-065-91	s	RESISTOR,CHIP 4.7K 1/10W(2012)
R1366	1-216-295-91	s	CONDUCTOR, CHIP (2012)
R1367	1-216-025-00	s	RESISTOR,CHIP 100 1/10W(2012)
R1368	1-216-057-00	s	RESISTOR CHIP 2.2K 1/10W(2012)
R1372	1-216-675-11	s	RESISTOR,CHIP 10K 1/10W(2012)
R1373	1-216-699-11	s	RESISTOR,CHIP 100K 1/10W(2012)
R1374	1-216-689-11	s	RESISTOR,CHIP 39K 1/10W(2012)
R1378	1-216-295-91	s	CONDUCTOR, CHIP (2012)
R1401	1-216-667-11	s	RESISTOR,CHIP 4.7K 1/10W(2012)
R1402	1-216-671-11	s	RESISTOR,CHIP 6.8K 1/10W(2012)
R1403	1-216-671-11	s	RESISTOR,CHIP 6.8K 1/10W(2012)
R1404	1-216-667-11	s	RESISTOR,CHIP 4.7K 1/10W(2012)
R1405	1-216-065-91	s	RESISTOR,CHIP 4.7K 1/10W(2012)
R1406	1-216-025-00	s	RESISTOR,CHIP 100 1/10W(2012)
R1407	1-216-645-11	s	RESISTOR,CHIP 560 1/10W(2012)

(B BOARD)

Ref. No. or Q'ty	Part No.	SP	Description
R1408	1-216-025-00	s	RESISTOR,CHIP 100 1/10W(2012)
R1409	1-216-049-11	s	RESISTOR, CHIP 1K 1/10W(2012)
R1410	1-216-645-11	s	RESISTOR,CHIP 560 1/10W(2012)
R1411	1-216-647-11	s	RESISTOR,CHIP 680 1/10W (2012)
R1412	1-216-647-11	s	RESISTOR,CHIP 680 1/10W (2012)
R1413	1-216-645-11	s	RESISTOR,CHIP 560 1/10W(2012)
R1414	1-216-025-00	s	RESISTOR,CHIP 100 1/10W(2012)
R1415	1-216-057-00	s	RESISTOR CHIP 2.2K 1/10W(2012)
R1416	1-216-029-00	s	RESISTOR,CHIP 150 1/10W(2012)
R1451	1-216-025-00	s	RESISTOR,CHIP 100 1/10W(2012)
R1452	1-216-663-11	s	RESISTOR,CHIP 3.3K 1/10W(2012)
R1453	1-216-657-11	s	RESISTOR,CHIP 1.8K 1/10W(2012)
R1454	1-216-651-11	s	RESISTOR,CHIP 1K 1/10W(2012)
R1456	1-216-025-00	s	RESISTOR,CHIP 100 1/10W(2012)
R1457	1-216-653-11	s	RESISTOR,CHIP 1.2K 1/10W(2012)
R1458	1-216-025-00	s	RESISTOR,CHIP 100 1/10W(2012)
R1459	1-216-049-11	s	RESISTOR, CHIP 1K 1/10W(2012)
R1460	1-216-073-00	s	RESISTOR,CHIP 10K 1/10W(2012)
R1461	1-216-073-00	s	RESISTOR,CHIP 10K 1/10W(2012)
R1462	1-218-776-11	s	RESISTOR CHIP 1M 1/10W (2012)
R1463	1-216-675-11	s	RESISTOR,CHIP 10K 1/10W(2012)
R1464	1-216-065-91	s	RESISTOR,CHIP 4.7K 1/10W(2012)
R1465	1-216-065-91	s	RESISTOR,CHIP 4.7K 1/10W(2012)
R1466	1-216-295-91	s	CONDUCTOR, CHIP (2012)
R1467	1-216-025-00	s	RESISTOR,CHIP 100 1/10W(2012)
R1468	1-216-057-00	s	RESISTOR CHIP 2.2K 1/10W(2012)
R1469	1-216-049-11	s	RESISTOR, CHIP 1K 1/10W(2012)
R1470	1-216-049-11	s	RESISTOR, CHIP 1K 1/10W(2012)
R1471	1-216-049-11	s	RESISTOR, CHIP 1K 1/10W(2012)
R1472	1-216-675-11	s	RESISTOR,CHIP 10K 1/10W(2012)
R1473	1-216-699-11	s	RESISTOR,CHIP 100K 1/10W(2012)
R1474	1-216-689-11	s	RESISTOR,CHIP 39K 1/10W(2012)
R1478	1-216-295-91	s	CONDUCTOR, CHIP (2012)
R2001	1-216-025-00	s	RESISTOR,CHIP 100 1/10W(2012)
R2002	1-216-025-00	s	RESISTOR,CHIP 100 1/10W(2012)
R2003	1-216-025-00	s	RESISTOR,CHIP 100 1/10W(2012)
R2004	1-216-025-00	s	RESISTOR,CHIP 100 1/10W(2012)
R2005	1-216-049-11	s	RESISTOR, CHIP 1K 1/10W(2012)
R2006	1-216-049-11	s	RESISTOR, CHIP 1K 1/10W(2012)
R2007	1-216-025-00	s	RESISTOR,CHIP 100 1/10W(2012)
R2008	1-216-073-00	s	RESISTOR,CHIP 10K 1/10W(2012)
R2009	1-216-097-00	s	RESISTOR CHIP 100K 1/10W(2012)
R2010	1-216-097-00	s	RESISTOR CHIP 100K 1/10W(2012)
R2012	1-216-295-91	s	CONDUCTOR, CHIP (2012)
R2014	1-216-049-11	s	RESISTOR, CHIP 1K 1/10W(2012)
R2015	1-216-057-00	s	RESISTOR CHIP 2.2K 1/10W(2012)
R2016	1-216-675-11	s	RESISTOR,CHIP 10K 1/10W(2012)
R2017	1-216-085-00	s	RESISTOR CHIP 33K 1/10W(2012)
R2018	1-216-113-00	s	RESISTOR CHIP 470K 1/10W(2012)
R2019	1-216-085-00	s	RESISTOR CHIP 33K 1/10W(2012)
R2020	1-216-089-91	s	RESISTOR, CHIP 47K 1/10W(2012)
R2021	1-216-067-00	s	RESISTOR,CHIP 5.6K 1/10W(2012)
R2022	1-216-085-00	s	RESISTOR CHIP 33K 1/10W(2012)
R2023	1-216-071-00	s	RESISTOR,CHIP 8.2K 1/10W(2012) (FOR PVM-20L5/D20L5A)
R2024	1-216-113-00	s	RESISTOR CHIP 470K 1/10W(2012)
R2026	1-216-113-00	s	RESISTOR CHIP 470K 1/10W(2012)
R2027	1-216-085-00	s	RESISTOR CHIP 33K 1/10W(2012)
R2028	1-216-083-00	s	RESISTOR CHIP 27K 1/10W(2012)

(B BOARD)

Ref. No. or Q'ty	Part No.	SP	Description
R2031	1-216-121-00	s	RESISTOR CHIP 1M 1/10W(2012) (FOR PVM-20L5/D20L5A)
R2032	1-216-049-11	s	RESISTOR, CHIP 1K 1/10W(2012) (FOR PVM-14L5/D14L5A)
R2033	1-216-079-00	s	RESISTOR CHIP 18K 1/10W(2012) (FOR PVM-14L5/D14L5A)
R2033	1-216-121-00	s	RESISTOR CHIP 1M 1/10W(2012) (FOR PVM-20L5/D20L5A)
R2034	1-216-689-11	s	RESISTOR,CHIP 39K 1/10W(2012) (FOR PVM-14L5/D14L5A)
R2034	1-216-091-00	s	RESISTOR CHIP 56K 1/10W(2012) (FOR PVM-20L5/D20L5A)
R2035	1-216-073-00	s	RESISTOR,CHIP 10K 1/10W(2012) (FOR PVM-20L5/D20L5A)
R2036	1-218-768-11	s	RESISTOR,CHIP 470K 1/10W(2012)
R2037	1-216-689-11	s	RESISTOR,CHIP 39K 1/10W(2012)
R2038	1-216-073-00	s	RESISTOR,CHIP 10K 1/10W(2012)
R2039	1-216-295-91	s	CONDUCTOR, CHIP(2012)
R2040	1-216-295-91	s	CONDUCTOR, CHIP(2012)
R2051	1-216-049-11	s	RESISTOR, CHIP 1K 1/10W(2012)
R2052	1-216-049-11	s	RESISTOR, CHIP 1K 1/10W(2012)
R2053	1-216-699-11	s	RESISTOR,CHIP 100K 1/10W(2012)
R2054	1-216-677-11	s	RESISTOR,CHIP 12K 1/10W(2012)
R2055	1-216-077-00	s	RESISTOR,CHIP 15K 1/10W(2012)
R2056	1-216-695-11	s	RESISTOR,CHIP 68K 1/10W(2012)
R2057	1-216-689-11	s	RESISTOR,CHIP 39K 1/10W(2012)
R2058	1-216-675-11	s	RESISTOR,CHIP 10K 1/10W(2012)
R2059	1-216-683-11	s	RESISTOR,CHIP 22K 1/10W (2012)
R2060	1-216-699-11	s	RESISTOR,CHIP 100K 1/10W(2012)
R2061	1-216-651-11	s	RESISTOR,CHIP 1K 1/10W(2012)
R2062	1-216-679-11	s	RESISTOR,CHIP 15K 1/10W(2012)
R2063	1-216-655-11	s	RESISTOR,CHIP 1.5K 1/10W(2012)
R2064	1-216-049-11	s	RESISTOR, CHIP 1K 1/10W(2012)
R2065	1-216-025-00	s	RESISTOR,CHIP 100 1/10W(2012)
R2066	1-216-097-00	s	RESISTOR CHIP 100K 1/10W(2012)
R2074	1-216-693-11	s	RESISTOR CHIP 56K 1/10W (2012)
R2076	1-216-025-00	s	RESISTOR,CHIP 100 1/10W(2012)
R2077	1-216-699-11	s	RESISTOR,CHIP 100K 1/10W(2012)
R2088	1-216-675-11	s	RESISTOR,CHIP 10K 1/10W(2012)
R2089	1-216-049-11	s	RESISTOR, CHIP 1K 1/10W(2012)
R2201	1-216-025-00	s	RESISTOR,CHIP 100 1/10W(2012)
R2202	1-216-687-11	s	RESISTOR CHIP 33K 1/10W (2012)
R2203	1-216-085-00	s	RESISTOR CHIP 33K 1/10W(2012)
R2204	1-216-063-91	s	RESISTOR,CHIP 3.9K 1/10W(2125)
R2205	1-216-049-11	s	RESISTOR, CHIP 1K 1/10W(2012)
R2206	1-216-017-91	s	RESISTOR, CHIP 47 1/10W(2012)
R2207	1-216-041-00	s	RESISTOR, CHIP 470 1/10W(2012)
R2208	1-216-041-00	s	RESISTOR, CHIP 470 1/10W(2012)
R2209	1-216-049-11	s	RESISTOR, CHIP 1K 1/10W(2012)
R2210	1-216-065-91	s	RESISTOR,CHIP 4.7K 1/10W(2012)
R2211	1-216-073-00	s	RESISTOR,CHIP 10K 1/10W(2012)
R2212	1-216-095-00	s	RESISTOR, CHIP 82K 1/10W(2012)
R2213	1-216-041-00	s	RESISTOR, CHIP 470 1/10W(2012)
R2214	1-216-049-11	s	RESISTOR, CHIP 1K 1/10W(2012)
R2215	1-216-025-00	s	RESISTOR,CHIP 100 1/10W(2012)
R2226	1-216-049-11	s	RESISTOR, CHIP 1K 1/10W(2012)
R2227	1-216-615-11	s	RESISTOR,CHIP 33 1/10W(2012)
R2228	1-216-025-00	s	RESISTOR,CHIP 100 1/10W(2012)
R2301	1-216-025-00	s	RESISTOR,CHIP 100 1/10W(2012)
R2302	1-216-687-11	s	RESISTOR CHIP 33K 1/10W (2012)
R2303	1-216-085-00	s	RESISTOR CHIP 33K 1/10W(2012)

(B BOARD)

Ref. No. or Q'ty	Part No.	SP	Description
R2304	1-216-063-91	s	RESISTOR,CHIP 3.9K 1/10W(2125)
R2305	1-216-049-11	s	RESISTOR, CHIP 1K 1/10W(2012)
R2306	1-216-017-91	s	RESISTOR, CHIP 47 1/10W(2012)
R2307	1-216-041-00	s	RESISTOR, CHIP 470 1/10W(2012)
R2308	1-216-041-00	s	RESISTOR, CHIP 470 1/10W(2012)
R2309	1-216-049-11	s	RESISTOR, CHIP 1K 1/10W(2012)
R2310	1-216-065-91	s	RESISTOR,CHIP 4.7K 1/10W(2012)
R2311	1-216-073-00	s	RESISTOR,CHIP 10K 1/10W(2012)
R2312	1-216-095-00	s	RESISTOR, CHIP 82K 1/10W(2012)
R2313	1-216-041-00	s	RESISTOR, CHIP 470 1/10W(2012)
R2314	1-216-049-11	s	RESISTOR, CHIP 1K 1/10W(2012)
R2315	1-216-025-00	s	RESISTOR,CHIP 100 1/10W(2012)
R2326	1-216-049-11	s	RESISTOR, CHIP 1K 1/10W(2012)
R2327	1-216-615-11	s	RESISTOR,CHIP 33 1/10W(2012)
R2328	1-216-025-00	s	RESISTOR,CHIP 100 1/10W(2012)
R2401	1-216-025-00	s	RESISTOR,CHIP 100 1/10W(2012)
R2402	1-216-687-11	s	RESISTOR CHIP 33K 1/10W (2012)
R2403	1-216-085-00	s	RESISTOR CHIP 33K 1/10W(2012)
R2404	1-216-063-91	s	RESISTOR,CHIP 3.9K 1/10W(2125)
R2405	1-216-049-11	s	RESISTOR, CHIP 1K 1/10W(2012)
R2406	1-216-017-91	s	RESISTOR, CHIP 47 1/10W(2012)
R2407	1-216-041-00	s	RESISTOR, CHIP 470 1/10W(2012)
R2408	1-216-041-00	s	RESISTOR, CHIP 470 1/10W(2012)
R2409	1-216-049-11	s	RESISTOR, CHIP 1K 1/10W(2012)
R2410	1-216-065-91	s	RESISTOR,CHIP 4.7K 1/10W(2012)
R2411	1-216-073-00	s	RESISTOR,CHIP 10K 1/10W(2012)
R2412	1-216-095-00	s	RESISTOR, CHIP 82K 1/10W(2012)
R2413	1-216-041-00	s	RESISTOR, CHIP 470 1/10W(2012)
R2414	1-216-049-11	s	RESISTOR, CHIP 1K 1/10W(2012)
R2415	1-216-025-00	s	RESISTOR,CHIP 100 1/10W(2012)
R2426	1-216-049-11	s	RESISTOR, CHIP 1K 1/10W(2012)
R2427	1-216-615-11	s	RESISTOR,CHIP 33 1/10W(2012)
R2428	1-216-025-00	s	RESISTOR,CHIP 100 1/10W(2012)

B1 BOARD

Ref. No. or Q'ty	Part No.	SP	Description
lpc	A-1300-102-B	s	MOUNTED CIRCUIT BOARD, B1
C801	1-107-715-11	s	CAPACITOR,ELECT 22MF/50V (BP)
C802	1-126-933-11	s	CAPACITOR,ELECT 100MF/16V
C803	1-126-933-11	s	CAPACITOR,ELECT 100MF/16V
C804	1-163-021-91	s	CAPACITOR, CERAMIC 0.01MF/50V
C805	1-126-933-11	s	CAPACITOR,ELECT 100MF/16V
C806	1-163-021-91	s	CAPACITOR, CERAMIC 0.01MF/50V
C807	1-163-021-91	s	CAPACITOR, CERAMIC 0.01MF/50V
C808	1-163-275-11	s	CAPACITOR CERAMIC 1000PF/50V
C809	1-164-004-11	s	CAPACITOR,CERAMIC 0.1MF/25V
C810	1-164-004-11	s	CAPACITOR,CERAMIC 0.1MF/25V
C811	1-163-021-91	s	CAPACITOR, CERAMIC 0.01MF/50V
C812	1-163-021-91	s	CAPACITOR, CERAMIC 0.01MF/50V
C813	1-164-004-11	s	CAPACITOR,CERAMIC 0.1MF/25V
C814	1-163-021-91	s	CAPACITOR, CERAMIC 0.01MF/50V
C815	1-163-227-11	s	CAPACITOR CERAMIC 10PF/50V(CH)
C816	1-164-004-11	s	CAPACITOR,CERAMIC 0.1MF/25V
C817	1-164-004-11	s	CAPACITOR,CERAMIC 0.1MF/25V
C818	1-164-004-11	s	CAPACITOR,CERAMIC 0.1MF/25V
C819	1-126-947-11	s	CAPACITOR, ELECT 47MF/35V
C820	1-164-004-11	s	CAPACITOR,CERAMIC 0.1MF/25V
C821	1-164-004-11	s	CAPACITOR,CERAMIC 0.1MF/25V
C822	1-164-004-11	s	CAPACITOR,CERAMIC 0.1MF/25V
C823	1-163-021-91	s	CAPACITOR, CERAMIC 0.01MF/50V
C824	1-164-004-11	s	CAPACITOR,CERAMIC 0.1MF/25V
C825	1-164-004-11	s	CAPACITOR,CERAMIC 0.1MF/25V
C826	1-164-004-11	s	CAPACITOR,CERAMIC 0.1MF/25V
C827	1-164-004-11	s	CAPACITOR,CERAMIC 0.1MF/25V
C828	1-164-004-11	s	CAPACITOR,CERAMIC 0.1MF/25V
C829	1-163-227-11	s	CAPACITOR CERAMIC 10PF/50V(CH)
C830	1-126-933-11	s	CAPACITOR,ELECT 100MF/16V
C831	1-126-933-11	s	CAPACITOR,ELECT 100MF/16V
C832	1-163-031-11	s	CAPACITOR, CHIP CERAMIC 0.01MF
C835	1-126-933-11	s	CAPACITOR,ELECT 100MF/16V
C836	1-163-031-11	s	CAPACITOR, CHIP CERAMIC 0.01MF
C838	1-126-933-11	s	CAPACITOR,ELECT 100MF/16V
C839	1-126-933-11	s	CAPACITOR,ELECT 100MF/16V
C840	1-163-021-91	s	CAPACITOR, CERAMIC 0.01MF/50V
C841	1-126-933-11	s	CAPACITOR,ELECT 100MF/16V
C843	1-126-933-11	s	CAPACITOR,ELECT 100MF/16V
C844	1-163-021-91	s	CAPACITOR, CERAMIC 0.01MF/50V
C845	1-126-933-11	s	CAPACITOR,ELECT 100MF/16V
C846	1-163-021-91	s	CAPACITOR, CERAMIC 0.01MF/50V
C847	1-126-933-11	s	CAPACITOR,ELECT 100MF/16V
C848	1-163-021-91	s	CAPACITOR, CERAMIC 0.01MF/50V
C849	1-126-933-11	s	CAPACITOR,ELECT 100MF/16V
C850	1-163-021-91	s	CAPACITOR, CERAMIC 0.01MF/50V
C851	1-163-021-91	s	CAPACITOR, CERAMIC 0.01MF/50V
C852	1-126-933-11	s	CAPACITOR,ELECT 100MF/16V
C853	1-126-933-11	s	CAPACITOR,ELECT 100MF/16V
C854	1-163-021-91	s	CAPACITOR, CERAMIC 0.01MF/50V
C855	1-126-933-11	s	CAPACITOR,ELECT 100MF/16V
C2801	1-164-161-11	s	CAPACITOR, CERAMIC 2200PF/100V
C2802	1-126-960-11	s	CAPACITOR,ELECT 1MF/50V
C2803	1-163-251-11	s	CAPACITOR CERAMIC 100PF/50V
C2804	1-126-960-11	s	CAPACITOR,ELECT 1MF/50V
C2805	1-164-182-11	s	CAPACITOR, CERAMIC 3300PF/100V
C2806	1-163-253-11	s	CAPACITOR CERAMIC 120PF/50V

(B1 BOARD)

Ref. No. or Q'ty	Part No.	SP	Description
C2807	1-163-263-11	s	CAPACITOR CERAMIC 330PF/50V
C2808	1-107-715-11	s	CAPACITOR,ELECT 22MF/50V (BP)
C2809	1-126-933-11	s	CAPACITOR,ELECT 100MF/16V
C2810	1-126-933-11	s	CAPACITOR,ELECT 100MF/16V
C2811	1-163-031-11	s	CAPACITOR, CHIP CERAMIC 0.01MF
C2812	1-163-021-91	s	CAPACITOR, CERAMIC 0.01MF/50V
C2813	1-164-004-11	s	CAPACITOR,CERAMIC 0.1MF/25V
C2815	1-163-143-00	s	CAPACITOR,CHIP CERAMIC 1200PF
C2816	1-163-021-91	s	CAPACITOR, CERAMIC 0.01MF/50V
C2817	1-107-823-11	s	CAPACITOR,CERAMIC 0.47MF/16V
C2818	1-109-982-11	s	CAPACITOR,CHIP CERAMIC 1MF/10V
C2819	1-163-021-91	s	CAPACITOR, CERAMIC 0.01MF/50V
C2820	1-163-021-91	s	CAPACITOR, CERAMIC 0.01MF/50V
C2821	1-163-021-91	s	CAPACITOR, CERAMIC 0.01MF/50V
C2822	1-163-021-91	s	CAPACITOR, CERAMIC 0.01MF/50V
C2823	1-163-021-91	s	CAPACITOR, CERAMIC 0.01MF/50V
C2824	1-109-982-11	s	CAPACITOR,CHIP CERAMIC 1MF/10V
C2825	1-163-021-91	s	CAPACITOR, CERAMIC 0.01MF/50V
C2826	1-104-760-11	s	CAPACITOR CERAMIC 0.047MF/50V
C2827	1-126-934-11	s	CAPACITOR,ELECT 220MF/16V
C2828	1-109-982-11	s	CAPACITOR,CHIP CERAMIC 1MF/10V
C2829	1-109-982-11	s	CAPACITOR,CHIP CERAMIC 1MF/10V
C2830	1-163-021-91	s	CAPACITOR, CERAMIC 0.01MF/50V
C2831	1-163-021-91	s	CAPACITOR, CERAMIC 0.01MF/50V
C2832	1-163-251-11	s	CAPACITOR CERAMIC 100PF/50V
C2833	1-163-021-91	s	CAPACITOR, CERAMIC 0.01MF/50V
C2834	1-164-505-11	s	CAPACITOR,CHIP CERAMIC 2.2MF
C2835	1-163-275-11	s	CAPACITOR CERAMIC 1000PF/50V
C2836	1-163-021-91	s	CAPACITOR, CERAMIC 0.01MF/50V
C2837	1-163-227-11	s	CAPACITOR CERAMIC 10PF/50V(CH)
C2838	1-163-021-91	s	CAPACITOR, CERAMIC 0.01MF/50V
C2839	1-126-934-11	s	CAPACITOR,ELECT 220MF/16V
C2840	1-164-004-11	s	CAPACITOR,CERAMIC 0.1MF/25V
C2841	1-163-031-11	s	CAPACITOR, CHIP CERAMIC 0.01MF
C2842	1-126-933-11	s	CAPACITOR,ELECT 100MF/16V
C2843	1-163-021-91	s	CAPACITOR, CERAMIC 0.01MF/50V
C2844	1-126-933-11	s	CAPACITOR,ELECT 100MF/16V
C2845	1-163-021-91	s	CAPACITOR, CERAMIC 0.01MF/50V
C2847	1-164-161-11	s	CAPACITOR, CERAMIC 2200PF/100V
C2848	1-163-275-11	s	CAPACITOR CERAMIC 1000PF/50V
C2849	1-126-960-11	s	CAPACITOR,ELECT 1MF/50V
C2850	1-126-960-11	s	CAPACITOR,ELECT 1MF/50V
C2851	1-163-251-11	s	CAPACITOR CERAMIC 100PF/50V
C3801	1-163-021-91	s	CAPACITOR, CERAMIC 0.01MF/50V
C3802	1-163-021-91	s	CAPACITOR, CERAMIC 0.01MF/50V
C3803	1-163-237-11	s	CAPACITOR CERAMIC 27PF/50V
C3804	1-126-933-11	s	CAPACITOR,ELECT 100MF/16V
C3805	1-163-251-11	s	CAPACITOR CERAMIC 100PF/50V
C3806	1-163-255-91	s	CAPACITOR,CHIP CERAMIC 150PF
C3807	1-163-237-11	s	CAPACITOR CERAMIC 27PF/50V
C3808	1-163-241-11	s	CAPACITOR CERAMIC 39PF/50(2012)
C3809	1-163-245-11	s	CAPACITOR CERAMIC 56PF/50V
C3810	1-163-227-11	s	CAPACITOR CERAMIC 10PF/50V(CH)
C3811	1-126-933-11	s	CAPACITOR,ELECT 100MF/16V
C3812	1-126-933-11	s	CAPACITOR,ELECT 100MF/16V
C3813	1-163-251-11	s	CAPACITOR CERAMIC 100PF/50V
C3814	1-163-255-91	s	CAPACITOR,CHIP CERAMIC 150PF
C3815	1-163-237-11	s	CAPACITOR CERAMIC 27PF/50V
C3816	1-163-241-11	s	CAPACITOR CERAMIC 39PF/50(2012)

(B1 BOARD)

Ref. No. or Q'ty	Part No.	SP	Description
C3817	1-163-245-11	s	CAPACITOR CERAMIC 56PF/50V
C3818	1-163-227-11	s	CAPACITOR CERAMIC 10PF/50V(CH)
C3819	1-126-933-11	s	CAPACITOR,ELECT 100MF/16V
C3820	1-163-275-11	s	CAPACITOR CERAMIC 1000PF/50V
C3821	1-163-275-11	s	CAPACITOR CERAMIC 1000PF/50V
C3822	1-126-933-11	s	CAPACITOR,ELECT 100MF/16V
C3823	1-126-933-11	s	CAPACITOR,ELECT 100MF/16V
C3824	1-126-933-11	s	CAPACITOR,ELECT 100MF/16V
C3825	1-126-933-11	s	CAPACITOR,ELECT 100MF/16V
C3826	1-126-933-11	s	CAPACITOR,ELECT 100MF/16V
C3827	1-126-933-11	s	CAPACITOR,ELECT 100MF/16V
C3828	1-163-021-91	s	CAPACITOR, CERAMIC 0.01MF/50V
C3829	1-163-021-91	s	CAPACITOR, CERAMIC 0.01MF/50V
C3830	1-126-965-11	s	CAPACITOR,ELECT 22MF/50V
C3831	1-126-933-11	s	CAPACITOR,ELECT 100MF/16V
C3832	1-163-021-91	s	CAPACITOR, CERAMIC 0.01MF/50V
C3833	1-163-021-91	s	CAPACITOR, CERAMIC 0.01MF/50V
C3834	1-126-933-11	s	CAPACITOR,ELECT 100MF/16V
C3835	1-163-021-91	s	CAPACITOR, CERAMIC 0.01MF/50V
C3836	1-126-933-11	s	CAPACITOR,ELECT 100MF/16V
C3837	1-163-021-91	s	CAPACITOR, CERAMIC 0.01MF/50V
C4846	1-126-933-11	s	CAPACITOR,ELECT 100MF/16V
C4847	1-163-021-91	s	CAPACITOR, CERAMIC 0.01MF/50V
CN801	1-564-519-11	o	PLUG,CONNECTOR (4P)
CN3801	1-564-521-11	s	PLUG,CONNECTOR (6P)(L-TYPE)
CN3802	1-564-525-11	o	PLUG,CONNECTOR (10P)(L-TYPE)
D801	8-719-073-01	s	DIODE MA111-(K8).SO
D802	8-719-073-01	s	DIODE MA111-(K8).SO
D803	8-719-073-01	s	DIODE MA111-(K8).SO
D2801	8-719-073-01	s	DIODE MA111-(K8).SO
D2802	8-719-025-07	s	DIODE 1SV232-TPH3
D2803	8-719-045-70	s	DIODE 1SV230TPH3
D3801	8-719-025-07	s	DIODE 1SV232-TPH3
D3802	8-719-073-01	s	DIODE MA111-(K8).SO
D3803	8-719-073-01	s	DIODE MA111-(K8).SO
D3804	8-719-073-01	s	DIODE MA111-(K8).SO
D3805	8-719-073-01	s	DIODE MA111-(K8).SO
DL801	1-411-457-11	s	DELAY LINE
DL802	1-402-770-11	s	DELAY LINE
DL803	1-411-451-11	s	DELAY LINE
FL801	1-239-289-11	s	FILTER, LOW PASS
FL804	1-239-289-11	s	FILTER, LOW PASS
FL2801	1-239-289-11	s	FILTER, LOW PASS
IC801	8-752-372-78	s	IC CXD2024AQ
IC802	8-752-414-92	s	IC CXD2309AQ-T6
IC803	8-759-710-86	s	IC NJM2233BM
IC805	8-759-710-86	s	IC NJM2233BM
IC806	8-752-053-21	s	IC CXA1211M
IC2801	8-759-514-57	s	IC BA7046F
IC2802	8-759-038-15	s	IC MC74HC4538AF
IC2803	8-759-710-86	s	IC NJM2233BM
IC2804	8-759-631-08	s	IC M51279FP
IC2805	8-759-567-08	s	IC MB88141APF-ER
IC2806	8-759-514-57	s	IC BA7046F
IC3801	8-759-983-69	s	IC LM358PS
IC3802	8-759-565-20	s	IC TDA4665T/V5-118
IC3803	8-759-710-86	s	IC NJM2233BM

(B1 BOARD)

Ref. No. or Q'ty	Part No.	SP	Description
IC3804	8-759-710-86	s	IC NJM2233BM
IC3807	8-752-053-21	s	IC CXA1211M
IC4803	8-759-567-08	s	IC MB88141APF-ER
IC4804	8-759-672-79	s	IC M24C02-WMN6T(A)
L801	1-410-470-11	s	MICRO INDUCTOR 10UH
Q801	8-729-120-28	s	TRANSISTOR 2SC1623-L5L6
Q802	8-729-120-28	s	TRANSISTOR 2SC1623-L5L6
Q803	8-729-026-49	s	TRANSISTOR 2SA1037AK-T146-R
Q804	8-729-120-28	s	TRANSISTOR 2SC1623-L5L6
Q805	8-729-120-28	s	TRANSISTOR 2SC1623-L5L6
Q810	1-801-806-11	s	TRANSISTOR DTC144EKA
Q811	8-729-120-28	s	TRANSISTOR 2SC1623-L5L6
Q812	8-729-026-49	s	TRANSISTOR 2SA1037AK-T146-R
Q813	8-729-120-28	s	TRANSISTOR 2SC1623-L5L6
Q814	8-729-120-28	s	TRANSISTOR 2SC1623-L5L6
Q815	8-729-120-28	s	TRANSISTOR 2SC1623-L5L6
Q816	8-729-026-49	s	TRANSISTOR 2SA1037AK-T146-R
Q817	8-729-120-28	s	TRANSISTOR 2SC1623-L5L6
Q818	8-729-120-28	s	TRANSISTOR 2SC1623-L5L6
Q820	8-729-026-49	s	TRANSISTOR 2SA1037AK-T146-R
Q821	8-729-120-28	s	TRANSISTOR 2SC1623-L5L6
Q822	8-729-026-49	s	TRANSISTOR 2SA1037AK-T146-R
Q823	8-729-120-28	s	TRANSISTOR 2SC1623-L5L6
Q824	8-729-027-38	s	TRANSISTOR DTA144EKA-T146
Q2801	8-729-120-28	s	TRANSISTOR 2SC1623-L5L6
Q2802	8-729-120-28	s	TRANSISTOR 2SC1623-L5L6
Q2803	8-729-026-49	s	TRANSISTOR 2SA1037AK-T146-R
Q2804	8-729-120-28	s	TRANSISTOR 2SC1623-L5L6
Q2805	8-729-120-28	s	TRANSISTOR 2SC1623-L5L6
Q2806	8-729-120-28	s	TRANSISTOR 2SC1623-L5L6
Q2807	8-729-120-28	s	TRANSISTOR 2SC1623-L5L6
Q2808	8-729-120-28	s	TRANSISTOR 2SC1623-L5L6
Q2811	8-729-120-28	s	TRANSISTOR 2SC1623-L5L6
Q2812	8-729-026-49	s	TRANSISTOR 2SA1037AK-T146-R
Q2813	8-729-116-05	s	TRANSISTOR 2SK160-K5
Q2814	8-729-116-05	s	TRANSISTOR 2SK160-K5
Q2815	1-801-806-11	s	TRANSISTOR DTC144EKA
Q2816	8-729-120-28	s	TRANSISTOR 2SC1623-L5L6
Q2817	1-801-806-11	s	TRANSISTOR DTC144EKA
Q2818	8-729-120-28	s	TRANSISTOR 2SC1623-L5L6
Q2819	8-729-120-28	s	TRANSISTOR 2SC1623-L5L6
Q3801	8-729-026-49	s	TRANSISTOR 2SA1037AK-T146-R
Q3802	8-729-120-28	s	TRANSISTOR 2SC1623-L5L6
Q3803	8-729-026-49	s	TRANSISTOR 2SA1037AK-T146-R
Q3804	8-729-120-28	s	TRANSISTOR 2SC1623-L5L6
Q3805	8-729-120-28	s	TRANSISTOR 2SC1623-L5L6
Q3806	8-729-026-49	s	TRANSISTOR 2SA1037AK-T146-R
Q3807	8-729-120-28	s	TRANSISTOR 2SC1623-L5L6
Q3808	8-729-026-49	s	TRANSISTOR 2SA1037AK-T146-R
Q3809	8-729-120-28	s	TRANSISTOR 2SC1623-L5L6
Q3810	8-729-026-49	s	TRANSISTOR 2SA1037AK-T146-R
Q3811	8-729-120-28	s	TRANSISTOR 2SC1623-L5L6
Q3812	8-729-026-49	s	TRANSISTOR 2SA1037AK-T146-R
Q3813	8-729-026-49	s	TRANSISTOR 2SA1037AK-T146-R
Q3814	8-729-026-49	s	TRANSISTOR 2SA1037AK-T146-R
Q3815	8-729-120-28	s	TRANSISTOR 2SC1623-L5L6
Q3816	8-729-120-28	s	TRANSISTOR 2SC1623-L5L6
Q3817	8-729-027-38	s	TRANSISTOR DTA144EKA-T146

(B1 BOARD)

Ref. No. or Q'ty	Part No.	SP	Description
Q3818	8-729-027-38	s	TRANSISTOR DTA144EKA-T146
Q3819	1-801-806-11	s	TRANSISTOR DTC144EKA
R801	1-216-057-00	s	RESISTOR CHIP 2.2K 1/10W(2012)
R802	1-216-089-91	s	RESISTOR, CHIP 47K 1/10W(2012)
R803	1-216-065-91	s	RESISTOR,CHIP 4.7K 1/10W(2012)
R804	1-216-025-00	s	RESISTOR,CHIP 100 1/10W(2012)
R805	1-216-089-91	s	RESISTOR, CHIP 47K 1/10W(2012)
R806	1-216-651-11	s	RESISTOR,CHIP 1K 1/10W(2012)
R807	1-216-057-00	s	RESISTOR CHIP 2.2K 1/10W(2012)
R808	1-216-651-11	s	RESISTOR,CHIP 1K 1/10W(2012)
R809	1-216-053-00	s	RESISTOR CHIP 1.5K 1/10W(2012)
R810	1-216-073-00	s	RESISTOR,CHIP 10K 1/10W(2012)
R811	1-216-051-00	s	RESISTOR,CHIP 1.2K 1/10W(2012)
R812	1-216-061-00	s	RESISTOR CHIP 3.3K 1/10W(2012)
R813	1-216-057-00	s	RESISTOR CHIP 2.2K 1/10W(2012)
R814	1-216-025-00	s	RESISTOR,CHIP 100 1/10W(2012)
R816	1-216-057-00	s	RESISTOR CHIP 2.2K 1/10W(2012)
R825	1-216-295-91	s	CONDUCTOR, CHIP (2012)
R827	1-216-065-91	s	RESISTOR,CHIP 4.7K 1/10W(2012)
R828	1-216-061-00	s	RESISTOR CHIP 3.3K 1/10W(2012)
R829	1-216-061-00	s	RESISTOR CHIP 3.3K 1/10W(2012)
R830	1-216-021-00	s	RESISTOR,CHIP 68 1/10W(2012)
R831	1-216-079-00	s	RESISTOR CHIP 18K 1/10W(2012)
R832	1-216-067-00	s	RESISTOR,CHIP 5.6K 1/10W(2012)
R833	1-216-663-11	s	RESISTOR,CHIP 3.3K 1/10W(2012)
R834	1-216-057-00	s	RESISTOR CHIP 2.2K 1/10W(2012)
R835	1-216-651-11	s	RESISTOR,CHIP 1K 1/10W(2012)
R836	1-216-049-11	s	RESISTOR, CHIP 1K 1/10W(2012)
R837	1-216-031-00	s	RESISTOR,CHIP 180 1/10W(2012)
R838	1-216-651-11	s	RESISTOR,CHIP 1K 1/10W(2012)
R839	1-216-057-00	s	RESISTOR CHIP 2.2K 1/10W(2012)
R840	1-216-651-11	s	RESISTOR,CHIP 1K 1/10W(2012)
R841	1-216-065-91	s	RESISTOR,CHIP 4.7K 1/10W(2012)
R842	1-216-071-00	s	RESISTOR,CHIP 8.2K 1/10W(2012)
R843	1-216-051-00	s	RESISTOR,CHIP 1.2K 1/10W(2012)
R844	1-216-049-11	s	RESISTOR, CHIP 1K 1/10W(2012)
R845	1-216-057-00	s	RESISTOR CHIP 2.2K 1/10W(2012)
R846	1-216-057-00	s	RESISTOR CHIP 2.2K 1/10W(2012)
R847	1-216-025-00	s	RESISTOR,CHIP 100 1/10W(2012)
R848	1-216-065-91	s	RESISTOR,CHIP 4.7K 1/10W(2012)
R849	1-216-049-11	s	RESISTOR, CHIP 1K 1/10W(2012)
R851	1-216-295-91	s	CONDUCTOR, CHIP (2012)
R852	1-216-025-00	s	RESISTOR,CHIP 100 1/10W(2012)
R853	1-216-089-91	s	RESISTOR, CHIP 47K 1/10W(2012)
R854	1-216-057-00	s	RESISTOR CHIP 2.2K 1/10W(2012)
R855	1-216-651-11	s	RESISTOR,CHIP 1K 1/10W(2012)
R856	1-216-659-11	s	RESISTOR,CHIP 2.2K 1/10W(2012)
R857	1-216-025-00	s	RESISTOR,CHIP 100 1/10W(2012)
R858	1-216-651-11	s	RESISTOR,CHIP 1K 1/10W(2012)
R859	1-216-057-00	s	RESISTOR CHIP 2.2K 1/10W(2012)
R860	1-216-069-00	s	RESISTOR,CHIP 6.8K 1/10W(2012)
R861	1-216-051-00	s	RESISTOR,CHIP 1.2K 1/10W(2012)
R862	1-216-059-00	s	RESISTOR,CHIP 2.7K 1/10W(2012)
R863	1-216-057-00	s	RESISTOR CHIP 2.2K 1/10W(2012)
R864	1-216-025-00	s	RESISTOR,CHIP 100 1/10W(2012)
R865	1-216-025-00	s	RESISTOR,CHIP 100 1/10W(2012)
R866	1-216-025-00	s	RESISTOR,CHIP 100 1/10W(2012)
R867	1-216-089-91	s	RESISTOR, CHIP 47K 1/10W(2012)

(B1 BOARD)

Ref. No. or Q'ty	Part No.	SP	Description
R868	1-216-057-00	s	RESISTOR CHIP 2.2K 1/10W(2012)
R869	1-216-651-11	s	RESISTOR,CHIP 1K 1/10W(2012)
R870	1-216-651-11	s	RESISTOR,CHIP 1K 1/10W(2012)
R873	1-216-025-00	s	RESISTOR,CHIP 100 1/10W(2012)
R876	1-216-061-00	s	RESISTOR CHIP 3.3K 1/10W(2012)
R877	1-216-069-00	s	RESISTOR,CHIP 6.8K 1/10W(2012)
R878	1-216-051-00	s	RESISTOR,CHIP 1.2K 1/10W(2012)
R879	1-216-057-00	s	RESISTOR CHIP 2.2K 1/10W(2012)
R880	1-216-057-00	s	RESISTOR CHIP 2.2K 1/10W(2012)
R881	1-216-025-00	s	RESISTOR,CHIP 100 1/10W(2012)
R883	1-216-089-91	s	RESISTOR, CHIP 47K 1/10W(2012)
R884	1-216-085-00	s	RESISTOR CHIP 33K 1/10W(2012)
R885	1-216-025-00	s	RESISTOR,CHIP 100 1/10W(2012)
R886	1-216-073-00	s	RESISTOR,CHIP 10K 1/10W(2012)
R887	1-216-049-11	s	RESISTOR, CHIP 1K 1/10W(2012)
R888	1-216-025-00	s	RESISTOR,CHIP 100 1/10W(2012)
R889	1-216-097-00	s	RESISTOR CHIP 100K 1/10W(2012)
R890	1-216-065-91	s	RESISTOR,CHIP 4.7K 1/10W(2012)
R891	1-216-013-00	s	RESISTOR,CHIP 33 1/10W(2012)
R2801	1-216-025-00	s	RESISTOR,CHIP 100 1/10W(2012)
R2802	1-216-049-11	s	RESISTOR, CHIP 1K 1/10W(2012)
R2803	1-216-073-00	s	RESISTOR,CHIP 10K 1/10W(2012)
R2804	1-216-113-00	s	RESISTOR CHIP 470K 1/10W(2012)
R2805	1-218-755-11	s	RESISTOR,CHIP 130K1/10W(2012)
R2806	1-216-113-00	s	RESISTOR CHIP 470K 1/10W(2012)
R2807	1-216-037-00	s	RESISTOR,CHIP 330 1/10W(2012)
R2808	1-216-073-00	s	RESISTOR,CHIP 10K 1/10W(2012)
R2809	1-216-686-11	s	RESISTOR,CHIP 30K 1/10W
R2810	1-216-077-00	s	RESISTOR,CHIP 15K 1/10W(2012)
R2811	1-216-083-00	s	RESISTOR CHIP 27K 1/10W(2012)
R2812	1-216-097-00	s	RESISTOR CHIP 100K 1/10W(2012)
R2813	1-216-049-11	s	RESISTOR, CHIP 1K 1/10W(2012)
R2814	1-216-031-00	s	RESISTOR,CHIP 180 1/10W(2012)
R2815	1-216-651-11	s	RESISTOR,CHIP 1K 1/10W(2012)
R2816	1-216-057-00	s	RESISTOR CHIP 2.2K 1/10W(2012)
R2817	1-216-651-11	s	RESISTOR,CHIP 1K 1/10W(2012)
R2818	1-216-057-00	s	RESISTOR CHIP 2.2K 1/10W(2012)
R2819	1-216-069-00	s	RESISTOR,CHIP 6.8K 1/10W(2012)
R2820	1-216-051-00	s	RESISTOR,CHIP 1.2K 1/10W(2012)
R2821	1-216-057-00	s	RESISTOR CHIP 2.2K 1/10W(2012)
R2822	1-216-057-00	s	RESISTOR CHIP 2.2K 1/10W(2012)
R2823	1-216-025-00	s	RESISTOR,CHIP 100 1/10W(2012)
R2824	1-216-065-91	s	RESISTOR,CHIP 4.7K 1/10W(2012)
R2825	1-216-089-91	s	RESISTOR, CHIP 47K 1/10W(2012)
R2826	1-216-049-11	s	RESISTOR, CHIP 1K 1/10W(2012)
R2827	1-216-065-91	s	RESISTOR,CHIP 4.7K 1/10W(2012)
R2828	1-216-049-11	s	RESISTOR, CHIP 1K 1/10W(2012)
R2829	1-216-051-00	s	RESISTOR,CHIP 1.2K 1/10W(2012)
R2830	1-216-065-91	s	RESISTOR,CHIP 4.7K 1/10W(2012)
R2831	1-216-057-00	s	RESISTOR CHIP 2.2K 1/10W(2012)
R2832	1-216-057-00	s	RESISTOR CHIP 2.2K 1/10W(2012)
R2833	1-216-049-11	s	RESISTOR, CHIP 1K 1/10W(2012)
R2834	1-216-073-00	s	RESISTOR,CHIP 10K 1/10W(2012)
R2835	1-216-073-00	s	RESISTOR,CHIP 10K 1/10W(2012)
R2836	1-216-073-00	s	RESISTOR,CHIP 10K 1/10W(2012)
R2837	1-216-097-00	s	RESISTOR CHIP 100K 1/10W(2012)
R2838	1-216-097-00	s	RESISTOR CHIP 100K 1/10W(2012)
R2839	1-216-689-11	s	RESISTOR,CHIP 39K 1/10W(2012)
R2840	1-216-049-11	s	RESISTOR, CHIP 1K 1/10W(2012)

(B1 BOARD)

Ref. No. or Q'ty	Part No.	SP	Description
R2841	1-216-049-11	s	RESISTOR, CHIP 1K 1/10W(2012)
R2842	1-216-089-91	s	RESISTOR, CHIP 47K 1/10W(2012)
R2843	1-216-103-00	s	RESISTOR,CHIP 180K 1/10W(2012)
R2844	1-216-081-00	s	RESISTOR,CHIP 22K 1/10W(2012)
R2848	1-216-077-00	s	RESISTOR,CHIP 15K 1/10W(2012)
R2849	1-216-095-00	s	RESISTOR, CHIP 82K 1/10W(2012)
R2851	1-216-085-00	s	RESISTOR CHIP 33K 1/10W(2012)
R2852	1-216-073-00	s	RESISTOR,CHIP 10K 1/10W(2012)
R2853	1-216-073-00	s	RESISTOR,CHIP 10K 1/10W(2012)
R2854	1-216-049-11	s	RESISTOR, CHIP 1K 1/10W(2012)
R2855	1-216-049-11	s	RESISTOR, CHIP 1K 1/10W(2012)
R2856	1-216-089-91	s	RESISTOR, CHIP 47K 1/10W(2012)
R2857	1-216-065-91	s	RESISTOR,CHIP 4.7K 1/10W(2012)
R2858	1-216-121-00	s	RESISTOR CHIP 1M 1/10W(2012)
R2859	1-216-033-00	s	RESISTOR,CHIP 220 1/10W(2012)
R2860	1-216-097-00	s	RESISTOR CHIP 100K 1/10W(2012)
R2861	1-216-121-00	s	RESISTOR CHIP 1M 1/10W(2012)
R2862	1-216-113-00	s	RESISTOR CHIP 470K 1/10W(2012)
R2863	1-216-061-00	s	RESISTOR CHIP 3.3K 1/10W(2012)
R2864	1-216-091-00	s	RESISTOR CHIP 56K 1/10W(2012)
R2865	1-216-053-00	s	RESISTOR CHIP 1.5K 1/10W(2012)
R2866	1-216-121-00	s	RESISTOR CHIP 1M 1/10W(2012)
R2867	1-216-121-00	s	RESISTOR CHIP 1M 1/10W(2012)
R2868	1-216-049-11	s	RESISTOR, CHIP 1K 1/10W(2012)
R2869	1-216-097-00	s	RESISTOR CHIP 100K 1/10W(2012)
R2870	1-216-097-00	s	RESISTOR CHIP 100K 1/10W(2012)
R2871	1-216-037-00	s	RESISTOR,CHIP 330 1/10W(2012)
R2872	1-216-017-91	s	RESISTOR, CHIP 47 1/10W(2012)
R2873	1-216-121-00	s	RESISTOR CHIP 1M 1/10W(2012)
R2874	1-216-121-00	s	RESISTOR CHIP 1M 1/10W(2012)
R2875	1-216-073-00	s	RESISTOR,CHIP 10K 1/10W(2012)
R2876	1-216-049-11	s	RESISTOR, CHIP 1K 1/10W(2012)
R2877	1-216-073-00	s	RESISTOR,CHIP 10K 1/10W(2012)
R2878	1-216-049-11	s	RESISTOR, CHIP 1K 1/10W(2012)
R2879	1-216-073-00	s	RESISTOR,CHIP 10K 1/10W(2012)
R2880	1-216-025-00	s	RESISTOR,CHIP 100 1/10W(2012)
R2881	1-216-049-11	s	RESISTOR, CHIP 1K 1/10W(2012)
R2882	1-216-037-00	s	RESISTOR,CHIP 330 1/10W(2012)
R2883	1-216-113-00	s	RESISTOR CHIP 470K 1/10W(2012)
R2884	1-216-073-00	s	RESISTOR,CHIP 10K 1/10W(2012)
R2885	1-216-113-00	s	RESISTOR CHIP 470K 1/10W(2012)
R2886	1-218-755-11	s	RESISTOR,CHIP 130K1/10W(2012)
R2888	1-216-073-00	s	RESISTOR,CHIP 10K 1/10W(2012)
R2889	1-216-073-00	s	RESISTOR,CHIP 10K 1/10W(2012)
R3801	1-216-025-00	s	RESISTOR,CHIP 100 1/10W(2012)
R3802	1-216-049-11	s	RESISTOR, CHIP 1K 1/10W(2012)
R3803	1-216-033-00	s	RESISTOR,CHIP 220 1/10W(2012)
R3804	1-216-049-11	s	RESISTOR, CHIP 1K 1/10W(2012)
R3805	1-216-121-00	s	RESISTOR CHIP 1M 1/10W(2012)
R3806	1-216-121-00	s	RESISTOR CHIP 1M 1/10W(2012)
R3807	1-216-061-00	s	RESISTOR CHIP 3.3K 1/10W(2012)
R3808	1-216-025-00	s	RESISTOR, CHIP 100 1/10W(2012)
R3809	1-216-049-11	s	RESISTOR, CHIP 1K 1/10W(2012)
R3810	1-216-033-00	s	RESISTOR,CHIP 220 1/10W(2012)
R3811	1-216-049-11	s	RESISTOR, CHIP 1K 1/10W(2012)
R3812	1-216-061-00	s	RESISTOR CHIP 3.3K 1/10W(2012)
R3813	1-216-057-00	s	RESISTOR CHIP 2.2K 1/10W(2012)
R3814	1-216-069-00	s	RESISTOR,CHIP 6.8K 1/10W(2012)
R3815	1-216-065-91	s	RESISTOR,CHIP 4.7K 1/10W(2012)

(B1 BOARD)

Ref. No. or Q'ty	Part No.	SP	Description
R3816	1-216-651-11	s	RESISTOR,CHIP 1K 1/10W(2012)
R3817	1-216-651-11	s	RESISTOR,CHIP 1K 1/10W(2012)
R3818	1-216-651-11	s	RESISTOR,CHIP 1K 1/10W(2012)
R3819	1-216-065-91	s	RESISTOR,CHIP 4.7K 1/10W(2012)
R3820	1-216-025-00	s	RESISTOR,CHIP 100 1/10W(2012)
R3821	1-216-065-91	s	RESISTOR,CHIP 4.7K 1/10W(2012)
R3822	1-216-651-11	s	RESISTOR,CHIP 1K 1/10W(2012)
R3823	1-216-651-11	s	RESISTOR,CHIP 1K 1/10W(2012)
R3824	1-216-651-11	s	RESISTOR,CHIP 1K 1/10W(2012)
R3825	1-216-065-91	s	RESISTOR,CHIP 4.7K 1/10W(2012)
R3826	1-216-025-00	s	RESISTOR,CHIP 100 1/10W(2012)
R3827	1-216-643-11	s	RESISTOR,CHIP 470 1/10W (2012)
R3828	1-216-675-11	s	RESISTOR,CHIP 10K 1/10W(2012)
R3829	1-216-063-91	s	RESISTOR,CHIP 3.9K 1/10W(2125)
R3830	1-216-065-91	s	RESISTOR,CHIP 4.7K 1/10W(2012)
R3831	1-216-651-11	s	RESISTOR,CHIP 1K 1/10W(2012)
R3832	1-216-065-91	s	RESISTOR,CHIP 4.7K 1/10W(2012)
R3833	1-216-651-11	s	RESISTOR,CHIP 1K 1/10W(2012)
R3834	1-216-651-11	s	RESISTOR,CHIP 1K 1/10W(2012)
R3835	1-216-065-91	s	RESISTOR,CHIP 4.7K 1/10W(2012)
R3836	1-216-025-00	s	RESISTOR,CHIP 100 1/10W(2012)
R3837	1-216-065-91	s	RESISTOR,CHIP 4.7K 1/10W(2012)
R3838	1-216-651-11	s	RESISTOR,CHIP 1K 1/10W(2012)
R3839	1-216-651-11	s	RESISTOR,CHIP 1K 1/10W(2012)
R3840	1-216-651-11	s	RESISTOR,CHIP 1K 1/10W(2012)
R3841	1-216-065-91	s	RESISTOR,CHIP 4.7K 1/10W(2012)
R3842	1-216-025-00	s	RESISTOR,CHIP 100 1/10W(2012)
R3843	1-216-667-11	s	RESISTOR,CHIP 4.7K 1/10W(2012)
R3844	1-216-683-11	s	RESISTOR,CHIP 22K 1/10W (2012)
R3845	1-216-667-11	s	RESISTOR,CHIP 4.7K 1/10W(2012)
R3846	1-216-683-11	s	RESISTOR,CHIP 22K 1/10W (2012)
R3847	1-216-683-11	s	RESISTOR,CHIP 22K 1/10W (2012)
R3848	1-216-683-11	s	RESISTOR,CHIP 22K 1/10W (2012)
R3849	1-216-049-11	s	RESISTOR, CHIP 1K 1/10W(2012)
R3850	1-216-049-11	s	RESISTOR, CHIP 1K 1/10W(2012)
R3851	1-216-295-91	s	CONDUCTOR, CHIP (2012)
R3852	1-216-295-91	s	CONDUCTOR, CHIP (2012)
R3853	1-216-049-11	s	RESISTOR, CHIP 1K 1/10W(2012)
R3854	1-216-049-11	s	RESISTOR, CHIP 1K 1/10W(2012)
R3855	1-216-089-91	s	RESISTOR, CHIP 47K 1/10W(2012)
R3856	1-216-089-91	s	RESISTOR, CHIP 47K 1/10W(2012)
R3857	1-216-085-00	s	RESISTOR CHIP 33K 1/10W(2012)
R3858	1-216-085-00	s	RESISTOR CHIP 33K 1/10W(2012)
R3859	1-216-025-00	s	RESISTOR,CHIP 100 1/10W(2012)
R3860	1-216-073-00	s	RESISTOR,CHIP 10K 1/10W(2012)
R3861	1-216-025-00	s	RESISTOR,CHIP 100 1/10W(2012)
R3862	1-216-073-00	s	RESISTOR,CHIP 10K 1/10W(2012)
R3863	1-216-065-91	s	RESISTOR,CHIP 4.7K 1/10W(2012)
R3864	1-216-025-00	s	RESISTOR,CHIP 100 1/10W(2012)
R3865	1-216-097-00	s	RESISTOR CHIP 100K 1/10W(2012)
R3866	1-216-065-91	s	RESISTOR,CHIP 4.7K 1/10W(2012)
R3867	1-216-025-00	s	RESISTOR,CHIP 100 1/10W(2012)
R3868	1-216-097-00	s	RESISTOR CHIP 100K 1/10W(2012)
R3869	1-216-065-91	s	RESISTOR,CHIP 4.7K 1/10W(2012)
R3870	1-216-013-00	s	RESISTOR,CHIP 33 1/10W(2012)
R3871	1-216-065-91	s	RESISTOR,CHIP 4.7K 1/10W(2012)
R3872	1-216-013-00	s	RESISTOR,CHIP 33 1/10W(2012)
R3873	1-216-665-11	s	RESISTOR,CHIP 3.9K 1/10W(2012)
R4821	1-216-295-91	s	CONDUCTOR, CHIP (2012)

(B1 BOARD)

Ref. No. or Q'ty	Part No.	SP	Description
X2801	1-577-259-11	s	VIBRATOR,CRYSTAL(17.734MHz)
X2802	1-527-722-00	s	CRYSTAL OSCILLATOR(14.31818MHz)

C BOARD

Ref. No. or Q'ty	Part No.	SP	Description
1pc	8-330-030-09	s	MOUNTED CIRCUIT BOARD, C (FOR PVM-14L5/D14L5A)
1pc	8-330-030-44	s	MOUNTED CIRCUIT BOARD, C (FOR PVM-20L5/D20L5A)
C701	1-117-450-11	s	CAP, METALIZED PE FILM 0.47MF
C702	1-117-450-11	s	CAP, METALIZED PE FILM 0.47MF
C703	1-115-350-51	s	CAPACITOR, CERAMIC 4700PF F
C704	1-162-116-00	s	CAPACITOR, CERAMIC 680PF/2KVDC
C705	1-131-919-31	s	CAPACITOR METALIZED 0.022MF (FOR PVM-14L5/D14L5A)
C705	1-136-627-11	s	CAPACITOR, FILM 0.22MF/1KV (FOR PVM-20L5/D20L5A)
C706	1-163-031-11	s	CAPACITOR, CHIP CERAMIC 0.01MF
C707	1-107-962-11	s	CAPACITOR, ELECT 22MF/250V
C708	1-107-909-11	s	CAPACITOR, ELECT 47MF/50V
C709	1-104-653-11	s	CAPACITOR ELECT 220MF/16V(105)
C710	1-102-050-00	s	CAPACITOR, CERAMIC; 500V/0.01MF
C711	1-163-031-11	s	CAPACITOR, CHIP CERAMIC 0.01MF
C713	1-163-031-11	s	CAPACITOR, CHIP CERAMIC 0.01MF
C714	1-164-004-11	s	CAPACITOR, CERAMIC 0.1MF/25V
C715	1-163-237-11	s	CAPACITOR CERAMIC 27PF/50V
C716	1-102-050-00	s	CAPACITOR, CERAMIC; 500V/0.01MF
C718	1-163-251-11	s	CAPACITOR CERAMIC 100PF/50V
C719	1-107-962-11	s	CAPACITOR, ELECT 22MF/250V
C720	1-163-005-11	s	CAPACITOR CHIP CERAMIC 470PF
C721	1-163-031-11	s	CAPACITOR, CHIP CERAMIC 0.01MF
C722	1-107-909-11	s	CAPACITOR, ELECT 47MF/50V
C723	1-104-653-11	s	CAPACITOR ELECT 220MF/16V(105)
C724	1-163-031-11	s	CAPACITOR, CHIP CERAMIC 0.01MF
C726	1-163-031-11	s	CAPACITOR, CHIP CERAMIC 0.01MF
C727	1-164-004-11	s	CAPACITOR, CERAMIC 0.1MF/25V
C728	1-163-237-11	s	CAPACITOR CERAMIC 27PF/50V
C729	1-102-050-00	s	CAPACITOR, CERAMIC; 500V/0.01MF
C731	1-163-251-11	s	CAPACITOR CERAMIC 100PF/50V
C732	1-107-962-11	s	CAPACITOR, ELECT 22MF/250V
C733	1-163-005-11	s	CAPACITOR CHIP CERAMIC 470PF
C734	1-163-031-11	s	CAPACITOR, CHIP CERAMIC 0.01MF
C735	1-107-909-11	s	CAPACITOR, ELECT 47MF/50V
C736	1-104-653-11	s	CAPACITOR ELECT 220MF/16V(105)
C737	1-163-031-11	s	CAPACITOR, CHIP CERAMIC 0.01MF
C739	1-163-031-11	s	CAPACITOR, CHIP CERAMIC 0.01MF
C740	1-164-004-11	s	CAPACITOR, CERAMIC 0.1MF/25V
C741	1-163-237-11	s	CAPACITOR CERAMIC 27PF/50V
C742	1-102-050-00	s	CAPACITOR, CERAMIC; 500V/0.01MF
C744	1-163-251-11	s	CAPACITOR CERAMIC 100PF/50V
C745	1-107-962-11	s	CAPACITOR, ELECT 22MF/250V
C746	1-163-005-11	s	CAPACITOR CHIP CERAMIC 470PF
CN701	1-691-096-11	o	PIN, CONNECTOR (PC BOARD) 8P
CN702	1-564-525-11	o	PLUG, CONNECTOR (10P) (L-TYPE)
CN703	1-695-915-11	s	TAB (CONTACT)
CN704	1-695-915-11	s	TAB (CONTACT)
CN705	1-695-915-11	s	TAB (CONTACT)
D701	8-719-073-01	s	DIODE MA111-(K8).S0
D702	8-719-157-72	s	DIODE RD22M-B
D703	8-719-073-01	s	DIODE MA111-(K8).S0
D704	8-719-051-85	s	DIODE HSS83TD
D705	8-719-051-85	s	DIODE HSS83TD
D706	8-719-073-01	s	DIODE MA111-(K8).S0

(C BOARD)

Ref. No. or Q'ty	Part No.	SP	Description
D707	8-719-157-72	s	DIODE RD22M-B
D708	8-719-073-01	s	DIODE MA111-(K8).S0
D709	8-719-051-85	s	DIODE HSS83TD
D710	8-719-051-85	s	DIODE HSS83TD
D711	8-719-073-01	s	DIODE MA111-(K8).S0
D712	8-719-157-72	s	DIODE RD22M-B
D713	8-719-073-01	s	DIODE MA111-(K8).S0
D714	8-719-051-85	s	DIODE HSS83TD
D715	8-719-051-85	s	DIODE HSS83TD
IC701	8-759-680-01	s	IC TDA6120Q/N2/S1
IC702	8-759-680-01	s	IC TDA6120Q/N2/S1
IC703	8-759-680-01	s	IC TDA6120Q/N2/S1
J701	1-251-116-11	s	SOCKET, CRT
L701	1-412-532-11	s	INDUCTOR, MICRO 39UH
L702	1-410-667-31	s	MICRO INDUCTOR 22UF
L703	1-408-591-11	s	MICRO INDUCTOR 1UH
L704	1-408-591-11	s	MICRO INDUCTOR 1UH
L705	1-408-591-11	s	MICRO INDUCTOR 1UH
Q701	8-729-107-31	s	TRANSISTOR 2SC3545
Q702	8-729-033-31	s	TRANSISTOR 2SK520K44K45-T1B
Q703	8-729-105-08	s	TRANSISTOR 2SA1330-06
Q704	8-729-105-37	s	TRANSISTOR 2SC3360
Q705	8-729-107-31	s	TRANSISTOR 2SC3545
Q706	8-729-033-31	s	TRANSISTOR 2SK520K44K45-T1B
Q707	8-729-105-08	s	TRANSISTOR 2SA1330-06
Q708	8-729-105-37	s	TRANSISTOR 2SC3360
Q709	8-729-107-31	s	TRANSISTOR 2SC3545
Q710	8-729-033-31	s	TRANSISTOR 2SK520K44K45-T1B
Q711	8-729-105-08	s	TRANSISTOR 2SA1330-06
Q712	8-729-105-37	s	TRANSISTOR 2SC3360
Q713	8-729-033-31	s	TRANSISTOR 2SK520K44K45-T1B
Q714	8-729-033-31	s	TRANSISTOR 2SK520K44K45-T1B
Q715	8-729-033-31	s	TRANSISTOR 2SK520K44K45-T1B
R701	1-240-936-11	s	RESISTOR (SURGE RESISTANT) 68K
R703	1-219-759-11	s	RESISTOR (SURGE RESISTANT) 1M
R704	1-220-824-11	s	RESISTOR (SURGE RESISTANT) 270K
R705	1-249-400-11	s	RES, CARBON 39 1/4W (SMALL)
R707	1-219-743-11	s	RESISTOR 1001/2W (SURGE)
R708	1-219-743-11	s	RESISTOR 1001/2W (SURGE)
R710	1-219-743-11	s	RESISTOR 1001/2W (SURGE)
R712	1-216-017-91	s	RESISTOR, CHIP 47 1/10W(2012)
R713	1-216-025-00	s	RESISTOR, CHIP 100 1/10W(2012)
R714	1-216-049-11	s	RESISTOR, CHIP 1K 1/10W(2012)
R715	1-216-295-91	s	CONDUCTOR, CHIP (2012)
R716	8-719-069-56	s	DIODE UDZS-TE17-6.2B
R717	1-216-675-11	s	RESISTOR, CHIP 10K 1/10W(2012)
R718	8-719-033-52	s	DIODE RD5.1SB1-T1
R720	1-216-653-11	s	RESISTOR, CHIP 1.2K 1/10W(2012)
R721	1-216-639-11	s	RESISTOR, CHIP 330 1/10W (2012) (FOR PVM-14L5/D14L5A)
R721	1-216-643-11	s	RESISTOR, CHIP 470 1/10W (2012) (FOR PVM-20L5/D20L5A)
R722	1-216-295-91	s	CONDUCTOR, CHIP (2012)
R723	1-216-033-00	s	RESISTOR, CHIP 220 1/10W(2012)
R724	1-215-926-00	s	RESISTOR, METAL FILM 33K/3W
R726	1-216-689-11	s	RESISTOR, CHIP 39K 1/10W(2012)
R727	1-249-435-11	s	RESISTOR CARBON 33K 1/4W
R729	1-216-041-00	s	RESISTOR, CHIP 470 1/10W(2012)

(C BOARD)

Ref. No. or Q'ty	Part No.	SP	Description
R731	1-249-435-11	s	RESISTOR CARBON 33K 1/4W
R732	1-216-073-00	s	RESISTOR,CHIP 10K 1/10W(2012)
R733	1-216-065-91	s	RESISTOR,CHIP 4.7K 1/10W(2012)
R734	1-216-025-00	s	RESISTOR,CHIP 100 1/10W(2012)
R735	1-216-295-91	s	CONDUCTOR, CHIP (2012)
R736	1-216-049-11	s	RESISTOR, CHIP 1K 1/10W(2012)
R737	8-719-069-56	s	DIODE UDZS-TE17-6.2B
R738	1-216-675-11	s	RESISTOR,CHIP 10K 1/10W(2012)
R739	8-719-033-52	s	DIODE RD5.1SB1-T1
R741	1-216-637-11	s	RESISTOR,CHIP 270 1/10W (2012) (FOR PVM-14L5/D14L5A)
R741	1-216-641-11	s	RESISTOR,CHIP 390 1/10W(2012) (FOR PVM-20L5/D20L5A)
R742	1-216-653-11	s	RESISTOR,CHIP 1.2K 1/10W(2012)
R743	1-216-295-91	s	CONDUCTOR, CHIP (2012)
R744	1-215-926-00	s	RESISTOR,METAL FILM 33K/3W
R745	1-216-033-00	s	RESISTOR,CHIP 220 1/10W(2012)
R747	1-216-689-11	s	RESISTOR,CHIP 39K 1/10W(2012)
R748	1-249-435-11	s	RESISTOR CARBON 33K 1/4W
R750	1-216-041-00	s	RESISTOR, CHIP 470 1/10W(2012)
R752	1-249-435-11	s	RESISTOR CARBON 33K 1/4W
R753	1-216-073-00	s	RESISTOR,CHIP 10K 1/10W(2012)
R754	1-216-065-91	s	RESISTOR,CHIP 4.7K 1/10W(2012)
R755	1-216-121-00	s	RESISTOR CHIP 1M 1/10W(2012)
R756	1-216-025-00	s	RESISTOR,CHIP 100 1/10W(2012)
R757	1-216-295-91	s	CONDUCTOR, CHIP (2012)
R758	1-216-049-11	s	RESISTOR, CHIP 1K 1/10W(2012)
R759	8-719-069-56	s	DIODE UDZS-TE17-6.2B
R760	1-216-675-11	s	RESISTOR,CHIP 10K 1/10W(2012)
R761	8-719-033-52	s	DIODE RD5.1SB1-T1
R763	1-216-635-11	s	RESISTOR,CHIP 220 1/10W (2012) (FOR PVM-14L5/D14L5A)
R763	1-216-641-11	s	RESISTOR,CHIP 390 1/10W(2012) (FOR PVM-20L5/D20L5A)
R764	1-216-653-11	s	RESISTOR,CHIP 1.2K 1/10W(2012)
R765	1-216-295-91	s	CONDUCTOR, CHIP (2012)
R766	1-215-926-00	s	RESISTOR,METAL FILM 33K/3W
R767	1-216-033-00	s	RESISTOR,CHIP 220 1/10W(2012)
R769	1-216-689-11	s	RESISTOR,CHIP 39K 1/10W(2012)
R770	1-249-435-11	s	RESISTOR CARBON 33K 1/4W
R772	1-216-041-00	s	RESISTOR, CHIP 470 1/10W(2012)
R774	1-249-435-11	s	RESISTOR CARBON 33K 1/4W
R775	1-216-073-00	s	RESISTOR,CHIP 10K 1/10W(2012)
R776	1-216-065-91	s	RESISTOR,CHIP 4.7K 1/10W(2012)
R782	1-215-445-00	s	RESISTOR,METAL FILM 10K 1/4W
R783	1-215-445-00	s	RESISTOR,METAL FILM 10K 1/4W
R784	1-215-445-00	s	RESISTOR,METAL FILM 10K 1/4W
RV701	1-230-641-11	s	RESISTOR,ADJ,METAL GLAZE 2.2M
RV702	1-241-714-11	s	RESISTOR,ADJ,METAL FILM 110M
SG701	1-519-422-11	s	GAP,SPARK
SG702	1-519-422-11	s	GAP,SPARK
SG703	1-519-422-11	s	GAP,SPARK
SG704	1-519-422-11	s	GAP,SPARK
SG705	1-519-422-11	s	GAP,SPARK

D BOARD(FOR PVM-14L5/D14L5A)

Ref. No. or Q'ty	Part No.	SP	Description
lpc	A-1300-105-B	s	MOUNTED CIRCUIT BOARD, D
C2501	1-163-021-91	s	CAPACITOR, CERAMIC 0.01MF/50V
C2502	1-163-021-91	s	CAPACITOR, CERAMIC 0.01MF/50V
C2503	1-126-942-61	s	CAPACITOR,ELECT 1000MF/25V
C2504	1-126-942-61	s	CAPACITOR,ELECT 1000MF/25V
C2505	1-126-968-11	s	CAPACITOR,ELECT 100MF/50V
C2506	1-137-401-11	s	CAPACITOR,FILM 0.22MF/100V
C2507	1-163-037-11	s	CAPACITOR,CHIP CERAMIC 0.022MF
C2511	1-126-968-11	s	CAPACITOR,CERAMIC;50V/330PF
C2512	1-163-021-91	s	CAPACITOR, CERAMIC 0.01MF/50V
C2513	1-164-004-11	s	CAPACITOR,CERAMIC 0.1MF/25V
C2514	1-126-767-11	s	CAPACITOR,ELECT 1000MF/16V
C2515	1-126-767-11	s	CAPACITOR,ELECT 1000MF/16V
C2516	1-109-889-11	s	CAPACITOR ELECT 1MF/50V(BP)
C2517	1-164-346-11	s	CAPACITOR CHIP CERAMIC 1MF/16V
C2518	1-164-004-11	s	CAPACITOR,CERAMIC 0.1MF/25V
C2519	1-123-024-21	s	CAPACITOR,ELECT 33MF/160V(85C)
C2520	1-106-383-00	s	CAPACITOR FILM 0.047MF/200V
C2521	1-102-820-00	s	CAPACITOR, CERAMIC;50V/330PF
C2522	1-104-574-11	s	CAPACITOR,CERAMIC 4700PF/2KDC
C2523	1-163-021-91	s	CAPACITOR, CERAMIC 0.01MF/50V
C2524	1-107-444-11	s	CAPACITOR,CERAMIC 100PF/2KVDC
C2526	1-130-061-11	s	CAPACITOR,FILM 0.0015MF/630V
C2527	1-107-444-11	s	CAPACITOR,CERAMIC 100PF/2KVDC
C2528	1-137-194-11	s	CAPACITOR FILM 0.47MF/50V
C2529	1-136-155-00	s	CAPACITOR FILM 0.015MF/50V
C2530	1-126-935-11	s	CAPACITOR,ELECT 470MF/16V
C2531	1-106-375-12	s	CAPACITOR FILM 0.022MF/200V
C2533	1-117-959-11	s	CAPASITOR PP FILM 4700PF
C2535	1-107-649-11	s	CAP, ELECT 2.2MF/250V
C2536	1-109-844-11	s	CAPACITOR FILM 0.68MF/400V(S)
C2537	1-163-023-00	s	CAPACITOR,CHIP CERAMIC 0.015MF
C2538	1-115-521-11	s	CAPACITOR FILM 0.82MF/250V(S)
C2539	1-107-952-11	s	CAPACITOR,ELECT 22MF/200V
C2540	1-117-214-11	s	CAPACITOR CERAMIC 1000PF/2KVDC
C2541	1-117-677-11	s	CAP, PP FILM (S) 3.3MF/200V
C2543	1-117-677-11	s	CAP, PP FILM (S) 3.3MF/200V
C2544	1-104-665-11	s	CAPACITOR, ELECT 100MF/25V
C2545	1-163-021-91	s	CAPACITOR, CERAMIC 0.01MF/50V
C2546	1-126-933-11	s	CAPACITOR,ELECT 100MF/16V
C2547	1-163-021-91	s	CAPACITOR, CERAMIC 0.01MF/50V
C2548	1-126-933-11	s	CAPACITOR,ELECT 100MF/16V
C2549	1-163-021-91	s	CAPACITOR, CERAMIC 0.01MF/50V
C2550	1-135-348-11	s	CAPACITOR,SOLID ELECT 150MF
C2551	1-163-021-91	s	CAPACITOR, CERAMIC 0.01MF/50V
C2553	1-117-959-11	s	CAPASITOR PP FILM 4700PF
CN2501	1-794-956-11	o	PIN, CONNECTOR (PC BOARD) 7P
CN2502	1-564-509-11	o	PLUG,CONNECTOR (6P)
CN2503	1-764-334-11	s	PIN,CONNECTOR(11P)(V-TYPE)
CN2504	1-564-516-11	o	PLUG,CONNECTOR (13P)
CN2506	1-580-798-11	o	CONNECTOR PIN (DY) 6P
CN2507	1-785-518-11	o	CONNECTOR, BOARD TO BOARD (PLU
CN2508	1-785-518-11	o	CONNECTOR, BOARD TO BOARD (PLU
CN2509	1-774-249-11	o	CONNECTOR, BOARD TO BOARD
CN2510	1-695-915-11	s	TAB (CONTACT)
CN2511	1-695-915-11	s	TAB (CONTACT)
CN2512	1-691-291-11	o	PIN,CONNECTOR(PC BOARD)5P

(D BOARD(FOR PVM-14L5/D14L5A))

Ref. No. or Q'ty	Part No.	SP Description
D2501	8-719-159-12	s DIODE RD5.1SB2-T2
D2502	8-719-908-03	s DIODE GP08D
D2506	8-719-028-45	s DIODE D2L20U
D2507	8-719-028-45	s DIODE D2L20U
D2508	8-719-977-95	s DIODE DTZ2.4B-TT11 (5MA)
D2509	8-719-929-15	s DIODE HZS9.1NB2
D2510	8-719-028-45	s DIODE D2L20U
D2511	8-719-977-95	s DIODE DTZ2.4B-TT11 (5MA)
D2512	8-719-977-95	s DIODE DTZ2.4B-TT11 (5MA)
D2513	8-719-911-19	s DIODE 1SS119-25
D2514	8-719-300-76	s DIODE RH1A (RECTI)
D2515	8-719-075-44	s DIODE DD54SCLS-YCC-11
D2516	8-719-073-01	s DIODE MA111-(K8).S0
D2517	8-719-911-19	s DIODE 1SS119-25
D2518	8-719-951-30	s DIODE ERA91-02
FB2501	1-410-397-21	s FERRITE BEAD INDUCTOR
FB2502	1-410-397-21	s FERRITE BEAD INDUCTOR
FB2504	1-410-397-21	s FERRITE BEAD INDUCTOR
FB2505	1-410-397-21	s FERRITE BEAD INDUCTOR
IC2501	8-759-980-58	s IC TDA8172
IC2502	8-759-100-96	s IC UPC4558G2
IC2503	8-759-803-42	s IC LA6500-FA
IC2504	8-759-209-90	s IC TC4S71F
IC2505	8-759-450-47	s IC BA05T
L2501	1-459-111-00	s COIL,DRUM CORE (CDI)
L2502	1-412-549-31	s INDUCTOR,MICRO 1.0MH
L2505	1-408-622-31	s MICRO INDUCTOR 390UH
Q2503	8-729-800-32	s TRANSISTOR 2SC2362K
Q2504	8-729-015-28	s TRANSISTOR IRFI9630GS
Q2505	8-729-119-76	s TRANSISTOR 2SA1175-HFE
Q2506	8-729-423-33	s TRANSISTOR 2SC3311A-QRSTA
Q2507	8-729-820-73	s TRANSISTOR 2SC3746
Q2508	8-729-056-69	s TRANSISTOR 2SC5778-CA
Q2509	8-729-122-13	s TRANSISTOR 2SA1221-K (1.0W)
Q2510	1-801-806-11	s TRANSISTOR DTC144EKA
Q2511	8-729-119-76	s TRANSISTOR 2SA1175-HFE
Q2512	8-729-034-60	s TRANSISTOR 2SK2350
Q2513	1-801-806-11	s TRANSISTOR DTC144EKA
Q2514	8-729-034-60	s TRANSISTOR 2SK2350
Q2515	1-801-806-11	s TRANSISTOR DTC144EKA
Q2516	1-801-806-11	s TRANSISTOR DTC144EKA
Q2517	8-729-044-21	s TRANSISTOR 2SK2655-01R-F165
R2501	1-249-383-11	s RES,CARBON 1.5 1/4W
R2502	1-249-383-11	s RES,CARBON 1.5 1/4W
R2503	1-216-674-11	s RESISTOR,CHIP 9.1K 1/10W(2012)
R2504	1-216-669-11	s RESISTOR,CHIP 5.6K 1/10W(2012)
R2506	1-216-057-00	s RESISTOR CHIP 2.2K 1/10W(2012)
R2507	1-249-383-11	s RES,CARBON 1.5 1/4W
R2508	1-216-373-11	s RESISTOR,METAL FILM 2.2/2W
R2509	1-216-453-00	s RESISTOR,METAL FILM 270/2W
R2510	1-216-373-11	s RESISTOR,METAL FILM 2.2/2W
R2511	1-216-668-11	s RESISTOR,CHIP 5.1K 1/10W(2012)
R2512	1-216-097-00	s RESISTOR CHIP 100K 1/10W(2012)
R2519	1-216-675-11	s RESISTOR,CHIP 10K 1/10W(2012)
R2520	1-216-073-00	s RESISTOR,CHIP 10K 1/10W(2012)
R2521	1-249-377-11	s RES,CARBON 0.47 1/4W
R2522	1-249-377-11	s RES,CARBON 0.47 1/4W
R2523	1-216-081-00	s RESISTOR,CHIP 22K 1/10W(2012)

(D BOARD(FOR PVM-14L5/D14L5A))

Ref. No. or Q'ty	Part No.	SP Description
R2524	1-216-053-00	s RESISTOR CHIP 1.5K 1/10W(2012)
R2525	1-216-065-91	s RESISTOR,CHIP 4.7K 1/10W(2012)
R2526	1-216-349-00	s RESISTOR,METAL FILM 1/1W
R2527	1-216-081-00	s RESISTOR,CHIP 22K 1/10W(2012)
R2528	1-216-063-91	s RESISTOR,CHIP 3.9K 1/10W(2125)
R2529	1-249-393-11	s RES,CARBON 10 1/4W
R2530	1-216-057-00	s RESISTOR CHIP 2.2K 1/10W(2012)
R2531	1-260-308-11	s RESISTOR CARBON 22 1/2W(SMALL)
R2532	1-249-377-11	s RES,CARBON 0.47 1/4W
R2533	1-216-059-00	s RESISTOR,CHIP 2.7K 1/10W(2012)
R2534	1-216-037-00	s RESISTOR,CHIP 330 1/10W(2012)
R2535	1-216-025-00	s RESISTOR,CHIP 100 1/10W(2012)
R2536	1-216-049-11	s RESISTOR,CHIP 1K 1/10W(2012)
R2537	1-216-073-00	s RESISTOR,CHIP 10K 1/10W(2012)
R2538	1-216-025-00	s RESISTOR,CHIP 100 1/10W(2012)
R2539	1-216-017-91	s RESISTOR,CHIP 47 1/10W(2012)
R2540	1-216-057-00	s RESISTOR CHIP 2.2K 1/10W(2012)
R2541	1-215-880-00	s RESISTOR,METAL FILM 10/2W
R2542	1-249-383-11	s RES,CARBON 1.5 1/4W
R2543	1-215-905-11	s RESISTOR,METAL FILM 10/3W
R2544	1-216-073-00	s RESISTOR,CHIP 10K 1/10W(2012)
R2545	1-216-073-00	s RESISTOR,CHIP 10K 1/10W(2012)
R2546	1-215-880-00	s RESISTOR,METAL FILM 10/2W
R2547	1-216-073-00	s RESISTOR,CHIP 10K 1/10W(2012)
R2548	1-215-862-11	s RESISTOR,METAL 68/1W
R2549	1-216-097-00	s RESISTOR CHIP 100K 1/10W(2012)
R2550	1-216-073-00	s RESISTOR,CHIP 10K 1/10W(2012)
R2551	1-216-115-00	s RESISTOR,CHIP 560K 1/10W(2012)
R2552	1-216-447-00	s RESISTOR,METAL FILM 27/2W
R2553	1-216-446-00	s RESISTOR,METAL FILM 18/2W
R2554	1-216-073-00	s RESISTOR,CHIP 10K 1/10W(2012)
R2555	1-216-115-00	s RESISTOR,CHIP 560K 1/10W(2012)
R2556	1-215-912-11	s RESISTOR,METAL FILM 150/3W
R2557	1-216-674-11	s RESISTOR,CHIP 9.1K 1/10W(2012)
R2558	1-215-907-11	s RESISTOR,METAL FILM 22/3W
R2560	1-216-073-00	s RESISTOR,CHIP 10K 1/10W(2012)
R2561	1-216-081-00	s RESISTOR,CHIP 22K 1/10W(2012)
RY2501	1-755-167-11	s RELAY, AC POWER
T2501	1-437-207-11	s TRANSFORMER,FERRITE (HOT)
T2502	1-423-853-11	s TRANSFORMER, FERRITE (HDT)
T2503	1-431-413-11	s TRANSFORMER, FERRITE (HST)
TH2501	1-807-796-11	s THERMISTOR

D BOARD(FOR PVM-20L5/D20L5A)

Ref. No. or Q'ty	Part No.	SP	Description
1pc	8-330-030-26	s	MOUNTED CIRCUIT BOARD, D
C2501	1-163-021-91	s	CAPACITOR, CERAMIC 0.01MF/50V
C2502	1-163-021-91	s	CAPACITOR, CERAMIC 0.01MF/50V
C2503	1-126-942-61	s	CAPACITOR,ELECT 1000MF/25V
C2504	1-126-942-61	s	CAPACITOR,ELECT 1000MF/25V
C2505	1-126-968-11	s	CAPACITOR,ELECT 100MF/50V
C2506	1-137-401-11	s	CAPACITOR,FILM 0.22MF/100V
C2507	1-163-037-11	s	CAPACITOR,CHIP CERAMIC 0.022MF
C2511	1-126-968-11	s	CAPACITOR,ELECT 100MF/50V
C2512	1-163-021-91	s	CAPACITOR, CERAMIC 0.01MF/50V
C2513	1-164-004-11	s	CAPACITOR,CERAMIC 0.1MF/25V
C2514	1-126-767-11	s	CAPACITOR,ELECT 1000MF/16V
C2515	1-126-767-11	s	CAPACITOR,ELECT 1000MF/16V
C2516	1-109-889-11	s	CAPACITOR ELECT 1MF/50V(BP)
C2517	1-164-346-11	s	CAPACITOR CHIP CERAMIC 1MF/16V
C2518	1-164-004-11	s	CAPACITOR,CERAMIC 0.1MF/25V
C2519	1-123-024-21	s	CAPACITOR,ELECT 33MF/160V(85C)
C2520	1-106-383-00	s	CAPACITOR FILM 0.047MF/200V
C2521	1-102-820-00	s	CAPACITOR,CERAMIC;50V/330PF
C2522	1-104-574-11	s	CAPACITOR,CERAMIC 4700PF/2KDC
C2523	1-163-021-91	s	CAPACITOR, CERAMIC 0.01MF/50V
C2524	1-107-444-11	s	CAPACITOR,CERAMIC 100PF/2KVDC
C2526	1-130-061-11	s	CAPACITOR,FILM 0.0015MF/630V
C2527	1-107-444-11	s	CAPACITOR,CERAMIC 100PF/2KVDC
C2528	1-137-194-11	s	CAPACITOR FILM 0.47MF/50V
C2529	1-136-155-00	s	CAPACITOR FILM 0.015MF/50V
C2530	1-126-935-11	s	CAPACITOR,ELECT 470MF/16V
C2531	1-106-351-00	s	CAPACITOR FILM 0.0022MF/200V
C2533	1-117-959-11	s	CAPASITOR PP FILM 4700PF
C2535	1-107-649-11	s	CAP, ELECT 2.2MF/250V
C2536	1-117-665-11	s	CAPACITOR FILM 0.33MF/200V(S)
C2537	1-163-023-00	s	CAPACITOR,CHIP CERAMIC 0.015MF
C2538	1-117-667-81	s	CAP, PP FILM (S) 0.47MF/250V
C2539	1-107-952-11	s	CAPACITOR,ELECT 22MF/200V
C2540	1-162-131-11	s	CAPACITOR,CERAMIC 220PF/2KVDC
C2541	1-117-677-11	s	CAP, PP FILM (S) 3.3MF/200V
C2543	1-115-521-11	s	CAPACITOR FILM 0.82MF/250V(S)
C2544	1-104-665-11	s	CAPACITOR, ELECT 100MF/25V
C2545	1-163-021-91	s	CAPACITOR, CERAMIC 0.01MF/50V
C2546	1-126-933-11	s	CAPACITOR,ELECT 100MF/16V
C2547	1-163-021-91	s	CAPACITOR, CERAMIC 0.01MF/50V
C2548	1-126-933-11	s	CAPACITOR,ELECT 100MF/16V
C2549	1-163-021-91	s	CAPACITOR, CERAMIC 0.01MF/50V
C2550	1-135-348-11	s	CAPACITOR,SOLID ELECT 150MF
C2551	1-163-021-91	s	CAPACITOR, CERAMIC 0.01MF/50V
C2552	1-107-974-11	s	CAPACITOR CERAMIC 47PF/2KVDC
C2553	1-117-959-11	s	CAPASITOR PP FILM 4700PF
C2554	1-115-511-11	s	CAPACITOR FILM 0.12MF/250VDC
CN2501	1-794-956-11	o	PIN, CONNECTOR (PC BOARD) 7P
CN2502	1-564-509-11	o	PLUG,CONNECTOR (6P)
CN2503	1-764-334-11	s	PIN,CONNECTOR(11P)(V-TYPE)
CN2504	1-564-516-11	o	PLUG,CONNECTOR (13P)
CN2506	1-580-798-11	o	CONNECTOR PIN (DY) 6P
CN2507	1-785-518-11	o	CONNECTOR, BOARD TO BOARD (PLU
CN2508	1-785-518-11	o	CONNECTOR, BOARD TO BOARD (PLU
CN2509	1-774-249-11	o	CONNECTOR, BOARD TO BOARD
CN2510	1-695-915-11	s	TAB (CONTACT)
CN2511	1-695-915-11	s	TAB (CONTACT)

(D BOARD(FOR PVM-20L5/D20L5A))

Ref. No. or Q'ty	Part No.	SP	Description
CN2512	1-691-291-11	o	PIN,CONNECTOR(PC BOARD)5P
D2501	8-719-159-12	s	DIODE RD5.1SB2-T2
D2502	8-719-908-03	s	DIODE GP08D
D2506	8-719-028-45	s	DIODE D2L20U
D2507	8-719-028-45	s	DIODE D2L20U
D2508	8-719-977-95	s	DIODE DTZ2.4B-TT11 (5MA)
D2509	8-719-929-15	s	DIODE HZS9.1NB2
D2510	8-719-028-45	s	DIODE D2L20U
D2511	8-719-977-95	s	DIODE DTZ2.4B-TT11 (5MA)
D2512	8-719-977-95	s	DIODE DTZ2.4B-TT11 (5MA)
D2513	8-719-911-19	s	DIODE 1SS119-25
D2514	8-719-300-76	s	DIODE RH1A (RECTI)
D2515	8-719-075-44	s	DIODE DD54SCLS-YCC-11
D2516	8-719-073-01	s	DIODE MAl11-(K8).S0
D2517	8-719-911-19	s	DIODE 1SS119-25
D2518	8-719-951-30	s	DIODE ERA91-02
FB2501	1-410-397-21	s	FERRITE BEAD INDUCTOR
FB2502	1-410-397-21	s	FERRITE BEAD INDUCTOR
FB2504	1-410-397-21	s	FERRITE BEAD INDUCTOR
FB2505	1-410-397-21	s	FERRITE BEAD INDUCTOR
IC2501	8-759-980-58	s	IC TDA8172
IC2502	8-759-100-96	s	IC UPC4558G2
IC2503	8-759-803-42	s	IC LA6500-FA
IC2504	8-759-209-90	s	IC TC4S71F
IC2505	8-759-450-47	s	IC BA05T
L2501	1-459-111-00	s	COIL,DRUM CORE (CDI)
L2502	1-412-549-31	s	INDUCTOR,MICRO 1.0MH
L2505	1-408-622-31	s	MICRO INDUCTOR 390UH
Q2503	8-729-800-32	s	TRANSISTOR 2SC2362K
Q2504	8-729-015-28	s	TRANSISTOR IRFI9630GS
Q2505	8-729-119-76	s	TRANSISTOR 2SA1175-HFE
Q2506	8-729-423-33	s	TRANSISTOR 2SC3311A-QRSTA
Q2507	8-729-820-73	s	TRANSISTOR 2SC3746
Q2508	8-729-056-69	s	TRANSISTOR 2SC5778-CA
Q2509	8-729-122-13	s	TRANSISTOR 2SA1221-K (1.0W)
Q2510	1-801-806-11	s	TRANSISTOR DTC144EKA
Q2511	8-729-119-76	s	TRANSISTOR 2SA1175-HFE
Q2512	8-729-034-60	s	TRANSISTOR 2SK2350
Q2513	1-801-806-11	s	TRANSISTOR DTC144EKA
Q2514	8-729-034-60	s	TRANSISTOR 2SK2350
Q2515	1-801-806-11	s	TRANSISTOR DTC144EKA
Q2516	1-801-806-11	s	TRANSISTOR DTC144EKA
Q2517	8-729-044-21	s	TRANSISTOR 2SK2655-01R-F165
R2501	1-249-383-11	s	RES,CARBON 1.5 1/4W
R2502	1-249-383-11	s	RES,CARBON 1.5 1/4W
R2503	1-216-676-11	s	RESISTOR,CHIP 11K 1/10W(2012)
R2504	1-216-669-11	s	RESISTOR,CHIP 5.6K 1/10W(2012)
R2506	1-216-057-00	s	RESISTOR CHIP 2.2K 1/10W(2012)
R2507	1-249-383-11	s	RES,CARBON 1.5 1/4W
R2508	1-216-373-11	s	RESISTOR,METAL FILM 2.2/2W
R2509	1-216-453-00	s	RESISTOR,METAL FILM 270/2W
R2510	1-216-373-11	s	RESISTOR,METAL FILM 2.2/2W
R2511	1-216-668-11	s	RESISTOR,CHIP 5.1K 1/10W(2012)
R2512	1-216-097-00	s	RESISTOR CHIP 100K 1/10W(2012)
R2519	1-216-675-11	s	RESISTOR,CHIP 10K 1/10W(2012)
R2520	1-216-073-00	s	RESISTOR,CHIP 10K 1/10W(2012)
R2521	1-249-377-11	s	RES,CARBON 0.47 1/4W
R2522	1-249-377-11	s	RES,CARBON 0.47 1/4W

(D BOARD(FOR PVM-20L5/D20L5A))

Ref. No. or Q'ty	Part No.	SP Description
R2523	1-216-081-00	s RESISTOR,CHIP 22K 1/10W(2012)
R2524	1-216-053-00	s RESISTOR CHIP 1.5K 1/10W(2012)
R2525	1-216-065-91	s RESISTOR,CHIP 4.7K 1/10W(2012)
R2526	1-216-349-00	s RESISTOR,METAL FILM 1/1W
R2527	1-216-081-00	s RESISTOR,CHIP 22K 1/10W(2012)
R2528	1-216-063-91	s RESISTOR,CHIP 3.9K 1/10W(2125)
R2529	1-249-393-11	s RES,CARBON 10 1/4W
R2530	1-216-057-00	s RESISTOR CHIP 2.2K 1/10W(2012)
R2531	1-260-308-11	s RESISTOR CARBON 22 1/2W(SMALL)
R2532	1-249-377-11	s RES,CARBON 0.47 1/4W
R2533	1-216-059-00	s RESISTOR,CHIP 2.7K 1/10W(2012)
R2534	1-216-037-00	s RESISTOR,CHIP 330 1/10W(2012)
R2535	1-216-025-00	s RESISTOR,CHIP 100 1/10W(2012)
R2536	1-216-049-11	s RESISTOR, CHIP 1K 1/10W(2012)
R2537	1-216-073-00	s RESISTOR,CHIP 10K 1/10W(2012)
R2538	1-216-025-00	s RESISTOR,CHIP 100 1/10W(2012)
R2539	1-216-017-91	s RESISTOR, CHIP 47 1/10W(2012)
R2540	1-216-057-00	s RESISTOR CHIP 2.2K 1/10W(2012)
R2541	1-216-448-11	s RESISTOR,METAL FILM 39/2W
R2542	1-249-383-11	s RES,CARBON 1.5 1/4W
R2543	1-215-905-11	s RESISTOR,METAL FILM 10/3W
R2544	1-216-073-00	s RESISTOR,CHIP 10K 1/10W(2012)
R2545	1-216-073-00	s RESISTOR,CHIP 10K 1/10W(2012)
R2546	1-215-880-00	s RESISTOR,METAL FILM 10/2W
R2547	1-216-073-00	s RESISTOR,CHIP 10K 1/10W(2012)
R2548	1-215-862-11	s RESISTOR,METAL 68/1W
R2549	1-216-097-00	s RESISTOR CHIP 100K 1/10W(2012)
R2550	1-216-073-00	s RESISTOR,CHIP 10K 1/10W(2012)
R2551	1-216-115-00	s RESISTOR,CHIP 560K 1/10W(2012)
R2552	1-216-447-00	s RESISTOR,METAL FILM 27/2W
R2553	1-216-446-00	s RESISTOR,METAL FILM 18/2W
R2554	1-216-073-00	s RESISTOR,CHIP 10K 1/10W(2012)
R2555	1-216-115-00	s RESISTOR,CHIP 560K 1/10W(2012)
R2556	1-216-477-11	s RESISTOR,METAL FILM 270/3W
R2557	1-216-676-11	s RESISTOR,CHIP 11K 1/10W(2012)
R2558	1-215-905-11	s RESISTOR,METAL FILM 10/3W
R2559	1-215-894-11	s RESISTOR,METAL FILM 2.2K/2W
R2560	1-216-073-00	s RESISTOR,CHIP 10K 1/10W(2012)
R2561	1-216-081-00	s RESISTOR,CHIP 22K 1/10W(2012)
RY2501	1-755-167-11	s RELAY, AC POWER
T2501	1-437-207-11	s TRANSFORMER,FERRITE (HOT)
T2502	1-423-853-11	s TRANSFORMER, FERRITE (HDT)
T2503	1-431-413-11	s TRANSFORMER, FERRITE (HST)
TH2501	1-807-796-11	s THERMISTOR

D1 BOARD(FOR PVM-14L5/D14L5A)

Ref. No. or Q'ty	Part No.	SP Description
lpc	A-1300-106-B	s MOUNTED CIRCUIT BOARD, D1
C1501	1-126-767-11	s CAPACITOR,ELECT 1000MF/16V
C1502	1-163-133-00	s CAPACITOR,CHIP CERAMIC 470PF
C1503	1-125-889-11	s CAPACITOR, C.CERAMIC 2.2MF
C1504	1-109-982-11	s CAPACITOR,CHIP CERAMIC 1MF/10V
C1505	1-163-009-11	s CAPACITOR,CERAMIC 1000PF/50V
C1506	1-163-021-91	s CAPACITOR, CERAMIC 0.01MF/50V
C1507	1-164-005-11	s CAPACITOR,CERAMIC 0.47MF/25V
C1508	1-163-275-11	s CAPACITOR CERAMIC 1000PF/50V
C1509	1-126-514-11	s CAPACITOR,ELECT 22MF/16V
C1510	1-163-021-91	s CAPACITOR, CERAMIC 0.01MF/50V
C1511	1-130-495-00	s CAPACITOR FILM 0.1MF/50V PETP
C1512	1-126-961-11	s CAPACITOR, ELECT 2.2MF/50V
C1513	1-137-375-11	s CAPACITOR,PETF FILM 0.068MF
C1514	1-126-767-11	s CAPACITOR,ELECT 1000MF/16V
C1515	1-163-031-11	s CAPACITOR, CHIP CERAMIC 0.01MF
C1516	1-163-038-00	s CAPACITOR, CERAMIC 0.1MF/25V
C1517	1-163-009-11	s CAPACITOR,CERAMIC 1000PF/50V
C1518	1-163-038-00	s CAPACITOR CERAMIC 0.1MF/25V
C1519	1-164-344-11	s CAPACITOR CERAMIC 68000PF (M-)
C1520	1-163-017-00	s CAPACITOR,CHIP CERAMIC 4700PF
C1521	1-104-760-11	s CAPACITOR CERAMIC 0.047MF/50V
C1522	1-163-021-91	s CAPACITOR, CERAMIC 0.01MF/50V
C1523	1-163-809-11	s CAPACITOR,CHIP CERAMIC 0.047MF
C1524	1-126-965-11	s CAPACITOR,ELECT 22MF/50V
C1525	1-126-965-11	s CAPACITOR,ELECT 22MF/50V
C1526	1-126-767-11	s CAPACITOR,ELECT 1000MF/16V
C1527	1-163-017-00	s CAPACITOR,CHIP CERAMIC 4700PF
C1528	1-163-031-11	s CAPACITOR, CHIP CERAMIC 0.01MF
C1529	1-126-964-11	s CAPACITOR, ELECT 10MF/50V
C1530	1-126-959-11	s CAPCITOR ERECT 0.47MF/50V
C1531	1-126-964-11	s CAPACITOR, ELECT 10MF/50V
C1532	1-163-021-91	s CAPACITOR, CERAMIC 0.01MF/50V
C1533	1-135-348-11	s CAPACITOR,SOLID ELECT 150MF
C1534	1-163-021-91	s CAPACITOR, CERAMIC 0.01MF/50V
C1535	1-107-561-11	s CAPACITOR,CHIP FILM 0.01MF
C1536	1-126-968-11	s CAPACITOR,ELECT 100MF/50V
C1537	1-126-935-11	s CAPACITOR,ELECT 470MF/16V
C1538	1-126-960-11	s CAPACITOR,ELECT 1MF/50V
C1539	1-163-251-11	s CAPACITOR CERAMIC 100PF/50V
C1540	1-126-933-11	s CAPACITOR,ELECT 100MF/16V
C1541	1-163-021-91	s CAPACITOR, CERAMIC 0.01MF/50V
C1542	1-163-021-91	s CAPACITOR, CERAMIC 0.01MF/50V
C1543	1-126-933-11	s CAPACITOR,ELECT 100MF/16V
C1544	1-163-243-11	s CAPACITOR CHIP CERAMIC 47PF/50
C1545	1-163-009-11	s CAPACITOR,CERAMIC 1000PF/50V
C1546	1-163-037-11	s CAPACITOR,CHIP CERAMIC 0.022MF
C1547	1-126-967-11	s CAPACITOR,ELECT 47MF/50V
C1549	1-163-037-11	s CAPACITOR,CHIP CERAMIC 0.022MF
C1550	1-126-767-11	s CAPACITOR,ELECT 1000MF/16V
C1551	1-136-165-00	s CAPACITOR,FILM 0.1MF/50V (PP)
C1552	1-136-165-00	s CAPACITOR,FILM 0.1MF/50V (PP)
C1553	1-126-767-11	s CAPACITOR,ELECT 1000MF/16V
C1554	1-164-004-11	s CAPACITOR,CERAMIC 0.1MF/25V
C1555	1-109-982-11	s CAPACITOR,CHIP CERAMIC 1MF/10V
C1556	1-163-021-91	s CAPACITOR, CERAMIC 0.01MF/50V
CN1501	1-774-246-11	o CONNECTOR, BOARD TO BOARD 10P
CN1502	1-785-517-11	o CONNECTOR, BOARD TO BOARD

(D1 BOARD(FOR PVM-14L5/D14L5A))

Ref. No. or Q'ty	Part No.	SP	Description
CN1503	1-785-517-11	o	CONNECTOR, BOARD TO BOARD
CN1504	1-564-521-11	o	PLUG,CONNECTOR (6P)(L-TYPE)
D1502	8-719-073-01	s	DIODE MA111-(K8).SO
D1503	8-719-073-01	s	DIODE MA111-(K8).SO
D1504	8-719-033-52	s	DIODE RD5.1SB1-T1
D1505	8-719-073-01	s	DIODE MA111-(K8).SO
D1506	8-719-073-01	s	DIODE MA111-(K8).SO
D1507	8-719-073-01	s	DIODE MA111-(K8).SO
D1508	8-719-037-23	s	DIODE RD12SB1-T1
D1509	8-719-158-56	s	DIODE RD15SB1
D1510	8-719-033-52	s	DIODE RD5.1SB1-T1
D1511	8-719-033-52	s	DIODE RD5.1SB1-T1
D1512	8-719-037-23	s	DIODE RD12SB1-T1
D1513	8-719-159-12	s	DIODE RD5.1SB2-T2
D1517	8-719-073-01	s	DIODE MA111-(K8).SO
D1518	8-719-073-01	s	DIODE MA111-(K8).SO
D1519	8-719-050-84	s	DIODE RB441Q-40T-77
D1520	8-719-159-12	s	DIODE RD5.1SB2-T2
IC1501	8-759-700-78	s	IC NJM082M
IC1503	8-759-239-34	s	IC TC74HC4538AF
IC1504	9-910-999-31	s	SUPPLY END
IC1505	8-759-594-40	s	IC CXA8071CP
IC1506	8-759-567-08	s	IC MB88141APF-ER
IC1507	8-759-239-34	s	IC TC74HC4538AF
IC1508	9-910-999-31	s	SUPPLY END
IC1509	8-759-158-82	s	IC CXA1544M-T6
IC1510	8-759-140-85	s	IC UPC1093J
L1510	1-412-537-31	s	INDUCTOR,MICRO 100UH
L1511	1-412-537-31	s	INDUCTOR,MICRO 100UH
Q1500	6-550-154-01	s	TRANSISTOR IMT2AT108
Q1501	1-801-806-11	s	TRANSISTOR DTC144EKA
Q1503	1-801-806-11	s	TRANSISTOR DTC144EKA
Q1504	8-729-900-53	s	TRANSISTOR DTC114EK
Q1506	1-801-806-11	s	TRANSISTOR DTC144EKA
Q1508	8-729-027-38	s	TRANSISTOR DTA144EKA-T146
Q1510	8-729-027-38	s	TRANSISTOR DTA144EKA-T146
Q1511	8-729-120-28	s	TRANSISTOR 2SC1623-L5L6
Q1512	8-729-026-49	s	TRANSISTOR 2SA1037AK-T146-R
Q1513	1-801-806-11	s	TRANSISTOR DTC144EKA
Q1514	1-801-806-11	s	TRANSISTOR DTC144EKA
Q1516	1-801-806-11	s	TRANSISTOR DTC144EKA
Q1517	1-801-806-11	s	TRANSISTOR DTC144EKA
Q1518	1-801-806-11	s	TRANSISTOR DTC144EKA
Q1519	8-729-116-05	s	TRANSISTOR 2SK160-K5
Q1520	8-729-116-05	s	TRANSISTOR 2SK160-K5
R1501	1-216-085-00	s	RESISTOR CHIP 33K 1/10W(2012)
R1502	1-216-025-00	s	RESISTOR,CHIP 100 1/10W(2012)
R1503	1-216-069-00	s	RESISTOR,CHIP 6.8K 1/10W(2012)
R1504	1-216-677-11	s	RESISTOR,CHIP 12K 1/10W(2012)
R1505	1-216-073-00	s	RESISTOR,CHIP 10K 1/10W(2012)
R1506	1-216-073-00	s	RESISTOR,CHIP 10K 1/10W(2012)
R1507	1-216-025-00	s	RESISTOR,CHIP 100 1/10W(2012)
R1509	1-216-073-00	s	RESISTOR,CHIP 10K 1/10W(2012)
R1510	1-216-073-00	s	RESISTOR,CHIP 10K 1/10W(2012)
R1514	1-216-049-11	s	RESISTOR,CHIP 1K 1/10W(2012)

(D1 BOARD(FOR PVM-14L5/D14L5A))

Ref. No. or Q'ty	Part No.	SP	Description
R1515	1-216-113-00	s	RESISTOR CHIP 470K 1/10W(2012)
R1517	1-216-025-00	s	RESISTOR,CHIP 100 1/10W(2012)
R1518	1-216-049-11	s	RESISTOR,CHIP 1K 1/10W(2012)
R1519	1-216-025-00	s	RESISTOR,CHIP 100 1/10W(2012)
R1521	1-216-075-00	s	RESISTOR CHIP 12K 1/10W(2012)
R1522	1-216-057-00	s	RESISTOR CHIP 2.2K 1/10W(2012)
R1523	1-216-025-00	s	RESISTOR,CHIP 100 1/10W(2012)
R1524	1-216-001-00	s	RESISTOR,CHIP 10 1/10W(2012)
R1525	1-216-001-00	s	RESISTOR,CHIP 10 1/10W(2012)
R1527	1-216-025-00	s	RESISTOR,CHIP 100 1/10W(2012)
R1528	1-216-083-00	s	RESISTOR CHIP 27K 1/10W(2012)
R1529	1-215-866-11	s	RESISTOR,METAL FILM 330/1W
R1531	1-216-077-00	s	RESISTOR,CHIP 15K 1/10W(2012)
R1532	1-216-085-00	s	RESISTOR CHIP 33K 1/10W(2012)
R1533	1-216-121-00	s	RESISTOR CHIP 1M 1/10W(2012)
R1534	1-216-085-00	s	RESISTOR CHIP 33K 1/10W(2012)
R1535	1-216-049-11	s	RESISTOR,CHIP 1K 1/10W(2012)
R1536	1-216-073-00	s	RESISTOR,CHIP 10K 1/10W(2012)
R1537	1-216-673-11	s	RESISTOR,CHIP 8.2K 1/10W(2012)
R1538	1-216-685-11	s	RESISTOR,CHIP 27K 1/10W(2012)
R1539	1-216-025-00	s	RESISTOR,CHIP 100 1/10W(2012)
R1540	1-216-025-00	s	RESISTOR,CHIP 100 1/10W(2012)
R1541	1-216-025-00	s	RESISTOR,CHIP 100 1/10W(2012)
R1542	1-216-025-00	s	RESISTOR,CHIP 100 1/10W(2012)
R1543	1-216-025-00	s	RESISTOR,CHIP 100 1/10W(2012)
R1544	1-216-025-00	s	RESISTOR,CHIP 100 1/10W(2012)
R1545	1-216-025-00	s	RESISTOR,CHIP 100 1/10W(2012)
R1546	1-216-025-00	s	RESISTOR,CHIP 100 1/10W(2012)
R1548	1-216-025-00	s	RESISTOR,CHIP 100 1/10W(2012)
R1549	1-216-025-00	s	RESISTOR,CHIP 100 1/10W(2012)
R1550	1-216-025-00	s	RESISTOR,CHIP 100 1/10W(2012)
R1552	1-216-105-91	s	RESISTOR,CHIP 220K 1/10W(2125)
R1553	1-216-025-00	s	RESISTOR,CHIP 100 1/10W(2012)
R1554	1-216-691-11	s	RESISTOR,CHIP 47K 1/10W(2012)
R1555	1-216-009-00	s	RESISTOR,CHIP 22 1/10W(2012)
R1556	1-216-025-00	s	RESISTOR,CHIP 100 1/10W(2012)
R1557	1-216-001-00	s	RESISTOR,CHIP 10 1/10W(2012)
R1558	1-216-662-11	s	RESISTOR,CHIP 3K 1/10W(2012)
R1559	1-216-025-00	s	RESISTOR,CHIP 100 1/10W(2012)
R1560	1-216-648-11	s	RESISTOR,CHIP 750 1/10W(2012)
R1561	1-216-025-00	s	RESISTOR,CHIP 100 1/10W(2012)
R1562	1-216-001-00	s	RESISTOR,CHIP 10 1/10W(2012)
R1563	1-216-001-00	s	RESISTOR,CHIP 10 1/10W(2012)
R1564	1-216-683-11	s	RESISTOR,CHIP 22K 1/10W(2012)
R1565	1-216-049-11	s	RESISTOR,CHIP 1K 1/10W(2012)
R1566	1-249-405-11	s	RES,CARBON 100 1/4W SMALL
R1567	1-216-009-00	s	RESISTOR,CHIP 22 1/10W(2012)
R1568	1-216-049-11	s	RESISTOR,CHIP 1K 1/10W(2012)
R1569	1-216-083-00	s	RESISTOR CHIP 27K 1/10W(2012)
R1570	1-216-073-00	s	RESISTOR,CHIP 10K 1/10W(2012)
R1571	1-216-065-91	s	RESISTOR,CHIP 4.7K 1/10W(2012)
R1572	1-216-057-00	s	RESISTOR CHIP 2.2K 1/10W(2012)
R1573	1-216-683-11	s	RESISTOR,CHIP 22K 1/10W(2012)
R1574	1-216-685-11	s	RESISTOR,CHIP 27K 1/10W(2012)
R1575	1-216-111-00	s	RESISTOR,CHIP 390K 1/10(2012)
R1576	1-216-063-91	s	RESISTOR,CHIP 3.9K 1/10W(2125)
R1577	1-216-081-00	s	RESISTOR,CHIP 22K 1/10W(2012)
R1578	1-216-065-91	s	RESISTOR,CHIP 4.7K 1/10W(2012)

(D1 BOARD(FOR PVM-14L5/D14L5A))

Ref. No. or Q'ty	Part No.	SP	Description
R1579	△ 1-216-675-11	s	RESISTOR,CHIP 10K 1/10W(2012)
R1580	△ 1-216-668-11	s	RESISTOR,CHIP 5.1K 1/10W(2012)
R1581	1-216-627-11	s	RESISTOR,CHIP 100 1/10W (2012)
R1582	1-216-073-00	s	RESISTOR,CHIP 10K 1/10W(2012)
R1583	1-216-067-00	s	RESISTOR,CHIP 5.6K 1/10W(2012)
R1585	1-216-073-00	s	RESISTOR,CHIP 10K 1/10W(2012)
R1587	1-216-025-00	s	RESISTOR,CHIP 100 1/10W(2012)
R1588	1-216-085-00	s	RESISTOR CHIP 33K 1/10W(2012)
R1589	1-216-085-00	s	RESISTOR CHIP 33K 1/10W(2012)
R1590	1-216-627-11	s	RESISTOR,CHIP 100 1/10W (2012)
R1592	1-216-025-00	s	RESISTOR,CHIP 100 1/10W(2012)
R1593	1-216-025-00	s	RESISTOR,CHIP 100 1/10W(2012)
R1594	1-216-699-11	s	RESISTOR,CHIP 100K 1/10W(2012)
R1595	1-216-699-11	s	RESISTOR,CHIP 100K 1/10W(2012)
R1596	1-216-653-11	s	RESISTOR,CHIP 1.2K 1/10W(2012)
R1597	1-218-760-11	s	RESISTOR,CHIP 220K 1/10W(2012)
R1598	1-216-073-00	s	RESISTOR,CHIP 10K 1/10W(2012)
R1599	1-218-764-11	s	RESISTOR,CHIP 330K 1/10W(2012)
TH1501	1-807-973-11	s	THERMISTOR(3K)
X1501	1-767-933-11	s	OSCILLATOR, CERAMIC (500KHZ)

D1 BOARD(FOR PVM-20L5/D20L5A)

Ref. No. or Q'ty	Part No.	SP	Description
lpc	8-330-030-42	s	MOUNTED CIRCUIT BOARD, D1
C1501	1-126-767-11	s	CAPACITOR,ELECT 1000MF/16V
C1502	1-163-133-00	s	CAPACITOR,CHIP CERAMIC 470PF
C1503	1-125-889-11	s	CAPACITOR, C.CERAMIC 2.2MF
C1504	1-109-982-11	s	CAPACITOR,CHIP CERAMIC 1MF/10V
C1505	1-163-009-11	s	CAPACITOR,CERAMIC 1000PF/50V
C1506	1-163-021-91	s	CAPACITOR, CERAMIC 0.01MF/50V
C1507	1-164-005-11	s	CAPACITOR,CERAMIC 0.47MF/25V
C1508	1-163-275-11	s	CAPACITOR CERAMIC 1000PF/50V
C1509	1-126-514-11	s	CAPACITOR,ELECT 22MF/16V
C1510	1-163-021-91	s	CAPACITOR, CERAMIC 0.01MF/50V
C1511	1-130-495-00	s	CAPACITOR FILM 0.1MF/50V PETP
C1512	1-126-961-11	s	CAPACITOR, ELECT 2.2MF/50V
C1513	1-137-375-11	s	CAPACITOR,PETF FILM 0.068MF
C1514	1-126-767-11	s	CAPACITOR,ELECT 1000MF/16V
C1515	1-163-031-11	s	CAPACITOR, CHIP CERAMIC 0.01MF
C1516	1-163-038-00	s	CAPACITOR, CERAMIC 0.1MF/25V
C1517	1-163-009-11	s	CAPACITOR,CERAMIC 1000PF/50V
C1518	1-165-319-11	s	CAPACITOR,CERAMIC 0.1MF/50V
C1519	1-164-344-11	s	CAPACITOR CERAMIC 68000PF (M-)
C1520	1-163-017-00	s	CAPACITOR,CHIP CERAMIC 4700PF
C1521	1-163-809-11	s	CAPACITOR,CHIP CERAMIC 0.047MF
C1522	1-163-021-91	s	CAPACITOR, CERAMIC 0.01MF/50V
C1523	1-163-809-11	s	CAPACITOR,CHIP CERAMIC 0.047MF
C1524	1-126-965-11	s	CAPACITOR,ELECT 22MF/50V
C1525	1-126-965-11	s	CAPACITOR,ELECT 22MF/50V
C1526	1-126-767-11	s	CAPACITOR,ELECT 1000MF/16V
C1527	1-163-017-00	s	CAPACITOR,CHIP CERAMIC 4700PF
C1528	1-163-031-11	s	CAPACITOR, CHIP CERAMIC 0.01MF
C1529	1-126-964-11	s	CAPACITOR, ELECT 10MF/50V
C1530	1-126-959-11	s	CAPCITOR ERECT 0.47MF/50V
C1531	1-126-964-11	s	CAPACITOR, ELECT 10MF/50V
C1532	1-163-021-91	s	CAPACITOR, CERAMIC 0.01MF/50V
C1533	1-135-348-11	s	CAPACITOR,SOLID ELECT 150MF
C1534	1-163-021-91	s	CAPACITOR, CERAMIC 0.01MF/50V
C1535	1-107-561-11	s	CAPACITOR,CHIP FILM 0.01MF
C1536	1-126-968-11	s	CAPACITOR,ELECT 100MF/50V
C1537	1-126-935-11	s	CAPACITOR,ELECT 470MF/16V
C1538	1-126-960-11	s	CAPACITOR,ELECT 1MF/50V
C1539	1-163-251-11	s	CAPACITOR CERAMIC 100PF/50V
C1540	1-126-933-11	s	CAPACITOR,ELECT 100MF/16V
C1541	1-163-021-91	s	CAPACITOR, CERAMIC 0.01MF/50V
C1542	1-163-021-91	s	CAPACITOR, CERAMIC 0.01MF/50V
C1543	1-126-933-11	s	CAPACITOR,ELECT 100MF/16V
C1544	1-163-243-11	s	CAPACITOR CHIP CERAMIC 47PF/50
C1545	1-163-009-11	s	CAPACITOR,CERAMIC 1000PF/50V
C1546	1-163-037-11	s	CAPACITOR,CHIP CERAMIC 0.022MF
C1547	1-126-967-11	s	CAPACITOR,ELECT 47MF/50V
C1549	1-163-037-11	s	CAPACITOR,CHIP CERAMIC 0.022MF
C1550	1-126-767-11	s	CAPACITOR,ELECT 1000MF/16V
C1551	1-136-165-00	s	CAPACITOR,FILM 0.1MF/50V (PP)
C1552	1-136-165-00	s	CAPACITOR,FILM 0.1MF/50V (PP)
C1553	1-126-767-11	s	CAPACITOR,ELECT 1000MF/16V
C1554	1-164-004-11	s	CAPACITOR,CERAMIC 0.1MF/25V
C1555	1-109-982-11	s	CAPACITOR,CHIP CERAMIC 1MF/10V
C1556	1-163-021-91	s	CAPACITOR, CERAMIC 0.01MF/50V
CN1501	1-774-246-11	o	CONNECTOR, BOARD TO BOARD 10P
CN1502	1-785-517-11	o	CONNECTOR, BOARD TO BOARD

(D1 BOARD(FOR PVM-20L5/D20L5A))

Ref. No. or Q'ty	Part No.	SP	Description
CN1503	1-785-517-11	o	CONNECTOR, BOARD TO BOARD
CN1504	1-564-521-11	o	PLUG,CONNECTOR (6P)(L-TYPE)
D1502	8-719-073-01	s	DIODE MA111-(K8).S0
D1503	8-719-073-01	s	DIODE MA111-(K8).S0
D1504	8-719-033-52	s	DIODE RD5.1SB1-T1
D1505	8-719-073-01	s	DIODE MA111-(K8).S0
D1506	8-719-073-01	s	DIODE MA111-(K8).S0
D1507	8-719-073-01	s	DIODE MA111-(K8).S0
D1508	8-719-037-23	s	DIODE RD12SB1-T1
D1509	8-719-158-56	s	DIODE RD15SB1
D1510	8-719-033-52	s	DIODE RD5.1SB1-T1
D1511	8-719-033-52	s	DIODE RD5.1SB1-T1
D1512	8-719-037-23	s	DIODE RD12SB1-T1
D1513	8-719-159-12	s	DIODE RD5.1SB2-T2
D1517	8-719-073-01	s	DIODE MA111-(K8).S0
D1518	8-719-073-01	s	DIODE MA111-(K8).S0
D1519	8-719-050-84	s	DIODE RB441Q-40T-77
D1520	8-719-159-12	s	DIODE RD5.1SB2-T2
IC1501	8-759-700-78	s	IC NJM082M
IC1503	8-759-239-34	s	IC TC74HC4538AF
IC1504	9-910-999-31	s	SUPPLY END
IC1505	8-759-594-40	s	IC CXA8071CP
IC1506	8-759-567-08	s	IC MB88141APF-ER
IC1507	8-759-239-34	s	IC TC74HC4538AF
IC1508	9-910-999-31	s	SUPPLY END
IC1509	8-759-158-82	s	IC CXA1544M-T6
IC1510	8-759-140-85	s	IC UPC1093J
L1510	1-412-537-31	s	INDUCTOR,MICRO 100UH
L1511	1-412-537-31	s	INDUCTOR,MICRO 100UH
Q1500	6-550-154-01	s	TRANSISTOR IMT2AT108
Q1501	1-801-806-11	s	TRANSISTOR DTC144EKA
Q1503	1-801-806-11	s	TRANSISTOR DTC144EKA
Q1504	8-729-900-53	s	TRANSISTOR DTC114EK
Q1506	1-801-806-11	s	TRANSISTOR DTC144EKA
Q1508	8-729-027-38	s	TRANSISTOR DTA144EKA-T146
Q1510	8-729-027-38	s	TRANSISTOR DTA144EKA-T146
Q1511	8-729-120-28	s	TRANSISTOR 2SC1623-L5L6
Q1512	8-729-026-49	s	TRANSISTOR 2SA1037AK-T146-R
Q1513	1-801-806-11	s	TRANSISTOR DTC144EKA
Q1514	1-801-806-11	s	TRANSISTOR DTC144EKA
Q1516	1-801-806-11	s	TRANSISTOR DTC144EKA
Q1517	1-801-806-11	s	TRANSISTOR DTC144EKA
Q1518	1-801-806-11	s	TRANSISTOR DTC144EKA
Q1519	8-729-116-05	s	TRANSISTOR 2SK160-K5
Q1520	8-729-116-05	s	TRANSISTOR 2SK160-K5
R1501	1-216-085-00	s	RESISTOR CHIP 33K 1/10W(2012)
R1502	1-216-025-00	s	RESISTOR,CHIP 100 1/10W(2012)
R1503	1-216-069-00	s	RESISTOR,CHIP 6.8K 1/10W(2012)
R1504	1-216-677-11	s	RESISTOR,CHIP 12K 1/10W(2012)
R1505	1-216-073-00	s	RESISTOR,CHIP 10K 1/10W(2012)
R1506	1-216-073-00	s	RESISTOR,CHIP 10K 1/10W(2012)
R1507	1-216-025-00	s	RESISTOR,CHIP 100 1/10W(2012)
R1509	1-216-073-00	s	RESISTOR,CHIP 10K 1/10W(2012)
R1510	1-216-073-00	s	RESISTOR,CHIP 10K 1/10W(2012)
R1514	1-216-049-11	s	RESISTOR,CHIP 1K 1/10W(2012)

(D1 BOARD(FOR PVM-20L5/D20L5A))

Ref. No. or Q'ty	Part No.	SP	Description
R1515	1-216-113-00	s	RESISTOR CHIP 470K 1/10W(2012)
R1517	1-216-025-00	s	RESISTOR,CHIP 100 1/10W(2012)
R1518	1-216-049-11	s	RESISTOR,CHIP 1K 1/10W(2012)
R1519	1-216-025-00	s	RESISTOR,CHIP 100 1/10W(2012)
R1521	1-216-075-00	s	RESISTOR CHIP 12K 1/10W(2012)
R1522	1-216-057-00	s	RESISTOR CHIP 2.2K 1/10W(2012)
R1523	1-216-025-00	s	RESISTOR,CHIP 100 1/10W(2012)
R1524	1-216-001-00	s	RESISTOR,CHIP 10 1/10W(2012)
R1525	1-216-001-00	s	RESISTOR,CHIP 10 1/10W(2012)
R1527	1-216-025-00	s	RESISTOR,CHIP 100 1/10W(2012)
R1528	1-216-683-11	s	RESISTOR,CHIP 22K 1/10W (2012)
R1529	1-215-866-11	s	RESISTOR,METAL FILM 330/1W
R1531	1-216-077-00	s	RESISTOR,CHIP 15K 1/10W(2012)
R1532	1-216-085-00	s	RESISTOR CHIP 33K 1/10W(2012)
R1533	1-216-121-00	s	RESISTOR CHIP 1M 1/10W(2012)
R1534	1-216-085-00	s	RESISTOR CHIP 33K 1/10W(2012)
R1535	1-216-651-11	s	RESISTOR,CHIP 1K 1/10W(2012)
R1536	1-216-073-00	s	RESISTOR,CHIP 10K 1/10W(2012)
R1537	1-216-673-11	s	RESISTOR,CHIP 8.2K 1/10W(2012)
R1538	1-216-685-11	s	RESISTOR,CHIP 27K 1/10W(2012)
R1539	1-216-025-00	s	RESISTOR,CHIP 100 1/10W(2012)
R1540	1-216-025-00	s	RESISTOR,CHIP 100 1/10W(2012)
R1541	1-216-025-00	s	RESISTOR,CHIP 100 1/10W(2012)
R1542	1-216-025-00	s	RESISTOR,CHIP 100 1/10W(2012)
R1543	1-216-025-00	s	RESISTOR,CHIP 100 1/10W(2012)
R1544	1-216-025-00	s	RESISTOR,CHIP 100 1/10W(2012)
R1545	1-216-025-00	s	RESISTOR,CHIP 100 1/10W(2012)
R1546	1-216-025-00	s	RESISTOR,CHIP 100 1/10W(2012)
R1548	1-216-025-00	s	RESISTOR,CHIP 100 1/10W(2012)
R1549	1-216-025-00	s	RESISTOR,CHIP 100 1/10W(2012)
R1550	1-216-025-00	s	RESISTOR,CHIP 100 1/10W(2012)
R1552	1-216-105-91	s	RESISTOR,CHIP 220K 1/10W(2125)
R1553	1-216-025-00	s	RESISTOR,CHIP 100 1/10W(2012)
R1554	1-216-691-11	s	RESISTOR,CHIP 47K 1/10W(2012)
R1555	1-216-009-00	s	RESISTOR,CHIP 22 1/10W (2012)
R1556	1-216-025-00	s	RESISTOR,CHIP 100 1/10W(2012)
R1557	1-216-001-00	s	RESISTOR,CHIP 10 1/10W(2012)
R1558	1-216-662-11	s	RESISTOR,CHIP 3K 1/10W (2012)
R1559	1-216-025-00	s	RESISTOR,CHIP 100 1/10W(2012)
R1560	1-216-648-11	s	RESISTOR,CHIP 750 1/10W (2012)
R1561	1-216-025-00	s	RESISTOR,CHIP 100 1/10W(2012)
R1562	1-216-001-00	s	RESISTOR,CHIP 10 1/10W(2012)
R1563	1-216-001-00	s	RESISTOR,CHIP 10 1/10W(2012)
R1564	1-216-683-11	s	RESISTOR,CHIP 22K 1/10W (2012)
R1565	1-216-049-11	s	RESISTOR,CHIP 1K 1/10W(2012)
R1566	1-249-405-11	s	RES,CARBON 100 1/4W SMALL
R1567	1-216-009-00	s	RESISTOR,CHIP 22 1/10W (2012)
R1568	1-216-049-11	s	RESISTOR,CHIP 1K 1/10W(2012)
R1569	1-216-083-00	s	RESISTOR CHIP 27K 1/10W(2012)
R1570	1-216-073-00	s	RESISTOR,CHIP 10K 1/10W(2012)
R1571	1-216-065-91	s	RESISTOR,CHIP 4.7K 1/10W(2012)
R1572	1-216-057-00	s	RESISTOR CHIP 2.2K 1/10W(2012)
R1573	1-216-683-11	s	RESISTOR,CHIP 22K 1/10W (2012)
R1574	1-216-685-11	s	RESISTOR,CHIP 27K 1/10W(2012)
R1575	1-216-111-00	s	RESISTOR,CHIP 390K 1/10(2012)
R1576	1-216-063-91	s	RESISTOR,CHIP 3.9K 1/10W(2125)
R1577	1-216-081-00	s	RESISTOR,CHIP 22K 1/10W(2012)
R1578	1-216-065-91	s	RESISTOR,CHIP 4.7K 1/10W(2012)

(D1 BOARD(FOR PVM-20L5/D20L5A))

Ref. No. or Q'ty	Part No.	SP Description
R1579	△ 1-216-678-11	s RESISTOR,CHIP 13K 1/10W(2012)
R1580	△ 1-216-668-11	s RESISTOR,CHIP 5.1K 1/10W(2012)
R1581	1-216-627-11	s RESISTOR,CHIP 100 1/10W (2012)
R1582	1-216-073-00	s RESISTOR,CHIP 10K 1/10W(2012)
R1583	1-216-067-00	s RESISTOR,CHIP 5.6K 1/10W(2012)
R1585	1-216-073-00	s RESISTOR,CHIP 10K 1/10W(2012)
R1587	1-216-025-00	s RESISTOR,CHIP 100 1/10W(2012)
R1588	1-216-687-11	s RESISTOR CHIP 33K 1/10W (2012)
R1589	1-216-687-11	s RESISTOR CHIP 33K 1/10W (2012)
R1590	1-216-627-11	s RESISTOR,CHIP 100 1/10W (2012)
R1592	1-216-025-00	s RESISTOR,CHIP 100 1/10W(2012)
R1593	1-216-627-11	s RESISTOR,CHIP 100 1/10W (2012)
R1594	1-216-699-11	s RESISTOR,CHIP 100K 1/10W(2012)
R1595	1-216-699-11	s RESISTOR,CHIP 100K 1/10W(2012)
R1596	1-216-653-11	s RESISTOR,CHIP 1.2K 1/10W(2012)
R1597	1-218-760-11	s RESISTOR,CHIP 220K 1/10W(2012)
R1598	1-216-073-00	s RESISTOR,CHIP 10K 1/10W(2012)
R1599	1-218-764-11	s RESISTOR,CHIP 330K 1/10W(2012)
TH1501	1-807-973-11	s THERMISTOR(3K)
X1501	1-767-933-11	s OSCILLATOR, CERAMIC (500KHZ)

D2 BOARD

Ref. No. or Q'ty	Part No.	SP Description
1pc	8-330-030-13	s MOUNTED CIRCUIT BOARD, D2
CN2510	1-691-291-11	o PIN,CONNECTOR(PC BOARD)5P
L2503	1-424-889-11	s COIL, HORIZONTAL
L2504	1-424-889-11	s COIL, HORIZONTAL
LP2501	4-042-408-01	o PIN, COATING LEAD

G BOARD(FOR PVM-14L5/D14L5A)

Ref. No. or Q'ty	Part No.	SP Description
1pc	8-330-030-08	s MOUNTED CIRCUIT BOARD, G
C504	1-163-031-11	s CAPACITOR, CHIP CERAMIC 0.01MF
C505	1-163-021-91	s CAPACITOR, CERAMIC 0.01MF/50V
C506	1-163-021-91	s CAPACITOR, CERAMIC 0.01MF/50V
C507	1-163-021-91	s CAPACITOR, CERAMIC 0.01MF/50V
C508	1-107-902-11	s CAPACITOR,ELECT 1MF/50V
C509	1-107-362-11	s CAPACITOR,PETP FILM .0047/200V
C510	1-136-541-11	s CAPACITOR,FILM 1.5MF/200VDC
C511	1-163-021-91	s CAPACITOR, CERAMIC 0.01MF/50V
C512	1-102-030-00	s CAPACITOR,CERAMIC;500V/330PF
C513	1-115-350-51	s CAPACITOR, CERAMIC 4700PF F
C514	1-136-044-00	s CAPACITOR FILM 1700PF/1.6KVH
C515	1-104-569-11	s CAPACITOR CERAMIC 680PF/2KVDC
C516	1-164-004-11	s CAPACITOR,CERAMIC 0.1MF/25V
C517	1-163-263-11	s CAPACITOR CERAMIC 330PF/50V
C518	1-110-641-51	s CAPACITOR, ELECT 33MF/200V
C519	1-102-030-00	s CAPACITOR,CERAMIC;500V/330PF
C520	1-107-364-11	s CAPACITOR,FILM 0.01MF/200VPET
C521	1-107-364-11	s CAPACITOR,FILM 0.01MF/200VPET
C522	1-107-682-11	s CAPACITOR,CHIP 1MF/16V (3216)
C523	1-163-809-11	s CAPACITOR,CHIP CERAMIC 0.047MF
C524	1-107-682-11	s CAPACITOR,CHIP 1MF/16V (3216)
C526	1-163-038-00	s CAPACITOR, CERAMIC 0.1MF/25V
C527	1-163-227-11	s CAPACITOR CERAMIC 10PF/50V(CH)
C529	1-163-021-91	s CAPACITOR, CERAMIC 0.01MF/50V
C530	1-163-021-91	s CAPACITOR, CERAMIC 0.01MF/50V
C531	1-107-906-11	s CAPACITOR,ELECT 10MF/50V(105)
C532	1-107-682-11	s CAPACITOR,CHIP 1MF/16V (3216)
C533	1-107-906-11	s CAPACITOR,ELECT 10MF/50V(105)
C534	1-163-021-91	s CAPACITOR, CERAMIC 0.01MF/50V
C535	1-107-682-11	s CAPACITOR,CHIP 1MF/16V (3216)
C536	1-106-383-00	s CAPACITOR FILM 0.047MF/200V
C537	1-163-021-91	s CAPACITOR, CERAMIC 0.01MF/50V
C538	1-128-526-11	s CAPACITOR,ELECT 100MF/25V
C539	1-128-526-11	s CAPACITOR,ELECT 100MF/25V
C540	1-128-526-11	s CAPACITOR,ELECT 100MF/25V
C541	1-163-021-91	s CAPACITOR, CERAMIC 0.01MF/50V
C542	1-163-021-91	s CAPACITOR, CERAMIC 0.01MF/50V
C543	1-128-526-11	s CAPACITOR,ELECT 100MF/25V
C545	1-163-251-11	s CAPACITOR CERAMIC 100PF/50V
C546	1-107-906-11	s CAPACITOR,ELECT 10MF/50V(105)
C601	△ 1-113-903-11	s CAPACITOR,CERAMIC .001MF/250V
C602	△ 1-107-533-11	s CAPACITOR FILM 1MF/250VAC
C603	△ 1-113-903-11	s CAPACITOR,CERAMIC .001MF/250V
C604	△ 1-113-926-11	s CAPACITOR,CERAMIC 4700PF/250V
C605	△ 1-113-926-11	s CAPACITOR,CERAMIC 4700PF/250V
C606	1-107-910-11	s CAPACITOR,ELECT 100MF/50V
C607	1-164-004-11	s CAPACITOR,CERAMIC 0.1MF/25V
C608	1-137-479-11	s CAPASITOR FILM 1MF/400V
C609	1-107-907-11	s CAPACITOR,ELECT 22MF/50V
C610	1-163-021-91	s CAPACITOR, CERAMIC 0.01MF/50V
C611	1-107-906-11	s CAPACITOR,ELECT 10MF/50V(105)
C612	1-102-973-00	s CAPACITOR,CERAMIC 100PF/50V
C613	1-163-021-91	s CAPACITOR, CERAMIC 0.01MF/50V
C614	1-164-005-11	s CAPACITOR,CERAMIC 0.47MF/25V
C615	1-107-910-11	s CAPACITOR,ELECT 100MF/50V
C616	1-107-903-11	s CAPACITOR,ELECT 2.2MF/50V
C617	1-113-711-11	s CAPACITOR, ELECT 330MF/450V

(G BOARD(FOR PVM-14L5/D14L5A))

Ref. No. or Q'ty	Part No.	SP	Description
C618	1-163-139-00	s	CAPACITOR,CHIP CERAMIC 820PF
C619	1-107-905-11	s	CAPACITOR,ELECT 4.7MF/50V
C620	1-163-021-91	s	CAPACITOR, CERAMIC 0.01MF/50V
C621	1-104-760-11	s	CAPACITOR CERAMIC 0.047MF/50V
C622	1-129-722-00	s	CAPACITOR,FILM 0.047MF/630V
C623	1-104-760-11	s	CAPACITOR CERAMIC 0.047MF/50V
C624	1-107-911-11	s	CAPACITOR,ELECT 220MF/50V
C626	1-162-117-00	s	CAPACITOR,CERAMIC 100PF/500V B
C627	1-107-965-11	s	CAPACITOR,ELECT 100MF/250V
C628	1-162-117-00	s	CAPACITOR,CERAMIC 100PF/500V B
C629	1-162-117-00	s	CAPACITOR,CERAMIC 100PF/500V B
C630	1-107-890-11	s	CAPACITOR ELECT 2200MF/25V
C631	1-115-766-51	s	CAPACITOR,ELECT.2200MF/16V
C632	1-111-066-11	s	CAPACITOR,ELECT 820MF/25V 105
C633	1-163-021-91	s	CAPACITOR, CERAMIC 0.01MF/50V
C634	1-107-906-11	s	CAPACITOR,ELECT 10MF/50V(105)
C635	1-107-892-11	s	CAPACITOR, ELECT 4700MF25V
C636	1-107-890-11	s	CAPACITOR ELECT 2200MF/25V
C637	1-107-886-11	s	CAPACITOR ELECT 4700MF/16V(105)
C638	1-115-766-51	s	CAPACITOR,ELECT.2200MF/16V
C639	1-128-339-11	s	CAPACITOR,ELECT 2200MF/16V
C642	1-128-339-11	s	CAPACITOR,ELECT 2200MF/16V
C643	1-107-914-11	s	CAPACITOR,ELECT 1000MF/50V
C644	1-107-877-11	s	CAPACITOR, ELECT 1000MF/10V
C645	1-107-877-11	s	CAPACITOR, ELECT 1000MF/10V
C646	1-128-339-11	s	CAPACITOR,ELECT 2200MF/16V
C647	1-107-877-11	s	CAPACITOR, ELECT 1000MF/10V
C648	1-162-117-00	s	CAPACITOR,CERAMIC 100PF/500V B
C649	1-165-894-11	s	CAPACITOR,ELECT 1000MF
C650	1-107-907-11	s	CAPACITOR,ELECT 22MF/50V
C651	1-107-907-11	s	CAPACITOR,ELECT 22MF/50V
C652	1-107-909-11	s	CAPACITOR,ELECT 47MF/50V
C654	1-107-914-11	s	CAPACITOR,ELECT 1000MF/50V
C655	1-107-909-11	s	CAPACITOR,ELECT 47MF/50V
C656	1-107-906-11	s	CAPACITOR,ELECT 10MF/50V(105)
C658	1-107-882-11	s	CAPACITOR,ELECT 100MF 16V
C660	1-115-766-51	s	CAPACITOR,ELECT.2200MF/16V
C661	1-107-909-11	s	CAPACITOR,ELECT 47MF/50V
C662	1-107-904-11	s	CAPACITOR,ELECT 3.3MF/50V
C663	△ 1-113-907-51	s	CAPACITOR, CERAMIC 2200PF/250V
C699	1-107-846-11	s	CAPACITOR FILM 0.10MF/400V(S)
C1601	1-107-882-11	s	CAPACITOR,ELECT 100MF 16V
C1602	1-163-021-91	s	CAPACITOR, CERAMIC 0.01MF/50V
C1603	1-107-906-11	s	CAPACITOR,ELECT 10MF/50V(105)
C1604	1-107-886-11	s	CAPACITOR ELECT 4700MF/16V(105)
CN501	1-537-864-11	o	PIN, POST
CN502	1-564-509-11	o	PLUG,CONNECTOR (6P)
CN503	1-764-334-11	s	PIN,CONNECTOR(11P)(V-TYPE)
CN508	1-564-508-11	o	PLUG,CONNECTOR (5P)
CN509	1-695-915-11	s	TAB (CONTACT)
CN601	1-691-960-11	o	PIN,CONNECTOR (PC BOARD) 3P
CN602	1-695-561-11	o	PIN,CONNECTOR (PC BOARD) 7P
CN603	1-766-241-11	o	PIN, CONNECTOR 3P
CN604	1-564-509-11	o	PLUG,CONNECTOR (6P)
CN605	1-564-512-11	o	PLUG,CONNECTOR (9P)
CN606	1-794-956-11	o	PIN, CONNECTOR (PC BOARD) 7P
CN607	1-691-096-11	o	PIN,CONNECTOR (PC BOARD) 8P
CN608	1-508-786-00	o	2P PLUG
CN1606	1-564-507-11	o	PLUG,CONNECTOR (4P)

(G BOARD(FOR PVM-14L5/D14L5A))

Ref. No. or Q'ty	Part No.	SP	Description
CN1607	1-564-509-11	o	PLUG,CONNECTOR (6P)
CN1608	1-564-507-11	o	PLUG,CONNECTOR (4P)
CN1609	1-564-508-11	o	PLUG,CONNECTOR (5P)
CN1610	1-564-508-11	o	PLUG,CONNECTOR (5P)
D501	8-719-302-43	s	DIODE EL1Z (RECTI)
D502	8-719-073-01	s	DIODE MA111-(K8).SO
D504	8-719-110-31	s	DIODE RD12ESB2
D505	8-719-073-01	s	DIODE MA111-(K8).SO
D506	8-719-073-01	s	DIODE MA111-(K8).SO
D507	8-719-073-01	s	DIODE MA111-(K8).SO
D508	8-719-929-15	s	DIODE HZS9.1NB2
D509	8-719-028-45	s	DIODE D2L20U
D510	8-719-073-01	s	DIODE MA111-(K8).SO
D511	8-719-073-01	s	DIODE MA111-(K8).SO
D512	8-719-073-01	s	DIODE MA111-(K8).SO
D514	8-719-073-01	s	DIODE MA111-(K8).SO
D515	8-719-028-72	s	DIODE RGP02-17EL-6433
D516	8-719-073-01	s	DIODE MA111-(K8).SO
D517	8-719-109-89	s	DIODE RD5.6ES-B2
D601	8-719-073-01	s	DIODE MA111-(K8).SO
D602	8-719-037-54	s	DIODE RD30SB-T1
D603	△ 8-719-510-53	s	DIODE D4SB60L
D604	8-719-073-01	s	DIODE MA111-(K8).SO
D605	8-719-028-72	s	DIODE RGP02-17EL-6433
D606	8-719-110-31	s	DIODE RD12ESB2
D607	8-719-073-01	s	DIODE MA111-(K8).SO
D608	8-719-304-63	s	DIODE RM11C (RECTI)
D609	8-719-110-67	s	DIODE RD27ES-B2
D610	8-719-073-01	s	DIODE MA111-(K8).SO
D611	8-719-988-55	s	DIODE RGP15K-6179
D612	8-719-979-58	s	DIODE EGP10D
D613	8-719-051-96	s	DIODE FMG-G2CS
D614	8-719-510-41	s	DIODE D10SC9M
D615	8-719-058-38	s	DIODE FMN-G12S
D616	8-719-510-41	s	DIODE D10SC9M
D617	8-719-058-38	s	DIODE FMN-G12S
D618	8-719-058-38	s	DIODE FMN-G12S
D619	8-719-029-04	s	DIODE D5L60
D620	8-719-110-48	s	DIODE RD18ES-B1
D621	8-719-073-01	s	DIODE MA111-(K8).SO
D622	8-719-110-31	s	DIODE RD12ESB2
D623	8-719-979-58	s	DIODE EGP10D
D624	8-719-110-53	s	DIODE RD20ES-B2
D625	8-719-073-01	s	DIODE MA111-(K8).SO
D626	8-719-073-01	s	DIODE MA111-(K8).SO
D627	8-719-911-19	s	DIODE 1SS119-25
D628	8-719-510-41	s	DIODE D10SC9M
D629	8-719-979-58	s	DIODE EGP10D
D630	8-719-979-58	s	DIODE EGP10D
D631	8-719-073-01	s	DIODE MA111-(K8).SO
D632	8-719-073-01	s	DIODE MA111-(K8).SO
D1601	8-719-109-98	s	DIODE RD6.8ES-B3
F601	△ 1-576-231-11	s	FUSE(H.B.C)(4A/250V)
FB501	1-410-397-21	s	FERRITE BEAD INDUCTOR
FB502	1-410-397-21	s	FERRITE BEAD INDUCTOR
FB603	1-410-397-21	s	FERRITE BEAD INDUCTOR
FB604	1-410-397-21	s	FERRITE BEAD INDUCTOR
FB605	1-410-397-21	s	FERRITE BEAD INDUCTOR

(G BOARD(FOR PVM-14L5/D14L5A))

Ref. No. or Q'ty	Part No.	SP	Description
FB606	1-410-397-21	s	FERRITE BEAD INDUCTOR
FB607	1-410-397-21	s	FERRITE BEAD INDUCTOR
FB608	1-410-397-21	s	FERRITE BEAD INDUCTOR
FB609	1-410-397-21	s	FERRITE BEAD INDUCTOR
FB610	1-410-397-21	s	FERRITE BEAD INDUCTOR
FB611	1-410-397-21	s	FERRITE BEAD INDUCTOR
FB612	1-410-397-21	s	FERRITE BEAD INDUCTOR
FB613	1-410-397-21	s	FERRITE BEAD INDUCTOR
FB614	1-410-397-21	s	FERRITE BEAD INDUCTOR
FB615	1-410-397-21	s	FERRITE BEAD INDUCTOR
FH601	1-533-223-11	s	CLIP,FUSE
FH602	1-533-223-11	s	CLIP,FUSE
IC502	8-759-988-13	s	IC LM393PS
IC503	8-759-140-85	s	IC UPC1093J
IC504	8-759-467-94	s	IC LM358D
IC505	8-759-140-85	s	IC UPC1093J
IC601	8-749-015-89	s	IC MZ1530
IC602	8-759-544-51	s	IC UPC1905GS-E2
IC603	8-749-920-61	s	IC SE135N (HYBRID)
IC604	8-759-394-35	s	IC BA12T
IC605	8-759-450-47	s	IC BA05T
IC606	8-759-450-47	s	IC BA05T
IC607	8-759-929-64	s	IC LM7905CT
IC608	8-759-701-88	s	IC NJM7912FA
IC609	8-759-592-79	s	IC BA00AST
L501	1-412-525-31	s	MICRO INDUCTOR 10UH
L601	1-406-976-11	s	COIL, CHOKE 68UH
L602	△ 1-419-126-11	s	COIL, CHOKE (AFC) 216UH
L603	1-412-525-31	s	MICRO INDUCTOR 10UH
L604	1-412-525-31	s	MICRO INDUCTOR 10UH
NL501	1-519-526-11	s	LAMP,NEON
PH601	△ 8-749-010-64	s	PHOTO COUPLER PC123F2
PH602	△ 8-749-010-64	s	PHOTO COUPLER PC123F2
Q501	8-729-026-49	s	TRANSISTOR 2SA1037AK-T146-R
Q502	8-729-026-49	s	TRANSISTOR 2SA1037AK-T146-R
Q503	8-729-120-28	s	TRANSISTOR 2SC1623-L5L6
Q504	8-729-117-11	s	TRANSISTOR 2SB1151
Q505	8-729-820-53	s	TRANSISTOR 2SD1683-T
Q506	8-729-026-49	s	TRANSISTOR 2SA1037AK-T146-R
Q507	8-729-019-85	s	TRANSISTOR 2SC3392-5-TB
Q508	8-729-044-21	s	TRANSISTOR 2SK2655-01R-F165
Q509	8-729-020-07	s	TRANSISTOR 2SC4686A(LBSONY)
Q510	8-729-020-07	s	TRANSISTOR 2SC4686A(LBSONY)
Q511	8-729-015-28	s	TRANSISTOR IRFI9630GS
Q513	8-729-119-80	s	TRANSISTOR 2SC2688-LK
Q601	1-801-806-11	s	TRANSISTOR DTC144EKA
Q602	8-729-120-28	s	TRANSISTOR 2SC1623-L5L6
Q603	8-729-423-33	s	TRANSISTOR 2SC3311A-QRSTA
Q604	8-729-120-28	s	TRANSISTOR 2SC1623-L5L6
Q605	8-729-033-26	s	TRANSISTOR DTA114GKAT146
Q606	8-729-033-93	s	TRANSISTOR FS10SM-18A
Q607	8-729-033-26	s	TRANSISTOR DTA114GKAT146
Q608	8-729-200-17	s	TRANSISTOR 2SA1091-0
Q609	8-729-033-26	s	TRANSISTOR DTA114GKAT146
Q610	8-729-033-24	s	TRANSISTOR DTC114GKAT146
Q611	8-729-033-24	s	TRANSISTOR DTC114GKAT146
Q612	8-729-033-26	s	TRANSISTOR DTA114GKAT146

(G BOARD(FOR PVM-14L5/D14L5A))

Ref. No. or Q'ty	Part No.	SP	Description
Q613	1-801-806-11	s	TRANSISTOR DTC144EKA
Q614	8-729-140-96	s	TRANSISTOR 2SD774-34
Q615	8-729-027-54	s	TRANSISTOR DTC124XKA-T146
Q616	8-729-120-28	s	TRANSISTOR 2SC1623-L5L6
Q617	8-729-119-78	s	TRANSISTOR 2SC2785-HFE
Q618	8-729-201-53	s	TRANSISTOR 2SA1015-GR
Q1615	8-729-018-99	s	TRANSISTOR 2SD2394-F
Q1616	8-729-900-53	s	TRANSISTOR DTC114EK
Q1618	8-729-900-53	s	TRANSISTOR DTC114EK
Q1621	8-729-900-53	s	TRANSISTOR DTC114EK
R509	1-249-381-11	s	RES,CARBON 1 (1/4W)
R510	1-216-698-11	s	RESISTOR,CHIP 91K 1/10W(2012)
R511	1-216-684-91	s	RESISTOR,CHIP 24K 1/10W
R514	1-216-675-11	s	RESISTOR,CHIP 10K 1/10W(2012)
R515	1-216-675-11	s	RESISTOR,CHIP 10K 1/10W(2012)
R516	1-216-643-11	s	RESISTOR,CHIP 470 1/10W (2012)
R517	1-215-911-11	s	RESISTOR,METAL FILM 100/3W
R518	1-216-073-00	s	RESISTOR,CHIP 10K 1/10W(2012)
R519	1-208-610-11	s	RESISTOR, METAL FILM 2M
R520	1-208-612-11	s	RESISTOR, METAL FILM 10M
R521	1-249-417-11	s	RESISTOR,CARBON 1K 1/4W(SMALL)
R522	1-216-001-00	s	RESISTOR, CHIP 10 1/10W(2012)
R523	1-216-073-00	s	RESISTOR,CHIP 10K 1/10W(2012)
R524	1-249-377-11	s	RES,CARBON 0.47 1/4W
R525	1-216-081-00	s	RESISTOR,CHIP 22K 1/10W(2012)
R526	1-216-667-11	s	RESISTOR,CHIP 4.7K 1/10W(2012)
R527	1-216-667-11	s	RESISTOR,CHIP 4.7K 1/10W(2012)
R528	1-216-669-11	s	RESISTOR,CHIP 5.6K 1/10W(2012)
R529	1-216-667-11	s	RESISTOR,CHIP 4.7K 1/10W(2012)
R530	1-216-667-11	s	RESISTOR,CHIP 4.7K 1/10W(2012)
R531	1-216-657-11	s	RESISTOR,CHIP 1.8K 1/10W(2012)
R532	1-216-065-91	s	RESISTOR,CHIP 4.7K 1/10W(2012)
R534	1-249-397-11	s	RES,CARBON 22 1/4W (SMALL)
R535	1-249-401-11	s	RES,CARBON 47 1/4W (SMALL)
R536	1-249-397-11	s	RES,CARBON 22 1/4W (SMALL)
R537	1-216-049-11	s	RESISTOR, CHIP 1K 1/10W(2012)
R538	1-216-065-91	s	RESISTOR,CHIP 4.7K 1/10W(2012)
R539	1-216-051-00	s	RESISTOR,CHIP 1.2K 1/10W(2012)
R540	1-216-053-00	s	RESISTOR CHIP 1.5K 1/10W(2012)
R541	1-216-097-00	s	RESISTOR CHIP 100K 1/10W(2012)
R542	1-208-610-11	s	RESISTOR, METAL FILM 2M
R543	1-216-069-00	s	RESISTOR,CHIP 6.8K 1/10W(2012)
R544	1-216-035-00	s	RESISTOR, CHIP 270 1/10W(2012)
R545	1-216-663-11	s	RESISTOR,CHIP 3.3K 1/10W(2012)
R546	1-216-675-11	s	RESISTOR,CHIP 10K 1/10W(2012)
R547	1-216-643-11	s	RESISTOR,CHIP 470 1/10W (2012)
R548	1-216-669-11	s	RESISTOR,CHIP 5.6K 1/10W(2012)
R549	1-216-073-00	s	RESISTOR,CHIP 10K 1/10W(2012)
R551	1-216-675-11	s	RESISTOR,CHIP 10K 1/10W(2012)
R552	1-216-663-11	s	RESISTOR,CHIP 3.3K 1/10W(2012)
R553	1-216-073-00	s	RESISTOR,CHIP 10K 1/10W(2012)
R555	1-216-689-11	s	RESISTOR,CHIP 39K 1/10W(2012)
R556	9-910-999-33	s	DELETED FROM RP MASTER
R557	1-216-073-00	s	RESISTOR,CHIP 10K 1/10W(2012)
R561	1-216-049-11	s	RESISTOR, CHIP 1K 1/10W(2012)
R563	1-219-689-11	s	RESISTOR HIGH POWER METAL 3.3K
R565	1-216-295-91	s	CONDUCTOR, CHIP (2012)
R566	1-249-407-11	s	RES,CARBON 150 1/4W (SMALL)
R601	△ 1-219-510-11	s	RESISTOR 470K 1/2W (SURGE)

(G BOARD(FOR PVM-14L5/D14L5A))

Ref. No. or Q'ty	Part No.	SP	Description
R602	△ 1-219-513-11	s	RESISTOR 4.7M 1/2W (SURGE)
R603	△ 1-219-513-11	s	RESISTOR 4.7M 1/2W (SURGE)
R604	1-260-081-11	s	RESISTOR,CARBON 33 1/2W(SMALL)
R605	1-215-891-11	s	RESISTOR,METAL FILM 680/2W
R606	1-216-097-00	s	RESISTOR CHIP 100K 1/10W(2012)
R607	1-216-073-00	s	RESISTOR,CHIP 10K 1/10W(2012)
R608	1-216-095-00	s	RESISTOR, CHIP 82K 1/10W(2012)
R609	1-240-251-11	s	RESISTOR,CEMENT 6.8/10W
R610	1-216-065-91	s	RESISTOR,CHIP 4.7K 1/10W(2012)
R611	1-216-089-91	s	RESISTOR, CHIP 47K 1/10W(2012)
R612	1-216-089-91	s	RESISTOR, CHIP 47K 1/10W(2012)
R613	1-216-073-00	s	RESISTOR,CHIP 10K 1/10W(2012)
R614	1-216-049-11	s	RESISTOR, CHIP 1K 1/10W(2012)
R615	1-207-615-00	s	RESISTOR WIREWOUND 0.33/3W
R616	1-207-615-00	s	RESISTOR WIREWOUND 0.33/3W
R617	1-216-081-00	s	RESISTOR,CHIP 22K 1/10W(2012)
R618	1-216-081-00	s	RESISTOR,CHIP 22K 1/10W(2012)
R619	1-216-073-00	s	RESISTOR,CHIP 10K 1/10W(2012)
R620	1-218-756-11	s	RESISTOR,CHIP 150K 1/10W(2012)
R621	1-216-043-91	s	RESISTOR, CHIP 560 1/10W(2125)
R622	1-216-675-11	s	RESISTOR,CHIP 10K 1/10W(2012)
R623	1-202-933-61	s	RESISTOR, FUSE 0.1 1/2W
R624	1-216-073-00	s	RESISTOR,CHIP 10K 1/10W(2012)
R625	1-216-057-00	s	RESISTOR CHIP 2.2K 1/10W(2012)
R626	1-215-857-11	s	RESISTOR,METAL 10/1W
R627	1-215-863-11	s	RESISTOR,METAL 100/1W
R628	1-220-890-11	s	RESISTOR,METAL PLATE 0.22/3W
R629	1-215-927-00	s	RESISTOR,METAL FILM 47K/3W
R630	1-215-927-00	s	RESISTOR,METAL FILM 47K/3W
R631	1-216-029-00	s	RESISTOR,CHIP 150 1/10W(2012)
R632	1-202-933-61	s	RESISTOR, FUSE 0.1 1/2W
R633	1-220-926-21	s	RESISTOR FUSE 0.47 1/2W
R634	1-202-933-61	s	RESISTOR, FUSE 0.1 1/2W
R635	1-202-933-61	s	RESISTOR, FUSE 0.1 1/2W
R636	1-202-933-61	s	RESISTOR, FUSE 0.1 1/2W
R637	1-202-933-61	s	RESISTOR, FUSE 0.1 1/2W
R638	1-216-097-00	s	RESISTOR CHIP 100K 1/10W(2012)
R639	1-216-049-11	s	RESISTOR, CHIP 1K 1/10W(2012)
R640	1-216-041-00	s	RESISTOR, CHIP 470 1/10W(2012)
R641	1-202-933-61	s	RESISTOR, FUSE 0.1 1/2W
R642	1-240-261-11	s	RESISTOR CEMENT 0.56
R643	1-240-261-11	s	RESISTOR CEMENT 0.56
R644	1-216-691-11	s	RESISTOR,CHIP 47K 1/10W(2012)
R645	1-218-764-11	s	RESISTOR,CHIP 330K 1/10W(2012)
R646	1-218-766-11	s	RESISTOR CHIP 390K1/10W(2012)
R647	1-216-653-11	s	RESISTOR,CHIP 1.2K 1/10W(2012)
R648	1-216-679-11	s	RESISTOR,CHIP 15K 1/10W (2012)
R649	1-218-756-11	s	RESISTOR,CHIP 150K 1/10W(2012)
R650	1-216-387-11	s	RESISTOR,METAL FILM 0.68/3W
R651	1-216-073-00	s	RESISTOR,CHIP 10K 1/10W(2012)
R652	1-216-113-00	s	RESISTOR CHIP 470K 1/10W(2012)
R653	1-216-101-00	s	RESISTOR CHIP 150K 1/10W(2012)
R654	1-216-651-11	s	RESISTOR,CHIP 1K 1/10W(2012)
R655	1-216-651-11	s	RESISTOR,CHIP 1K 1/10W(2012)
R656	1-216-081-00	s	RESISTOR,CHIP 22K 1/10W(2012)
R657	1-216-492-11	s	RESISTOR,METAL FILM 82K/3W
R658	1-216-492-11	s	RESISTOR,METAL FILM 82K/3W
R659	1-215-929-11	s	RESISTOR,METAL FILM 100K/3W
R660	1-249-417-11	s	RESISTOR,CARBON 1K 1/4W(SMALL)

(G BOARD(FOR PVM-14L5/D14L5A))

Ref. No. or Q'ty	Part No.	SP	Description
R661	1-216-660-11	s	RESISTOR,CHIP 2.4K 1/10W(2012)
R662	1-216-675-11	s	RESISTOR,CHIP 10K 1/10W(2012)
R663	1-216-057-00	s	RESISTOR CHIP 2.2K 1/10W(2012)
R664	1-215-860-11	s	RESISTOR,METAL FILM 33/1W
R665	1-205-998-11	s	RESISTOR CEMENT 1.0/10W
R666	1-215-929-11	s	RESISTOR,METAL FILM 100K/3W
R667	1-202-933-61	s	RESISTOR, FUSE 0.1 1/2W
R668	1-249-385-11	s	RES,CARBON 2.2 1/4W
R669	1-216-117-00	s	RESISTOR,CHIP 680K 1/10W(2012)
R670	1-216-295-91	s	CONDUCTOR, CHIP (2012)
R671	1-216-121-00	s	RESISTOR CHIP 1M 1/10W(2012)
R672	1-216-073-00	s	RESISTOR,CHIP 10K 1/10W(2012)
R673	1-216-039-00	s	RESISTOR, CHIP 390 1/10W(2012)
R674	1-202-933-61	s	RESISTOR, FUSE 0.1 1/2W
R675	1-202-933-61	s	RESISTOR, FUSE 0.1 1/2W
R676	1-249-381-11	s	RES,CARBON 1 (1/4W)
R1613	1-216-029-00	s	RESISTOR,CHIP 150 1/10W(2012)
R1615	1-216-033-00	s	RESISTOR,CHIP 220 1/10W(2012)
R1617	1-216-037-00	s	RESISTOR,CHIP 330 1/10W(2012)
R1619	1-216-033-00	s	RESISTOR,CHIP 220 1/10W(2012)
R1621	1-249-401-11	s	RES,CARBON 47 1/4W (SMALL)
R1622	1-216-389-11	s	RESISTOR,METAL FILM 1/3W
RY601	△ 1-755-318-11	s	RELAY, POWER
RY602	1-755-318-11	s	RELAY, POWER
T501	1-424-555-11	s	TRANSFORMER,FERRITE(DFT)
T502	△ 8-598-805-10	s	FBT ASSY NX-4141//M
T503	1-423-855-11	s	TRANSFORMER, FERRITE (HRT)
T601	△ 1-429-180-11	s	TRANSFORMER, LINE FILTER
T602	△ 1-437-470-11	s	TRANSFORMER, CONVERTER (SRT)
THP601	△ 1-809-827-11	s	THERMISTOR,POSITIVE
VDR601	△ 1-810-622-11	s	VARISTOR
VDR602	△ 1-801-268-51	s	VARISTOR ERZV14D471
VDR603	△ 1-801-268-51	s	VARISTOR ERZV14D471

G BOARD(FOR PVM-20L5/D20L5A)

Ref. No. or Q'ty	Part No.	SP Description
1pc	8-330-030-43	s MOUNTED CIRCUIT BOARD, G
C504	1-163-031-11	s CAPACITOR, CHIP CERAMIC 0.01MF
C505	1-163-021-91	s CAPACITOR, CERAMIC 0.01MF/50V
C506	1-163-021-91	s CAPACITOR, CERAMIC 0.01MF/50V
C507	1-163-021-91	s CAPACITOR, CERAMIC 0.01MF/50V
C508	1-107-902-11	s CAPACITOR,ELECT 1MF/50V
C509	1-107-362-11	s CAPACITOR,PETP FILM .0047/200V
C510	1-136-541-11	s CAPACITOR,FILM 1.5MF/200VDC
C511	1-163-021-91	s CAPACITOR, CERAMIC 0.01MF/50V
C512	1-102-030-00	s CAPACITOR,CERAMIC;500V/330PF
C513	1-115-350-51	s CAPACITOR, CERAMIC 4700PF F
C514	1-136-044-00	s CAPACITOR FILM 1700PF/1.6KVH
C515	1-104-569-11	s CAPACITOR CERAMIC 680PF/2KVDC
C516	1-164-004-11	s CAPACITOR,CERAMIC 0.1MF/25V
C517	1-163-263-11	s CAPACITOR CERAMIC 330PF/50V
C518	1-110-641-51	s CAPACITOR, ELECT 33MF/200V
C519	1-102-030-00	s CAPACITOR,CERAMIC;500V/330PF
C520	1-107-364-11	s CAPACITOR,FILM 0.01MF/200VPET
C521	1-107-364-11	s CAPACITOR,FILM 0.01MF/200VPET
C522	1-107-682-11	s CAPACITOR,CHIP 1MF/16V (3216)
C523	1-163-809-11	s CAPACITOR,CHIP CERAMIC 0.047MF
C524	1-107-682-11	s CAPACITOR,CHIP 1MF/16V (3216)
C526	1-163-038-00	s CAPACITOR, CERAMIC 0.1MF/25V
C527	1-163-227-11	s CAPACITOR CERAMIC 10PF/50V(CH)
C529	1-163-021-91	s CAPACITOR, CERAMIC 0.01MF/50V
C530	1-163-021-91	s CAPACITOR, CERAMIC 0.01MF/50V
C531	1-107-906-11	s CAPACITOR,ELECT 10MF/50V(105)
C532	1-107-682-11	s CAPACITOR,CHIP 1MF/16V (3216)
C533	1-107-906-11	s CAPACITOR,ELECT 10MF/50V(105)
C534	1-163-021-91	s CAPACITOR, CERAMIC 0.01MF/50V
C535	1-107-682-11	s CAPACITOR,CHIP 1MF/16V (3216)
C536	1-106-383-00	s CAPACITOR FILM 0.047MF/200V
C537	1-163-021-91	s CAPACITOR, CERAMIC 0.01MF/50V
C538	1-128-526-11	s CAPACITOR,ELECT 100MF/25V
C539	1-128-526-11	s CAPACITOR,ELECT 100MF/25V
C540	1-128-526-11	s CAPACITOR,ELECT 100MF/25V
C541	1-163-021-91	s CAPACITOR, CERAMIC 0.01MF/50V
C542	1-163-021-91	s CAPACITOR, CERAMIC 0.01MF/50V
C543	1-128-526-11	s CAPACITOR,ELECT 100MF/25V
C545	1-163-251-11	s CAPACITOR CERAMIC 100PF/50V
C546	1-107-906-11	s CAPACITOR,ELECT 10MF/50V(105)
C601	△ 1-113-903-11	s CAPACITOR,CERAMIC .001MF/250V
C602	△ 1-107-533-11	s CAPACITOR FILM 1MF/250VAC
C603	△ 1-113-903-11	s CAPACITOR,CERAMIC .001MF/250V
C604	△ 1-113-926-11	s CAPACITOR,CERAMIC 4700PF/250V
C605	△ 1-113-926-11	s CAPACITOR,CERAMIC 4700PF/250V
C606	1-107-910-11	s CAPACITOR,ELECT 100MF/50V
C607	1-164-004-11	s CAPACITOR,CERAMIC 0.1MF/25V
C608	1-137-479-11	s CAPASITOR FILM 1MF/400V
C609	1-107-907-11	s CAPACITOR,ELECT 22MF/50V
C610	1-163-021-91	s CAPACITOR, CERAMIC 0.01MF/50V
C611	1-107-906-11	s CAPACITOR,ELECT 10MF/50V(105)
C612	1-102-973-00	s CAPACITOR,CERAMIC 100PF/50V
C613	1-163-021-91	s CAPACITOR, CERAMIC 0.01MF/50V
C614	1-164-005-11	s CAPACITOR,CERAMIC 0.47MF/25V
C615	1-107-910-11	s CAPACITOR,ELECT 100MF/50V
C616	1-107-903-11	s CAPACITOR,ELECT 2.2MF/50V
C617	1-113-711-11	s CAPACITOR, ELECT 330MF/450V

(G BOARD(FOR PVM-20L5/D20L5A))

Ref. No. or Q'ty	Part No.	SP Description
C618	1-163-139-00	s CAPACITOR,CHIP CERAMIC 820PF
C619	1-107-905-11	s CAPACITOR,ELECT 4.7MF/50V
C620	1-163-021-91	s CAPACITOR, CERAMIC 0.01MF/50V
C621	1-104-760-11	s CAPACITOR CERAMIC 0.047MF/50V
C622	1-129-722-00	s CAPACITOR,FILM 0.047MF/630V
C623	1-104-760-11	s CAPACITOR CERAMIC 0.047MF/50V
C624	1-107-911-11	s CAPACITOR,ELECT 220MF/50V
C626	1-162-117-00	s CAPACITOR,CERAMIC 100PF/500V B
C627	1-107-965-11	s CAPACITOR,ELECT 100MF/250V
C628	1-162-117-00	s CAPACITOR,CERAMIC 100PF/500V B
C629	1-162-117-00	s CAPACITOR,CERAMIC 100PF/500V B
C630	1-107-890-11	s CAPACITOR ELECT 2200MF/25V
C631	1-115-766-51	s CAPACITOR,ELECT 2200MF/16V
C632	1-111-066-11	s CAPACITOR,ELECT 820MF/25V 105
C633	1-163-021-91	s CAPACITOR, CERAMIC 0.01MF/50V
C634	1-107-906-11	s CAPACITOR,ELECT 10MF/50V(105)
C635	1-107-892-11	s CAPACITOR, ELECT 4700MF25V
C636	1-107-890-11	s CAPACITOR ELECT 2200MF/25V
C637	1-107-886-11	s CAPACITOR ELECT 4700MF/16V(105)
C638	1-115-766-51	s CAPACITOR,ELECT 2200MF/16V
C639	1-128-339-11	s CAPACITOR,ELECT 2200MF/16V
C642	1-128-339-11	s CAPACITOR,ELECT 2200MF/16V
C643	1-107-914-11	s CAPACITOR,ELECT 1000MF/50V
C644	1-107-877-11	s CAPACITOR, ELECT 1000MF/10V
C645	1-107-877-11	s CAPACITOR, ELECT 1000MF/10V
C646	1-128-339-11	s CAPACITOR,ELECT 2200MF/16V
C647	1-107-877-11	s CAPACITOR, ELECT 1000MF/10V
C648	1-162-117-00	s CAPACITOR,CERAMIC 100PF/500V B
C649	1-165-894-11	s CAPACITOR,ELECT 1000MF
C650	1-107-907-11	s CAPACITOR,ELECT 22MF/50V
C651	1-107-907-11	s CAPACITOR,ELECT 22MF/50V
C652	1-107-909-11	s CAPACITOR,ELECT 47MF/50V
C654	1-107-914-11	s CAPACITOR,ELECT 1000MF/50V
C655	1-107-909-11	s CAPACITOR,ELECT 47MF/50V
C656	1-107-906-11	s CAPACITOR,ELECT 10MF/50V(105)
C658	1-107-882-11	s CAPACITOR,ELECT 100MF 16V
C660	1-115-766-51	s CAPACITOR,ELECT.2200MF/16V
C661	1-107-909-11	s CAPACITOR,ELECT 47MF/50V
C662	1-107-904-11	s CAPACITOR,ELECT 3.3MF/50V
C663	△ 1-113-907-51	s CAPACITOR, CERAMIC 2200PF/250V
C699	1-107-846-11	s CAPACITOR FILM 0.10MF/400V(S)
C1601	1-107-882-11	s CAPACITOR,ELECT 100MF 16V
C1602	1-163-021-91	s CAPACITOR, CERAMIC 0.01MF/50V
C1603	1-107-906-11	s CAPACITOR,ELECT 10MF/50V(105)
C1604	1-107-886-11	s CAPACITOR ELECT 4700MF/16V(105)
CN501	1-537-864-11	o PIN, POST
CN502	1-564-509-11	o PLUG,CONNECTOR (6P)
CN503	1-764-334-11	s PIN,CONNECTOR(11P)(V-TYPE)
CN507	1-564-507-11	o PLUG,CONNECTOR (4P)
CN508	1-564-508-11	o PLUG,CONNECTOR (5P)
CN509	1-695-915-11	s TAB (CONTACT)
CN601	1-691-960-11	o PIN,CONNECTOR (PC BOARD) 3P
CN602	1-695-561-11	o PIN,CONNECTOR (PC BOARD) 7P
CN603	1-766-241-11	o PIN, CONNECTOR 3P
CN604	1-564-509-11	o PLUG,CONNECTOR (6P)
CN605	1-564-512-11	o PLUG,CONNECTOR (9P)
CN606	1-794-956-11	o PIN, CONNECTOR (PC BOARD) 7P
CN607	1-691-096-11	o PIN,CONNECTOR (PC BOARD) 8P
CN608	1-508-786-00	o 2P PLUG

(G BOARD(FOR PVM-20L5/D20L5A))

Ref. No. or Q'ty	Part No.	SP	Description	
CN1606	1-564-507-11	o	PLUG,CONNECTOR (4P)	
CN1607	1-564-509-11	o	PLUG,CONNECTOR (6P)	
CN1608	1-564-507-11	o	PLUG,CONNECTOR (4P)	
CN1609	1-564-508-11	o	PLUG,CONNECTOR (5P)	
CN1610	1-564-508-11	o	PLUG,CONNECTOR (5P)	
D501	8-719-302-43	s	DIODE EL1Z	(RECTI)
D502	8-719-073-01	s	DIODE MA111-(K8).SO	
D504	8-719-110-31	s	DIODE RD12ESB2	
D505	8-719-073-01	s	DIODE MA111-(K8).SO	
D506	8-719-073-01	s	DIODE MA111-(K8).SO	
D507	8-719-073-01	s	DIODE MA111-(K8).SO	
D508	8-719-929-15	s	DIODE HZS9.1NB2	
D509	8-719-028-45	s	DIODE D2L20U	
D510	8-719-073-01	s	DIODE MA111-(K8).SO	
D511	8-719-073-01	s	DIODE MA111-(K8).SO	
D512	8-719-073-01	s	DIODE MA111-(K8).SO	
D514	8-719-073-01	s	DIODE MA111-(K8).SO	
D515	8-719-028-72	s	DIODE RGP02-17EL-6433	
D516	8-719-073-01	s	DIODE MA111-(K8).SO	
D517	8-719-109-89	s	DIODE RD5.6ES-B2	
D601	8-719-073-01	s	DIODE MA111-(K8).SO	
D602	8-719-037-54	s	DIODE RD30SB-T1	
D603	△ 8-719-510-53	s	DIODE D4SB60L	
D604	8-719-073-01	s	DIODE MA111-(K8).SO	
D605	8-719-028-72	s	DIODE RGP02-17EL-6433	
D606	8-719-110-31	s	DIODE RD12ESB2	
D607	8-719-073-01	s	DIODE MA111-(K8).SO	
D608	8-719-304-63	s	DIODE RM11C	(RECTI)
D609	8-719-110-67	s	DIODE RD27ES-B2	
D610	8-719-073-01	s	DIODE MA111-(K8).SO	
D611	8-719-988-55	s	DIODE RGP15K-6179	
D612	8-719-979-58	s	DIODE EGP10D	
D613	8-719-051-96	s	DIODE FMG-G2CS	
D614	8-719-510-41	s	DIODE D10SC9M	
D615	8-719-058-38	s	DIODE FMN-G12S	
D616	8-719-510-41	s	DIODE D10SC9M	
D617	8-719-058-38	s	DIODE FMN-G12S	
D618	8-719-058-38	s	DIODE FMN-G12S	
D619	8-719-029-04	s	DIODE D5L60	
D620	8-719-110-48	s	DIODE RD18ES-B1	
D621	8-719-073-01	s	DIODE MA111-(K8).SO	
D622	8-719-110-31	s	DIODE RD12ESB2	
D623	8-719-979-58	s	DIODE EGP10D	
D624	8-719-110-53	s	DIODE RD20ES-B2	
D625	8-719-073-01	s	DIODE MA111-(K8).SO	
D626	8-719-073-01	s	DIODE MA111-(K8).SO	
D627	8-719-911-19	s	DIODE 1SS119-25	
D628	8-719-510-41	s	DIODE D10SC9M	
D629	8-719-979-58	s	DIODE EGP10D	
D630	8-719-979-58	s	DIODE EGP10D	
D631	8-719-073-01	s	DIODE MA111-(K8).SO	
D632	8-719-073-01	s	DIODE MA111-(K8).SO	
D1601	8-719-109-98	s	DIODE RD6.8ES-B3	
F601	△ 1-576-231-11	s	FUSE(H.B.C) (4A/250V)	
FB501	1-410-397-21	s	FERRITE BEAD INDUCTOR	
FB502	1-410-397-21	s	FERRITE BEAD INDUCTOR	
FB603	1-410-397-21	s	FERRITE BEAD INDUCTOR	
FB604	1-410-397-21	s	FERRITE BEAD INDUCTOR	

(G BOARD(FOR PVM-20L5/D20L5A))

Ref. No. or Q'ty	Part No.	SP	Description	
FB605	1-410-397-21	s	FERRITE BEAD INDUCTOR	
FB606	1-410-397-21	s	FERRITE BEAD INDUCTOR	
FB607	1-410-397-21	s	FERRITE BEAD INDUCTOR	
FB608	1-410-397-21	s	FERRITE BEAD INDUCTOR	
FB609	1-410-397-21	s	FERRITE BEAD INDUCTOR	
FB610	1-410-397-21	s	FERRITE BEAD INDUCTOR	
FB611	1-410-397-21	s	FERRITE BEAD INDUCTOR	
FB612	1-410-397-21	s	FERRITE BEAD INDUCTOR	
FB613	1-410-397-21	s	FERRITE BEAD INDUCTOR	
FB614	1-410-397-21	s	FERRITE BEAD INDUCTOR	
FB615	1-410-397-21	s	FERRITE BEAD INDUCTOR	
FH601	1-533-223-11	s	CLIP,FUSE	
FH602	1-533-223-11	s	CLIP,FUSE	
IC502	8-759-988-13	s	IC LM393PS	
IC503	8-759-198-31	s	IC UPC1093J-1-T	
IC504	8-759-467-94	s	IC LM358D	
IC505	8-759-140-85	s	IC UPC1093J	
IC601	8-749-015-89	s	IC MZ1530	
IC602	8-759-544-51	s	IC UPC1905GS-E2	
IC603	8-749-920-61	s	IC SE135N	(HYBRID)
IC604	8-759-394-35	s	IC BA12T	
IC605	8-759-450-47	s	IC BA05T	
IC606	8-759-450-47	s	IC BA05T	
IC607	8-759-929-64	s	IC LM7905CT	
IC608	8-759-701-88	s	IC NJM7912FA	
IC609	8-759-592-79	s	IC BA00AST	
L501	1-412-525-31	s	MICRO INDUCTOR 10UH	
L601	1-406-976-11	s	COIL, CHOKE 68UH	
L602	△ 1-419-126-11	s	COIL, CHOKE (AFC) 216UH	
L603	1-412-525-31	s	MICRO INDUCTOR 10UH	
L604	1-412-525-31	s	MICRO INDUCTOR 10UH	
NL501	1-519-526-11	s	LAMP,NEON	
PH601	△ 8-749-010-64	s	PHOTO COUPLER PC123F2	
PH602	△ 8-749-010-64	s	PHOTO COUPLER PC123F2	
Q501	8-729-026-49	s	TRANSISTOR 2SA1037AK-T146-R	
Q502	8-729-026-49	s	TRANSISTOR 2SA1037AK-T146-R	
Q503	8-729-120-28	s	TRANSISTOR 2SC1623-L5L6	
Q504	8-729-117-11	s	TRANSISTOR 2SB1151	
Q505	8-729-820-53	s	TRANSISTOR 2SD1683-T	
Q506	8-729-026-49	s	TRANSISTOR 2SA1037AK-T146-R	
Q507	8-729-019-85	s	TRANSISTOR 2SC3392-5-TB	
Q508	8-729-044-21	s	TRANSISTOR 2SK2655-01R-F165	
Q509	8-729-020-07	s	TRANSISTOR 2SC4686A(LBSONY)	
Q510	8-729-020-07	s	TRANSISTOR 2SC4686A(LBSONY)	
Q511	8-729-015-28	s	TRANSISTOR IRFI9630GS	
Q513	8-729-119-80	s	TRANSISTOR 2SC2688-LK	
Q601	1-801-806-11	s	TRANSISTOR DTC144EKA	
Q602	8-729-120-28	s	TRANSISTOR 2SC1623-L5L6	
Q603	8-729-423-33	s	TRANSISTOR 2SC3311A-QRSTA	
Q604	8-729-120-28	s	TRANSISTOR 2SC1623-L5L6	
Q605	8-729-033-26	s	TRANSISTOR DTA114GKAT146	
Q606	8-729-033-93	s	TRANSISTOR FS10SM-18A	
Q607	8-729-033-26	s	TRANSISTOR DTA114GKAT146	
Q608	8-729-200-17	s	TRANSISTOR 2SA1091-0	
Q609	8-729-033-26	s	TRANSISTOR DTA114GKAT146	
Q610	8-729-033-24	s	TRANSISTOR DTC114GKAT146	

(G BOARD(FOR PVM-20L5/D20L5A))

Ref. No. or Q'ty	Part No.	SP Description
Q611	8-729-033-24	s TRANSISTOR DTC114GKAT146
Q612	8-729-033-26	s TRANSISTOR DTA114GKAT146
Q613	1-801-806-11	s TRANSISTOR DTC144EKA
Q614	8-729-140-96	s TRANSISTOR 2SD774-34
Q615	8-729-027-54	s TRANSISTOR DTC124XKA-T146
Q616	8-729-120-28	s TRANSISTOR 2SC1623-L5L6
Q617	8-729-119-78	s TRANSISTOR 2SC2785-HFE
Q618	8-729-201-53	s TRANSISTOR 2SA1015-GR
Q1615	8-729-018-99	s TRANSISTOR 2SD2394-F
Q1616	8-729-900-53	s TRANSISTOR DTC114EK
Q1618	8-729-900-53	s TRANSISTOR DTC114EK
Q1621	8-729-900-53	s TRANSISTOR DTC114EK
R509	1-249-381-11	s RES,CARBON 1 (1/4W)
R510	1-216-698-11	s RESISTOR,CHIP 91K 1/10W(2012)
R511	1-216-678-11	s RESISTOR,CHIP 13K 1/10W(2012)
R514	1-216-667-11	s RESISTOR,CHIP 4.7K 1/10W(2012)
R515	1-216-675-11	s RESISTOR,CHIP 10K 1/10W(2012)
R516	1-216-643-11	s RESISTOR,CHIP 470 1/10W (2012)
R517	1-215-911-11	s RESISTOR,METAL FILM 100/3W
R518	1-216-073-00	s RESISTOR,CHIP 10K 1/10W(2012)
R519	1-208-610-11	s RESISTOR, METAL FILM 2M
R520	1-208-612-11	s RESISTOR, METAL FILM 10M
R521	1-249-417-11	s RESISTOR,CARBON 1K 1/4W(SMALL)
R522	1-216-001-00	s RESISTOR, CHIP 10 1/10W(2012)
R523	1-216-073-00	s RESISTOR,CHIP 10K 1/10W(2012)
R524	1-249-377-11	s RES,CARBON 0.47 1/4W
R525	1-216-081-00	s RESISTOR,CHIP 22K 1/10W(2012)
R526	1-216-667-11	s RESISTOR,CHIP 4.7K 1/10W(2012)
R527	1-216-667-11	s RESISTOR,CHIP 4.7K 1/10W(2012)
R528	1-216-669-11	s RESISTOR,CHIP 5.6K 1/10W(2012)
R529	1-216-667-11	s RESISTOR,CHIP 4.7K 1/10W(2012)
R530	1-216-667-11	s RESISTOR,CHIP 4.7K 1/10W(2012)
R531	1-216-657-11	s RESISTOR,CHIP 1.8K 1/10W(2012)
R532	1-216-065-91	s RESISTOR,CHIP 4.7K 1/10W(2012)
R534	1-249-393-11	s RES,CARBON 10 1/4W
R535	1-249-397-11	s RES,CARBON 22 1/4W (SMALL)
R536	1-249-393-11	s RES,CARBON 10 1/4W
R537	1-216-049-11	s RESISTOR, CHIP 1K 1/10W(2012)
R538	1-216-073-00	s RESISTOR,CHIP 10K 1/10W(2012)
R539	1-216-051-00	s RESISTOR,CHIP 1.2K 1/10W(2012)
R540	1-216-053-00	s RESISTOR CHIP 1.5K 1/10W(2012)
R541	1-216-097-00	s RESISTOR CHIP 100K 1/10W(2012)
R542	1-208-610-11	s RESISTOR, METAL FILM 2M
R543	1-216-069-00	s RESISTOR,CHIP 6.8K 1/10W(2012)
R544	1-216-035-00	s RESISTOR, CHIP 270 1/10W(2012)
R545	1-216-663-11	s RESISTOR,CHIP 3.3K 1/10W(2012)
R546	1-216-675-11	s RESISTOR,CHIP 10K 1/10W(2012)
R547	1-216-643-11	s RESISTOR,CHIP 470 1/10W (2012)
R548	1-216-669-11	s RESISTOR,CHIP 5.6K 1/10W(2012)
R549	1-216-073-00	s RESISTOR,CHIP 10K 1/10W(2012)
R551	1-216-675-11	s RESISTOR,CHIP 10K 1/10W(2012)
R552	1-216-663-11	s RESISTOR,CHIP 3.3K 1/10W(2012)
R553	1-216-073-00	s RESISTOR,CHIP 10K 1/10W(2012)
R555	1-216-689-11	s RESISTOR,CHIP 39K 1/10W(2012)
R556	9-910-999-33	s DELETED FROM RP MASTER
R557	1-216-073-00	s RESISTOR,CHIP 10K 1/10W(2012)
R561	1-216-049-11	s RESISTOR, CHIP 1K 1/10W(2012)
R563	1-219-689-11	s RESISTOR HIGH POWER METAL 3.3K

(G BOARD(FOR PVM-20L5/D20L5A))

Ref. No. or Q'ty	Part No.	SP Description
R565	1-216-645-11	s RESISTOR,CHIP 560 1/10W(2012)
R566	1-249-407-11	s RES,CARBON 150 1/4W (SMALL)
R567	1-216-097-00	s RESISTOR CHIP 100K 1/10W(2012)
R601	△ 1-219-510-11	s RESISTOR 470K 1/2W (SURGE)
R602	△ 1-219-513-11	s RESISTOR 4.7M 1/2W (SURGE)
R603	△ 1-219-513-11	s RESISTOR 4.7M 1/2W (SURGE)
R604	1-260-081-11	s RESISTOR,CARBON 33 1/2W(SMALL)
R605	1-215-891-11	s RESISTOR,METAL FILM 680/2W
R606	1-216-097-00	s RESISTOR CHIP 100K 1/10W(2012)
R607	1-216-073-00	s RESISTOR,CHIP 10K 1/10W(2012)
R608	1-216-095-00	s RESISTOR, CHIP 82K 1/10W(2012)
R609	1-240-251-11	s RESISTOR,CEMENT 6.8/10W
R610	1-216-065-91	s RESISTOR,CHIP 4.7K 1/10W(2012)
R611	1-216-089-91	s RESISTOR, CHIP 47K 1/10W(2012)
R612	1-216-089-91	s RESISTOR, CHIP 47K 1/10W(2012)
R613	1-216-073-00	s RESISTOR,CHIP 10K 1/10W(2012)
R614	1-216-049-11	s RESISTOR, CHIP 1K 1/10W(2012)
R615	1-207-615-00	s RESISTOR WIREWOUND 0.33/3W
R616	1-207-615-00	s RESISTOR WIREWOUND 0.33/3W
R617	1-216-081-00	s RESISTOR,CHIP 22K 1/10W(2012)
R618	1-216-081-00	s RESISTOR,CHIP 22K 1/10W(2012)
R619	1-216-073-00	s RESISTOR,CHIP 10K 1/10W(2012)
R620	1-218-756-11	s RESISTOR,CHIP 150K 1/10W(2012)
R621	1-216-043-91	s RESISTOR, CHIP 560 1/10W(2125)
R622	1-216-675-11	s RESISTOR,CHIP 10K 1/10W(2012)
R623	1-202-933-61	s RESISTOR, FUSE 0.1 1/2W
R624	1-216-073-00	s RESISTOR,CHIP 10K 1/10W(2012)
R625	1-216-057-00	s RESISTOR CHIP 2.2K 1/10W(2012)
R626	1-215-857-11	s RESISTOR,METAL 10/1W
R627	1-215-863-11	s RESISTOR,METAL 100/1W
R628	1-220-890-11	s RESISTOR,METAL PLATE 0.22/3W
R629	1-215-927-00	s RESISTOR,METAL FILM 47K/3W
R630	1-215-927-00	s RESISTOR,METAL FILM 47K/3W
R631	1-216-029-00	s RESISTOR,CHIP 150 1/10W(2012)
R632	1-202-933-61	s RESISTOR, FUSE 0.1 1/2W
R633	1-220-926-21	s RESISTOR FUSE 0.47 1/2W
R634	1-202-933-61	s RESISTOR, FUSE 0.1 1/2W
R635	1-202-933-61	s RESISTOR, FUSE 0.1 1/2W
R636	1-202-933-61	s RESISTOR, FUSE 0.1 1/2W
R637	1-202-933-61	s RESISTOR, FUSE 0.1 1/2W
R638	1-216-097-00	s RESISTOR CHIP 100K 1/10W(2012)
R639	1-216-049-11	s RESISTOR, CHIP 1K 1/10W(2012)
R640	1-216-041-00	s RESISTOR, CHIP 470 1/10W(2012)
R641	1-202-933-61	s RESISTOR, FUSE 0.1 1/2W
R642	1-240-261-11	s RESISTOR CEMENT 0.56
R643	1-240-261-11	s RESISTOR CEMENT 0.56
R644	1-216-691-11	s RESISTOR,CHIP 47K 1/10W(2012)
R645	1-218-764-11	s RESISTOR,CHIP 330K 1/10W(2012)
R646	1-218-766-11	s RESISTOR CHIP 390K1/10W(2012)
R647	1-216-653-11	s RESISTOR,CHIP 1.2K 1/10W(2012)
R648	1-216-679-11	s RESISTOR,CHIP 15K 1/10W (2012)
R649	1-218-756-11	s RESISTOR,CHIP 150K 1/10W(2012)
R650	1-216-386-11	s RESISTOR,METAL FILM 0.56/3W
R651	1-216-073-00	s RESISTOR,CHIP 10K 1/10W(2012)
R652	1-216-113-00	s RESISTOR CHIP 470K 1/10W(2012)
R653	1-216-101-00	s RESISTOR CHIP 150K 1/10W(2012)
R654	1-216-651-11	s RESISTOR,CHIP 1K 1/10W(2012)
R655	1-216-651-11	s RESISTOR,CHIP 1K 1/10W(2012)
R656	1-216-081-00	s RESISTOR,CHIP 22K 1/10W(2012)

(G BOARD(FOR PVM-20L5/D20L5A))

Ref. No. or Q'ty	Part No.	SP	Description
R657	1-216-492-11	s	RESISTOR,METAL FILM 82K/3W
R658	1-216-492-11	s	RESISTOR,METAL FILM 82K/3W
R659	1-215-929-11	s	RESISTOR,METAL FILM 100K/3W
R660	1-249-417-11	s	RESISTOR,CARBON 1K 1/4W(SMALL)
R661	1-216-660-11	s	RESISTOR,CHIP 2.4K 1/10W(2012)
R662	1-216-675-11	s	RESISTOR,CHIP 10K 1/10W(2012)
R663	1-216-057-00	s	RESISTOR CHIP 2.2K 1/10W(2012)
R664	1-215-860-11	s	RESISTOR,METAL FILM 33/1W
R665	1-205-998-11	s	RESISTOR CEMENT 1.0/10W
R666	1-215-929-11	s	RESISTOR,METAL FILM 100K/3W
R667	1-202-933-61	s	RESISTOR, FUSE 0.1 1/2W
R668	1-249-385-11	s	RES,CARBON 2.2 1/4W
R669	1-216-117-00	s	RESISTOR,CHIP 680K 1/10W(2012)
R670	1-216-295-91	s	CONDUCTOR, CHIP (2012)
R671	1-216-121-00	s	RESISTOR CHIP 1M 1/10W(2012)
R672	1-216-073-00	s	RESISTOR,CHIP 10K 1/10W(2012)
R673	1-216-039-00	s	RESISTOR, CHIP 390 1/10W(2012)
R674	1-202-933-61	s	RESISTOR, FUSE 0.1 1/2W
R675	1-202-933-61	s	RESISTOR, FUSE 0.1 1/2W
R676	1-249-381-11	s	RES,CARBON 1 (1/4W)
R1613	1-216-029-00	s	RESISTOR,CHIP 150 1/10W(2012)
R1615	1-216-033-00	s	RESISTOR,CHIP 220 1/10W(2012)
R1617	1-216-037-00	s	RESISTOR,CHIP 330 1/10W(2012)
R1619	1-216-033-00	s	RESISTOR,CHIP 220 1/10W(2012)
R1621	1-249-401-11	s	RES,CARBON 47 1/4W (SMALL)
R1622	1-216-389-11	s	RESISTOR,METAL FILM 1/3W
RY601	△ 1-755-318-11	s	RELAY, POWER
RY602	1-755-318-11	s	RELAY, POWER
T501	1-424-555-11	s	TRANSFORMER,FERRITE (DFT)
T502	△ 8-598-805-10	s	FBT ASSY NX-4141//M
T503	1-423-855-11	s	TRANSFORMER, FERRITE (HRT)
T601	△ 1-429-180-11	s	TRANSFORMER, LINE FILTER
T602	△ 1-437-470-11	s	TRANSFORMER, CONVERTER (SRT)
THP601	△ 1-809-827-11	s	THERMISTOR,POSITIVE
VDR601	△ 1-810-622-11	s	VARISTOR
VDR602	△ 1-801-268-51	s	VARISTOR ERZV14D471
VDR603	△ 1-801-268-51	s	VARISTOR ERZV14D471

H1 BOARD(FOR PVM-14L5/D14L5A)

Ref. No. or Q'ty	Part No.	SP	Description
lpc	8-330-030-00	s	MOUNTED CIRCUIT BOARD, H1
C2901	1-162-970-11	s	CAPACITOR CERAMIC 0.01MF/25V B
C2902	1-119-667-11	s	CAPACITOR CERAMIC 22MF/10V(F)
CN2901	1-695-440-21	s	PIN, CONNECTOR (PC BOARD) 6P
CN2902	1-750-862-21	s	PIN, CONNECTOR (PC BOARD) 5P
CN2903	1-691-742-11	s	PIN,CONNECTOR(PC BOARD) 4P
D2901	8-719-046-43	s	LED SEL5421E-TH15
D2902	8-719-033-06	s	DIODE SEL5920S
D2903	8-719-033-06	s	DIODE SEL5920S
D2904	8-719-033-06	s	DIODE SEL5920S
D2905	8-719-033-06	s	DIODE SEL5920S
D2906	8-719-033-06	s	DIODE SEL5920S
D2907	8-719-033-06	s	DIODE SEL5920S
D2908	8-719-033-06	s	DIODE SEL5920S
D2909	8-719-033-06	s	DIODE SEL5920S
D2910	8-719-033-06	s	DIODE SEL5920S
D2911	8-719-033-06	s	DIODE SEL5920S
D2912	8-719-033-06	s	DIODE SEL5920S
D2913	8-719-033-06	s	DIODE SEL5920S
D2914	8-719-033-06	s	DIODE SEL5920S
D2915	8-719-033-06	s	DIODE SEL5920S
D2916	8-719-033-06	s	DIODE SEL5920S
D2917	8-719-033-06	s	DIODE SEL5920S
D2918	8-719-033-06	s	DIODE SEL5920S
D2919	8-719-033-06	s	DIODE SEL5920S
D2920	8-719-033-06	s	DIODE SEL5920S
D2921	8-719-033-06	s	DIODE SEL5920S
Q2901	8-729-045-93	o	TRANSISTOR IMZ4T108
Q2902	8-729-045-93	o	TRANSISTOR IMZ4T108
Q2903	8-729-045-93	o	TRANSISTOR IMZ4T108
Q2904	8-729-045-93	o	TRANSISTOR IMZ4T108
Q2905	8-729-045-93	o	TRANSISTOR IMZ4T108
R2901	1-216-818-11	s	RESISTOR, CHIP 560 1/16W 1608
R2902	1-216-833-11	s	RESISTOR,CHIP 10K 1/16W (1608)
R2903	1-216-833-11	s	RESISTOR,CHIP 10K 1/16W (1608)
R2904	1-216-804-11	s	RESISTOR,CHIP 39 1/16W 1608
R2905	1-216-804-11	s	RESISTOR,CHIP 39 1/16W 1608
R2906	1-216-833-11	s	RESISTOR,CHIP 10K 1/16W (1608)
R2907	1-216-826-11	s	RESISTOR,CHIP 2.7K 1/16W(1608)
R2908	1-216-826-11	s	RESISTOR,CHIP 2.7K 1/16W(1608)
R2909	1-216-821-11	s	RESISTOR,CHIP 1.0K 1/16W(1608)
R2910	1-216-804-11	s	RESISTOR,CHIP 39 1/16W 1608
R2911	1-216-804-11	s	RESISTOR,CHIP 39 1/16W 1608
R2912	1-216-820-11	s	RESISTOR, CHIP 820 1/16W 1608
R2913	1-216-820-11	s	RESISTOR, CHIP 820 1/16W 1608
R2914	1-216-804-11	s	RESISTOR,CHIP 39 1/16W 1608
R2915	1-216-804-11	s	RESISTOR,CHIP 39 1/16W 1608
R2916	1-216-833-11	s	RESISTOR,CHIP 10K 1/16W (1608)
R2917	1-216-833-11	s	RESISTOR,CHIP 10K 1/16W (1608)
R2918	1-216-816-11	s	RESISTOR, CHIP 390 1/16W 1608
R2919	1-216-816-11	s	RESISTOR, CHIP 390 1/16W 1608
R2920	1-216-833-11	s	RESISTOR,CHIP 10K 1/16W (1608)
R2921	1-216-804-11	s	RESISTOR,CHIP 39 1/16W 1608
R2922	1-216-804-11	s	RESISTOR,CHIP 39 1/16W 1608
R2923	1-216-821-11	s	RESISTOR,CHIP 1.0K 1/16W(1608)
R2924	1-216-814-11	s	RESISTOR,CHIP 270 1/16W 1608
R2925	1-216-814-11	s	RESISTOR,CHIP 270 1/16W 1608

(H1 BOARD(FOR PVM-14L5/D14L5A))

Ref. No. or Q'ty	Part No.	SP Description
R2926	1-216-804-11	s RESISTOR,CHIP 39 1/16W 1608
R2927	1-216-804-11	s RESISTOR,CHIP 39 1/16W 1608
R2928	1-216-833-11	s RESISTOR,CHIP 10K 1/16W (1608)
R2929	1-216-833-11	s RESISTOR,CHIP 10K 1/16W (1608)
R2930	1-216-804-11	s RESISTOR,CHIP 39 1/16W 1608
R2931	1-216-804-11	s RESISTOR,CHIP 39 1/16W 1608
R2932	1-216-833-11	s RESISTOR,CHIP 10K 1/16W (1608)
R2933	1-216-821-11	s RESISTOR,CHIP 1.0K 1/16W(1608)
R2934	1-216-826-11	s RESISTOR,CHIP 2.7K 1/16W(1608)
R2935	1-216-804-11	s RESISTOR,CHIP 39 1/16W 1608
R2936	1-216-804-11	s RESISTOR,CHIP 39 1/16W 1608
R2937	1-216-833-11	s RESISTOR,CHIP 10K 1/16W (1608)
R2938	1-216-833-11	s RESISTOR,CHIP 10K 1/16W (1608)
R2939	1-216-820-11	s RESISTOR,CHIP 820 1/16W 1608
R2940	1-216-804-11	s RESISTOR,CHIP 39 1/16W 1608
R2941	1-216-804-11	s RESISTOR,CHIP 39 1/16W 1608
R2942	1-216-833-11	s RESISTOR,CHIP 10K 1/16W (1608)
R2943	1-216-821-11	s RESISTOR,CHIP 1.0K 1/16W(1608)
R2944	1-216-816-11	s RESISTOR,CHIP 390 1/16W 1608
R2945	1-216-804-11	s RESISTOR,CHIP 39 1/16W 1608
R2946	1-216-804-11	s RESISTOR,CHIP 39 1/16W 1608
R2947	1-216-814-11	s RESISTOR,CHIP 270 1/16W 1608
R2948	1-216-833-11	s RESISTOR,CHIP 10K 1/16W (1608)
R2949	1-216-833-11	s RESISTOR,CHIP 10K 1/16W (1608)
R2950	1-216-804-11	s RESISTOR,CHIP 39 1/16W 1608
R2951	1-216-804-11	s RESISTOR,CHIP 39 1/16W 1608
R2952	1-216-833-11	s RESISTOR,CHIP 10K 1/16W (1608)
R2953	1-216-821-11	s RESISTOR,CHIP 1.0K 1/16W(1608)
S2901	1-762-357-11	s SWITCH,TACTIL(BRIGHT-)
S2902	1-762-357-11	s SWITCH,TACTIL(PHASE+)
S2903	1-762-357-11	s SWITCH,TACTIL(MENU)
S2904	1-762-357-11	s SWITCH,TACTIL(PHASE-)
S2905	1-762-357-11	s SWITCH,TACTIL(UP)
S2906	1-762-357-11	s SWITCH,TACTIL(CHROMA+)
S2907	1-762-357-11	s SWITCH,TACTIL(DOWN)
S2908	1-762-357-11	s SWITCH,TACTIL(CHROMA-)
S2909	1-762-357-11	s SWITCH,TACTIL(ENTER)
S2910	1-762-357-11	s SWITCH,TACTIL(BRIGHT+)
S2911	1-762-357-11	s SWITCH,TACTIL(CTR)
S2912	1-762-357-11	s SWITCH,TACTIL(VOL+)
S2913	1-762-357-11	s SWITCH,TACTIL(VOL-)
S2914	1-762-357-11	s SWITCH,TACTIL(CONT+)
S2915	1-762-357-11	s SWITCH,TACTIL(CONT-)

(H2 BOARD(FOR PVM-14L5/D14L5A))

Ref. No. or Q'ty	Part No.	SP Description
1pc	8-330-030-01	s MOUNTED C.BOARD,H2 COMPL
C5001	1-162-970-11	s CAPACITOR CERAMIC 0.01MF/25V B
C5002	1-119-667-11	s CAPACITOR CERAMIC 22MF/10V(F)
C5003	1-162-970-11	s CAPACITOR CERAMIC 0.01MF/25V B
C5004	1-162-970-11	s CAPACITOR CERAMIC 0.01MF/25V B
C5005	1-119-667-11	s CAPACITOR CERAMIC 22MF/10V(F)
C5006	1-162-970-11	s CAPACITOR CERAMIC 0.01MF/25V B
CN5001	1-691-742-11	s PIN,CONNECTOR(PC BOARD) 4P
CN5002	1-695-441-21	o PIN,CONNECTOR (PC BOARD) 7P
CN5004	1-766-259-11	o PIN,CONNECTOR (PC BOARD) 9P
CN5005	1-750-862-21	s PIN,CONNECTOR (PC BOARD) 5P
D5001	8-719-056-12	s LED SML79420C-TP4
D5002	8-719-056-12	s LED SML79420C-TP4
D5003	8-719-056-12	s LED SML79420C-TP4
D5004	8-719-056-12	s LED SML79420C-TP4
D5005	8-719-056-12	s LED SML79420C-TP4
D5006	8-719-056-12	s LED SML79420C-TP4
D5007	8-719-056-12	s LED SML79420C-TP4
D5008	8-719-056-12	s LED SML79420C-TP4
D5009	8-719-056-12	s LED SML79420C-TP4
D5010	8-719-056-12	s LED SML79420C-TP4
D5011	8-719-056-12	s LED SML79420C-TP4
D5012	8-719-056-12	s LED SML79420C-TP4
D5013	8-719-056-12	s LED SML79420C-TP4
D5014	8-719-056-12	s LED SML79420C-TP4
D5015	8-719-037-22	s DIODE RD12SB-T1
D5016	8-719-037-22	s DIODE RD12SB-T1
D5017	8-719-037-22	s DIODE RD12SB-T1
D5018	8-719-037-22	s DIODE RD12SB-T1
D5019	8-719-037-22	s DIODE RD12SB-T1
D5020	8-719-037-22	s DIODE RD12SB-T1
D5021	8-719-037-22	s DIODE RD12SB-T1
D5022	8-719-073-01	s DIODE MA111-(K8).S0
D5023	8-719-073-01	s DIODE MA111-(K8).S0
D5024	8-719-073-01	s DIODE MA111-(K8).S0
D5025	8-719-073-01	s DIODE MA111-(K8).S0
IC5001	8-759-524-19	s IC TC74VHC164FT(EL)
IC5002	8-759-524-19	s IC TC74VHC164FT(EL)
IC5003	8-759-524-07	s IC TC74VHC138FT(EL)
Q5001	8-729-045-93	o TRANSISTOR IMZ4T108
Q5002	8-729-045-93	o TRANSISTOR IMZ4T108
Q5003	8-729-045-93	o TRANSISTOR IMZ4T108
Q5004	8-729-045-93	o TRANSISTOR IMZ4T108
Q5005	8-729-045-93	o TRANSISTOR IMZ4T108
Q5006	8-729-045-93	o TRANSISTOR IMZ4T108
Q5007	8-729-045-93	o TRANSISTOR IMZ4T108
Q5008	8-729-045-93	o TRANSISTOR IMZ4T108
Q5009	8-729-045-93	o TRANSISTOR IMZ4T108
Q5010	8-729-045-93	o TRANSISTOR IMZ4T108
Q5011	8-729-045-93	o TRANSISTOR IMZ4T108
Q5012	8-729-045-93	o TRANSISTOR IMZ4T108
Q5013	1-801-806-11	s TRANSISTOR DTC144EKA
Q5014	8-729-045-93	o TRANSISTOR IMZ4T108
Q5015	8-729-045-93	o TRANSISTOR IMZ4T108
Q5016	8-729-045-93	o TRANSISTOR IMZ4T108
Q5017	8-729-045-93	o TRANSISTOR IMZ4T108
Q5018	8-729-045-93	o TRANSISTOR IMZ4T108

(H2 BOARD(FOR PVM-14L5/D14L5A))

Ref. No. or Q'ty	Part No.	SP Description
R5107	1-216-804-11	s RESISTOR,CHIP 39 1/16W 1608
R5108	1-216-833-11	s RESISTOR,CHIP 10K 1/16W (1608)
R5109	1-216-833-11	s RESISTOR,CHIP 10K 1/16W (1608)
R5110	1-216-833-11	s RESISTOR,CHIP 10K 1/16W (1608)
R5111	1-216-821-11	s RESISTOR,CHIP 1.0K 1/16W(1608)
R5112	1-216-802-11	s RESISTOR,CHIP 27 1/16W 1608
R5113	1-216-833-11	s RESISTOR,CHIP 10K 1/16W (1608)
R5114	1-216-833-11	s RESISTOR,CHIP 10K 1/16W (1608)
R5115	1-216-833-11	s RESISTOR,CHIP 10K 1/16W (1608)
R5116	1-216-821-11	s RESISTOR,CHIP 1.0K 1/16W(1608)
R5117	1-216-833-11	s RESISTOR,CHIP 10K 1/16W (1608)
R5118	1-216-804-11	s RESISTOR,CHIP 39 1/16W 1608
R5119	1-216-821-11	s RESISTOR,CHIP 1.0K 1/16W(1608)
R5120	1-216-833-11	s RESISTOR,CHIP 10K 1/16W (1608)
R5121	1-216-833-11	s RESISTOR,CHIP 10K 1/16W (1608)
R5122	1-216-802-11	s RESISTOR,CHIP 27 1/16W 1608
R5123	1-216-833-11	s RESISTOR,CHIP 10K 1/16W (1608)
R5124	1-216-833-11	s RESISTOR,CHIP 10K 1/16W (1608)
R5125	1-216-821-11	s RESISTOR,CHIP 1.0K 1/16W(1608)
R5126	1-216-833-11	s RESISTOR,CHIP 10K 1/16W (1608)
R5127	1-216-833-11	s RESISTOR,CHIP 10K 1/16W (1608)
R5128	1-216-804-11	s RESISTOR,CHIP 39 1/16W 1608
R5129	1-216-833-11	s RESISTOR,CHIP 10K 1/16W (1608)
R5130	1-216-821-11	s RESISTOR,CHIP 1.0K 1/16W(1608)
R5131	1-216-833-11	s RESISTOR,CHIP 10K 1/16W (1608)
R5132	1-216-802-11	s RESISTOR,CHIP 27 1/16W 1608
R5133	1-216-833-11	s RESISTOR,CHIP 10K 1/16W (1608)
R5134	1-216-833-11	s RESISTOR,CHIP 10K 1/16W (1608)
R5135	1-216-833-11	s RESISTOR,CHIP 10K 1/16W (1608)
R5136	1-216-821-11	s RESISTOR,CHIP 1.0K 1/16W(1608)
R5137	1-216-804-11	s RESISTOR,CHIP 39 1/16W 1608
R5138	1-216-833-11	s RESISTOR,CHIP 10K 1/16W (1608)
R5139	1-216-833-11	s RESISTOR,CHIP 10K 1/16W (1608)
R5140	1-216-833-11	s RESISTOR,CHIP 10K 1/16W (1608)
R5141	1-216-821-11	s RESISTOR,CHIP 1.0K 1/16W(1608)
R5142	1-216-802-11	s RESISTOR,CHIP 27 1/16W 1608
R5143	1-216-833-11	s RESISTOR,CHIP 10K 1/16W (1608)
R5144	1-216-833-11	s RESISTOR,CHIP 10K 1/16W (1608)
R5145	1-216-821-11	s RESISTOR,CHIP 1.0K 1/16W(1608)
R5146	1-216-833-11	s RESISTOR,CHIP 10K 1/16W (1608)
R5147	1-216-804-11	s RESISTOR,CHIP 39 1/16W 1608
R5149	1-216-826-11	s RESISTOR,CHIP 2.7K 1/16W(1608)
R5150	1-216-820-11	s RESISTOR, CHIP 820 1/16W 1608
R5151	1-216-816-11	s RESISTOR, CHIP 390 1/16W 1608
R5152	1-216-814-11	s RESISTOR,CHIP 270 1/16W 1608
R5153	1-216-826-11	s RESISTOR,CHIP 2.7K 1/16W(1608)
R5154	1-216-826-11	s RESISTOR,CHIP 2.7K 1/16W(1608)
R5155	1-216-820-11	s RESISTOR, CHIP 820 1/16W 1608
R5156	1-216-820-11	s RESISTOR, CHIP 820 1/16W 1608
R5157	1-216-816-11	s RESISTOR, CHIP 390 1/16W 1608
R5158	1-216-816-11	s RESISTOR, CHIP 390 1/16W 1608
R5159	1-216-814-11	s RESISTOR,CHIP 270 1/16W 1608
R5160	1-216-814-11	s RESISTOR,CHIP 270 1/16W 1608
S5001	1-762-357-11	s SWITCH,TACTIL(EXT SYNC)
S5002	1-762-357-11	s SWITCH,TACTIL(UNDER SCAN)
S5003	1-762-357-11	s SWITCH,TACTIL(16:9)
S5004	1-762-357-11	s SWITCH,TACTIL(BLUE ONLY)
S5005	1-762-357-11	s SWITCH,TACTIL(MONO)

(H2 BOARD(FOR PVM-14L5/D14L5A))

Ref. No. or Q'ty	Part No.	SP Description
S5006	1-762-357-11	s SWITCH,TACTIL(LINE A)
S5007	1-762-357-11	s SWITCH,TACTIL(LINE B)
S5008	1-762-357-11	s SWITCH,TACTIL(RGB/COMP)
S5009	1-762-357-11	s SWITCH,TACTIL(OPT A)
S5010	1-762-357-11	s SWITCH,TACTIL(OPT B)
S5011	1-762-357-11	s SWITCH,TACTIL(HV DELAY)
S5012	1-762-357-11	s SWITCH,TACTIL(4:3 MARKER)
S5013	1-762-357-11	s SWITCH,TACTIL(DEGAUSS)
S5014	1-762-357-11	s SWITCH,TACTIL(RESET)

 HA BOARD(FOR PVM-20L5/D20L5A)

Ref. No. or Q'ty	Part No.	SP	Description
1pc	8-330-030-22	s	MOUNTED CIRCUIT BOARD, HA
C2901	1-162-970-11	s	CAPACITOR CERAMIC 0.01MF/25V B
C2902	1-119-667-11	s	CAPACITOR CERAMIC 22MF/10V(F)
CN2901	1-695-442-21	o	PIN,CONNECTOR (PC BOARD) 10P
CN2902	1-695-440-21	s	PIN, CONNECTOR (PC BOARD) 6P
D2901	8-719-046-43	s	LED SEL5421E-TH15
D2902	8-719-033-06	s	DIODE SEL5920S
D2903	8-719-033-06	s	DIODE SEL5920S
D2904	8-719-033-06	s	DIODE SEL5920S
D2905	8-719-033-06	s	DIODE SEL5920S
D2906	8-719-033-06	s	DIODE SEL5920S
D2907	8-719-033-06	s	DIODE SEL5920S
D2908	8-719-033-06	s	DIODE SEL5920S
D2909	8-719-033-06	s	DIODE SEL5920S
D2910	8-719-033-06	s	DIODE SEL5920S
D2911	8-719-033-06	s	DIODE SEL5920S
D2912	8-719-033-06	s	DIODE SEL5920S
D2913	8-719-033-06	s	DIODE SEL5920S
D2914	8-719-033-06	s	DIODE SEL5920S
D2915	8-719-033-06	s	DIODE SEL5920S
D2916	8-719-033-06	s	DIODE SEL5920S
D2917	8-719-033-06	s	DIODE SEL5920S
D2918	8-719-033-06	s	DIODE SEL5920S
D2919	8-719-033-06	s	DIODE SEL5920S
D2920	8-719-033-06	s	DIODE SEL5920S
D2921	8-719-033-06	s	DIODE SEL5920S
Q2901	8-729-045-93	o	TRANSISTOR IMZ4T108
Q2902	8-729-045-93	o	TRANSISTOR IMZ4T108
Q2903	8-729-045-93	o	TRANSISTOR IMZ4T108
Q2904	8-729-045-93	o	TRANSISTOR IMZ4T108
Q2905	8-729-045-93	o	TRANSISTOR IMZ4T108
R2901	1-216-818-11	s	RESISTOR, CHIP 560 1/16W 1608
R2902	1-216-833-11	s	RESISTOR,CHIP 10K 1/16W (1608)
R2903	1-216-833-11	s	RESISTOR,CHIP 10K 1/16W (1608)
R2904	1-216-804-11	s	RESISTOR,CHIP 39 1/16W 1608
R2905	1-216-804-11	s	RESISTOR,CHIP 39 1/16W 1608
R2906	1-216-833-11	s	RESISTOR,CHIP 10K 1/16W (1608)
R2907	1-216-826-11	s	RESISTOR,CHIP 2.7K 1/16W(1608)
R2908	1-216-826-11	s	RESISTOR,CHIP 2.7K 1/16W(1608)
R2909	1-216-821-11	s	RESISTOR,CHIP 1.0K 1/16W(1608)
R2910	1-216-804-11	s	RESISTOR,CHIP 39 1/16W 1608
R2911	1-216-804-11	s	RESISTOR,CHIP 39 1/16W 1608
R2912	1-216-820-11	s	RESISTOR, CHIP 820 1/16W 1608
R2913	1-216-820-11	s	RESISTOR, CHIP 820 1/16W 1608
R2914	1-216-804-11	s	RESISTOR,CHIP 39 1/16W 1608
R2915	1-216-804-11	s	RESISTOR,CHIP 39 1/16W 1608
R2916	1-216-833-11	s	RESISTOR,CHIP 10K 1/16W (1608)
R2917	1-216-833-11	s	RESISTOR,CHIP 10K 1/16W (1608)
R2918	1-216-816-11	s	RESISTOR, CHIP 390 1/16W 1608
R2919	1-216-816-11	s	RESISTOR, CHIP 390 1/16W 1608
R2920	1-216-833-11	s	RESISTOR,CHIP 10K 1/16W (1608)
R2921	1-216-804-11	s	RESISTOR,CHIP 39 1/16W 1608
R2922	1-216-804-11	s	RESISTOR,CHIP 39 1/16W 1608
R2923	1-216-821-11	s	RESISTOR,CHIP 1.0K 1/16W(1608)
R2924	1-216-814-11	s	RESISTOR,CHIP 270 1/16W 1608
R2925	1-216-814-11	s	RESISTOR,CHIP 270 1/16W 1608

(HA BOARD(FOR PVM-20L5/D20L5A))

Ref. No. or Q'ty	Part No.	SP	Description
R2926	1-216-804-11	s	RESISTOR,CHIP 39 1/16W 1608
R2927	1-216-804-11	s	RESISTOR,CHIP 39 1/16W 1608
R2928	1-216-833-11	s	RESISTOR,CHIP 10K 1/16W (1608)
R2929	1-216-833-11	s	RESISTOR,CHIP 10K 1/16W (1608)
R2930	1-216-804-11	s	RESISTOR,CHIP 39 1/16W 1608
R2931	1-216-804-11	s	RESISTOR,CHIP 39 1/16W 1608
R2932	1-216-833-11	s	RESISTOR,CHIP 10K 1/16W (1608)
R2933	1-216-821-11	s	RESISTOR,CHIP 1.0K 1/16W(1608)
R2934	1-216-826-11	s	RESISTOR,CHIP 2.7K 1/16W(1608)
R2935	1-216-804-11	s	RESISTOR,CHIP 39 1/16W 1608
R2936	1-216-804-11	s	RESISTOR,CHIP 39 1/16W 1608
R2937	1-216-833-11	s	RESISTOR,CHIP 10K 1/16W (1608)
R2938	1-216-833-11	s	RESISTOR,CHIP 10K 1/16W (1608)
R2939	1-216-820-11	s	RESISTOR, CHIP 820 1/16W 1608
R2940	1-216-804-11	s	RESISTOR,CHIP 39 1/16W 1608
R2941	1-216-804-11	s	RESISTOR,CHIP 39 1/16W 1608
R2942	1-216-833-11	s	RESISTOR,CHIP 10K 1/16W (1608)
R2943	1-216-821-11	s	RESISTOR,CHIP 1.0K 1/16W(1608)
R2944	1-216-816-11	s	RESISTOR, CHIP 390 1/16W 1608
R2945	1-216-804-11	s	RESISTOR,CHIP 39 1/16W 1608
R2946	1-216-804-11	s	RESISTOR,CHIP 39 1/16W 1608
R2947	1-216-814-11	s	RESISTOR,CHIP 270 1/16W 1608
R2948	1-216-833-11	s	RESISTOR,CHIP 10K 1/16W (1608)
R2949	1-216-833-11	s	RESISTOR,CHIP 10K 1/16W (1608)
R2950	1-216-804-11	s	RESISTOR,CHIP 39 1/16W 1608
R2951	1-216-804-11	s	RESISTOR,CHIP 39 1/16W 1608
R2952	1-216-833-11	s	RESISTOR,CHIP 10K 1/16W (1608)
R2953	1-216-821-11	s	RESISTOR,CHIP 1.0K 1/16W(1608)
S2901	1-762-357-11	s	SWITCH,TACTIL(BRIGHT-)
S2902	1-762-357-11	s	SWITCH,TACTIL(PHASE+)
S2903	1-762-357-11	s	SWITCH,TACTIL(MENU)
S2904	1-762-357-11	s	SWITCH,TACTIL(PHASE-)
S2905	1-762-357-11	s	SWITCH,TACTIL(UP)
S2906	1-762-357-11	s	SWITCH,TACTIL(CHROMA+)
S2907	1-762-357-11	s	SWITCH,TACTIL(DOWN)
S2908	1-762-357-11	s	SWITCH,TACTIL(CHROMA-)
S2909	1-762-357-11	s	SWITCH,TACTIL(ENTER)
S2910	1-762-357-11	s	SWITCH,TACTIL(BRIGHT+)
S2911	1-762-357-11	s	SWITCH,TACTIL(CTR)
S2912	1-762-357-11	s	SWITCH,TACTIL(VOL+)
S2913	1-762-357-11	s	SWITCH,TACTIL(VOL-)
S2914	1-762-357-11	s	SWITCH,TACTIL(CONT+)
S2915	1-762-357-11	s	SWITCH,TACTIL(CONT-)

 HB BOARD(FOR PVM-20L5/D20L5A)

(HB BOARD(FOR PVM-20L5/D20L5A))

Ref. No. or Q'ty	Part No.	SP Description
1pc	8-330-030-23	s MOUNTED CIRCUIT BOARD, HB
C5001	1-162-970-11	s CAPACITOR CERAMIC 0.01MF/25V B
C5002	1-119-667-11	s CAPACITOR CERAMIC 22MF/10V(F)
C5003	1-162-970-11	s CAPACITOR CERAMIC 0.01MF/25V B
C5004	1-162-970-11	s CAPACITOR CERAMIC 0.01MF/25V B
C5005	1-119-667-11	s CAPACITOR CERAMIC 22MF/10V(F)
C5006	1-162-970-11	s CAPACITOR CERAMIC 0.01MF/25V B
CN5001	1-691-742-11	s PIN,CONNECTOR(PC BOARD) 4P
CN5002	1-695-441-21	o PIN,CONNECTOR (PC BOARD) 7P
CN5004	1-766-259-11	o PIN, CONNECTOR (PC BOARD) 9P
CN5005	1-750-862-21	s PIN, CONNECTOR (PC BOARD) 5P
D5001	8-719-056-12	s LED SML79420C-TP4
D5002	8-719-056-12	s LED SML79420C-TP4
D5003	8-719-056-12	s LED SML79420C-TP4
D5004	8-719-056-12	s LED SML79420C-TP4
D5005	8-719-056-12	s LED SML79420C-TP4
D5006	8-719-056-12	s LED SML79420C-TP4
D5007	8-719-056-12	s LED SML79420C-TP4
D5008	8-719-056-12	s LED SML79420C-TP4
D5009	8-719-056-12	s LED SML79420C-TP4
D5010	8-719-056-12	s LED SML79420C-TP4
D5011	8-719-056-12	s LED SML79420C-TP4
D5012	8-719-056-12	s LED SML79420C-TP4
D5013	8-719-056-12	s LED SML79420C-TP4
D5014	8-719-056-12	s LED SML79420C-TP4
D5015	8-719-037-22	s DIODE RD12SB-T1
D5016	8-719-037-22	s DIODE RD12SB-T1
D5017	8-719-037-22	s DIODE RD12SB-T1
D5018	8-719-037-22	s DIODE RD12SB-T1
D5019	8-719-037-22	s DIODE RD12SB-T1
D5020	8-719-037-22	s DIODE RD12SB-T1
D5021	8-719-037-22	s DIODE RD12SB-T1
D5022	8-719-073-01	s DIODE MA111-(K8).S0
D5023	8-719-073-01	s DIODE MA111-(K8).S0
D5024	8-719-073-01	s DIODE MA111-(K8).S0
D5025	8-719-073-01	s DIODE MA111-(K8).S0
IC5001	8-759-524-19	s IC TC74VHC164FT(EL)
IC5002	8-759-524-19	s IC TC74VHC164FT(EL)
IC5003	8-759-524-07	s IC TC74VHC138FT(EL)
Q5001	8-729-045-93	o TRANSISTOR IMZ4T108
Q5002	8-729-045-93	o TRANSISTOR IMZ4T108
Q5003	8-729-045-93	o TRANSISTOR IMZ4T108
Q5004	8-729-045-93	o TRANSISTOR IMZ4T108
Q5005	8-729-045-93	o TRANSISTOR IMZ4T108
Q5006	8-729-045-93	o TRANSISTOR IMZ4T108
Q5007	8-729-045-93	o TRANSISTOR IMZ4T108
Q5008	8-729-045-93	o TRANSISTOR IMZ4T108
Q5009	8-729-045-93	o TRANSISTOR IMZ4T108
Q5010	8-729-045-93	o TRANSISTOR IMZ4T108
Q5011	8-729-045-93	o TRANSISTOR IMZ4T108
Q5012	8-729-045-93	o TRANSISTOR IMZ4T108
Q5013	1-801-806-11	s TRANSISTOR DTC144EKA
Q5014	8-729-045-93	o TRANSISTOR IMZ4T108
Q5015	8-729-045-93	o TRANSISTOR IMZ4T108
Q5016	8-729-045-93	o TRANSISTOR IMZ4T108
Q5017	8-729-045-93	o TRANSISTOR IMZ4T108
Q5018	8-729-045-93	o TRANSISTOR IMZ4T108

Ref. No. or Q'ty	Part No.	SP Description
Q5019	8-729-045-93	o TRANSISTOR IMZ4T108
Q5020	8-729-045-93	o TRANSISTOR IMZ4T108
Q5021	8-729-045-93	o TRANSISTOR IMZ4T108
Q5022	8-729-045-93	o TRANSISTOR IMZ4T108
Q5023	8-729-045-93	o TRANSISTOR IMZ4T108
Q5024	8-729-045-93	o TRANSISTOR IMZ4T108
Q5025	8-729-045-93	o TRANSISTOR IMZ4T108
Q5026	8-729-045-93	o TRANSISTOR IMZ4T108
Q5027	8-729-045-93	o TRANSISTOR IMZ4T108
Q5028	8-729-045-93	o TRANSISTOR IMZ4T108
Q5029	8-729-045-93	o TRANSISTOR IMZ4T108
R5001	1-216-833-11	s RESISTOR,CHIP 10K 1/16W (1608)
R5002	1-216-833-11	s RESISTOR,CHIP 10K 1/16W (1608)
R5003	1-216-833-11	s RESISTOR,CHIP 10K 1/16W (1608)
R5004	1-216-821-11	s RESISTOR,CHIP 1.0K 1/16W(1608)
R5005	1-216-802-11	s RESISTOR,CHIP 27 1/16W 1608
R5006	1-216-833-11	s RESISTOR,CHIP 10K 1/16W (1608)
R5007	1-216-833-11	s RESISTOR,CHIP 10K 1/16W (1608)
R5008	1-216-821-11	s RESISTOR,CHIP 1.0K 1/16W(1608)
R5009	1-216-833-11	s RESISTOR,CHIP 10K 1/16W (1608)
R5010	1-216-804-11	s RESISTOR,CHIP 39 1/16W 1608
R5011	1-216-833-11	s RESISTOR,CHIP 10K 1/16W (1608)
R5012	1-216-833-11	s RESISTOR,CHIP 10K 1/16W (1608)
R5013	1-216-821-11	s RESISTOR,CHIP 1.0K 1/16W(1608)
R5014	1-216-833-11	s RESISTOR,CHIP 10K 1/16W (1608)
R5015	1-216-802-11	s RESISTOR,CHIP 27 1/16W 1608
R5016	1-216-833-11	s RESISTOR,CHIP 10K 1/16W (1608)
R5017	1-216-833-11	s RESISTOR,CHIP 10K 1/16W (1608)
R5018	1-216-833-11	s RESISTOR,CHIP 10K 1/16W (1608)
R5019	1-216-821-11	s RESISTOR,CHIP 1.0K 1/16W(1608)
R5020	1-216-804-11	s RESISTOR,CHIP 39 1/16W 1608
R5021	1-216-833-11	s RESISTOR,CHIP 10K 1/16W (1608)
R5022	1-216-833-11	s RESISTOR,CHIP 10K 1/16W (1608)
R5023	1-216-833-11	s RESISTOR,CHIP 10K 1/16W (1608)
R5024	1-216-821-11	s RESISTOR,CHIP 1.0K 1/16W(1608)
R5025	1-216-802-11	s RESISTOR,CHIP 27 1/16W 1608
R5026	1-216-833-11	s RESISTOR,CHIP 10K 1/16W (1608)
R5027	1-216-833-11	s RESISTOR,CHIP 10K 1/16W (1608)
R5028	1-216-821-11	s RESISTOR,CHIP 1.0K 1/16W(1608)
R5029	1-216-833-11	s RESISTOR,CHIP 10K 1/16W (1608)
R5030	1-216-804-11	s RESISTOR,CHIP 39 1/16W 1608
R5031	1-216-833-11	s RESISTOR,CHIP 10K 1/16W (1608)
R5032	1-216-833-11	s RESISTOR,CHIP 10K 1/16W (1608)
R5033	1-216-821-11	s RESISTOR,CHIP 1.0K 1/16W(1608)
R5034	1-216-833-11	s RESISTOR,CHIP 10K 1/16W (1608)
R5035	1-216-802-11	s RESISTOR,CHIP 27 1/16W 1608
R5036	1-216-833-11	s RESISTOR,CHIP 10K 1/16W (1608)
R5037	1-216-833-11	s RESISTOR,CHIP 10K 1/16W (1608)
R5038	1-216-833-11	s RESISTOR,CHIP 10K 1/16W (1608)
R5039	1-216-821-11	s RESISTOR,CHIP 1.0K 1/16W(1608)
R5040	1-216-804-11	s RESISTOR,CHIP 39 1/16W 1608
R5041	1-216-833-11	s RESISTOR,CHIP 10K 1/16W (1608)
R5042	1-216-833-11	s RESISTOR,CHIP 10K 1/16W (1608)
R5043	1-216-833-11	s RESISTOR,CHIP 10K 1/16W (1608)
R5044	1-216-821-11	s RESISTOR,CHIP 1.0K 1/16W(1608)
R5045	1-216-802-11	s RESISTOR,CHIP 27 1/16W 1608
R5046	1-216-833-11	s RESISTOR,CHIP 10K 1/16W (1608)
R5047	1-216-833-11	s RESISTOR,CHIP 10K 1/16W (1608)

(HB BOARD(FOR PVM-20L5/D20L5A))

Ref. No. or Q'ty	Part No.	SP Description
S5006	1-762-357-11	s SWITCH,TACTIL(LINE A)
S5007	1-762-357-11	s SWITCH,TACTIL(LINE B)
S5008	1-762-357-11	s SWITCH,TACTIL(RGB/COMP)
S5009	1-762-357-11	s SWITCH,TACTIL(OPT A)
S5010	1-762-357-11	s SWITCH,TACTIL(OPT B)
S5011	1-762-357-11	s SWITCH,TACTIL(HV DELAY)
S5012	1-762-357-11	s SWITCH,TACTIL(4:3 MARKER)
S5013	1-762-357-11	s SWITCH,TACTIL(DEGAUSS)
S5014	1-762-357-11	s SWITCH,TACTIL(RESET)

J BOARD

Ref. No. or Q'ty	Part No.	SP Description
CN951	1-695-295-11	o PIN, CONNECTOR (PC BOARD) 4P
S951	△ 1-786-226-11	s SWITCH, AC POWER PUSH

K BOARD(FOR PVM-14L5/D14L5A)

Ref. No. or Q'ty	Part No.	SP Description
lpc	8-330-030-05	s MOUNTED CIRCUIT BOARD, K
C3501	1-107-714-11	s CAPACITOR, ELECT 10MF/50V(BP)
C3502	1-107-905-11	s CAPACITOR,ELECT 4.7MF/50V
C3503	1-107-905-11	s CAPACITOR,ELECT 4.7MF/50V
C3504	1-107-909-11	s CAPACITOR,ELECT 47MF/50V
C3505	1-163-017-00	s CAPACITOR,CHIP CERAMIC 4700PF
C3506	1-107-906-11	s CAPACITOR,ELECT 10MF/50V(105)
C3507	1-163-035-00	s CAPACITOR,CHIP CERAMIC 0.047MF
C3508	1-107-884-11	s CAPACITOR,ELECT 1000MF/16V
C3509	1-128-526-11	s CAPACITOR,ELECT 100MF/25V
C3510	1-128-526-11	s CAPACITOR,ELECT 100MF/25V
C3511	1-126-964-11	s CAPACITOR, ELECT 10MF/50V
CN3501	1-564-506-11	o PLUG,CONNECTOR (3P)
CN3502	1-564-506-11	o PLUG,CONNECTOR (3P)
CN3503	1-564-508-11	o PLUG,CONNECTOR (5P)
D3501	8-719-977-40	s DIODE DTZ13B
IC3501	6-700-688-01	s IC AN5278
Q3501	8-729-422-33	s TRANSISTOR 2SD601A-Q-TX
Q3502	8-729-140-96	s TRANSISTOR 2SD774-34
Q3503	8-729-120-28	s TRANSISTOR 2SC1623-L5L6
R3501	1-216-065-91	s RESISTOR,CHIP 4.7K 1/10W(2012)
R3502	1-216-049-11	s RESISTOR, CHIP 1K 1/10W(2012)
R3503	1-216-073-00	s RESISTOR,CHIP 10K 1/10W(2012)
R3506	1-216-068-00	s RESISTOR,CHIP 6.2K 1/10W(2012)
R3507	1-216-081-00	s RESISTOR,CHIP 22K 1/10W(2012)
R3508	1-216-065-91	s RESISTOR,CHIP 4.7K 1/10W(2012)
R3509	1-212-857-00	s RESISTOR,FUSE 10 1/4W
R3511	1-260-095-11	s RESISTOR,CARBON 470 1/2W
R3512	1-216-033-00	s RESISTOR,CHIP 220 1/10W(2012)
R3513	1-216-073-00	s RESISTOR,CHIP 10K 1/10W(2012)
R3514	1-216-049-11	s RESISTOR, CHIP 1K 1/10W(2012)

 K BOARD(FOR PVM-20L5/D20L5A)

Ref. No. or Q'ty	Part No.	SP	Description
1pc	8-330-030-25	s	MOUNTED CIRCUIT BOARD, K
C3501	1-107-714-11	s	CAPACITOR, ELECT 10MF/50V(BP)
C3502	1-107-905-11	s	CAPACITOR,ELECT 4.7MF/50V
C3503	1-107-905-11	s	CAPACITOR,ELECT 4.7MF/50V
C3504	1-107-909-11	s	CAPACITOR,ELECT 47MF/50V
C3505	1-163-017-00	s	CAPACITOR,CHIP CERAMIC 4700PF
C3506	1-107-906-11	s	CAPACITOR,ELECT 10MF/50V(105)
C3507	1-163-035-00	s	CAPACITOR,CHIP CERAMIC 0.047MF
C3508	1-107-884-11	s	CAPACITOR,ELECT 1000MF/16V
C3509	1-128-526-11	s	CAPACITOR,ELECT 100MF/25V
C3510	1-128-526-11	s	CAPACITOR,ELECT 100MF/25V
C3511	1-126-964-11	s	CAPACITOR, ELECT 10MF/50V
C3512	1-126-967-11	s	CAPACITOR,ELECT 47MF/50V
C3513	1-126-967-11	s	CAPACITOR,ELECT 47MF/50V
C3514	1-164-004-11	s	CAPACITOR,CERAMIC 0.1MF/25V
CN3501	1-564-506-11	o	PLUG,CONNECTOR (3P)
CN3502	1-564-506-11	o	PLUG,CONNECTOR (3P)
CN3503	1-564-508-11	o	PLUG,CONNECTOR (5P)
CN3504	1-564-507-11	o	PLUG,CONNECTOR (4P)
CN3505	1-564-506-11	o	PLUG,CONNECTOR (3P)
D3501	8-719-977-40	s	DIODE DTZ13B
IC3501	6-700-688-01	s	IC AN5278
IC3502	8-759-803-42	s	IC LA6500-FA
Q3501	8-729-422-33	s	TRANSISTOR 2SD601A-Q-TX
Q3502	8-729-140-96	s	TRANSISTOR 2SD774-34
Q3503	8-729-120-28	s	TRANSISTOR 2SC1623-L5L6
R3501	1-216-065-91	s	RESISTOR,CHIP 4.7K 1/10W(2012)
R3502	1-216-049-11	s	RESISTOR, CHIP 1K 1/10W(2012)
R3503	1-216-073-00	s	RESISTOR,CHIP 10K 1/10W(2012)
R3506	1-216-068-00	s	RESISTOR,CHIP 6.2K 1/10W(2012)
R3507	1-216-081-00	s	RESISTOR,CHIP 22K 1/10W(2012)
R3508	1-216-065-91	s	RESISTOR,CHIP 4.7K 1/10W(2012)
R3509	1-212-857-00	s	RESISTOR,FUSE 10 1/4W
R3511	1-260-095-11	s	RESISTOR,CARBON 470 1/2W
R3512	1-216-033-00	s	RESISTOR,CHIP 220 1/10W(2012)
R3513	1-216-073-00	s	RESISTOR,CHIP 10K 1/10W(2012)
R3514	1-216-049-11	s	RESISTOR, CHIP 1K 1/10W(2012)
R3515	1-216-073-00	s	RESISTOR,CHIP 10K 1/10W(2012)
R3516	1-216-055-00	s	RESISTOR CHIP 1.8K 1/10W(2012)
R3517	1-216-057-00	s	RESISTOR CHIP 2.2K 1/10W(2012)
R3518	1-216-089-91	s	RESISTOR, CHIP 47K 1/10W(2012)
R3519	1-216-298-00	s	RESISTOR,CHIP 2.2 1/10(2012)
R3520	1-249-377-11	s	RES,CARBON 0.47 1/4W
R3521	1-260-336-11	s	RESISTOR, CARBON 4.7K 1/2W
R3522	1-260-303-11	s	RESISTOR, CARBON 8.2 1/2W
R3523	1-216-001-00	s	RESISTOR, CHIP 10 1/10W(2012)

 M BOARD

Ref. No. or Q'ty	Part No.	SP	Description
1pc	8-330-030-04	s	MOUNTED CIRCUIT BOARD, M
C1101	1-163-021-91	s	CAPACITOR, CERAMIC 0.01MF/50V
C1102	1-163-021-91	s	CAPACITOR, CERAMIC 0.01MF/50V
C1103	1-163-021-91	s	CAPACITOR, CERAMIC 0.01MF/50V
C1104	1-163-021-91	s	CAPACITOR, CERAMIC 0.01MF/50V
C1105	1-163-021-91	s	CAPACITOR, CERAMIC 0.01MF/50V
C1106	1-162-916-11	s	CAPACITOR,CERAMIC 12PF/50V CH
C1107	1-162-916-11	s	CAPACITOR,CERAMIC 12PF/50V CH
CN1101	1-815-353-21	o	CONNECTOR, BORD TO BOARD 50P
CN1102	1-793-798-21	o	CONNECTOR, BOARD TO BOARD
L1101	1-414-119-11	s	INDUCTOR (SMALL TYPE) 22UH
L1102	1-414-119-11	s	INDUCTOR (SMALL TYPE) 22UH
L1103	1-414-119-11	s	INDUCTOR (SMALL TYPE) 22UH
L1104	1-414-119-11	s	INDUCTOR (SMALL TYPE) 22UH
L1105	1-414-119-11	s	INDUCTOR (SMALL TYPE) 22UH
R1101	1-216-001-00	s	RESISTOR, CHIP 10 1/10W(2012)
R1102	1-216-001-00	s	RESISTOR, CHIP 10 1/10W(2012)
R1103	1-216-001-00	s	RESISTOR, CHIP 10 1/10W(2012)
R1104	1-216-001-00	s	RESISTOR, CHIP 10 1/10W(2012)
R1105	1-216-001-00	s	RESISTOR, CHIP 10 1/10W(2012)
R1106	1-216-001-00	s	RESISTOR, CHIP 10 1/10W(2012)
R1107	1-216-001-00	s	RESISTOR, CHIP 10 1/10W(2012)
R1108	1-216-001-00	s	RESISTOR, CHIP 10 1/10W(2012)
R1109	1-216-001-00	s	RESISTOR, CHIP 10 1/10W(2012)
R1110	1-216-001-00	s	RESISTOR, CHIP 10 1/10W(2012)
R1111	1-216-001-00	s	RESISTOR, CHIP 10 1/10W(2012)
R1112	1-216-001-00	s	RESISTOR, CHIP 10 1/10W(2012)
R1113	1-216-001-00	s	RESISTOR, CHIP 10 1/10W(2012)
R1114	1-216-001-00	s	RESISTOR, CHIP 10 1/10W(2012)
R1115	1-216-001-00	s	RESISTOR, CHIP 10 1/10W(2012)
R1116	1-216-001-00	s	RESISTOR, CHIP 10 1/10W(2012)
R1117	1-216-001-00	s	RESISTOR, CHIP 10 1/10W(2012)
R1118	1-216-001-00	s	RESISTOR, CHIP 10 1/10W(2012)
R1119	1-216-001-00	s	RESISTOR, CHIP 10 1/10W(2012)
R1120	1-216-001-00	s	RESISTOR, CHIP 10 1/10W(2012)
R1121	1-216-001-00	s	RESISTOR, CHIP 10 1/10W(2012)
R1122	1-216-001-00	s	RESISTOR, CHIP 10 1/10W(2012)
R1123	1-216-001-00	s	RESISTOR, CHIP 10 1/10W(2012)
R1124	1-216-001-00	s	RESISTOR, CHIP 10 1/10W(2012)
R1125	1-216-001-00	s	RESISTOR, CHIP 10 1/10W(2012)
R1126	1-216-001-00	s	RESISTOR, CHIP 10 1/10W(2012)
R1127	1-216-001-00	s	RESISTOR, CHIP 10 1/10W(2012)
R1128	1-216-001-00	s	RESISTOR, CHIP 10 1/10W(2012)
R1129	1-216-001-00	s	RESISTOR, CHIP 10 1/10W(2012)
R1130	1-216-001-00	s	RESISTOR, CHIP 10 1/10W(2012)
R1131	1-216-001-00	s	RESISTOR, CHIP 10 1/10W(2012)
R1132	1-216-001-00	s	RESISTOR, CHIP 10 1/10W(2012)
R1133	1-216-001-00	s	RESISTOR, CHIP 10 1/10W(2012)
R1134	1-216-001-00	s	RESISTOR, CHIP 10 1/10W(2012)
R1135	1-216-001-00	s	RESISTOR, CHIP 10 1/10W(2012)
R1136	1-216-001-00	s	RESISTOR, CHIP 10 1/10W(2012)
R1137	1-216-001-00	s	RESISTOR, CHIP 10 1/10W(2012)
R1138	1-216-001-00	s	RESISTOR, CHIP 10 1/10W(2012)
R1139	1-216-001-00	s	RESISTOR, CHIP 10 1/10W(2012)
R1140	1-216-001-00	s	RESISTOR, CHIP 10 1/10W(2012)
R1141	1-216-001-00	s	RESISTOR, CHIP 10 1/10W(2012)
R1142	1-216-001-00	s	RESISTOR, CHIP 10 1/10W(2012)

(Q BOARD)

Ref. No. or Q'ty	Part No.	SP	Description
C3725	1-163-033-91	s	CAPACITOR, CERAMIC 0.022MF/50V
C3730	1-126-514-11	s	CAPACITOR,ELECT 22MF/16V
C3731	1-126-514-11	s	CAPACITOR,ELECT 22MF/16V
C3732	1-163-033-91	s	CAPACITOR, CERAMIC 0.022MF/50V
C3740	1-126-795-11	s	CAPACITOR, ELECT 10MF/50V
C3741	1-126-514-11	s	CAPACITOR,ELECT 22MF/16V
C3742	1-163-033-91	s	CAPACITOR, CERAMIC 0.022MF/50V
C3743	1-126-795-11	s	CAPACITOR, ELECT 10MF/50V
C3750	1-126-786-11	s	CAPACITOR,ELECT 47MF/16V
C3751	1-163-031-11	s	CAPACITOR, CHIP CERAMIC 0.01MF
C3752	1-163-031-11	s	CAPACITOR, CHIP CERAMIC 0.01MF
C3770	1-126-786-11	s	CAPACITOR,ELECT 47MF/16V
C3771	1-163-809-11	s	CAPACITOR,CHIP CERAMIC 0.047MF
C3772	1-163-009-11	s	CAPACITOR,CERAMIC 1000PF/50V
C3773	1-163-009-11	s	CAPACITOR,CERAMIC 1000PF/50V
C3774	1-163-009-11	s	CAPACITOR,CERAMIC 1000PF/50V
C3775	1-163-009-11	s	CAPACITOR,CERAMIC 1000PF/50V
C3776	1-163-009-11	s	CAPACITOR,CERAMIC 1000PF/50V
C3777	1-163-009-11	s	CAPACITOR,CERAMIC 1000PF/50V
C3778	1-163-009-11	s	CAPACITOR,CERAMIC 1000PF/50V
C3779	1-163-009-11	s	CAPACITOR,CERAMIC 1000PF/50V
C3780	1-163-037-11	s	CAPACITOR,CHIP CERAMIC 0.022MF
C3781	1-163-037-11	s	CAPACITOR,CHIP CERAMIC 0.022MF
C3782	1-163-037-11	s	CAPACITOR,CHIP CERAMIC 0.022MF
C3783	1-163-037-11	s	CAPACITOR,CHIP CERAMIC 0.022MF
C3784	1-163-037-11	s	CAPACITOR,CHIP CERAMIC 0.022MF
C3785	1-163-037-11	s	CAPACITOR,CHIP CERAMIC 0.022MF
C3786	1-163-037-11	s	CAPACITOR,CHIP CERAMIC 0.022MF
CN2701	1-569-023-11	s	JACK, MODULER 8P
CN2702	1-565-167-12	s	TERMINAL, (S) (WITH SW) 4P (Y/C IN)
CN2703	1-569-578-11	s	TERMINAL, S (WITH SW) (Y/C OUT)
CN2704	1-564-519-11	o	PLUG,CONNECTOR (4P)
CN2705	1-564-523-11	o	PLUG,CONNECTOR (8P) (L-TYPE)
CN2706	1-564-521-11	o	PLUG,CONNECTOR (6P) (L-TYPE)
CN2707	1-564-524-11	o	PLUG,CONNECTOR (9P) (L-TYPE)
CN2710	1-564-522-11	o	PLUG,CONNECTOR (7P) (L-TYPE)
D2700	8-719-800-76	s	DIODE 1SS226
D2710	8-719-800-76	s	DIODE 1SS226
D2720	8-719-800-76	s	DIODE 1SS226
D2730	8-719-800-76	s	DIODE 1SS226
D2740	8-719-800-76	s	DIODE 1SS226
D2750	8-719-800-76	s	DIODE 1SS226
D2760	8-719-800-76	s	DIODE 1SS226
D2770	8-719-800-76	s	DIODE 1SS226
D3700	8-719-800-76	s	DIODE 1SS226
D3701	8-719-073-01	s	DIODE MA111-(K8).SO
D3702	8-719-073-01	s	DIODE MA111-(K8).SO
D3710	8-719-800-76	s	DIODE 1SS226
D3711	8-719-073-01	s	DIODE MA111-(K8).SO
D3712	8-719-073-01	s	DIODE MA111-(K8).SO
D3720	8-719-800-76	s	DIODE 1SS226
D3721	8-719-073-01	s	DIODE MA111-(K8).SO
D3722	8-719-073-01	s	DIODE MA111-(K8).SO
D3730	8-719-800-76	s	DIODE 1SS226
D3731	8-719-911-19	s	DIODE 1SS119-25
D3740	8-719-800-76	s	DIODE 1SS226
D3750	8-719-158-19	s	DIODE RD6.2SB
D3751	8-719-158-19	s	DIODE RD6.2SB

(Q BOARD)

Ref. No. or Q'ty	Part No.	SP	Description
D3752	8-719-158-19	s	DIODE RD6.2SB
D3753	8-719-158-19	s	DIODE RD6.2SB
IC2780	8-759-446-66	s	IC MM1113XFBE
IC2781	8-759-432-78	s	IC MM1111XFBE
IC2782	8-759-446-66	s	IC MM1113XFBE
IC2783	8-759-446-66	s	IC MM1113XFBE
IC2784	8-759-446-66	s	IC MM1113XFBE
IC2785	8-759-432-78	s	IC MM1111XFBE
IC3750	8-759-397-01	s	IC MAX487CSA-TE2
IC3751	8-759-397-01	s	IC MAX487CSA-TE2
IC3770	8-759-484-12	s	IC BU4021BF-E2
Q2700	8-729-120-28	s	TRANSISTOR 2SC1623-L5L6
Q2710	8-729-120-28	s	TRANSISTOR 2SC1623-L5L6
Q2720	8-729-120-28	s	TRANSISTOR 2SC1623-L5L6
Q2730	8-729-026-49	s	TRANSISTOR 2SA1037AK-T146-R
Q2740	8-729-120-28	s	TRANSISTOR 2SC1623-L5L6
Q2750	8-729-026-49	s	TRANSISTOR 2SA1037AK-T146-R
Q2760	8-729-026-49	s	TRANSISTOR 2SA1037AK-T146-R
Q2770	8-729-026-49	s	TRANSISTOR 2SA1037AK-T146-R
Q2780	8-729-026-49	s	TRANSISTOR 2SA1037AK-T146-R
Q3700	8-729-112-65	s	TRANSISTOR 2SA1462
Q3701	8-729-107-31	s	TRANSISTOR 2SC3545
Q3702	8-729-027-38	s	TRANSISTOR DTA144EKA-T146
Q3703	1-801-806-11	s	TRANSISTOR DTC144EKA
Q3704	1-801-806-11	s	TRANSISTOR DTC144EKA
Q3710	8-729-112-65	s	TRANSISTOR 2SA1462
Q3711	8-729-107-31	s	TRANSISTOR 2SC3545
Q3712	8-729-027-38	s	TRANSISTOR DTA144EKA-T146
Q3720	8-729-112-65	s	TRANSISTOR 2SA1462
Q3721	8-729-107-31	s	TRANSISTOR 2SC3545
Q3722	8-729-027-38	s	TRANSISTOR DTA144EKA-T146
Q3730	8-729-120-28	s	TRANSISTOR 2SC1623-L5L6
Q3740	8-729-026-49	s	TRANSISTOR 2SA1037AK-T146-R
R2700	1-214-837-11	s	RESISTOR,METAL FILM 75,1/2W
R2701	1-216-049-11	s	RESISTOR, CHIP 1K 1/10W(2012)
R2702	1-216-093-00	s	RESISTOR, CHIP 68K 1/10W(2012)
R2703	1-216-091-00	s	RESISTOR CHIP 56K 1/10W(2012)
R2704	1-216-049-11	s	RESISTOR, CHIP 1K 1/10W(2012)
R2705	1-216-037-00	s	RESISTOR,CHIP 330 1/10W(2012)
R2710	1-214-837-11	s	RESISTOR,METAL FILM 75,1/2W
R2711	1-216-049-11	s	RESISTOR, CHIP 1K 1/10W(2012)
R2712	1-216-093-00	s	RESISTOR, CHIP 68K 1/10W(2012)
R2713	1-216-091-00	s	RESISTOR CHIP 56K 1/10W(2012)
R2714	1-216-049-11	s	RESISTOR, CHIP 1K 1/10W(2012)
R2715	1-216-037-00	s	RESISTOR,CHIP 330 1/10W(2012)
R2720	1-214-837-11	s	RESISTOR,METAL FILM 75,1/2W
R2721	1-216-049-11	s	RESISTOR, CHIP 1K 1/10W(2012)
R2722	1-216-093-00	s	RESISTOR, CHIP 68K 1/10W(2012)
R2723	1-216-091-00	s	RESISTOR CHIP 56K 1/10W(2012)
R2724	1-216-063-91	s	RESISTOR,CHIP 3.9K 1/10W(2125)
R2725	1-216-037-00	s	RESISTOR,CHIP 330 1/10W(2012)
R2726	1-216-049-11	s	RESISTOR, CHIP 1K 1/10W(2012)
R2730	1-214-911-11	s	RESISTOR,METAL FILM 82K/1/2W
R2731	1-216-097-00	s	RESISTOR CHIP 100K 1/10W(2012)
R2732	1-216-115-00	s	RESISTOR,CHIP 560K 1/10W(2012)
R2733	1-216-105-91	s	RESISTOR,CHIP 220K 1/10W(2125)
R2734	1-216-077-00	s	RESISTOR,CHIP 15K 1/10W(2012)
R2735	1-216-025-00	s	RESISTOR,CHIP 100 1/10W(2012)

(Q BOARD)

Ref. No. or Q'ty	Part No.	SP	Description
R2740	1-214-837-11	s	RESISTOR,METAL FILM 75,1/2W
R2741	1-216-049-11	s	RESISTOR, CHIP 1K 1/10W(2012)
R2742	1-216-093-00	s	RESISTOR, CHIP 68K 1/10W(2012)
R2743	1-216-091-00	s	RESISTOR CHIP 56K 1/10W(2012)
R2744	1-216-049-11	s	RESISTOR, CHIP 1K 1/10W(2012)
R2745	1-216-037-00	s	RESISTOR,CHIP 330 1/10W(2012)
R2750	1-214-911-11	s	RESISTOR,METAL FILM 82K/1/2W
R2751	1-216-097-00	s	RESISTOR CHIP 100K 1/10W(2012)
R2752	1-216-115-00	s	RESISTOR,CHIP 560K 1/10W(2012)
R2753	1-216-105-91	s	RESISTOR,CHIP 220K 1/10W(2125)
R2754	1-216-077-00	s	RESISTOR,CHIP 15K 1/10W(2012)
R2755	1-216-025-00	s	RESISTOR,CHIP 100 1/10W(2012)
R2760	1-214-911-11	s	RESISTOR,METAL FILM 82K/1/2W
R2761	1-216-097-00	s	RESISTOR CHIP 100K 1/10W(2012)
R2762	1-216-115-00	s	RESISTOR,CHIP 560K 1/10W(2012)
R2763	1-216-105-91	s	RESISTOR,CHIP 220K 1/10W(2125)
R2764	1-216-077-00	s	RESISTOR,CHIP 15K 1/10W(2012)
R2765	1-216-025-00	s	RESISTOR,CHIP 100 1/10W(2012)
R2770	1-214-911-11	s	RESISTOR,METAL FILM 82K/1/2W
R2771	1-216-097-00	s	RESISTOR CHIP 100K 1/10W(2012)
R2772	1-216-115-00	s	RESISTOR,CHIP 560K 1/10W(2012)
R2773	1-216-105-91	s	RESISTOR,CHIP 220K 1/10W(2125)
R2774	1-216-077-00	s	RESISTOR,CHIP 15K 1/10W(2012)
R2775	1-216-025-00	s	RESISTOR,CHIP 100 1/10W(2012)
R2780	1-216-049-11	s	RESISTOR, CHIP 1K 1/10W(2012)
R2781	1-216-049-11	s	RESISTOR, CHIP 1K 1/10W(2012)
R2782	1-216-049-11	s	RESISTOR, CHIP 1K 1/10W(2012)
R2783	1-216-049-11	s	RESISTOR, CHIP 1K 1/10W(2012)
R2784	1-216-037-00	s	RESISTOR,CHIP 330 1/10W(2012)
R2785	1-216-061-00	s	RESISTOR CHIP 3.3K 1/10W(2012)
R2786	1-216-023-00	s	RESISTOR,CHIP 82 1/10W(2012)
R2787	1-216-049-11	s	RESISTOR, CHIP 1K 1/10W(2012)
R2788	1-216-049-11	s	RESISTOR, CHIP 1K 1/10W(2012)
R2789	1-216-049-11	s	RESISTOR, CHIP 1K 1/10W(2012)
R2790	1-216-049-11	s	RESISTOR, CHIP 1K 1/10W(2012)
R2791	1-216-049-11	s	RESISTOR, CHIP 1K 1/10W(2012)
R2792	1-216-049-11	s	RESISTOR, CHIP 1K 1/10W(2012)
R2793	1-216-049-11	s	RESISTOR, CHIP 1K 1/10W(2012)
R2794	1-216-049-11	s	RESISTOR, CHIP 1K 1/10W(2012)
R2795	1-216-049-11	s	RESISTOR, CHIP 1K 1/10W(2012)
R2796	1-216-049-11	s	RESISTOR, CHIP 1K 1/10W(2012)
R2797	1-216-049-11	s	RESISTOR, CHIP 1K 1/10W(2012)
R3700	1-214-837-11	s	RESISTOR,METAL FILM 75,1/2W
R3701	1-216-089-91	s	RESISTOR, CHIP 47K 1/10W(2012)
R3702	1-216-025-00	s	RESISTOR,CHIP 100 1/10W(2012)
R3703	1-216-057-00	s	RESISTOR CHIP 2.2K 1/10W(2012)
R3704	1-216-073-00	s	RESISTOR,CHIP 10K 1/10W(2012)
R3705	1-216-025-00	s	RESISTOR,CHIP 100 1/10W(2012)
R3706	1-216-049-11	s	RESISTOR, CHIP 1K 1/10W(2012)
R3707	1-216-019-00	s	RESISTOR,CHIP 56 1/10W(2012)
R3708	1-216-073-00	s	RESISTOR,CHIP 10K 1/10W(2012)
R3710	1-214-837-11	s	RESISTOR,METAL FILM 75,1/2W
R3711	1-216-089-91	s	RESISTOR, CHIP 47K 1/10W(2012)
R3712	1-216-025-00	s	RESISTOR,CHIP 100 1/10W(2012)
R3713	1-216-057-00	s	RESISTOR CHIP 2.2K 1/10W(2012)
R3714	1-216-073-00	s	RESISTOR,CHIP 10K 1/10W(2012)
R3715	1-216-025-00	s	RESISTOR,CHIP 100 1/10W(2012)
R3716	1-216-049-11	s	RESISTOR, CHIP 1K 1/10W(2012)
R3717	1-216-019-00	s	RESISTOR,CHIP 56 1/10W(2012)

(Q BOARD)

Ref. No. or Q'ty	Part No.	SP	Description
R3720	1-214-837-11	s	RESISTOR,METAL FILM 75,1/2W
R3721	1-216-089-91	s	RESISTOR, CHIP 47K 1/10W(2012)
R3722	1-216-025-00	s	RESISTOR,CHIP 100 1/10W(2012)
R3723	1-216-057-00	s	RESISTOR CHIP 2.2K 1/10W(2012)
R3724	1-216-073-00	s	RESISTOR,CHIP 10K 1/10W(2012)
R3725	1-216-025-00	s	RESISTOR,CHIP 100 1/10W(2012)
R3726	1-216-049-11	s	RESISTOR, CHIP 1K 1/10W(2012)
R3727	1-216-019-00	s	RESISTOR,CHIP 56 1/10W(2012)
R3730	1-214-837-11	s	RESISTOR,METAL FILM 75,1/2W
R3731	1-216-049-11	s	RESISTOR, CHIP 1K 1/10W(2012)
R3732	1-216-091-00	s	RESISTOR CHIP 56K 1/10W(2012)
R3733	1-216-079-00	s	RESISTOR CHIP 18K 1/10W(2012)
R3734	1-216-063-91	s	RESISTOR,CHIP 3.9K 1/10W(2125)
R3735	1-216-037-00	s	RESISTOR,CHIP 330 1/10W(2012)
R3740	1-214-911-11	s	RESISTOR,METAL FILM 82K/1/2W
R3741	1-216-097-00	s	RESISTOR CHIP 100K 1/10W(2012)
R3742	1-216-115-00	s	RESISTOR,CHIP 560K 1/10W(2012)
R3743	1-216-105-91	s	RESISTOR,CHIP 220K 1/10W(2125)
R3744	1-216-077-00	s	RESISTOR,CHIP 15K 1/10W(2012)
R3745	1-216-025-00	s	RESISTOR,CHIP 100 1/10W(2012)
R3750	1-216-025-00	s	RESISTOR,CHIP 100 1/10W(2012)
R3751	1-216-025-00	s	RESISTOR,CHIP 100 1/10W(2012)
R3752	1-216-025-00	s	RESISTOR,CHIP 100 1/10W(2012)
R3753	1-216-025-00	s	RESISTOR,CHIP 100 1/10W(2012)
R3754	1-216-295-91	s	CONDUCTOR, CHIP (2012)
R3755	1-216-295-91	s	CONDUCTOR, CHIP (2012)
R3756	1-216-295-91	s	CONDUCTOR, CHIP (2012)
R3757	1-216-295-91	s	CONDUCTOR, CHIP (2012)
R3758	1-216-073-00	s	RESISTOR,CHIP 10K 1/10W(2012)
R3759	1-216-073-00	s	RESISTOR,CHIP 10K 1/10W(2012)
R3760	1-216-073-00	s	RESISTOR,CHIP 10K 1/10W(2012)
R3761	1-216-073-00	s	RESISTOR,CHIP 10K 1/10W(2012)
R3762	1-216-073-00	s	RESISTOR,CHIP 10K 1/10W(2012)
R3770	1-216-073-00	s	RESISTOR,CHIP 10K 1/10W(2012)
R3771	1-216-073-00	s	RESISTOR,CHIP 10K 1/10W(2012)
R3772	1-216-073-00	s	RESISTOR,CHIP 10K 1/10W(2012)
R3773	1-216-073-00	s	RESISTOR,CHIP 10K 1/10W(2012)
R3774	1-216-073-00	s	RESISTOR,CHIP 10K 1/10W(2012)
R3775	1-216-073-00	s	RESISTOR,CHIP 10K 1/10W(2012)
R3776	1-216-073-00	s	RESISTOR,CHIP 10K 1/10W(2012)
R3777	1-216-089-91	s	RESISTOR, CHIP 47K 1/10W(2012)
R3778	1-216-089-91	s	RESISTOR, CHIP 47K 1/10W(2012)
R3779	1-216-089-91	s	RESISTOR, CHIP 47K 1/10W(2012)
R3780	1-216-089-91	s	RESISTOR, CHIP 47K 1/10W(2012)
R3781	1-216-089-91	s	RESISTOR, CHIP 47K 1/10W(2012)
R3782	1-216-089-91	s	RESISTOR, CHIP 47K 1/10W(2012)
R3783	1-216-089-91	s	RESISTOR, CHIP 47K 1/10W(2012)
R3784	1-216-085-00	s	RESISTOR CHIP 33K 1/10W(2012)

T BOARD

Ref. No. or Q'ty	Part No.	SP	Description
1pc	8-330-030-10	s	MOUNTED CIRCUIT BOARD, T
C1901	1-124-779-00	s	CAPACITOR,ELECT 10MF/16V
C1902	1-126-395-11	s	CAPACITOR,ELECT 22MF/16V(CHIP)
C1903	1-126-395-11	s	CAPACITOR,ELECT 22MF/16V(CHIP)
C1904	1-163-031-11	s	CAPACITOR, CHIP CERAMIC 0.01MF
C1906	1-124-779-00	s	CAPACITOR,ELECT 10MF/16V
C1908	1-163-031-11	s	CAPACITOR, CHIP CERAMIC 0.01MF
C1909	1-126-395-11	s	CAPACITOR,ELECT 22MF/16V(CHIP)
C1912	1-126-395-11	s	CAPACITOR,ELECT 22MF/16V(CHIP)
C1913	1-163-031-11	s	CAPACITOR, CHIP CERAMIC 0.01MF
C1914	1-163-031-11	s	CAPACITOR, CHIP CERAMIC 0.01MF
C1916	1-126-395-11	s	CAPACITOR,ELECT 22MF/16V(CHIP)
C1917	1-163-031-11	s	CAPACITOR, CHIP CERAMIC 0.01MF
CN1901	1-774-523-11	o	PIN, CONNECTOR (PC BOARD) 64P
CN1902	1-774-525-11	s	SOCKET, CONNECTOR 64P
CN1903	1-564-518-11	o	PLUG,CONNECTOR 3P
CN1904	1-564-524-11	o	PLUG,CONNECTOR (9P)(L-TYPE)
CN1905	1-564-523-11	o	PLUG,CONNECTOR (8P)(L-TYPE)
CN1906	1-564-522-11	o	PLUG,CONNECTOR (7P)(L-TYPE)
IC1901	8-759-710-86	s	IC NJM2233BM
IC1902	8-759-710-86	s	IC NJM2233BM
IC1903	8-759-671-94	s	IC MC74HC4053AFEL
IC1906	8-759-327-60	s	IC TC7W125FU-TE12R
Q1901	8-729-112-65	s	TRANSISTOR 2SA1462
Q1902	8-729-112-65	s	TRANSISTOR 2SA1462
Q1903	8-729-112-65	s	TRANSISTOR 2SA1462
Q1904	8-729-107-31	s	TRANSISTOR 2SC3545
Q1905	8-729-107-31	s	TRANSISTOR 2SC3545
Q1906	8-729-112-65	s	TRANSISTOR 2SA1462
Q1907	8-729-107-31	s	TRANSISTOR 2SC3545
Q1908	8-729-112-65	s	TRANSISTOR 2SA1462
Q1909	8-729-112-65	s	TRANSISTOR 2SA1462
R1907	1-216-049-11	s	RESISTOR, CHIP 1K 1/10W(2012)
R1909	1-216-025-00	s	RESISTOR,CHIP 100 1/10W(2012)
R1910	1-216-025-00	s	RESISTOR,CHIP 100 1/10W(2012)
R1911	1-216-025-00	s	RESISTOR,CHIP 100 1/10W(2012)
R1913	1-216-057-00	s	RESISTOR CHIP 2.2K 1/10W(2012)
R1914	1-216-061-00	s	RESISTOR CHIP 3.3K 1/10W(2012)
R1915	1-216-025-00	s	RESISTOR,CHIP 100 1/10W(2012)
R1916	1-216-025-00	s	RESISTOR,CHIP 100 1/10W(2012)
R1917	1-216-025-00	s	RESISTOR,CHIP 100 1/10W(2012)
R1918	1-216-049-11	s	RESISTOR, CHIP 1K 1/10W(2012)
R1919	1-216-049-11	s	RESISTOR, CHIP 1K 1/10W(2012)
R1920	1-216-049-11	s	RESISTOR, CHIP 1K 1/10W(2012)
R1921	1-216-025-00	s	RESISTOR,CHIP 100 1/10W(2012)
R1922	1-216-057-00	s	RESISTOR CHIP 2.2K 1/10W(2012)
R1923	1-216-025-00	s	RESISTOR,CHIP 100 1/10W(2012)
R1924	1-216-057-00	s	RESISTOR CHIP 2.2K 1/10W(2012)
R1925	1-216-049-11	s	RESISTOR, CHIP 1K 1/10W(2012)
R1926	1-216-025-00	s	RESISTOR,CHIP 100 1/10W(2012)
R1927	1-216-057-00	s	RESISTOR CHIP 2.2K 1/10W(2012)
R1928	1-216-049-11	s	RESISTOR, CHIP 1K 1/10W(2012)
R1929	1-216-049-11	s	RESISTOR, CHIP 1K 1/10W(2012)
R1930	1-216-049-11	s	RESISTOR, CHIP 1K 1/10W(2012)
R1931	1-216-049-11	s	RESISTOR, CHIP 1K 1/10W(2012)
R1932	1-216-049-11	s	RESISTOR, CHIP 1K 1/10W(2012)

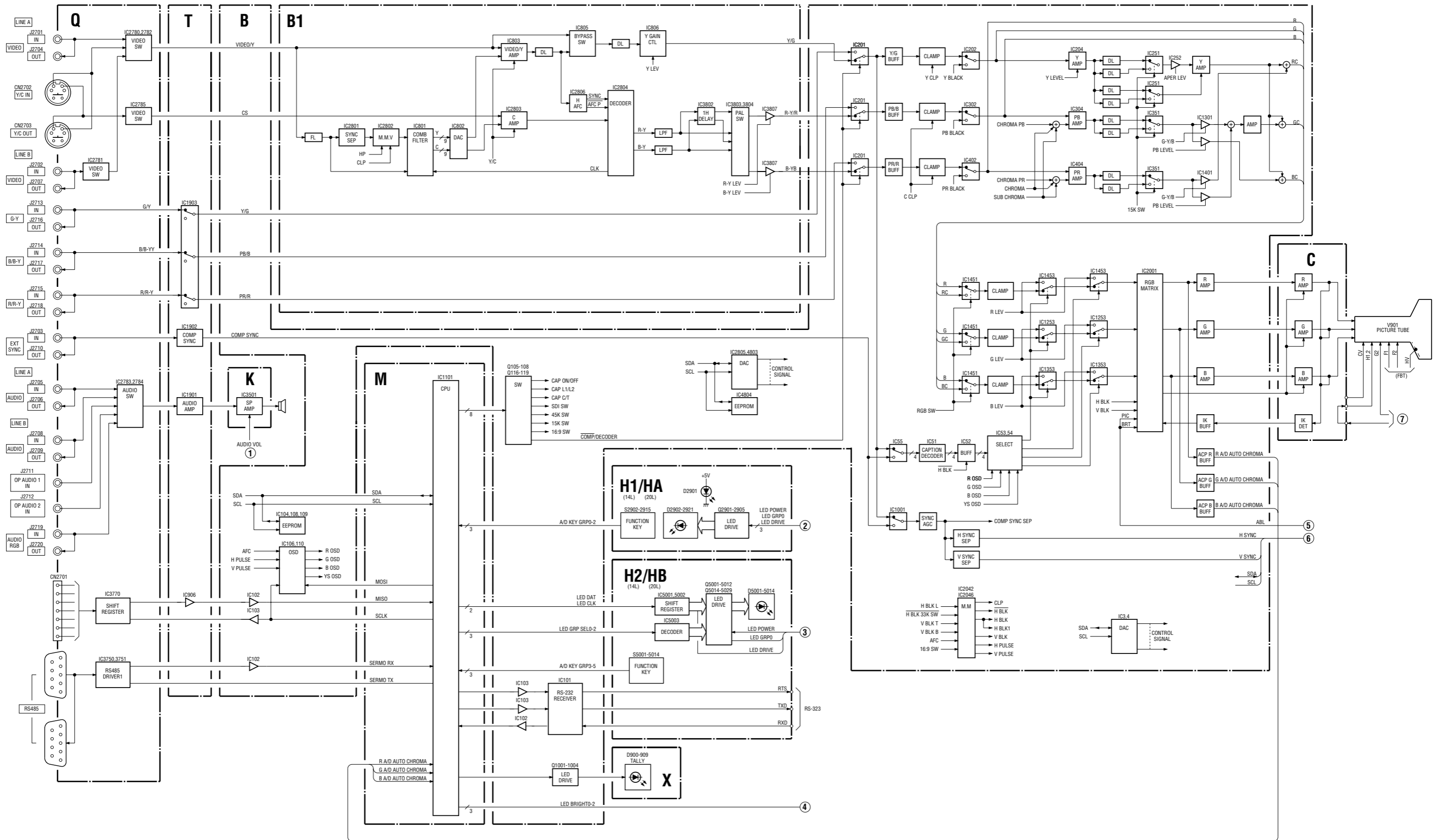
X BOARD

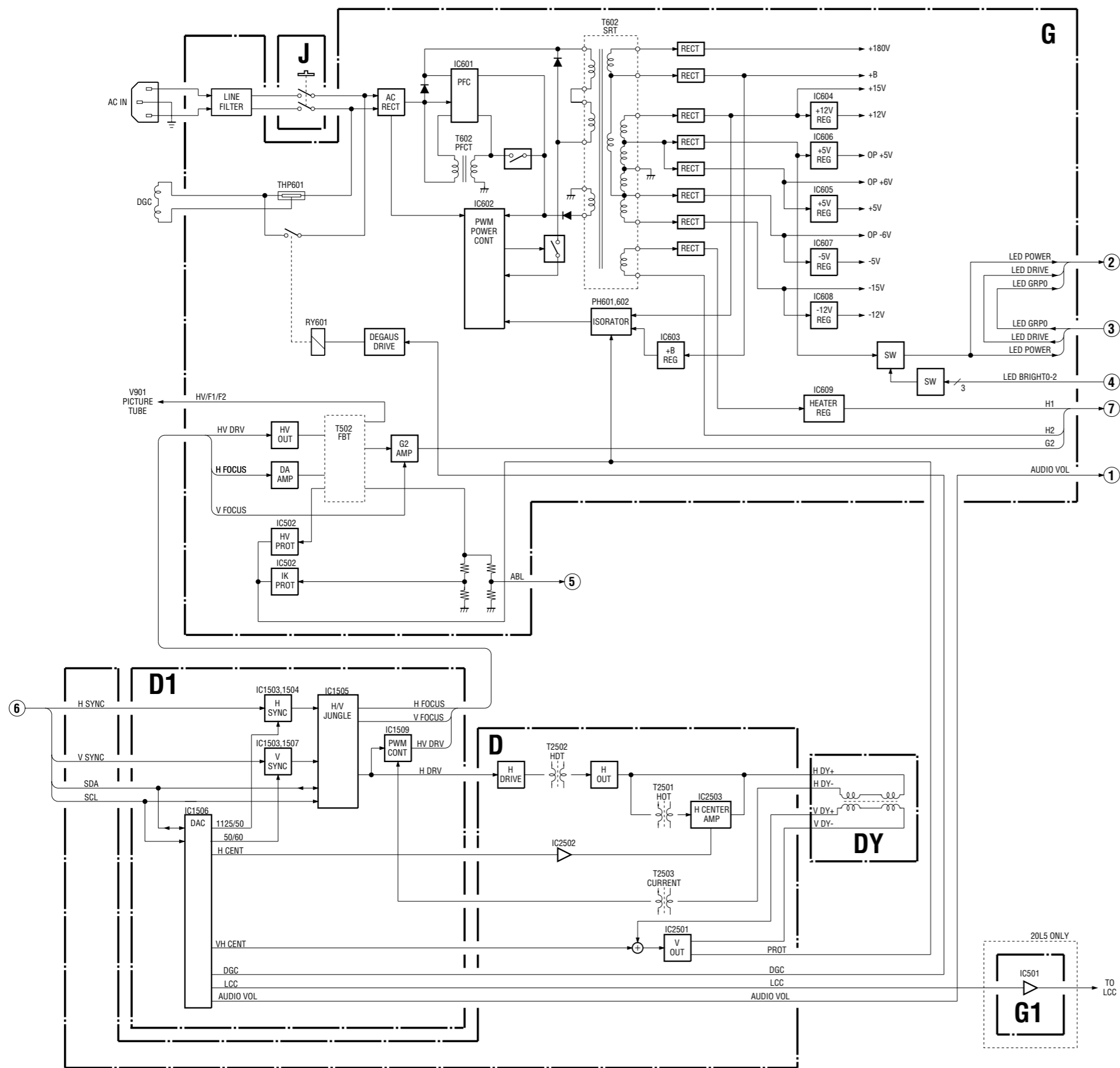
Ref. No. or Q'ty	Part No.	SP	Description
1pc	8-330-030-11	s	MOUNTED CIRCUIT BOARD, X
CN900	1-580-056-21	o	PIN,CONNECTOR 3P
D900	8-719-054-22	s	LED SML-020MLTT87
D901	8-719-054-22	s	LED SML-020MLTT87
D902	8-719-054-22	s	LED SML-020MLTT87
D903	8-719-054-22	s	LED SML-020MLTT87
D904	8-719-054-22	s	LED SML-020MLTT87
D905	8-719-054-22	s	LED SML-020MLTT87
D906	8-719-054-22	s	LED SML-020MLTT87
D907	8-719-054-22	s	LED SML-020MLTT87
D908	8-719-054-22	s	LED SML-020MLTT87
D909	8-719-054-22	s	LED SML-020MLTT87
D910	8-719-977-95	s	DIODE DTZ2.4B-TT11 (5MA)
D911	8-719-977-95	s	DIODE DTZ2.4B-TT11 (5MA)
R900	1-216-061-00	s	RESISTOR CHIP 3.3K 1/10W(2012)
R901	1-216-061-00	s	RESISTOR CHIP 3.3K 1/10W(2012)
R902	1-216-055-00	s	RESISTOR CHIP 1.8K 1/10W(2012)
R903	1-216-055-00	s	RESISTOR CHIP 1.8K 1/10W(2012)
R904	1-216-061-00	s	RESISTOR CHIP 3.3K 1/10W(2012)
R905	1-216-061-00	s	RESISTOR CHIP 3.3K 1/10W(2012)
R906	1-216-055-00	s	RESISTOR CHIP 1.8K 1/10W(2012)
R907	1-216-055-00	s	RESISTOR CHIP 1.8K 1/10W(2012)
R908	1-216-061-00	s	RESISTOR CHIP 3.3K 1/10W(2012)
R909	1-216-061-00	s	RESISTOR CHIP 3.3K 1/10W(2012)
R910	1-216-055-00	s	RESISTOR CHIP 1.8K 1/10W(2012)
R911	1-216-055-00	s	RESISTOR CHIP 1.8K 1/10W(2012)
R912	1-216-061-00	s	RESISTOR CHIP 3.3K 1/10W(2012)
R913	1-216-061-00	s	RESISTOR CHIP 3.3K 1/10W(2012)
R914	1-216-055-00	s	RESISTOR CHIP 1.8K 1/10W(2012)
R915	1-216-055-00	s	RESISTOR CHIP 1.8K 1/10W(2012)
R920	1-216-061-00	s	RESISTOR CHIP 3.3K 1/10W(2012)
R921	1-216-061-00	s	RESISTOR CHIP 3.3K 1/10W(2012)
R923	1-216-055-00	s	RESISTOR CHIP 1.8K 1/10W(2012)
R924	1-216-055-00	s	RESISTOR CHIP 1.8K 1/10W(2012)

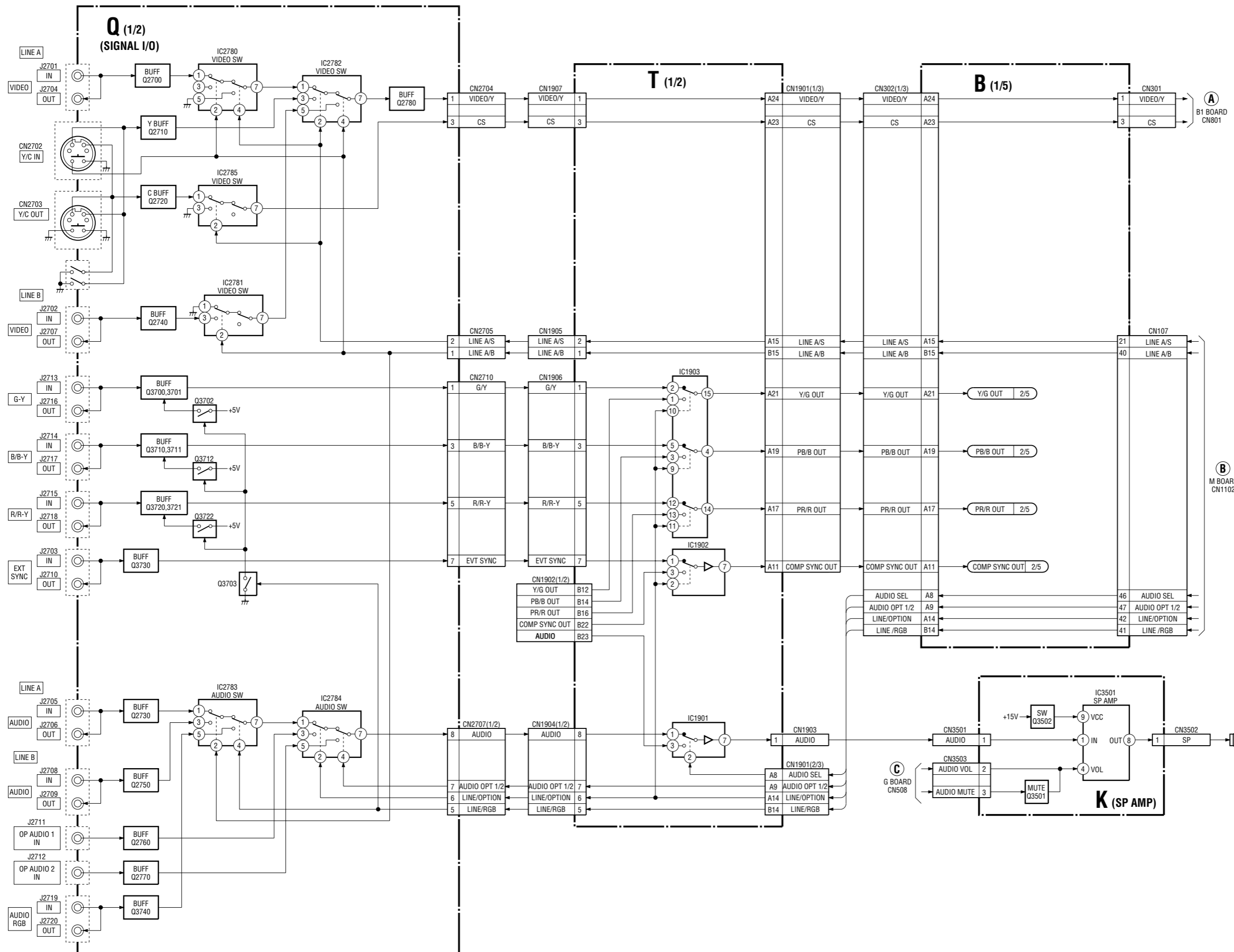
PACKING MATERIALS & SUPPLIED ACCESSORIES

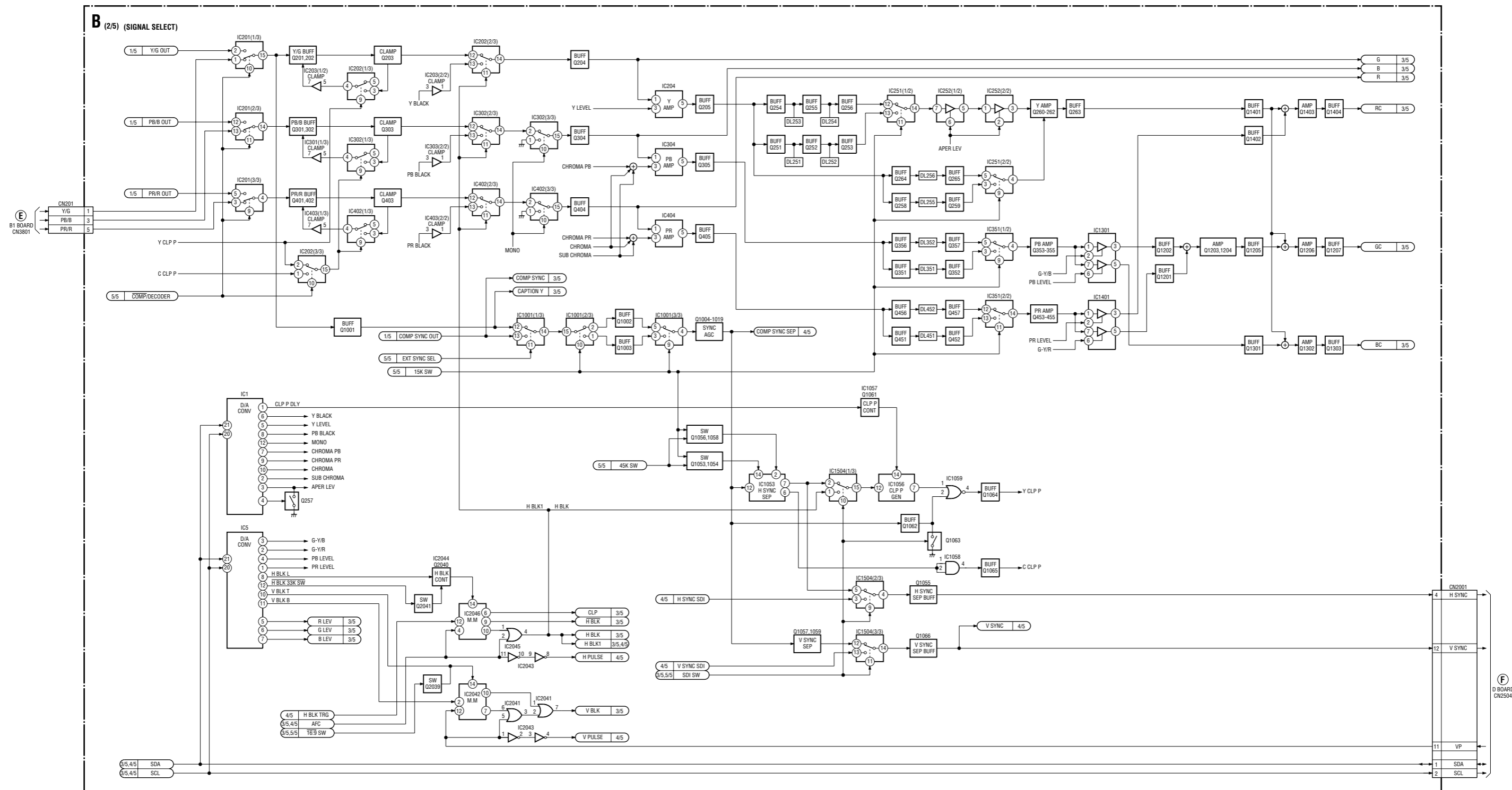
Ref. No. or Q'ty	Part No.	SP	Description
1pc	Δ 1-765-718-11	s	CORD SET, POWER (3P) (10A/125V)
1pc	2-990-242-01	s	HOLDER (B),PLUG
1pc	4-086-475-03	s	OPERATING INSTRUCTIONS (JAPANESE, ENGLISH, FRENCH, SPANISH)

Section 8 Block Diagrams

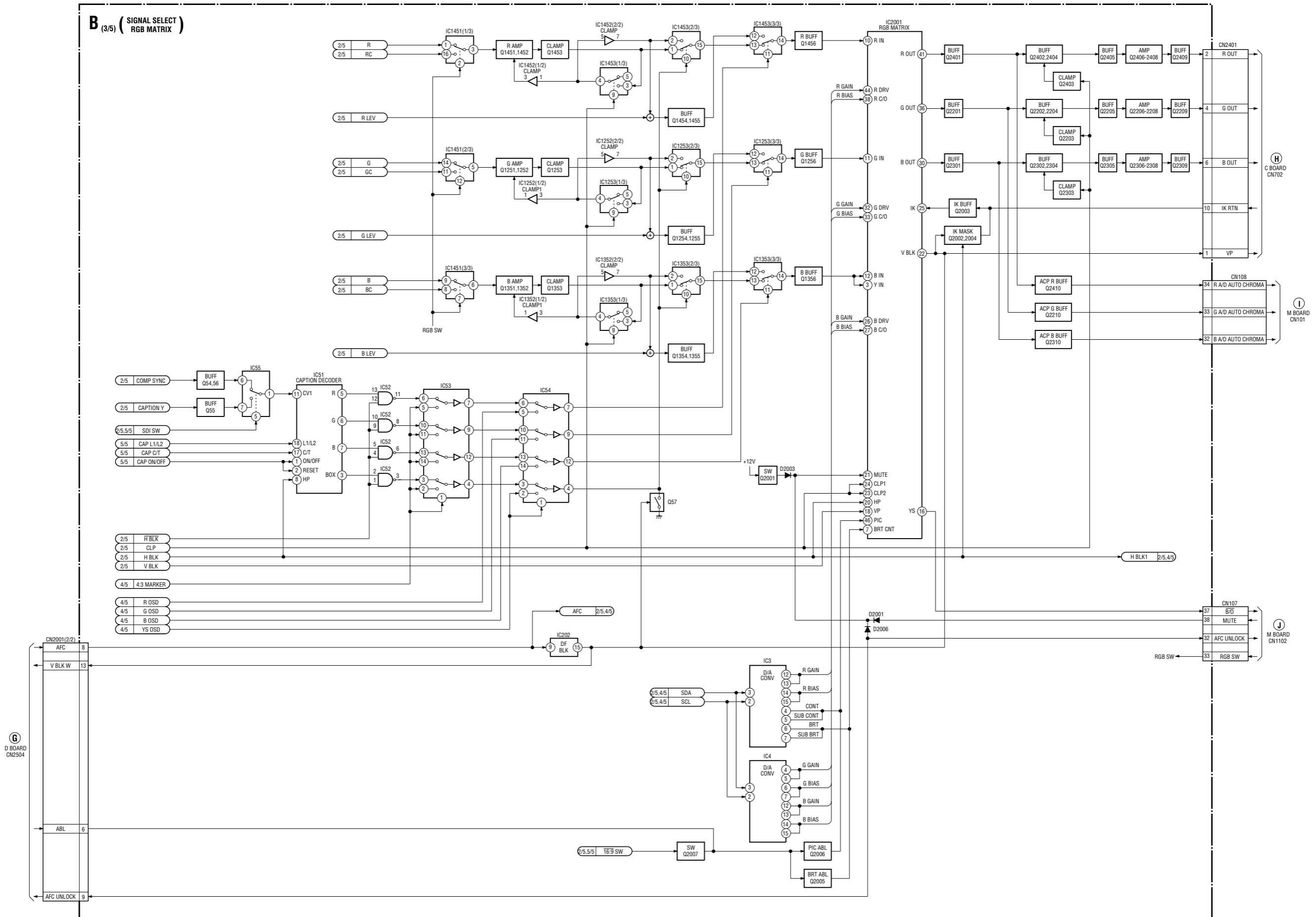








**B (3/5) (SIGNAL SELECT)
RGB MATRIX**

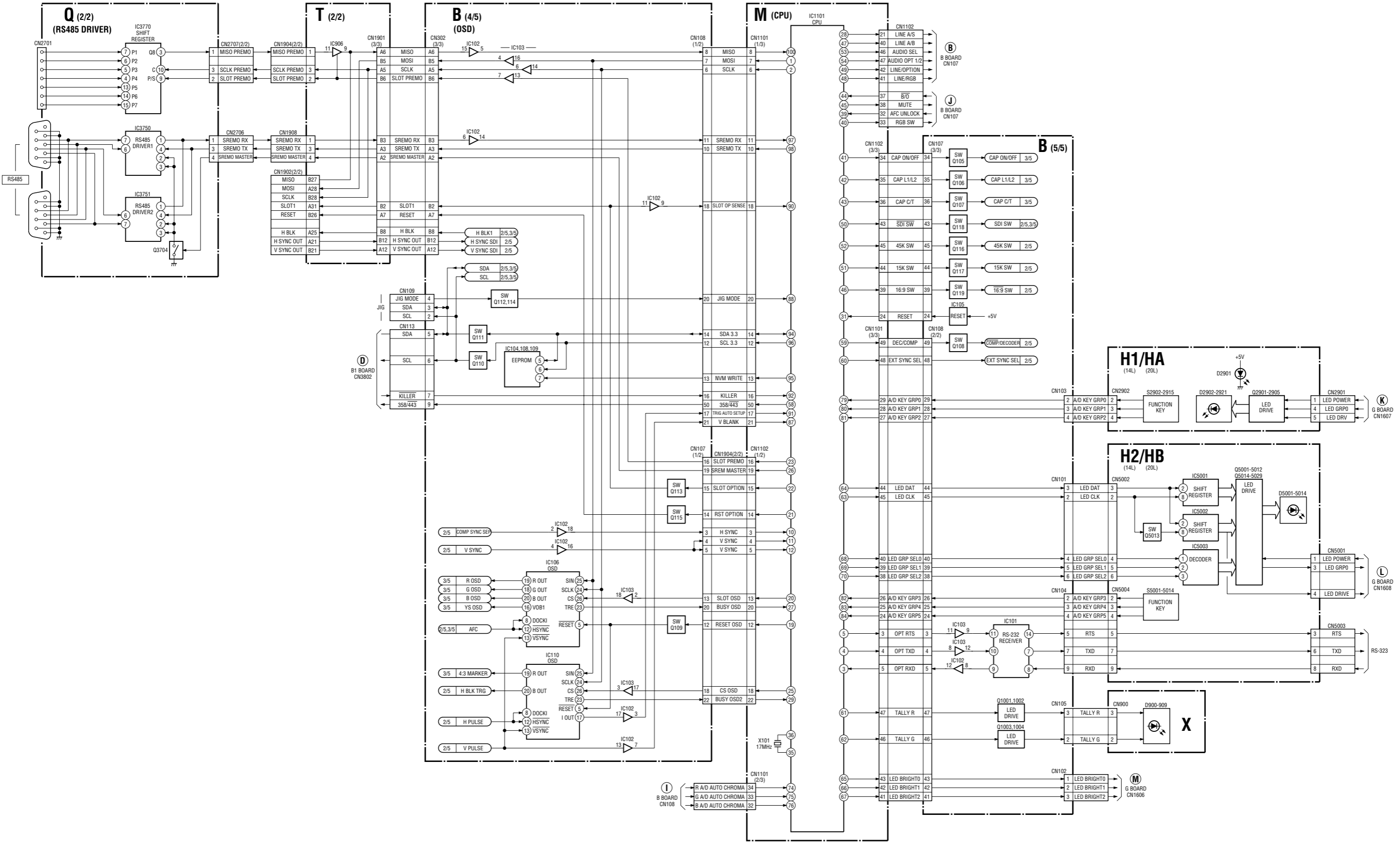


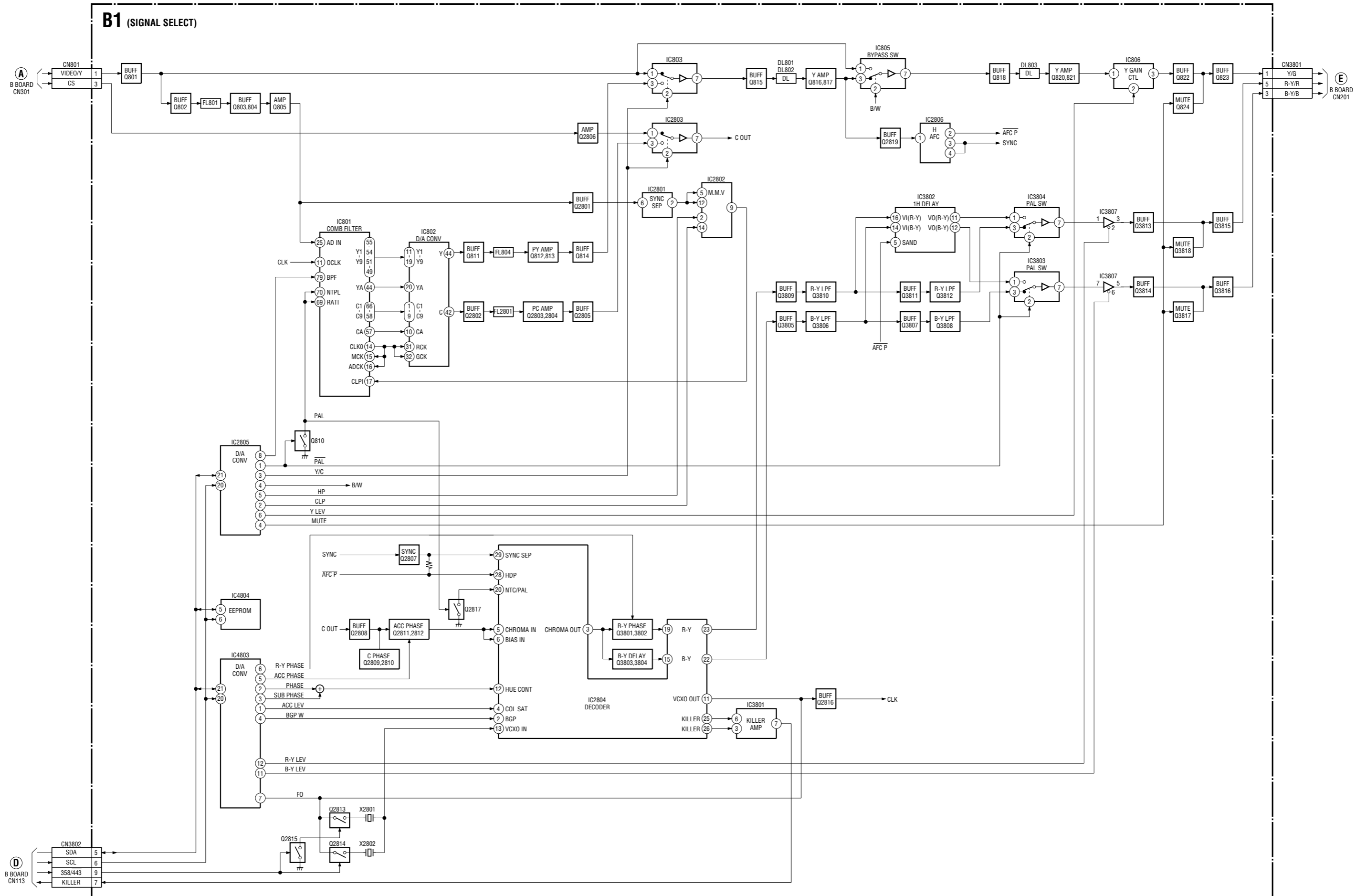
⑥ D BOARD CN2504

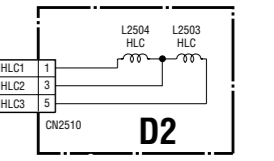
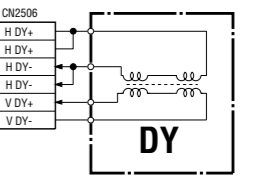
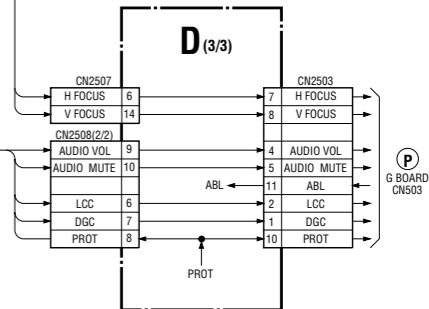
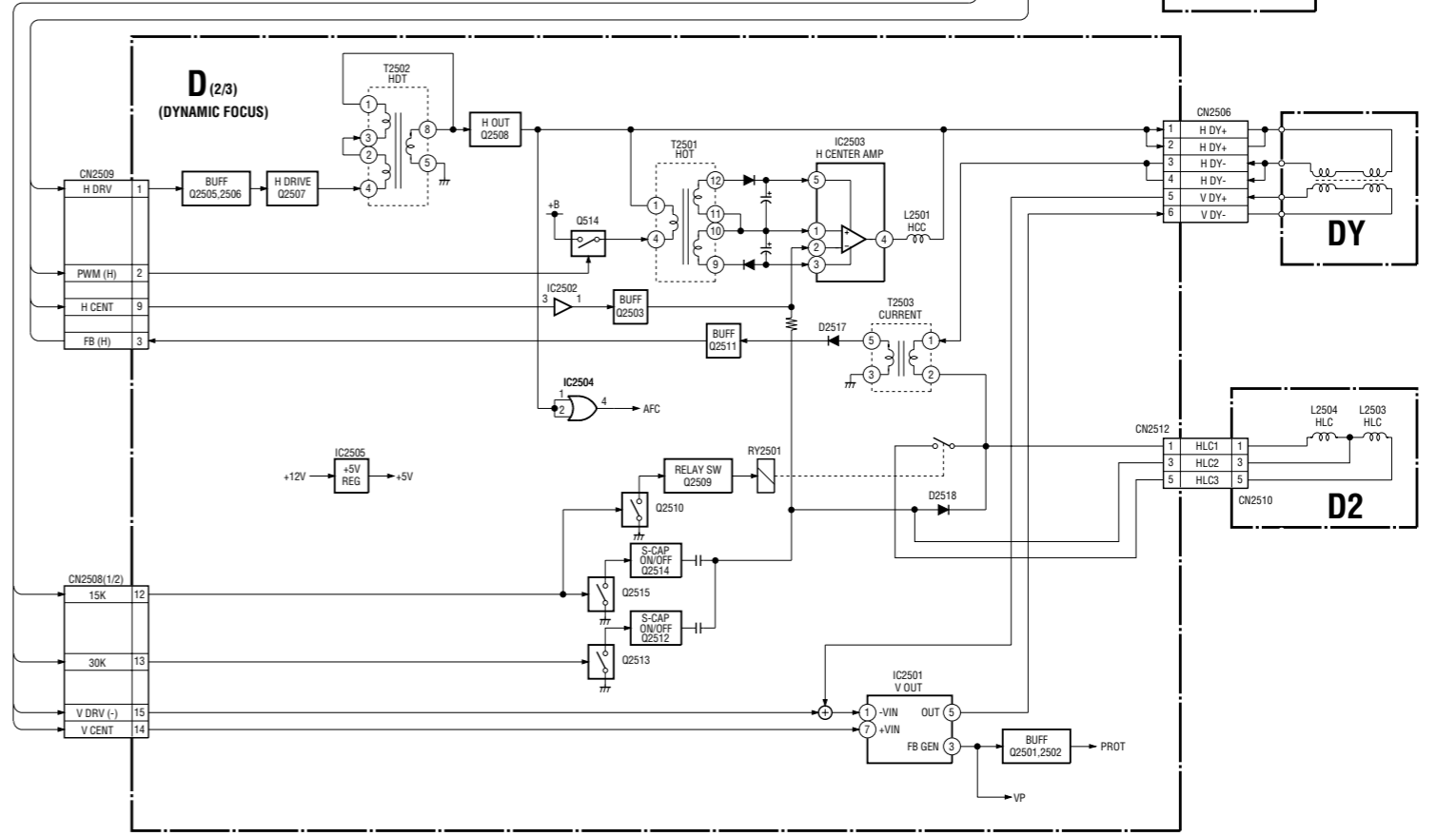
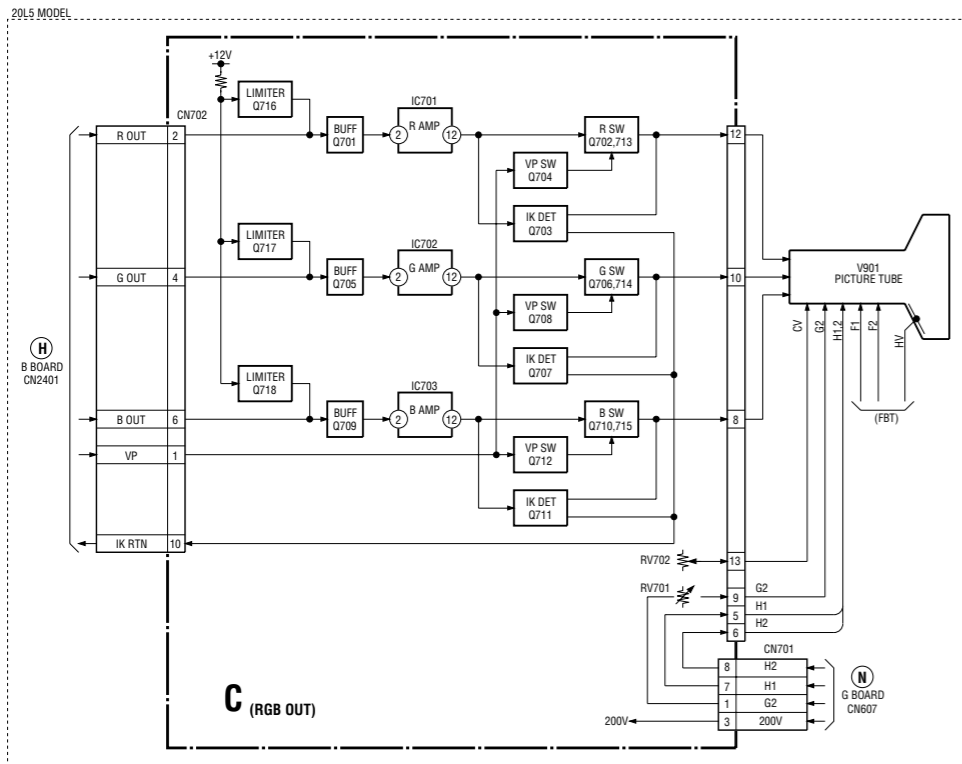
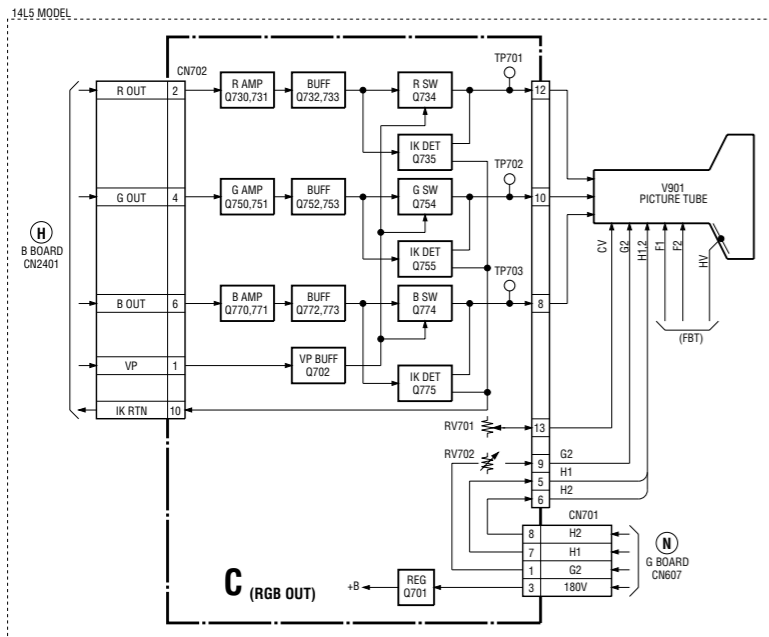
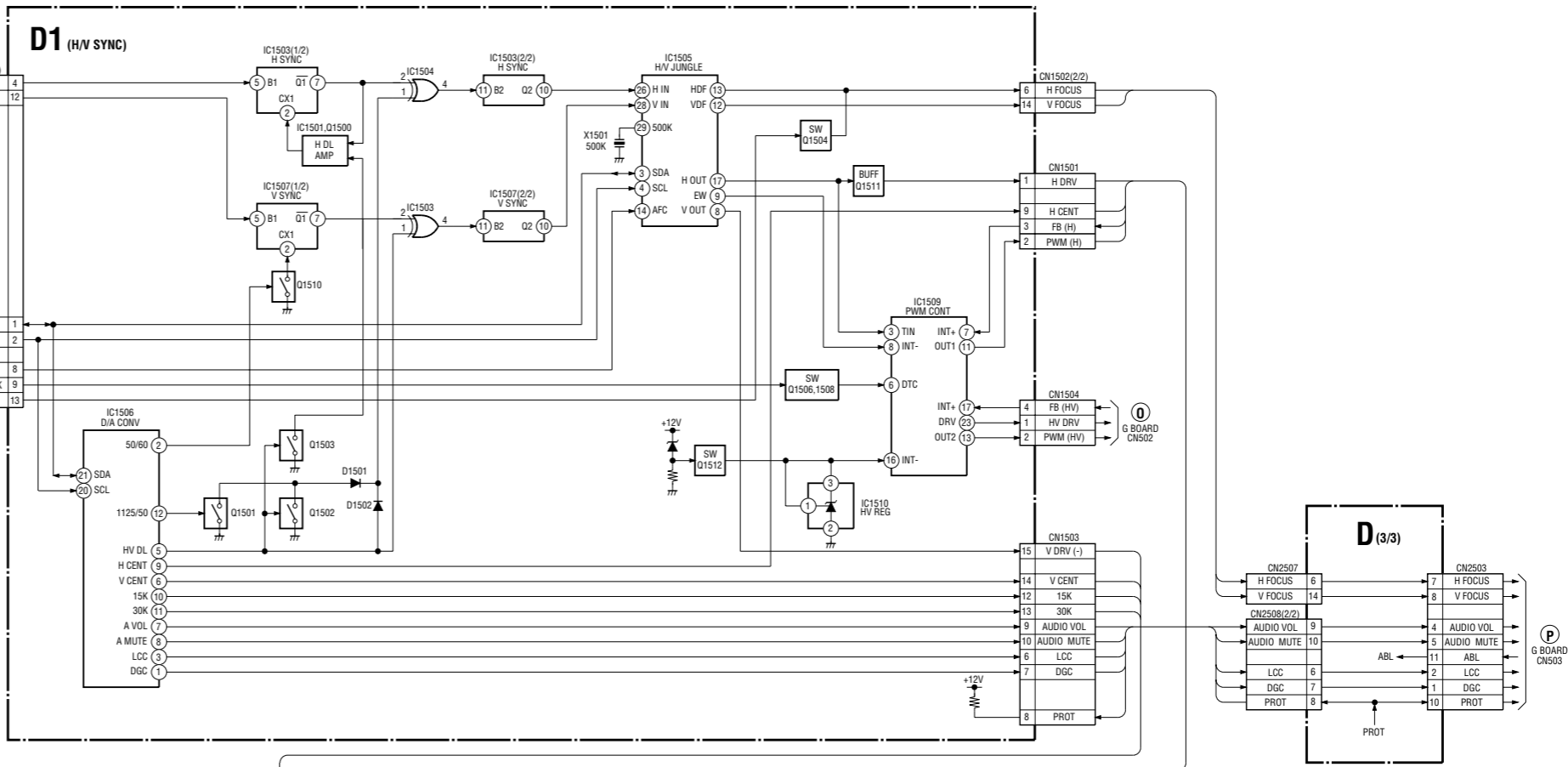
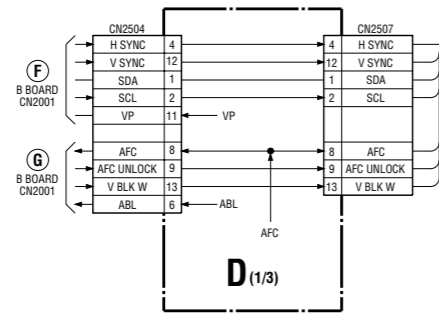
⑨ C BOARD CN702

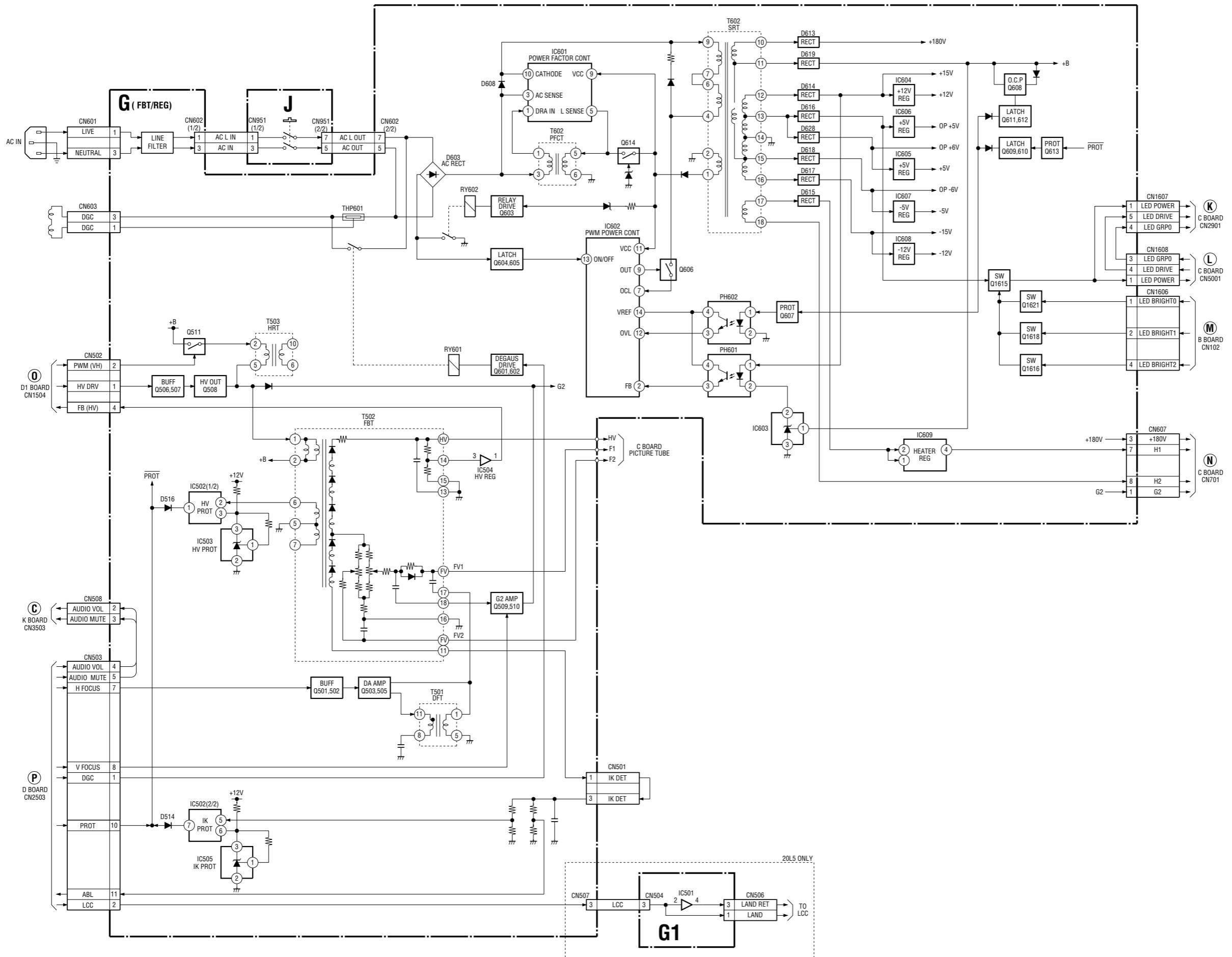
⑩ M BOARD CN101

⑪ M BOARD CN102



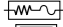
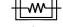
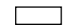









Section 9 Diagrams

Note:



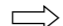
- Parts marked “ * ” differ according to the model/destination. Refer to the mount table for each function.
- All capacitors are in μF unless otherwise noted. pF: $\mu\mu\text{F}$ 50WV or less are not indicated except for electrolytics.
- All electrolytics are in 50 V unless otherwise specified.
-  : fusible resistor
-  : nonflammable resistor
- Δ : internal component
-  : panel designation and adjustment for repair
- Caution when replacing chip parts
New parts must be attached after removal of the chip.
Be careful not to heat the minus side of a tantalum capacitor, because it is easily damaged by the heat.

Reference information

RESISTOR	RN	: METAL FILM
	RC	: SOLID
	FPRD	: NONFLAMMABLE CARBON
	FUSE	: NONFLAMMABLE FUSIBLE
	RS	: NONFLAMMABLE METAL OXIDE
	RB	: NONFLAMMABLE CEMENT
	RW	: NONFLAMMABLE WIREWOUND
	※	: ADJUSTMENT RESISTOR
COIL	LF-8L	: MICRO INDUCTOR
CAPACITOR	TA	: TANTALUM
	PS	: STYROL
	PP	: POLYPROPYLENE
	PT	: MYLAR
	MPS	: METALIZED POLYESTER
	MPP	: METALIZED POLYPROPYLENE
	ALB	: BIPOLAR
	ALT	: HIGH TEMPERATURE
ALR	: HIGH RIPPLE	


- The components marked  in this schematic diagram have been carefully factory-selected for each set in order to satisfy regulations regarding X-ray radiation.
- When replacing components marked , make the necessary adjustments indicated. If results do not meet the specified value, change the component marked  and repeat the adjustment until the specified value is achieved.
- When replacing a part shown in the table below, be sure to perform the related adjustment.

[Measuring conditions, voltage and waveform]

- A voltage value is the reference value between the measurement point and the earth, when the SECAM color bar signal and RGB color bar signal are received from the color bar generator (digital multi-meter used: 10 M ohms/V DC).
- Unit of voltage is V (volt).
(Voltage variations may occur due to normal production tolerances.)
-  : B line
- No mark : SECAM (3.58 MHz) color bar signal.
-  : Measurement disabled.
-  : Signal path.

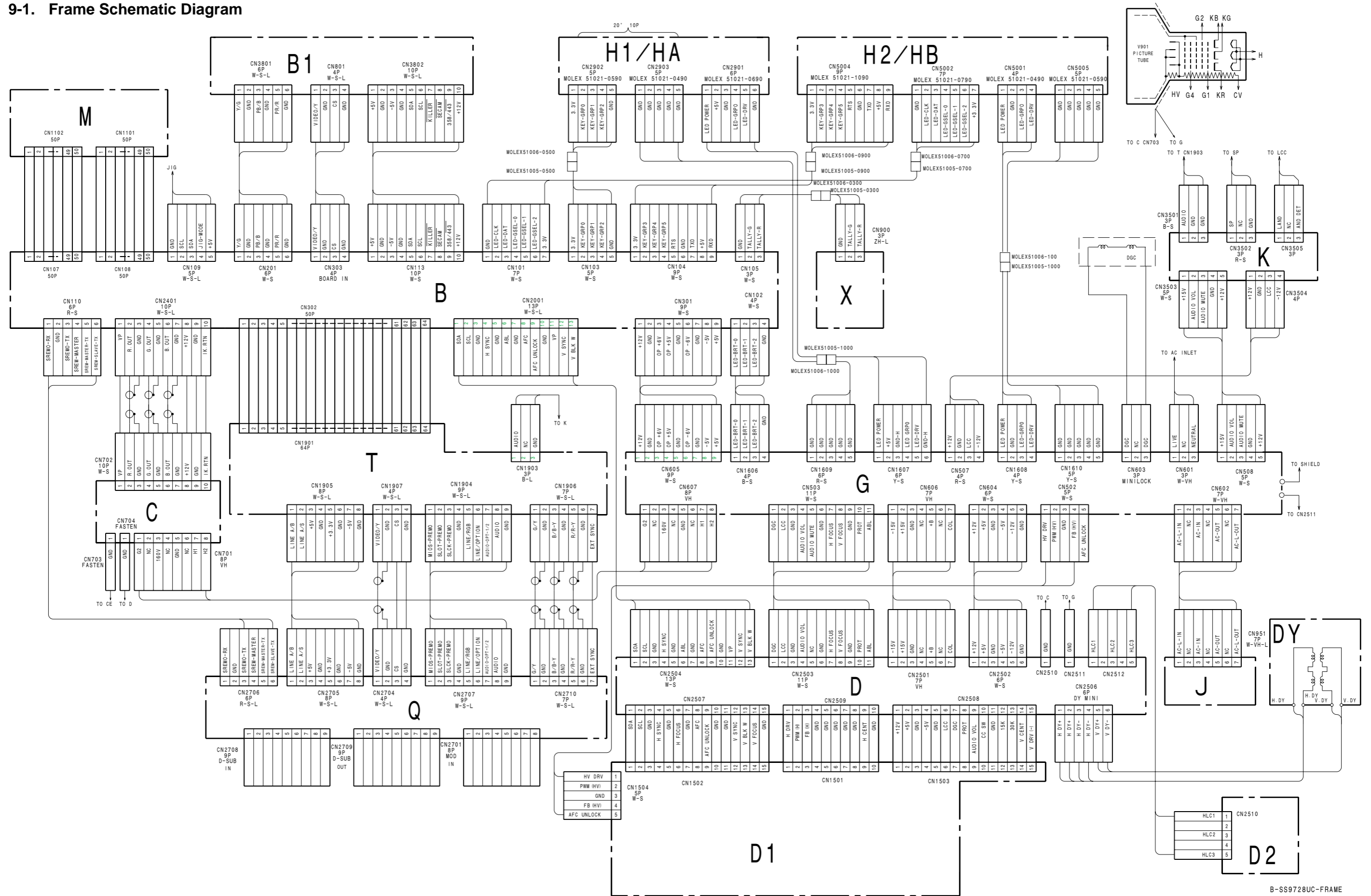
The components identified marked Δ are critical for safety.
Replace only with the part number specified.

Les composants identifiés par la marque Δ sont critiques pour la sécurité.
Ne les remplacer que par une pièce portant le numéro spécifié.



NOTE:
The circuit indicated as shown on the left contains high voltages of over 600 Vp-p. Take care to avoid electric shock during inspection or repair work.

9-1. Frame Schematic Diagram



1

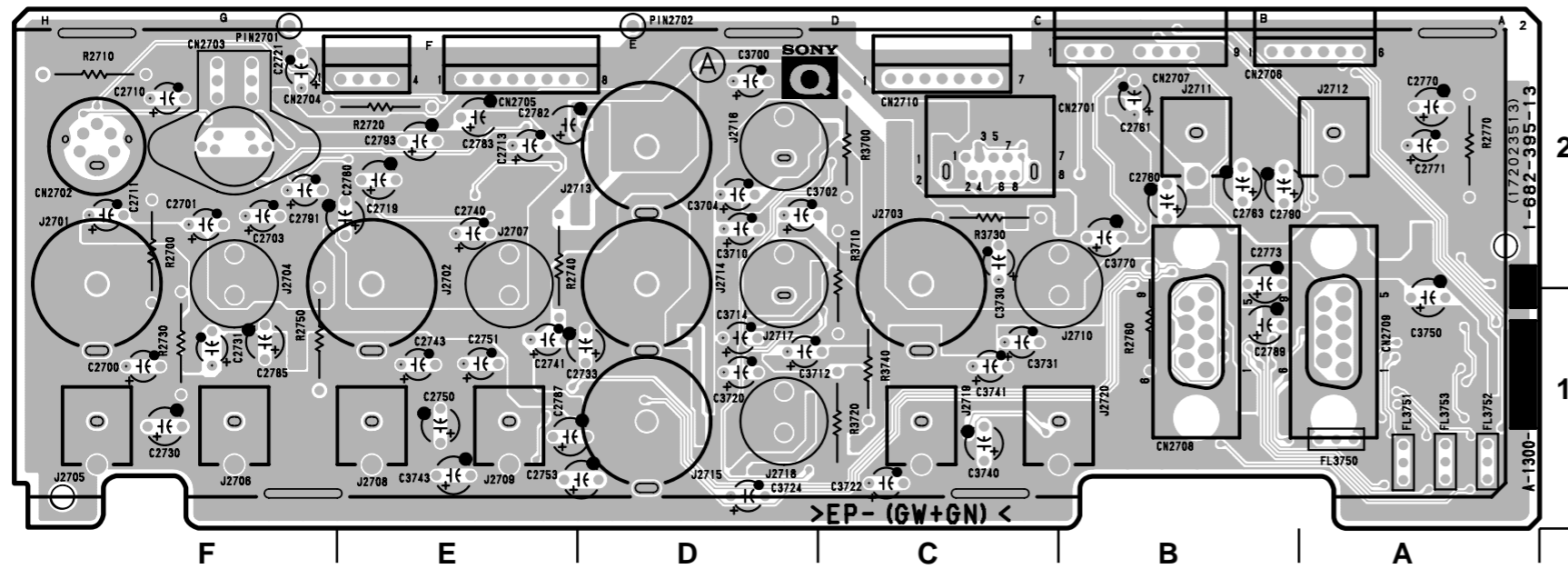
2

3

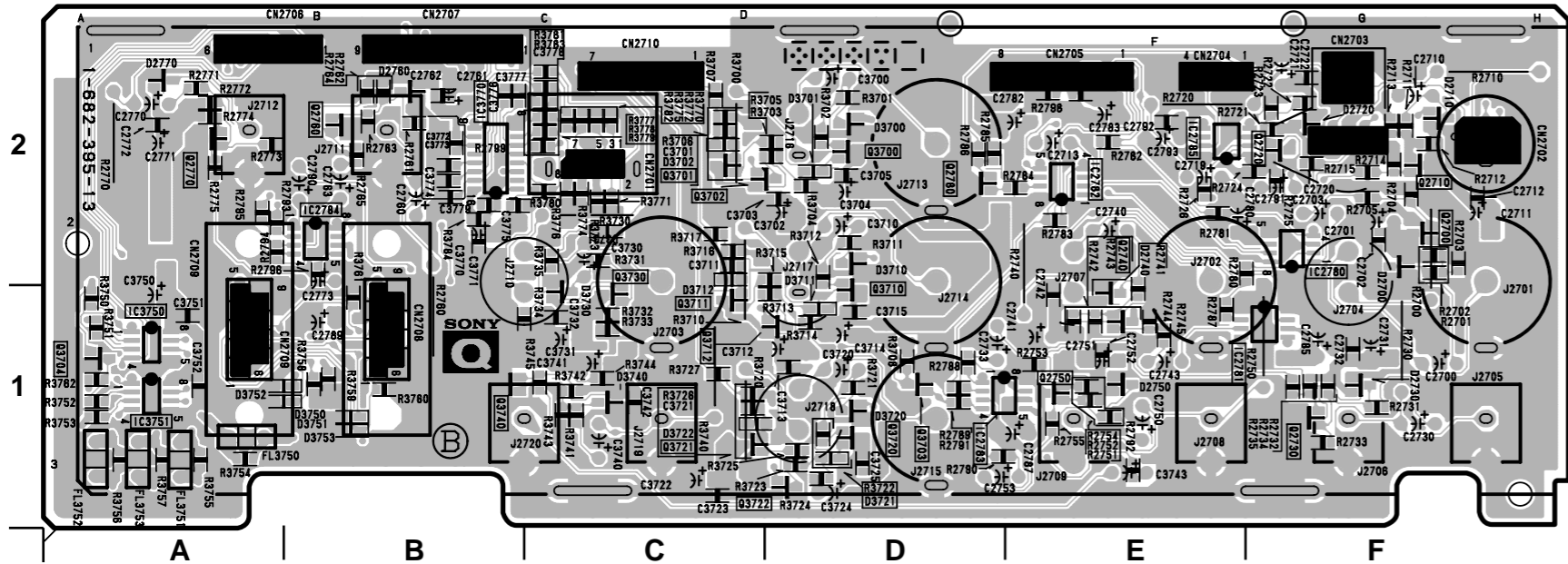
4

5

9-2. Schematic Diagrams and Printed Wiring Boards

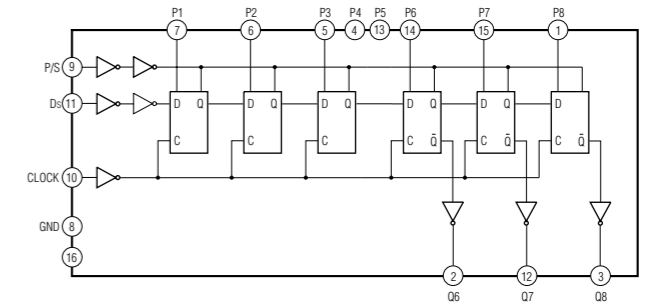


Q -A SIDE-
SUFFIX: -13

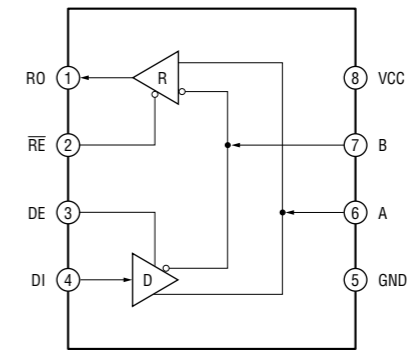


Q -B SIDE-
SUFFIX: -13

Q (1/2) BU4021BF-E2 (IC3770)



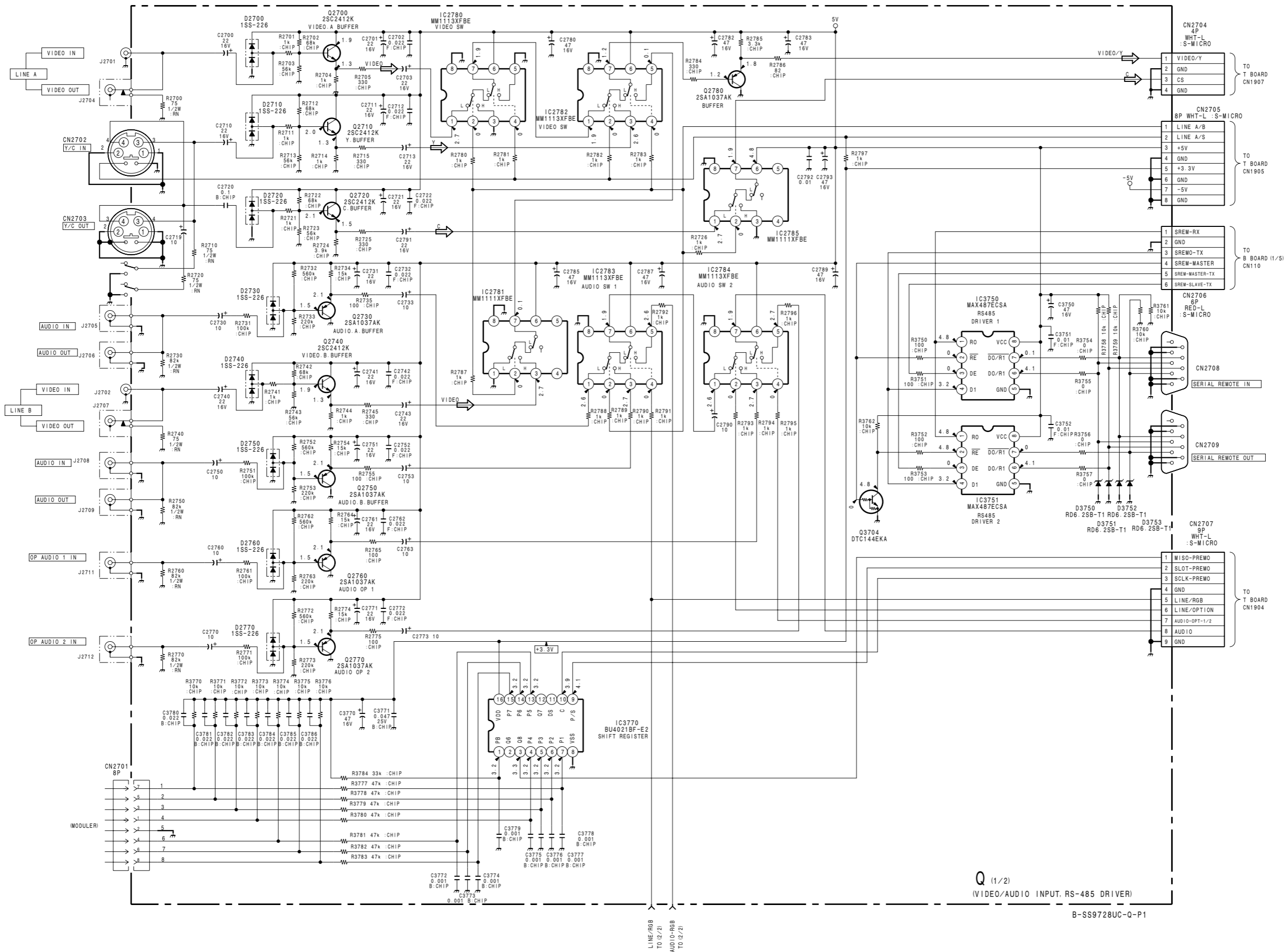
Q (1/2) MAX487ECSA (IC3750, IC3751)



Q BOARD

*: B SIDE

D2700	* F-2	Q2700	* F-2
D2710	* F-2	Q2710	* F-2
D2720	* F-2	Q2720	* F-2
D2730	* F-1	Q2730	* F-1
D2740	* E-1	Q2740	* E-1
D2750	* E-1	Q2750	* E-1
D2760	* B-2	Q2760	* B-2
D2770	* A-2	Q2770	* A-2
D3700	* D-2	Q2780	* D-2
D3701	* D-2	Q3700	* D-2
D3702	* C-2	Q3701	* C-2
D3710	* D-2	Q3702	* C-2
D3711	* D-1	Q3703	* D-1
D3712	* C-1	Q3704	* A-1
D3720	* D-1	Q3710	* D-2
D3721	* D-1	Q3711	* C-1
D3722	* C-1	Q3712	* D-1
D3730	* C-1	Q3720	* D-1
D3740	* C-1	Q3721	* C-1
D3750	* A-1	Q3722	* D-1
D3751	* B-1	Q3730	* C-1
D3752	* A-1	Q3740	* B-1
D3753	* B-1		
IC2780	* F-2		
IC2781	* F-1		
IC2782	* E-2		
IC2783	* D-1		
IC2784	* B-2		
IC2785	* E-2		
IC3750	* A-1		
IC3751	* A-1		
IC3770	* B-2		



Q (1/2)
VIDEO/AUDIO INPUT, RS-485 DRIVER

B-SS9728UC-Q-P1

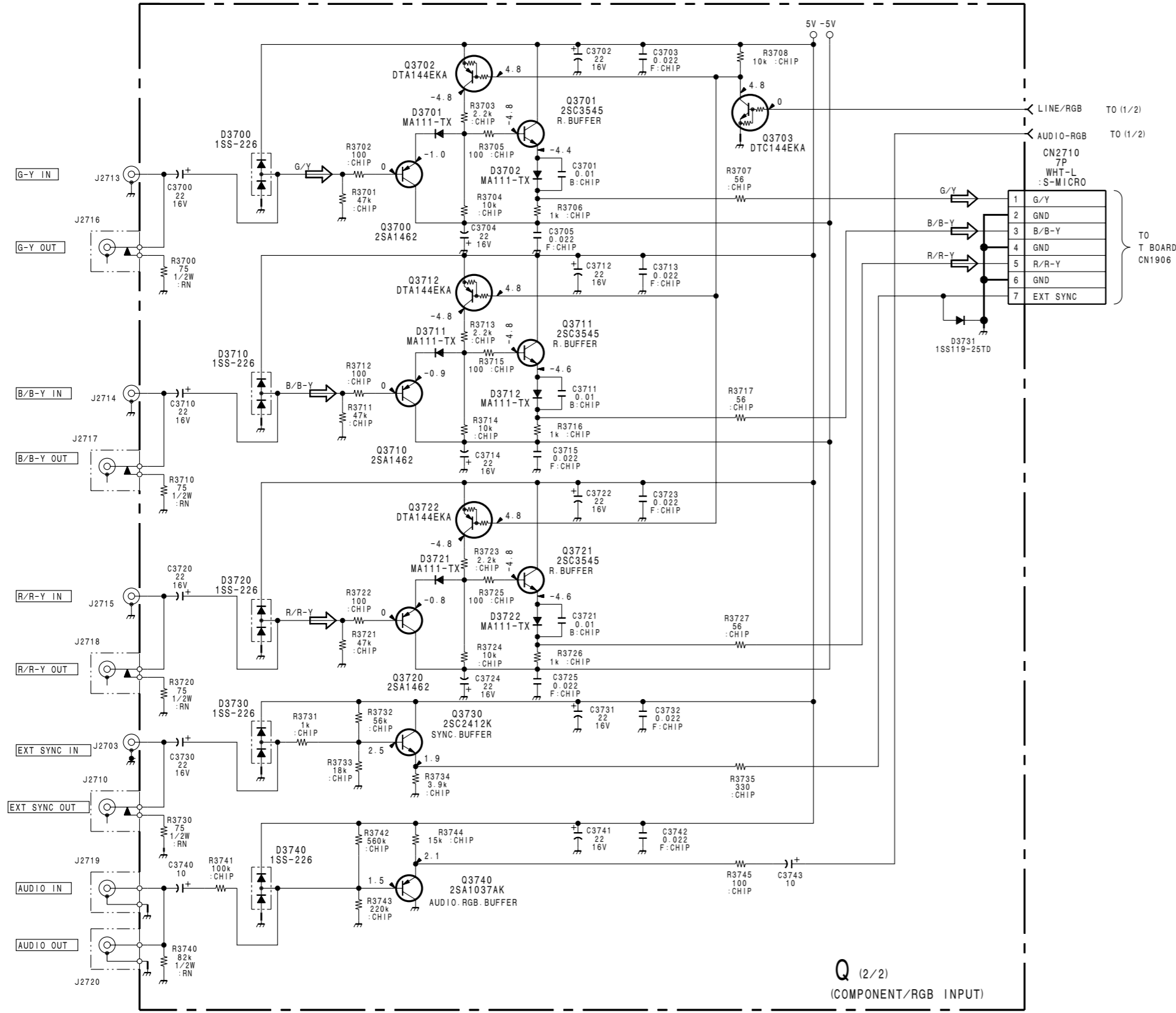
1

2

3

4

5



Q (2/2)
(COMPONENT/RGB INPUT)

B-SS9728UC-Q-P2

9-6

9-6

A

B

C

D

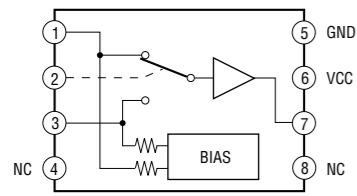
E

F

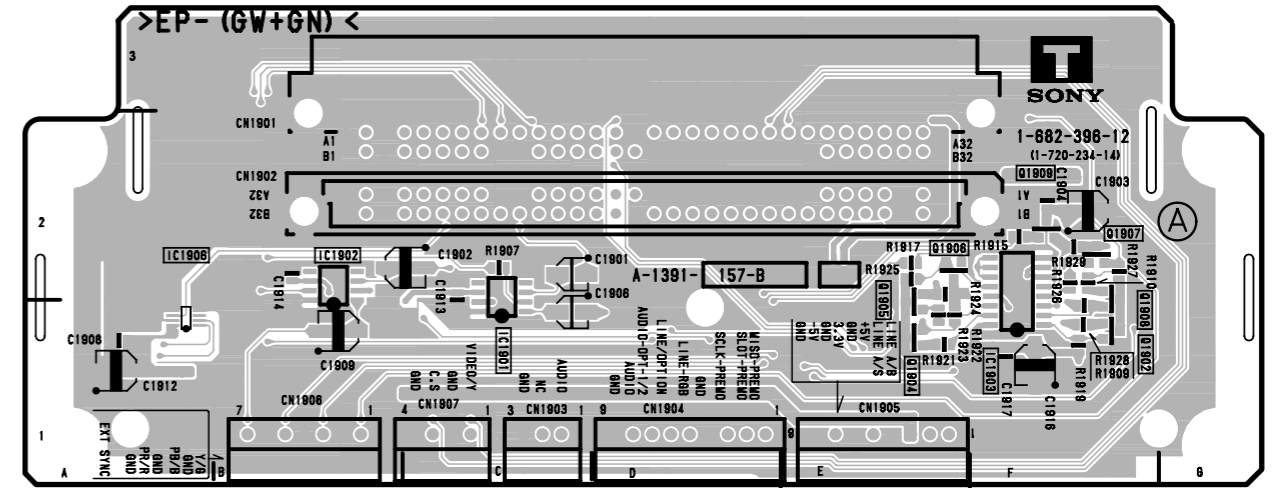
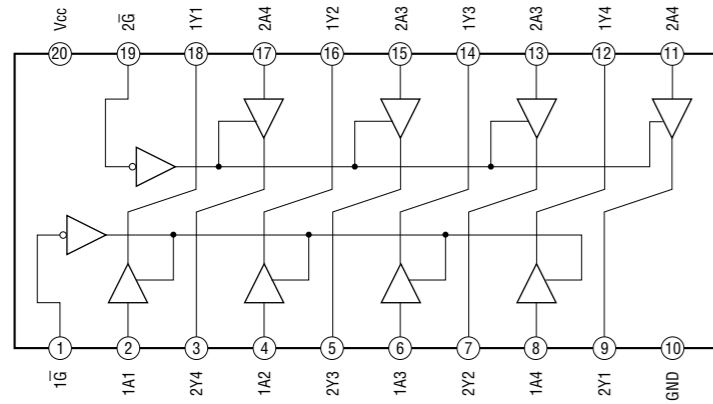
G

H

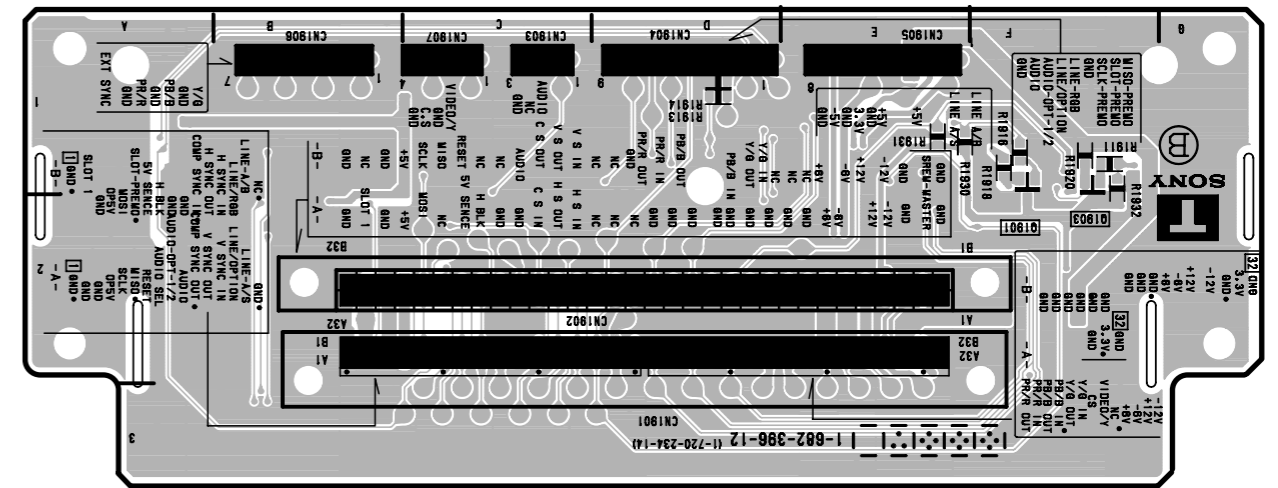
T NJM2233BM (IC1901, IC1902)



T TC74VHCT244AF (IC1906)



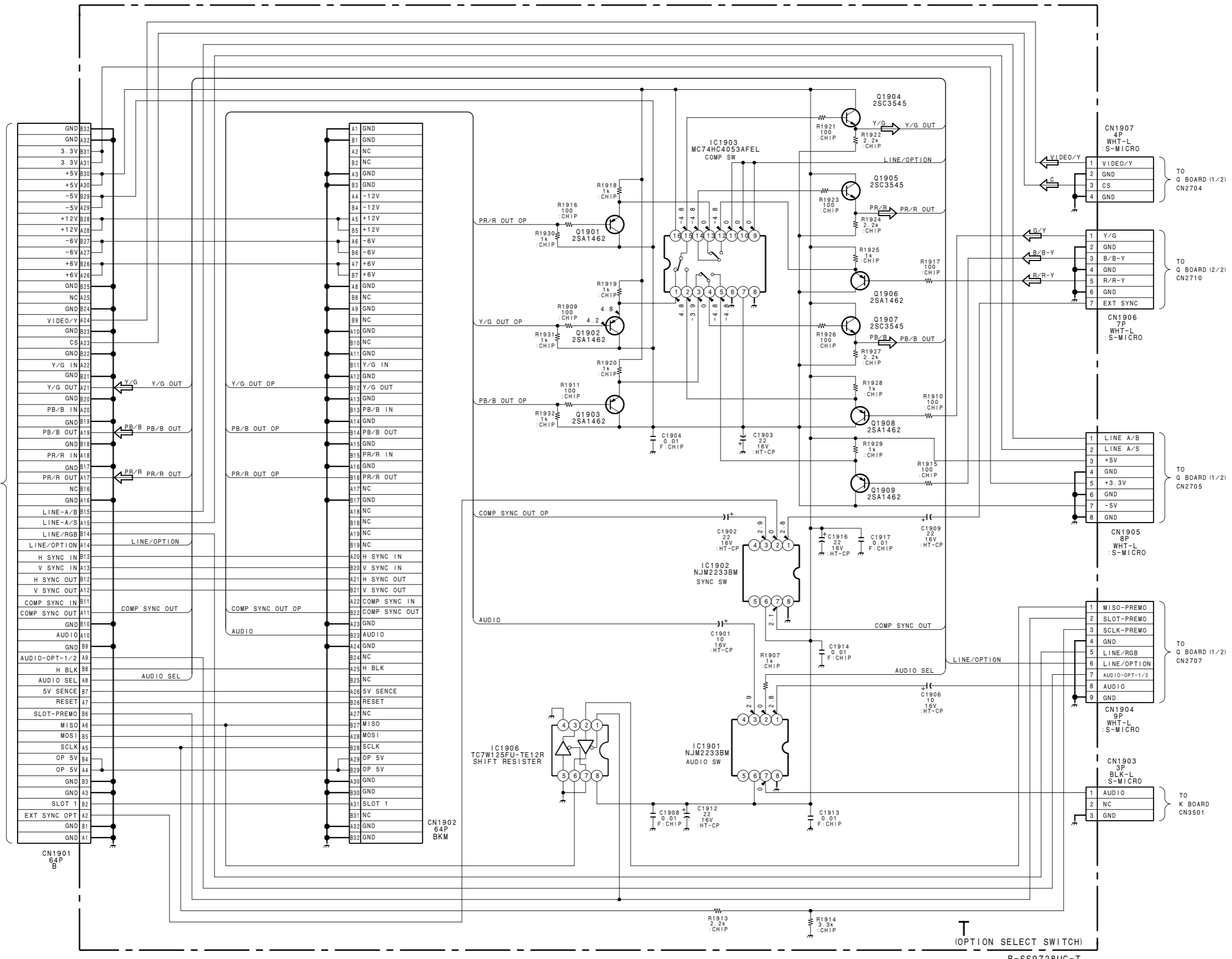
T -A SIDE-
SUFFIX: -12



T -B SIDE-
SUFFIX: -12

T BOARD

- *:B SIDE
- IC1901 C-1
- IC1902 B-2
- IC1903 F-1
- IC1906 A-2
- Q1901 *F-1
- Q1902 F-1
- Q1903 *F-1
- Q1904 E-1
- Q1905 E-1
- Q1906 E-2
- Q1907 F-2
- Q1908 F-1
- Q1909 F-2



T (OPTION SELECT SWITCH)

B-SS9728UC-T

9-8

9-8

1

2

3

4

5

A

B

C

D

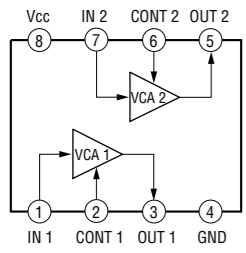
E

F

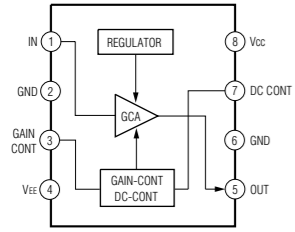
G

H

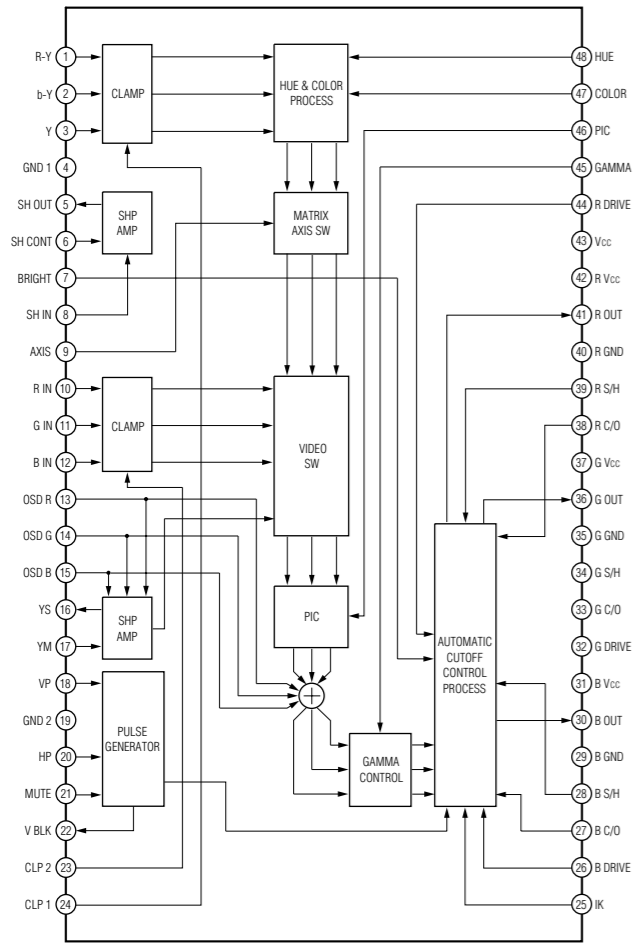
B (3/5) CXA1211M (IC252, IC1301, IC1401)



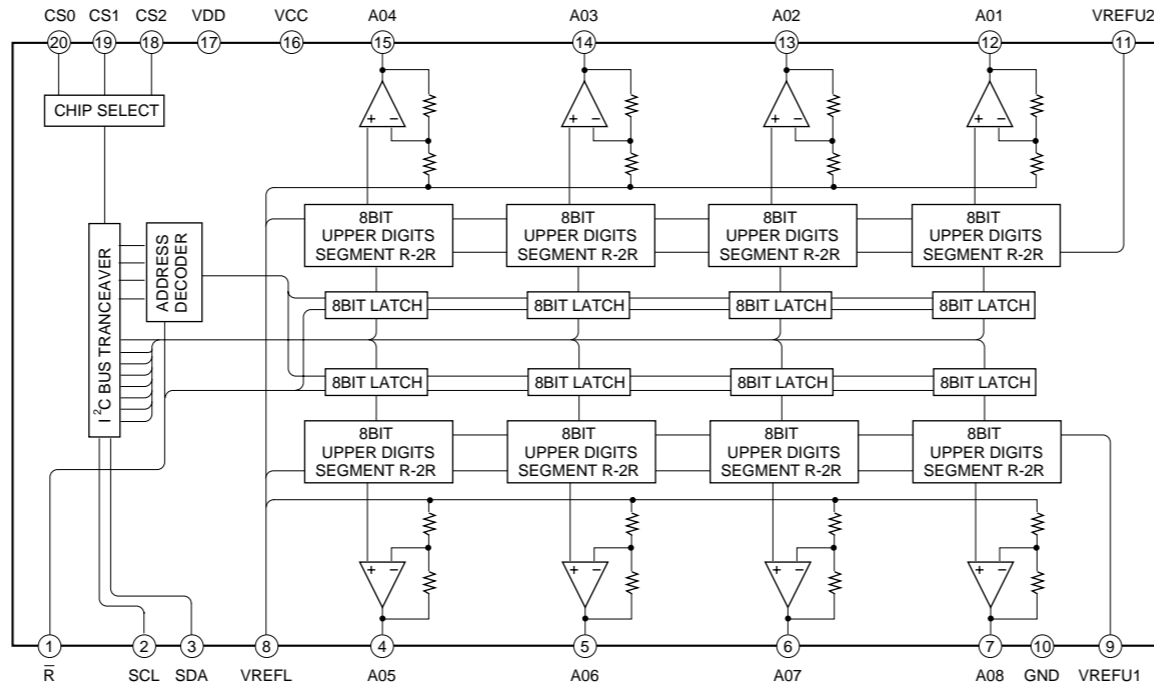
B (2/5) CXA1521M (IC204, IC304, IC404)



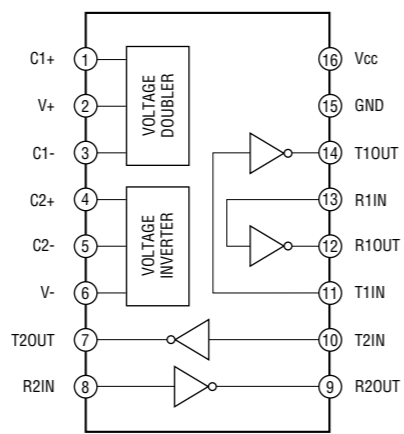
B (4/5) CXA1739S (IC2001)



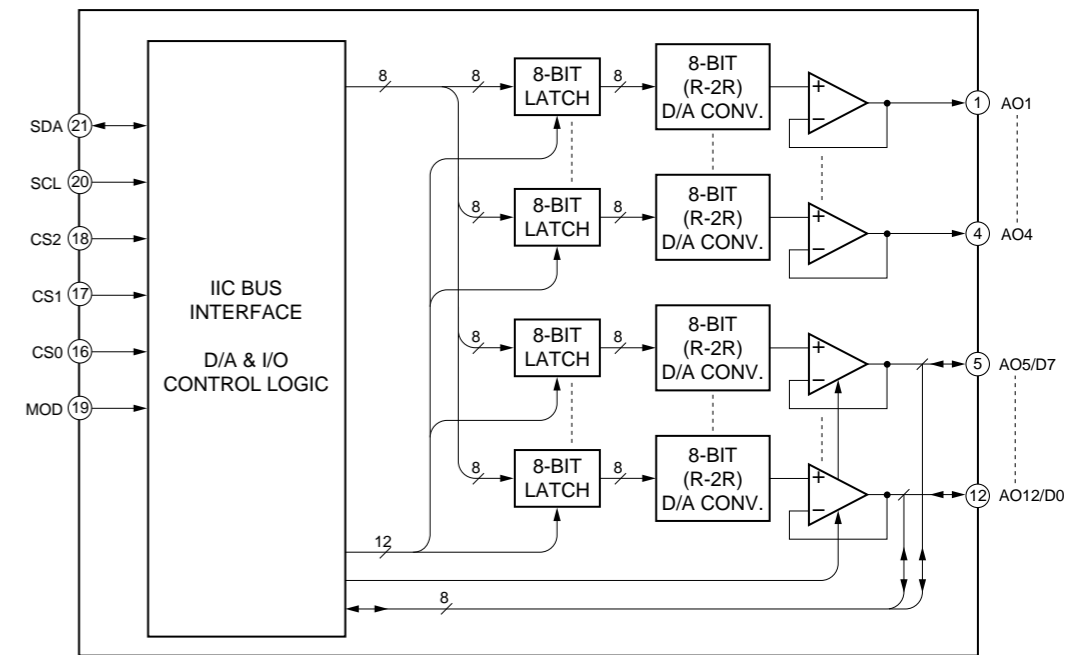
B (3/5) M62399FP (IC3, IC4)



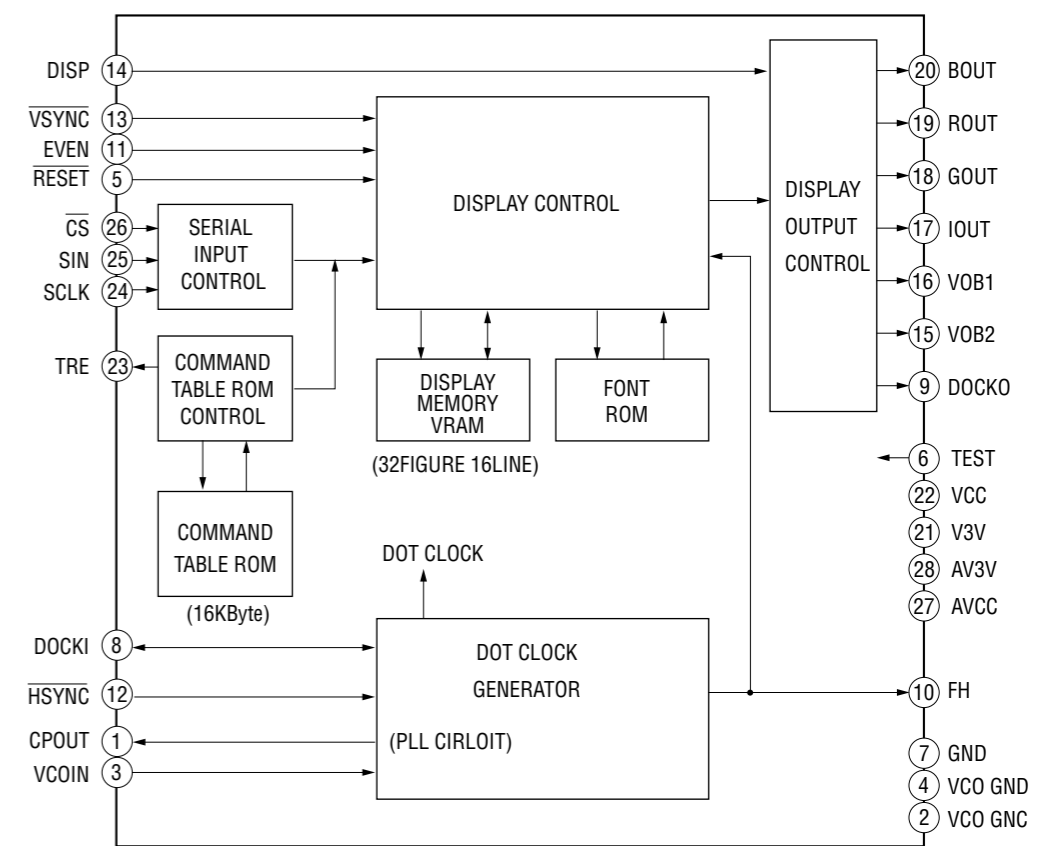
B (1/5) MAX202CSE-T (IC101)



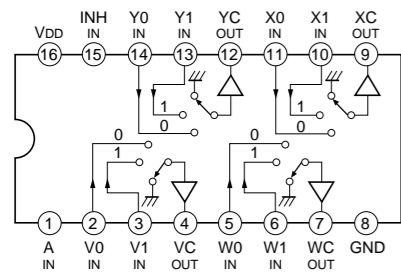
B (2/5) (3/5) MB88141APF (IC1)



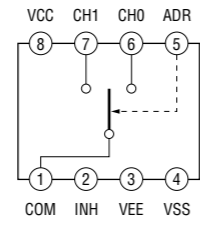
B (1/5) MB90096PF (IC106, IC110)



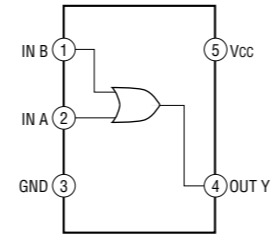
B (4/5) MC74HC157AFEL (IC53, 54)



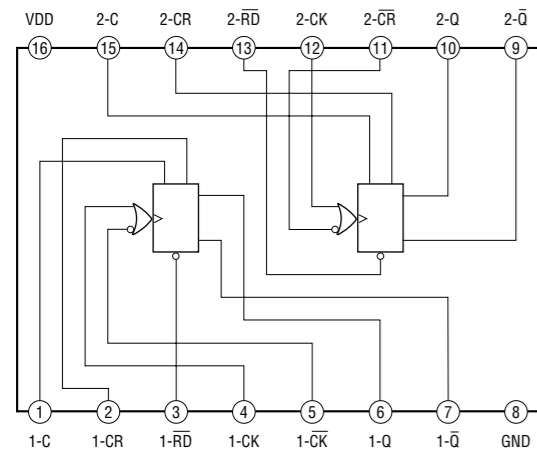
B (4/5) TC4W53FU (IC55)



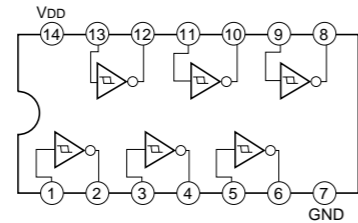
B (5/5) TC7S32FU (IC2045)



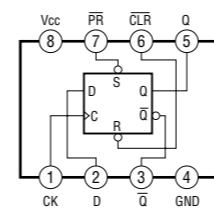
B (5/5) MC74HC4538AFEL (IC2042, IC2046)



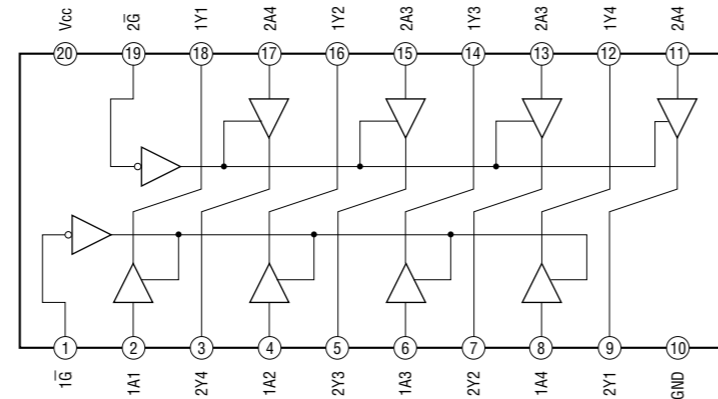
B (5/5) TC74VHC14FT (IC2043)



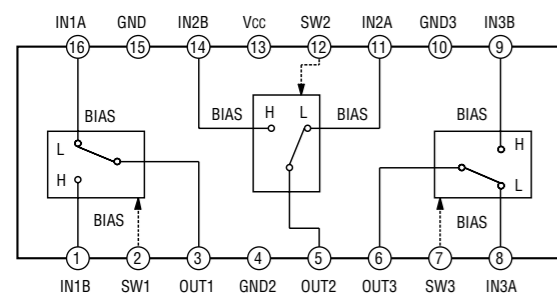
B (5/5) TC7W74FU (IC1055)



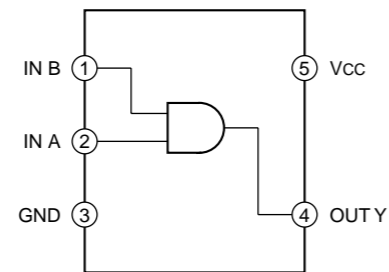
B (1/5) TC74VHCT244AF (IC102, IC103)



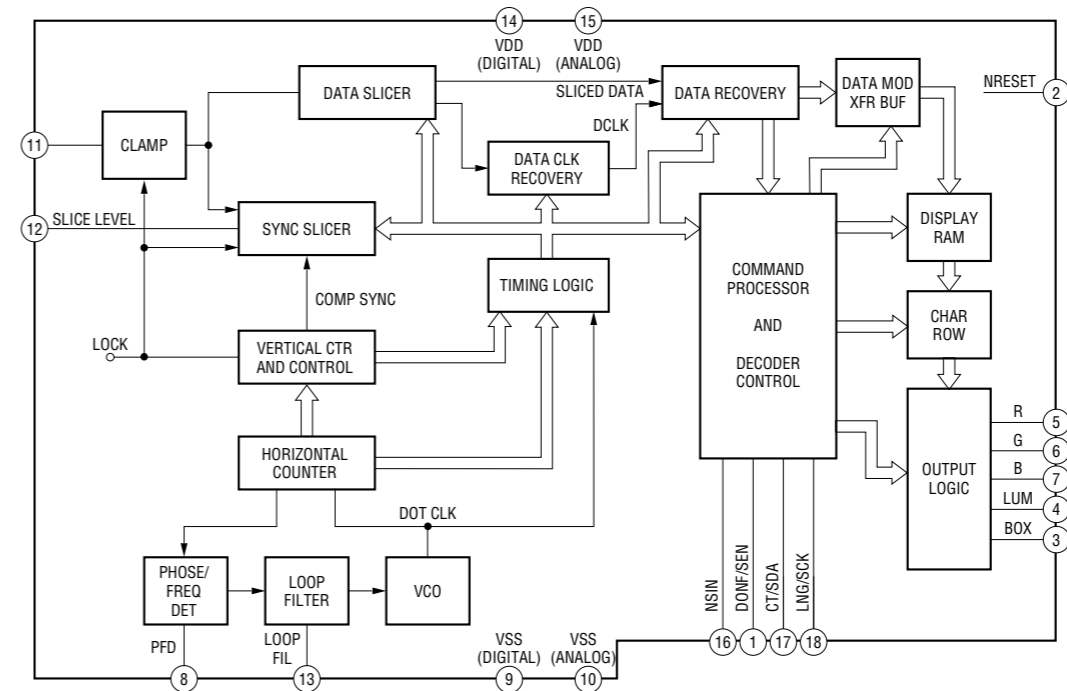
B (4/5) MM1231XFBE (IC1451)



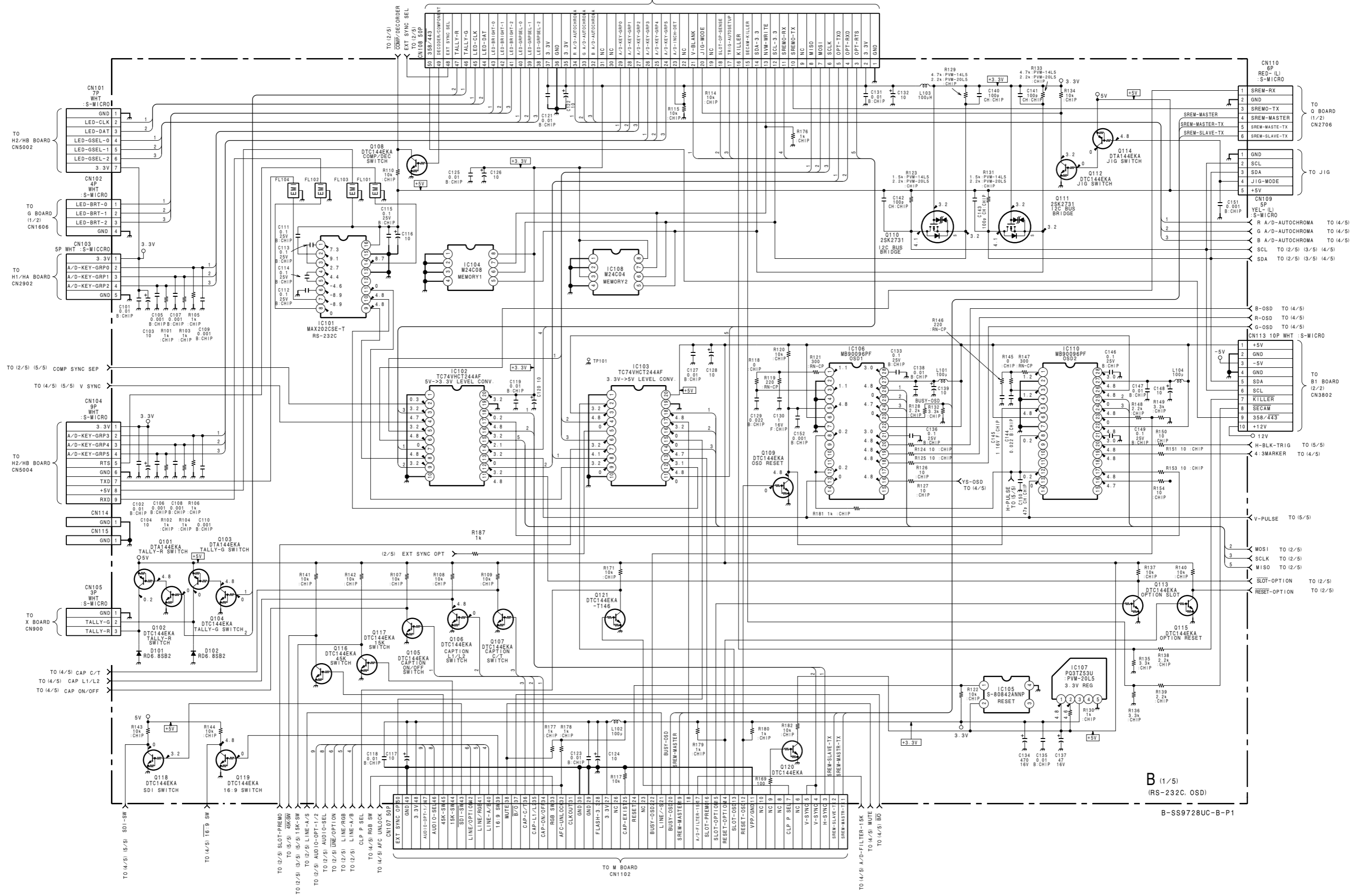
B (4/5) TC7S08F (IC56)



B (4/5) Z8622812PSC (IC51)



TO M BOARD
CN1101



B (1/5)
(RS-232C, OSD)

B-SS9728UC-B-P1

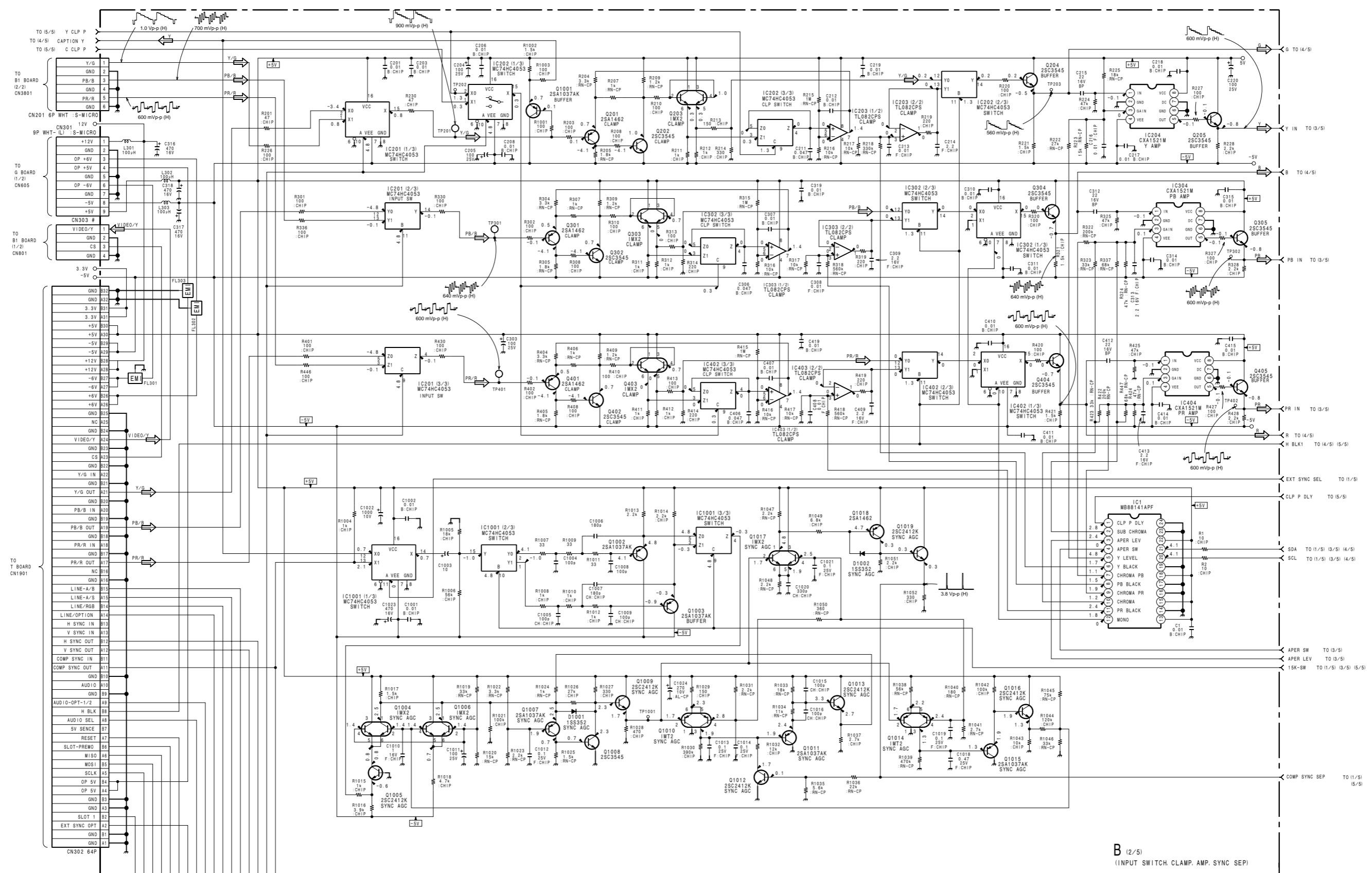
1

2

3

4

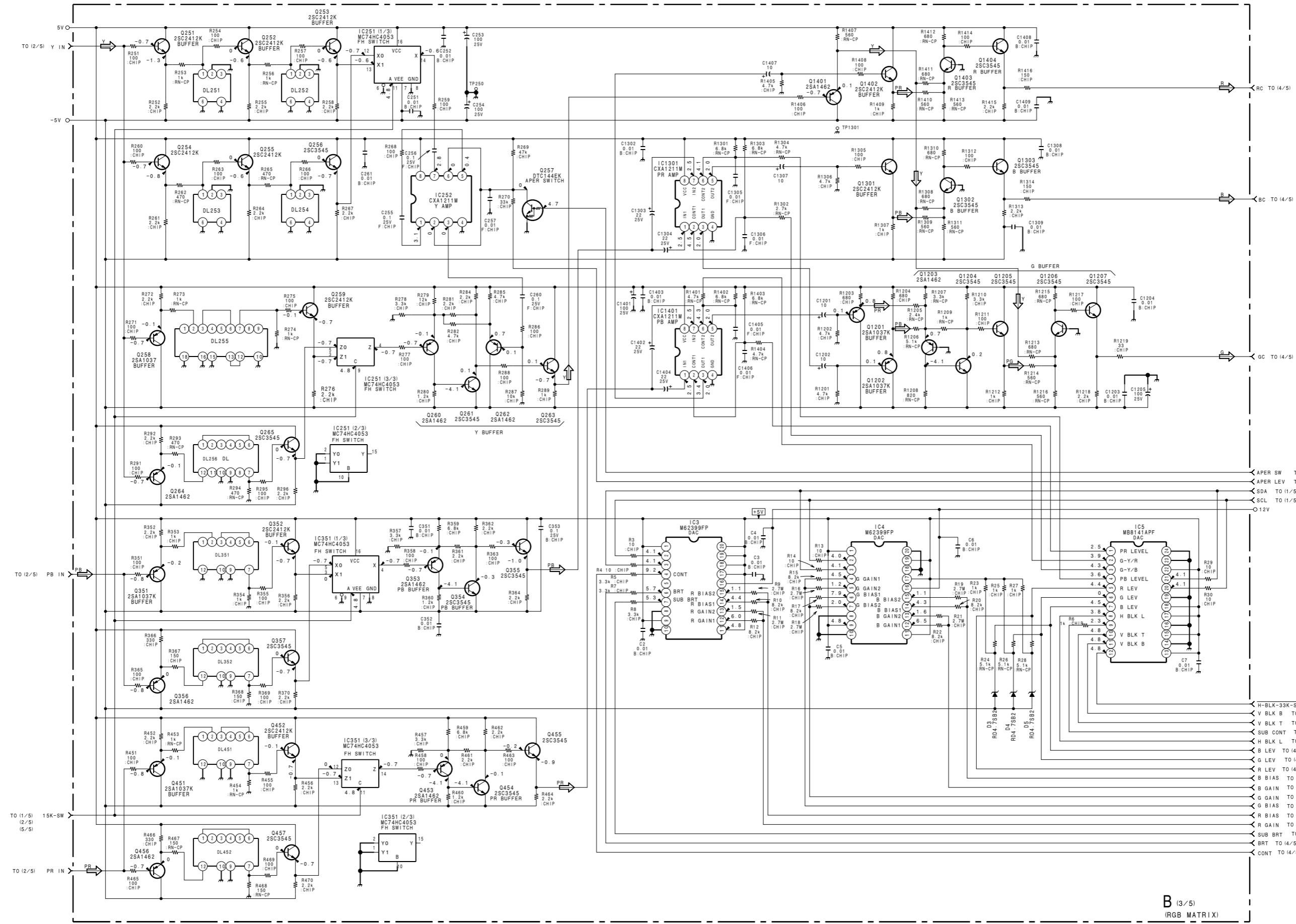
5



B (2/5)
(INPUT SWITCH, CLAMP, AMP, SYNC SEP)

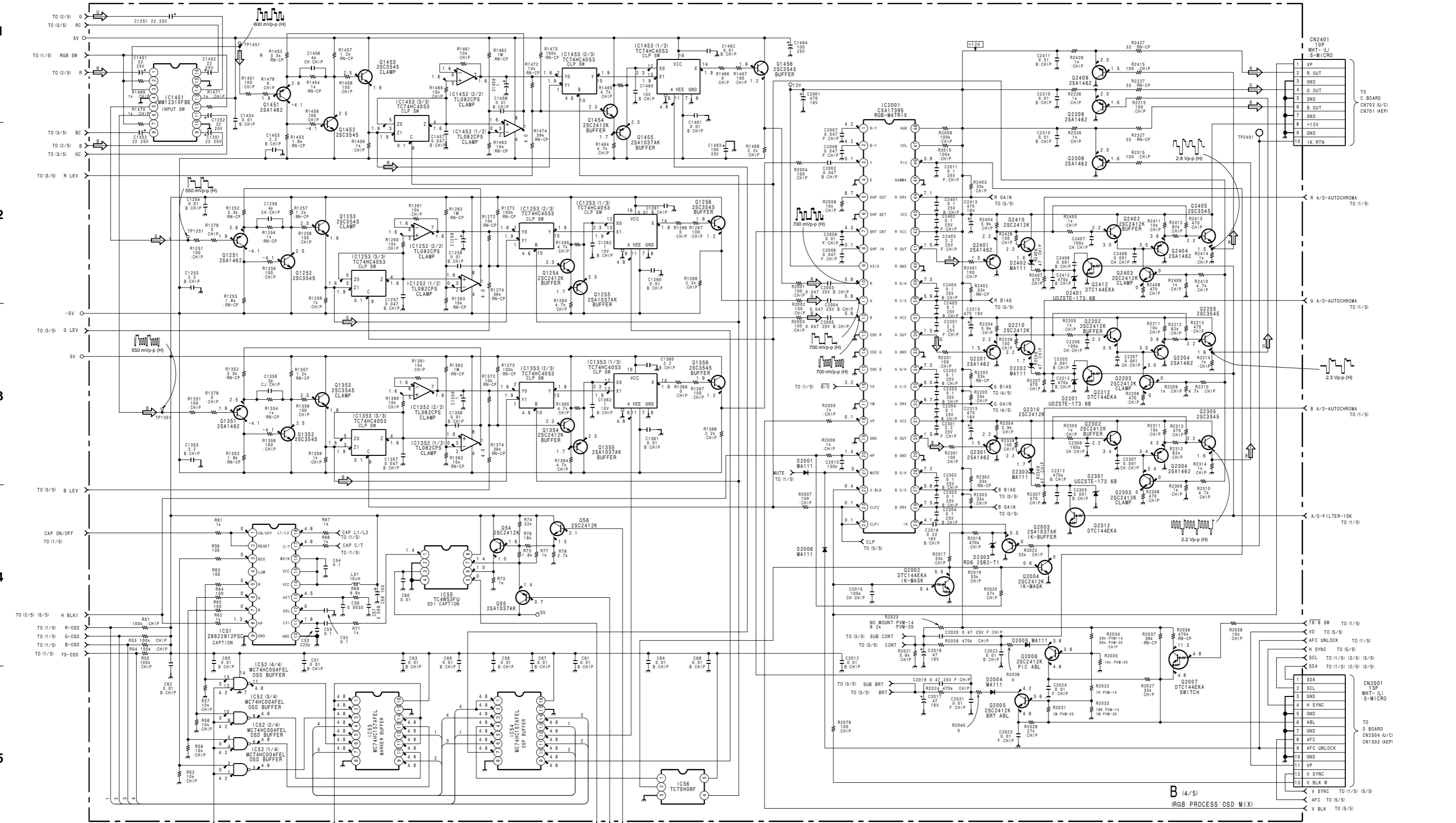
B-SS9728UC-B-P2

TO (1/5) SLOT-OPTION
TO (1/5) SCLK
TO (1/5) MOS1
TO (1/5) MOS0
TO (1/5) SLOT-PREMO
TO (1/5) REBT-OPTION
TO (1/5) EXT SYNC OPT (1/5)
TO (1/5) AUDIO-SEL
TO (1/5) AUDIO-OPT-1/2
TO (1/5) LINE-OPTION
TO (1/5) LINE-A/S
TO (1/5) LINE-R/B
TO (1/5) H SYNC IN
TO (1/5) V SYNC IN
TO (1/5) H SYNC OUT
TO (1/5) V SYNC OUT
TO (1/5) COMP SYNC IN
TO (1/5) COMP SYNC OUT
TO (1/5) AUDIO
TO (1/5) AUDIO-1/2
TO (1/5) H BLK
TO (1/5) AUDIO SEL
TO (1/5) SV SENCE
TO (1/5) RESET
TO (1/5) SLOT-PREMO
TO (1/5) MISO
TO (1/5) MOS1
TO (1/5) SCLK
TO (1/5) OP SV
TO (1/5) OP SV
TO (1/5) GND
TO (1/5) GND
TO (1/5) SLOT 1
TO (1/5) EXT SYNC OPT
TO (1/5) GND
TO (1/5) GND



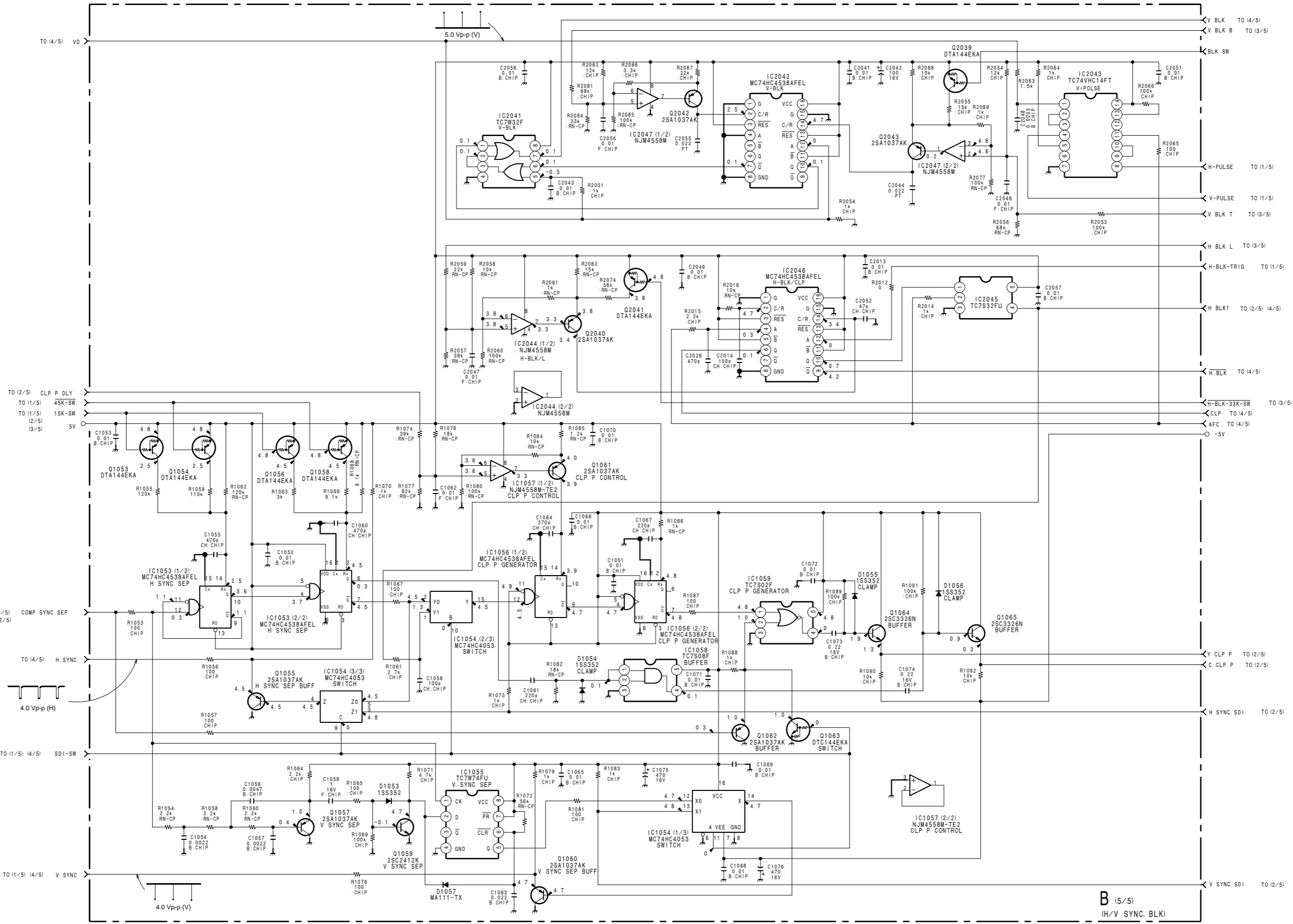
B (3/5)
(RGB MATRIX)

B-SS9728UC-B-P3



B (4/5) (IRGB PROCESS OSD MIX)

B-SS9728UC-B-P4



1

2

3

4

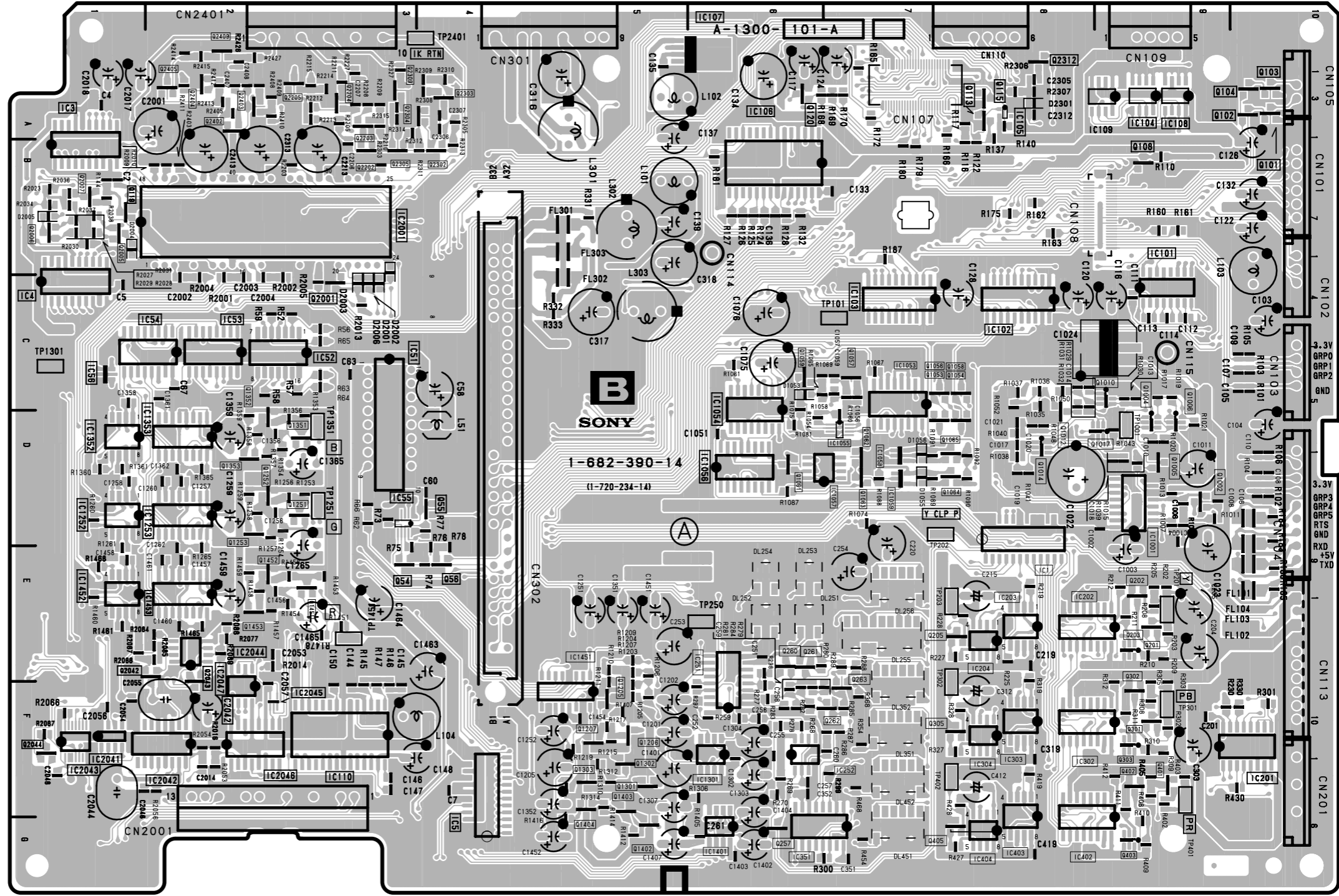
5

B (5/5)
 (H/V SYNC, BLK)
 B-SS9728UC-B-P5

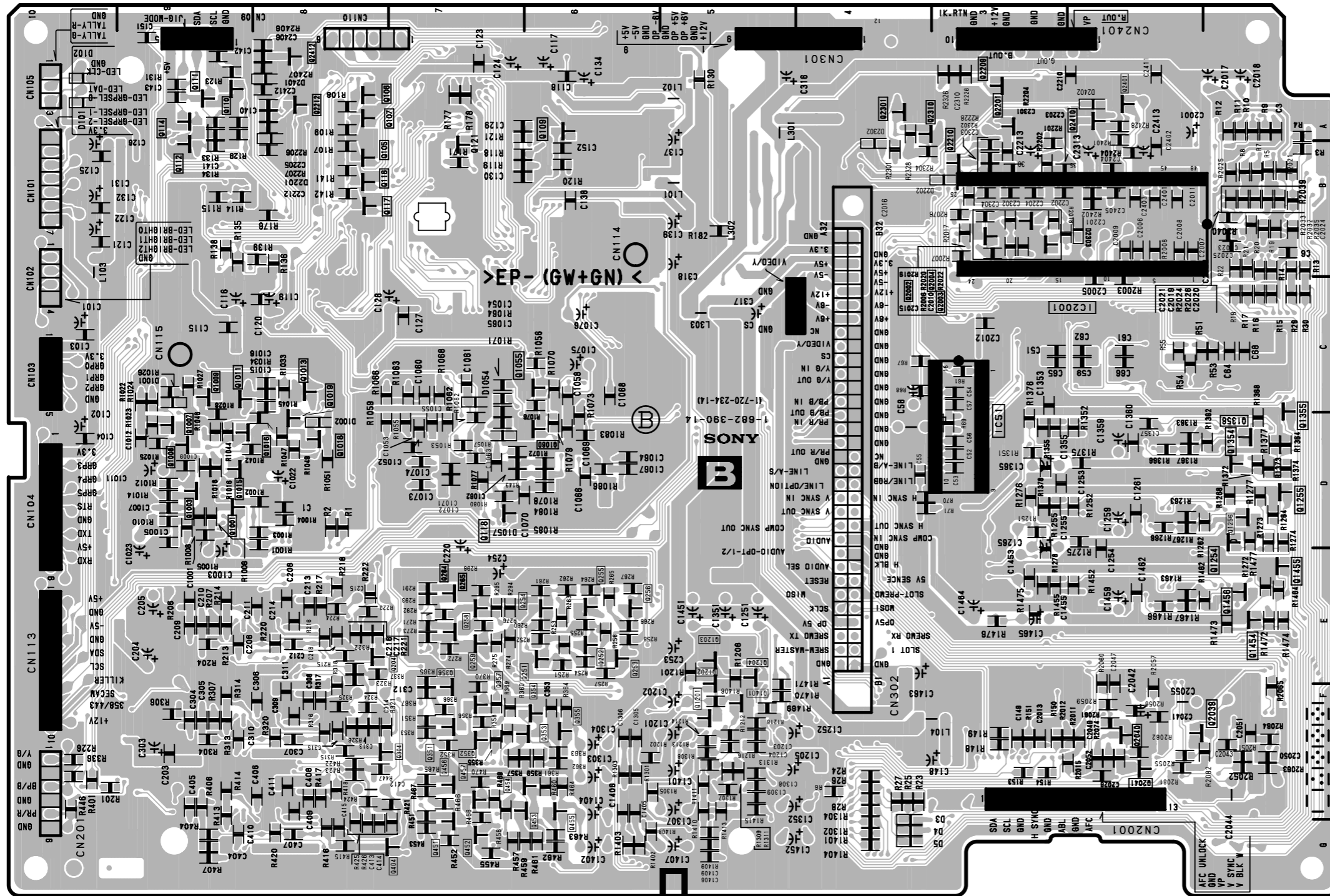
B BOARD

*:B SIDE

D3	*G-4	Q106	*A-8	Q1202	*F-5
D4	*G-4	Q107	*A-8	Q1203	*F-5
D5	*G-4	Q108	B-9	Q1204	*F-5
D101	*A-10	Q109	*A-6	Q1205	F-5
D102	*A-10	Q110	*A-9	Q1206	F-5
D1001	*C-9	Q111	*A-9	Q1207	F-5
D1002	*D-8	Q112	*B-9	Q1251	D-3
D1053	C-6	Q113	A-8	Q1252	D-2
D1054	*C-7	Q114	*A-9	Q1253	D-2
D1055	D-7	Q115	A-8	Q1254	*D-1
D1056	D-7	Q116	*B-8	Q1255	*D-1
D1057	*D-7	Q117	*B-8	Q1256	*D-1
D2001	C-3	Q118	*D-7	Q1301	F-5
D2002	C-3	Q119	B-1	Q1302	F-5
D2003	C-3	Q120	*A-6	Q1303	F-5
D2004	B-1	Q121	*A-7	Q1351	D-3
D2005	B-1	Q201	E-9	Q1352	D-2
D2006	C-3	Q202	E-9	Q1353	D-2
D2201	*A-8	Q203	E-9	Q1354	*D-1
D2202	*B-3	Q204	*E-8	Q1355	*D-1
D2301	A-8	Q205	E-7	Q1356	*D-1
D2302	*B-4	Q251	*E-6	Q1401	*F-5
D2303	*B-2	Q252	*E-6	Q1402	G-5
D2401	*A-8	Q253	*E-6	Q1403	F-5
D2402	*A-2	Q254	*E-6	Q1404	F-5
		Q255	*E-6	Q1451	E-3
		Q256	*E-6	Q1452	E-2
		Q257	G-6	Q1453	E-2
		Q258	*E-7	Q1454	*F-1
		Q259	*E-7	Q1455	*F-1
		Q260	E-6	Q1456	*F-1
		Q261	E-6	Q2001	C-3
		Q262	F-7	Q2002	*B-3
		Q263	F-7	Q2003	*B-3
		Q264	*E-7	Q2004	*B-3
		Q265	*E-7	Q2005	B-1
		Q301	F-9	Q2006	B-1
		Q302	F-9	Q2007	B-1
		Q303	F-9	Q2039	*F-2
		Q304	*F-8	Q2040	*F-2
		Q305	*F-7	Q2041	*F-2
		Q351	*F-7	Q2042	E-2
		Q352	*F-7	Q2043	E-2
		Q353	*F-7	Q2044	F-1
		Q354	*F-6	Q2201	*A-3
		Q355	*F-6	Q2202	B-3
		Q356	*F-7	Q2203	B-3
		Q357	*F-7	Q2204	A-3
		Q401	F-9	Q2205	A-3
		Q402	F-9	Q2209	*A-3
		Q403	G-9	Q2210	*B-3
		Q404	*G-7	Q2212	*A-8
		Q405	G-7	Q2301	*A-4
		Q451	*G-7	Q2302	B-4
		Q452	*G-7	Q2303	A-4
		Q453	*F-7	Q2304	A-4
		Q454	*F-6	Q2305	B-3
		Q455	*F-6	Q2309	A-3
		Q456	*F-7	Q2310	*A-4
		Q457	*F-7	Q2312	A-8
		Q1001	*D-9	Q2401	*A-2
		Q1002	*D-9	Q2402	A-2
		Q1003	*D-9	Q2403	A-2
		Q1004	C-9	Q2404	A-2
		Q1005	D-9	Q2405	A-2
		Q1006	C-9	Q2409	A-2
		Q1007	*D-9	Q2410	*A-2
		Q1008	*D-9	Q2412	*A-8
		Q1009	C-9		
		Q1010	C-9	TP101	C-7
		Q1011	C-9	TP201	E-9
		Q1012	D-8	TP202	D-7
		Q1013	C-8	TP203	E-7
		Q1014	D-8	TP250	E-6
		Q1015	*D-9	TP301	F-9
		Q1016	*D-9	TP302	F-7
		Q1017	D-9	TP401	F-9
		Q1018	*D-8	TP402	F-7
		Q1019	*D-8	TP1001	D-9
		Q1053	C-7	TP1251	D-3
		Q1054	C-7	TP1301	C-1
		Q1055	*C-6	TP1351	D-3
		Q1056	C-7	TP1451	E-3
		Q1057	C-7	TP2401	A-4
		Q1058	C-7		
		Q1059	C-6		
		Q1060	*D-6		
		Q1061	D-6		
		Q1062	D-7		
		Q1063	D-7		
		Q1064	D-7		
		Q1065	D-7		
		Q1201	*F-5		
Q54	E-3				
Q55	D-4				
Q56	E-4				
Q101	A-10				
Q102	A-10				
Q103	A-10				
Q104	A-10				
Q105	*B-8				

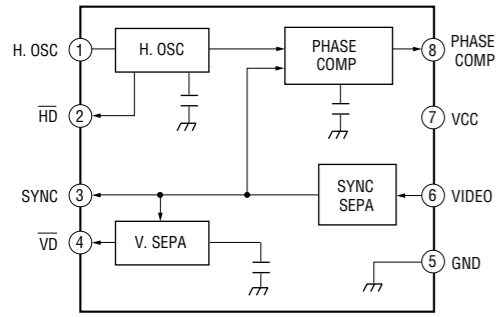


B -A SIDE-
SUFFIX: -14

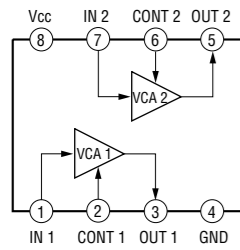


B -B SIDE-
SUFFIX: -14

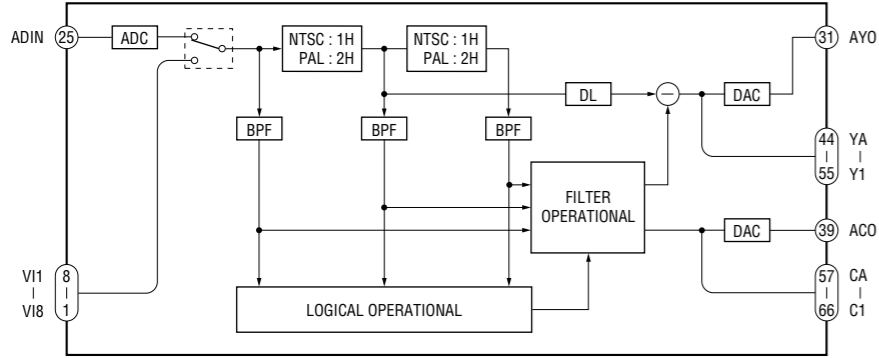
B1 (1/2) BA7046F (IC2801, IC2806)



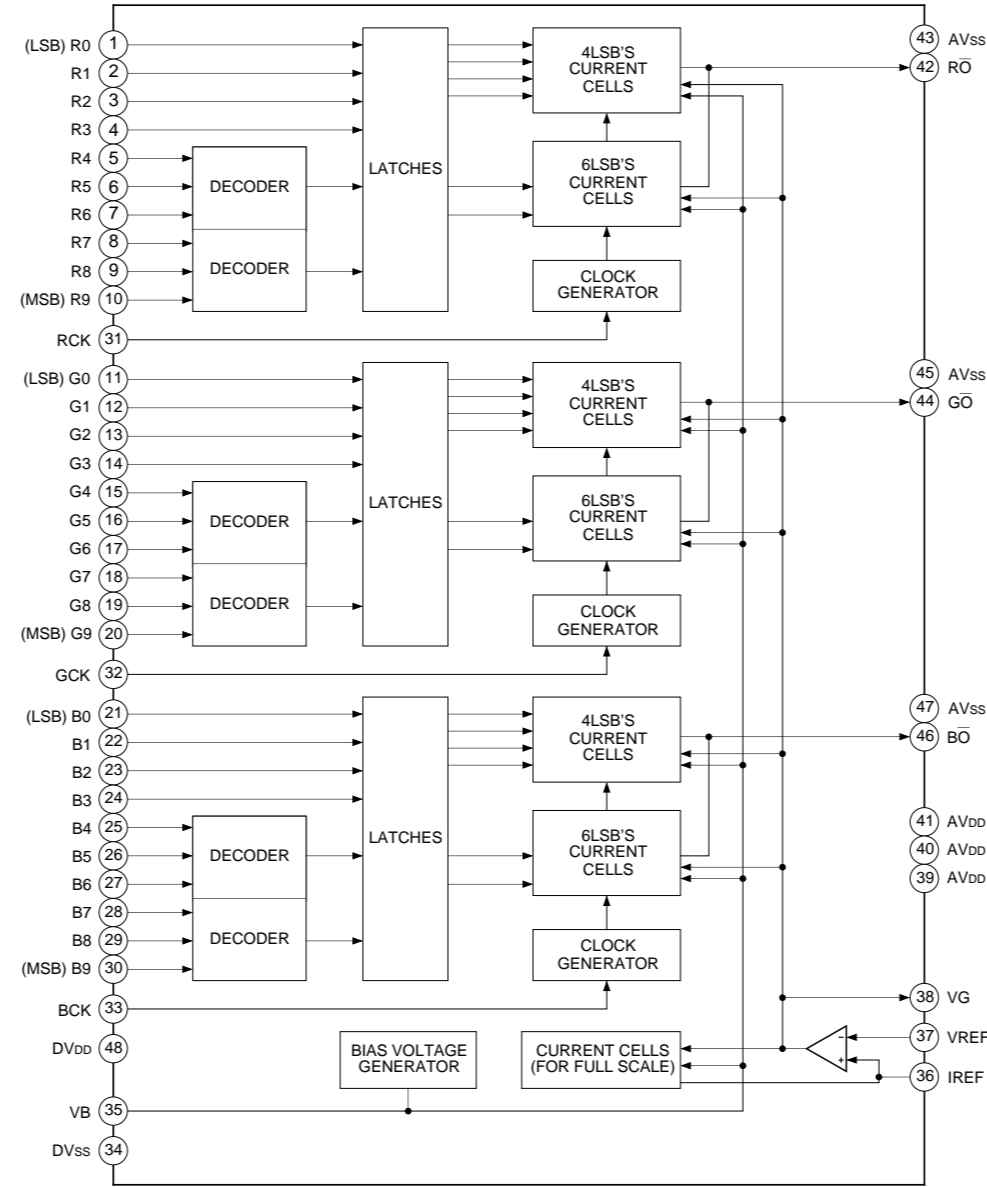
B1 (1/2, 2/2) CXA1211M (IC806, IC3807)



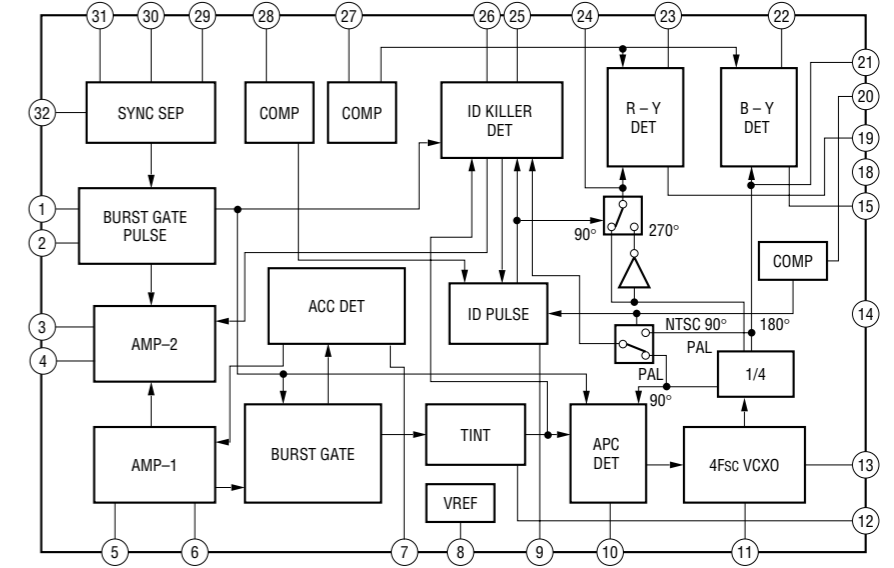
B1 (1/2) CXD2024AQ (IC801)



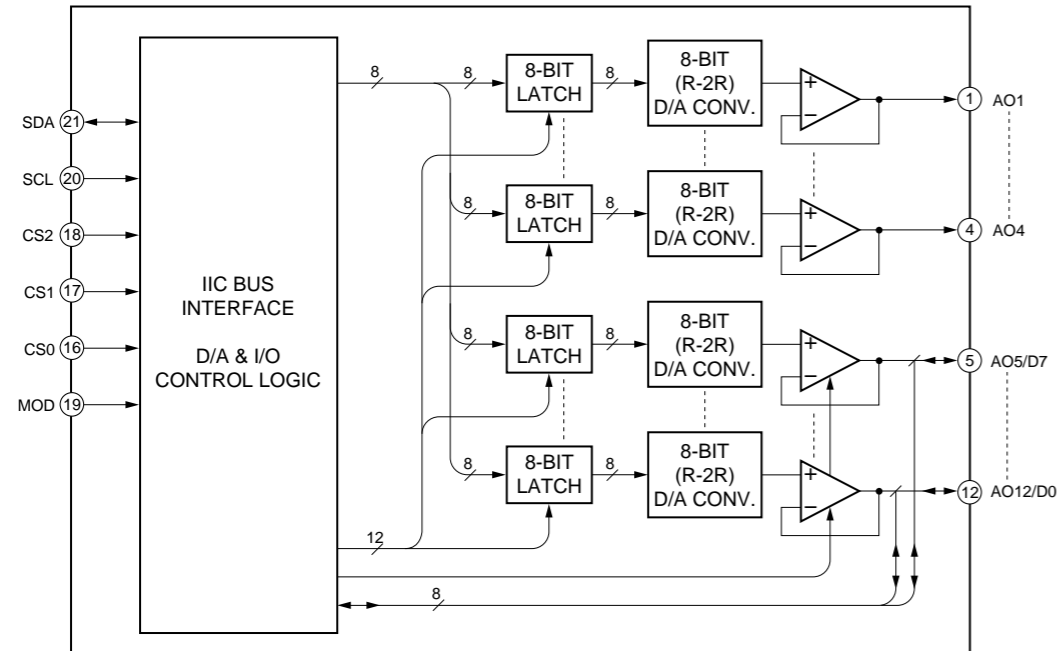
B1 (1/2) CXD2309Q (IC802)



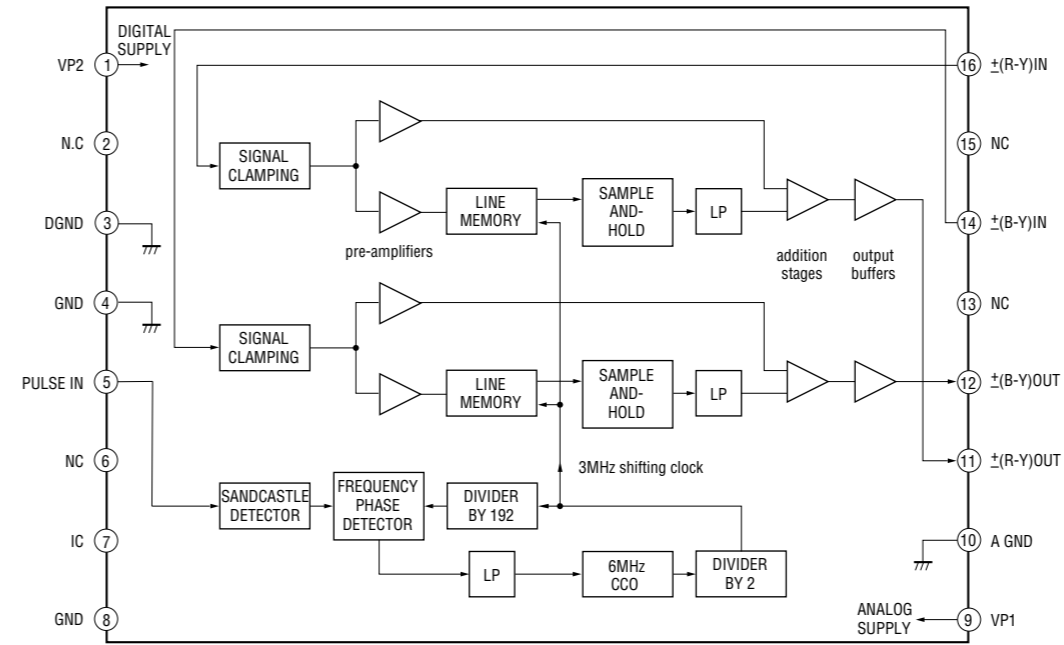
B1 (2/2) M51279FP-ETP (IC2804)



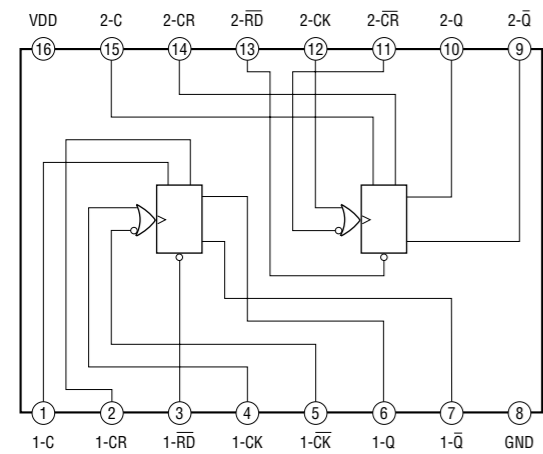
B1 (1/2), (2/2) MB88141APF (IC2805, IC4803)



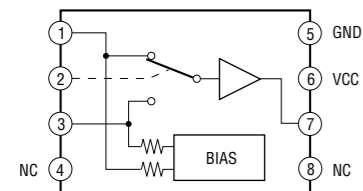
B1 (2/2) TDA4665T (IC3802)

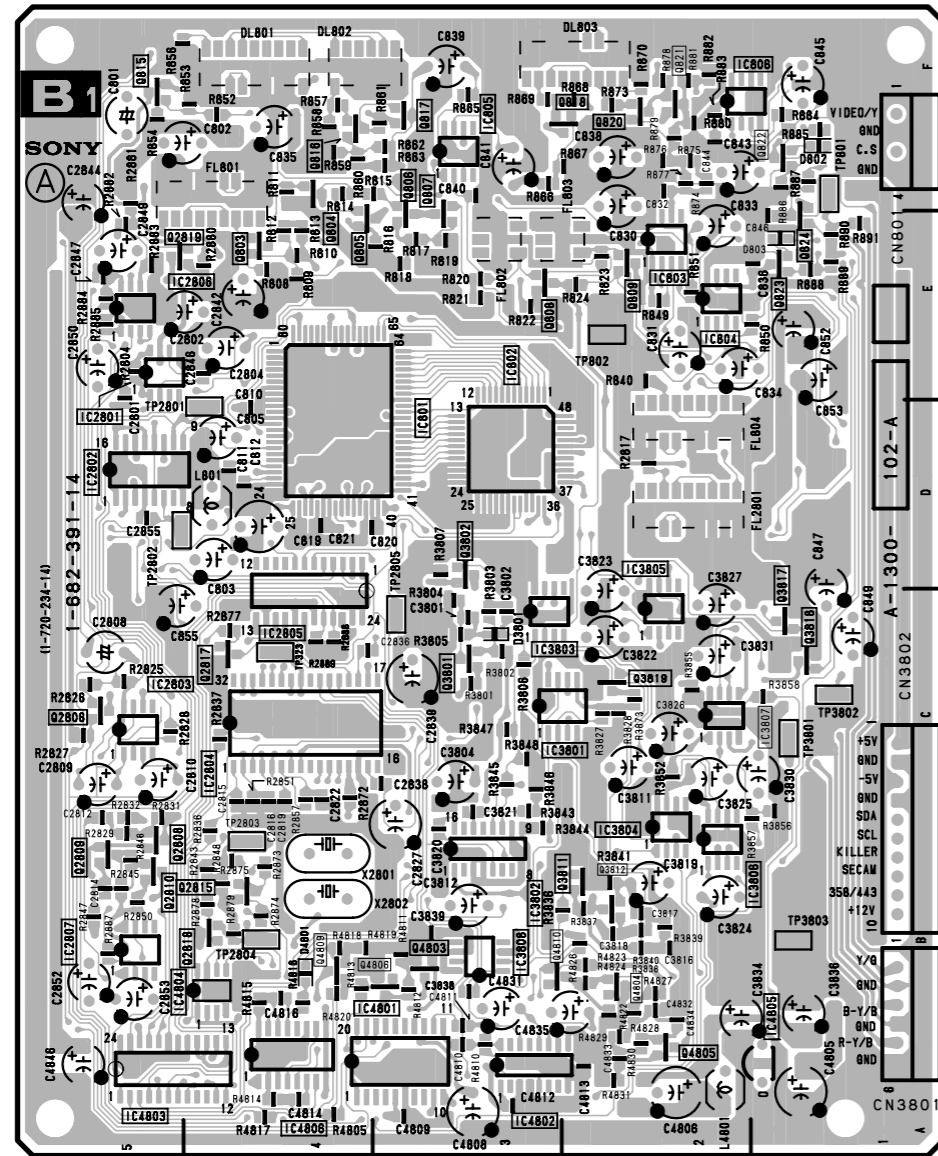


B1 (1/2) MC74HC4538AFEL (IC2802)

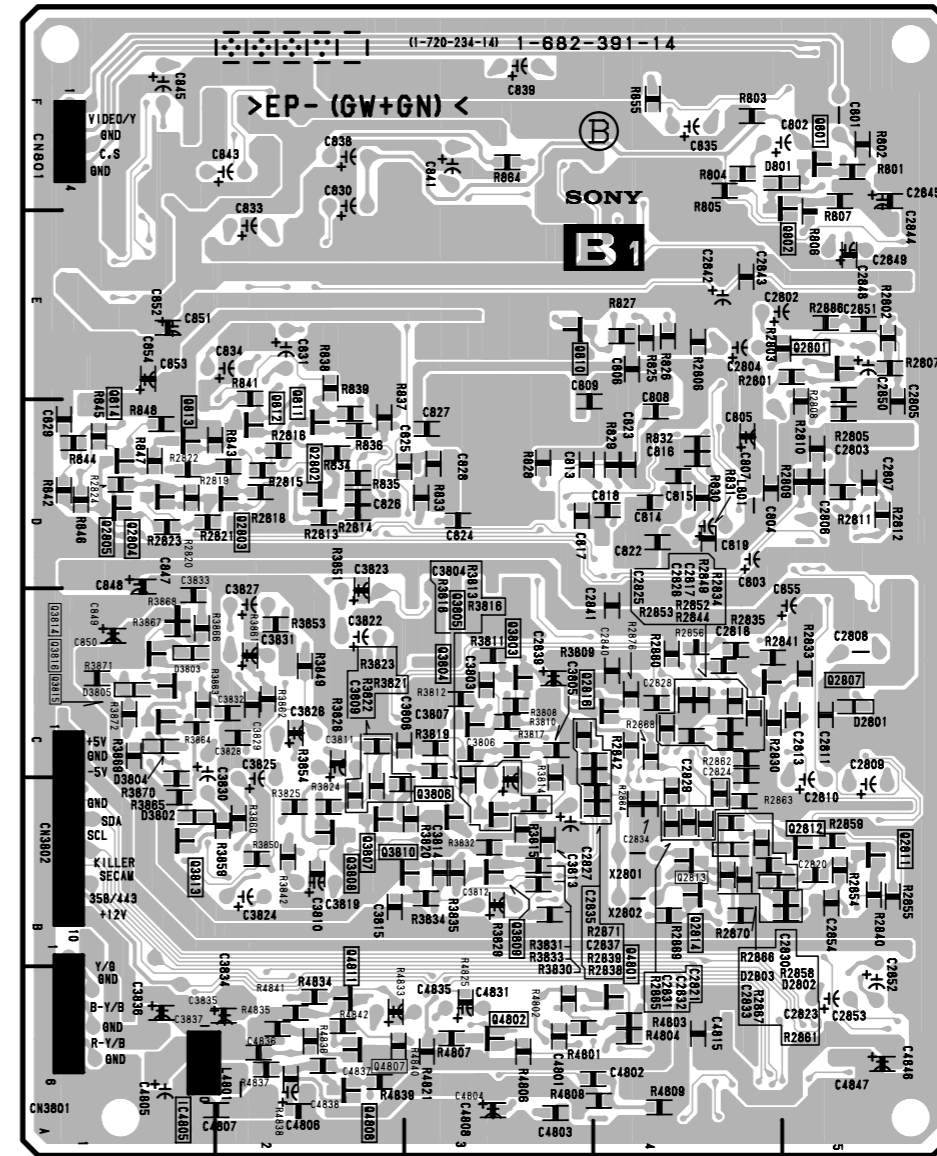


B1 (1/2), (2/2) NJM2233BM (IC803, IC805, IC2803, IC3803, IC3804)





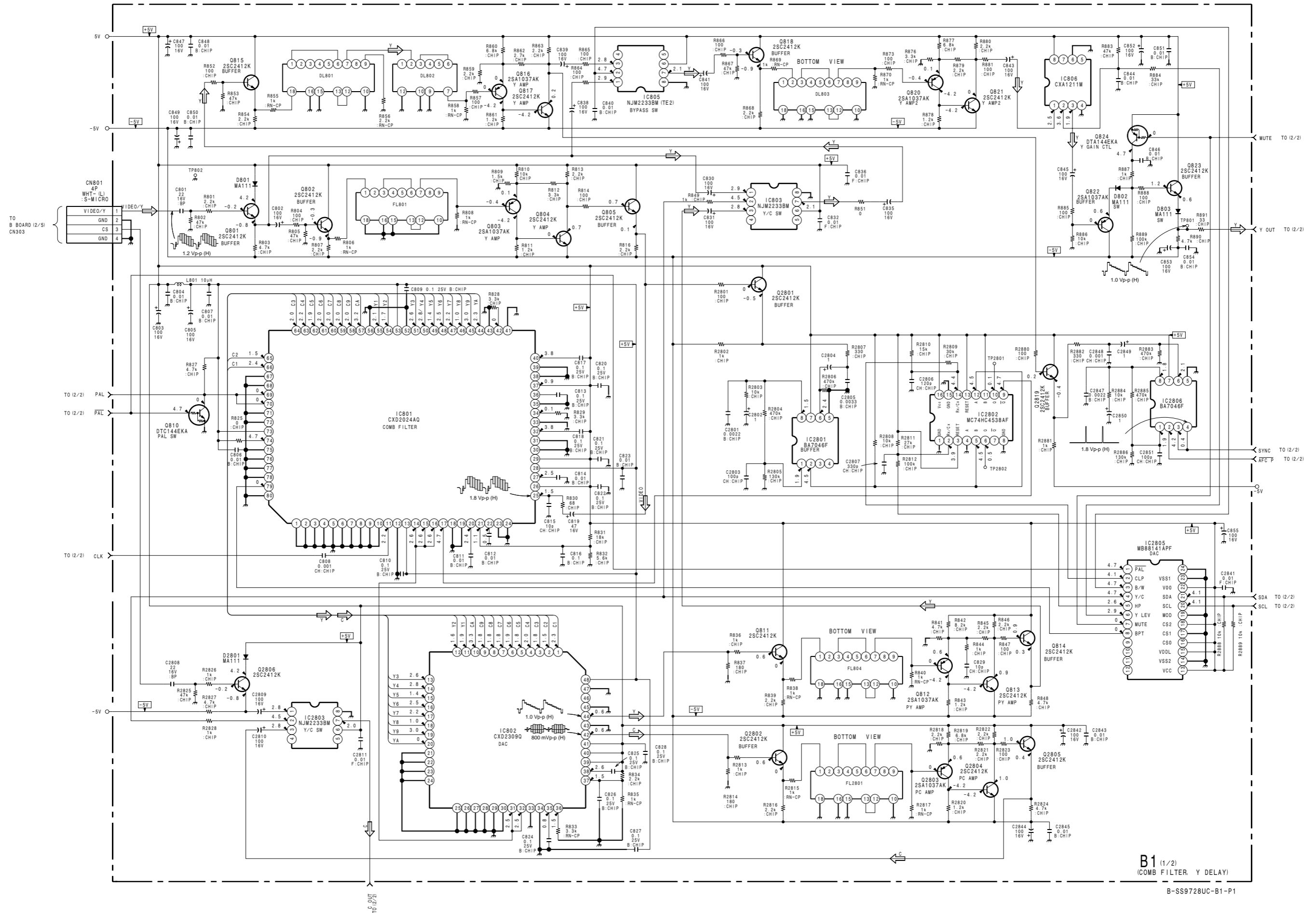
B1 - A SIDE-
SUFFIX: -14



B1 - B SIDE-
SUFFIX: -14

B1 BOARD
*: B SIDE

D801	*F-5	IC2805	C-4	Q806	F-3	Q2806	C-5	Q3810	*B-2	TP323	C-4
D802	F-1	IC2806	E-5	Q807	F-3	Q2807	*C-5	Q3811	B-2	TP801	F-1
D803	E-1	IC2807	B-5	Q808	E-3	Q2808	B-5	Q3812	B-2	TP802	E-2
D2801	*C-5	IC3801	C-2	Q809	E-2	Q2809	B-5	Q3813	*B-1	TP2801	D-4
D2802	*B-4	IC3802	B-3	Q810	*E-3	Q2810	B-5	Q3814	*C-1	TP2802	D-5
D2803	*B-4	IC3803	C-3	Q811	*D-2	Q2811	*B-5	Q3815	*C-1	TP2803	B-4
D3801	C-3	IC3804	B-2	Q812	*D-2	Q2812	*B-5	Q3816	*C-1	TP2804	B-4
D3802	*B-1	IC3805	C-2	Q813	*D-1	Q2813	*B-4	Q3817	C-1	TP2805	C-3
D3803	*C-1	IC3806	B-2	Q814	*D-1	Q2814	*B-4	Q3818	C-1	TP3801	C-1
D3804	*C-1	IC3807	C-2	Q815	F-5	Q2815	B-4	Q3819	C-2	TP3802	C-1
D3805	*C-1	IC3808	B-3	Q816	F-4	Q2816	*C-4	Q4801	*A-4	TP3803	B-1
D4801	A-4	IC4801	A-3	Q817	F-3	Q2817	C-4	Q4802	*A-3		
		IC4802	A-3	Q818	F-2	Q2818	B-4	Q4803	A-3		
IC801	D-4	IC4803	A-5	Q820	F-2	Q2819	E-5	Q4804	A-2		
IC802	D-3	IC4804	A-4	Q821	F-2	Q3801	C-3	Q4805	A-2		
IC803	E-2	IC4805	A-1	Q822	F-1	Q3802	D-3	Q4806	A-3		
IC804	E-2	IC4806	A-4	Q823	E-1	Q3803	*C-3	Q4807	*A-2		
IC805	F-3			Q824	E-1	Q3804	*C-3	Q4808	*A-2		
IC806	F-2	Q801	*F-5	Q2801	*E-5	Q3805	*B-3	Q4809	A-4		
IC2801	E-5	Q802	*E-5	Q2802	*D-2	Q3806	*B-3	Q4810	A-3		
IC2802	D-5	Q803	E-4	Q2803	*D-2	Q3807	*B-2	Q4811	*A-2		
IC2803	C-5	Q804	F-4	Q2804	*D-1	Q3808	*B-2				
IC2804	C-4	Q805	E-4	Q2805	*D-1	Q3809	*B-3				



B1 (1/2)
(COMB FILTER, Y DELAY)

B-SS9728UC-B1-P1

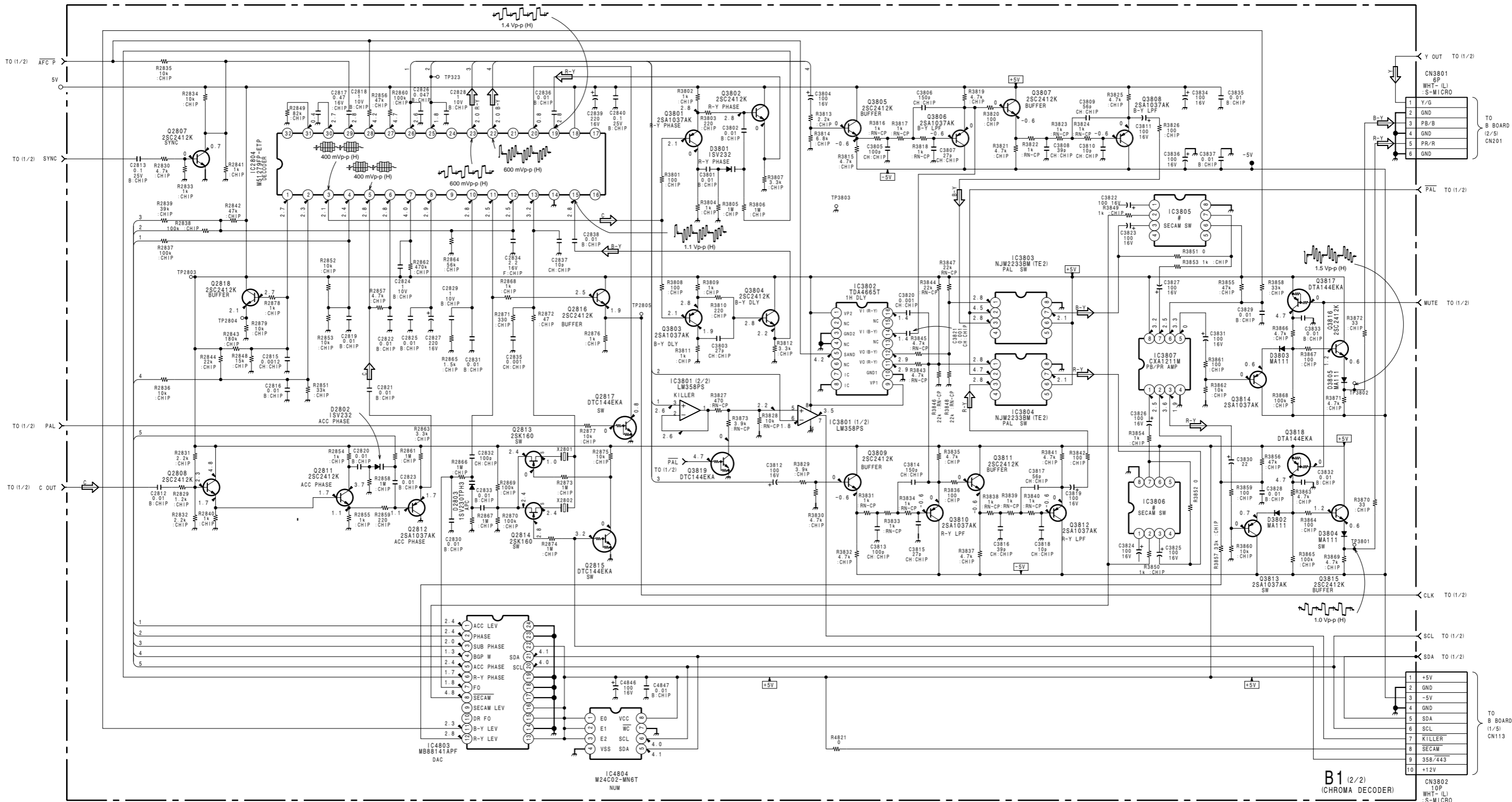
1

2

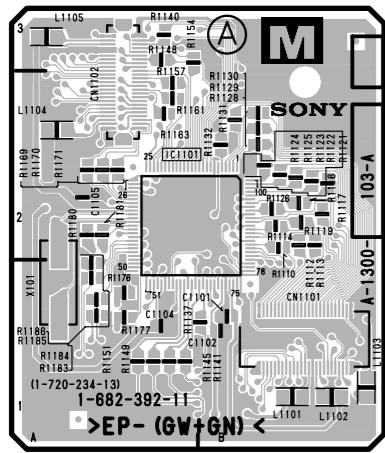
3

4

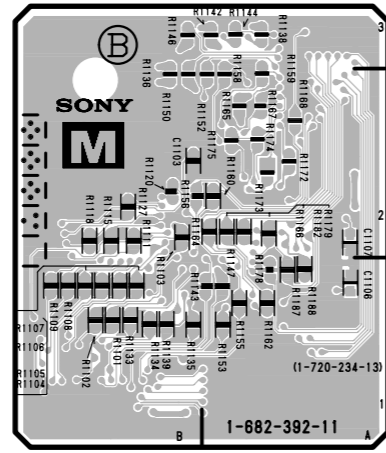
5



B1 (2/2)
 (CHROMA DECODER)
 B-SS9728UC-B1-P2

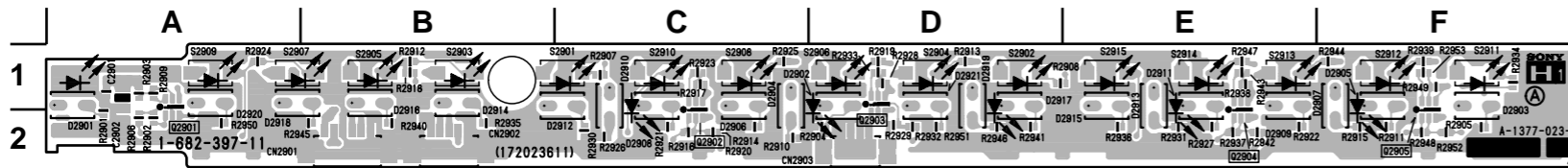


M -A SIDE-
SUFFIX: -11



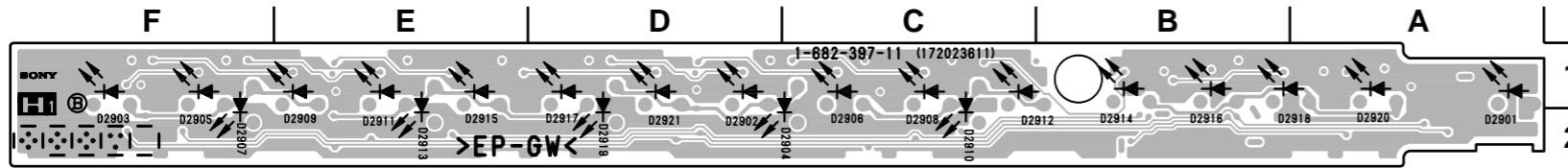
M -B SIDE-
SUFFIX: -11

For 14 inch models



H1 -A SIDE-
SUFFIX: -11

For 14 inch models



H1 -B SIDE-
SUFFIX: -11

H1 BOARD

*: B SIDE

- D2901 A-1
- D2902 D-1
- D2903 F-1
- D2904 C-2
- D2905 F-1
- D2906 C-1
- D2907 F-2
- D2908 C-1
- D2909 E-1
- D2910 C-2
- D2911 E-1
- D2912 C-1
- D2913 E-2
- D2914 B-1
- D2915 E-1
- D2916 B-1
- D2917 D-1
- D2918 B-1
- D2919 D-2
- D2920 A-1
- D2921 D-1

- Q2901 A-2
- Q2902 C-2
- Q2903 D-2
- Q2904 E-2
- Q2905 F-2

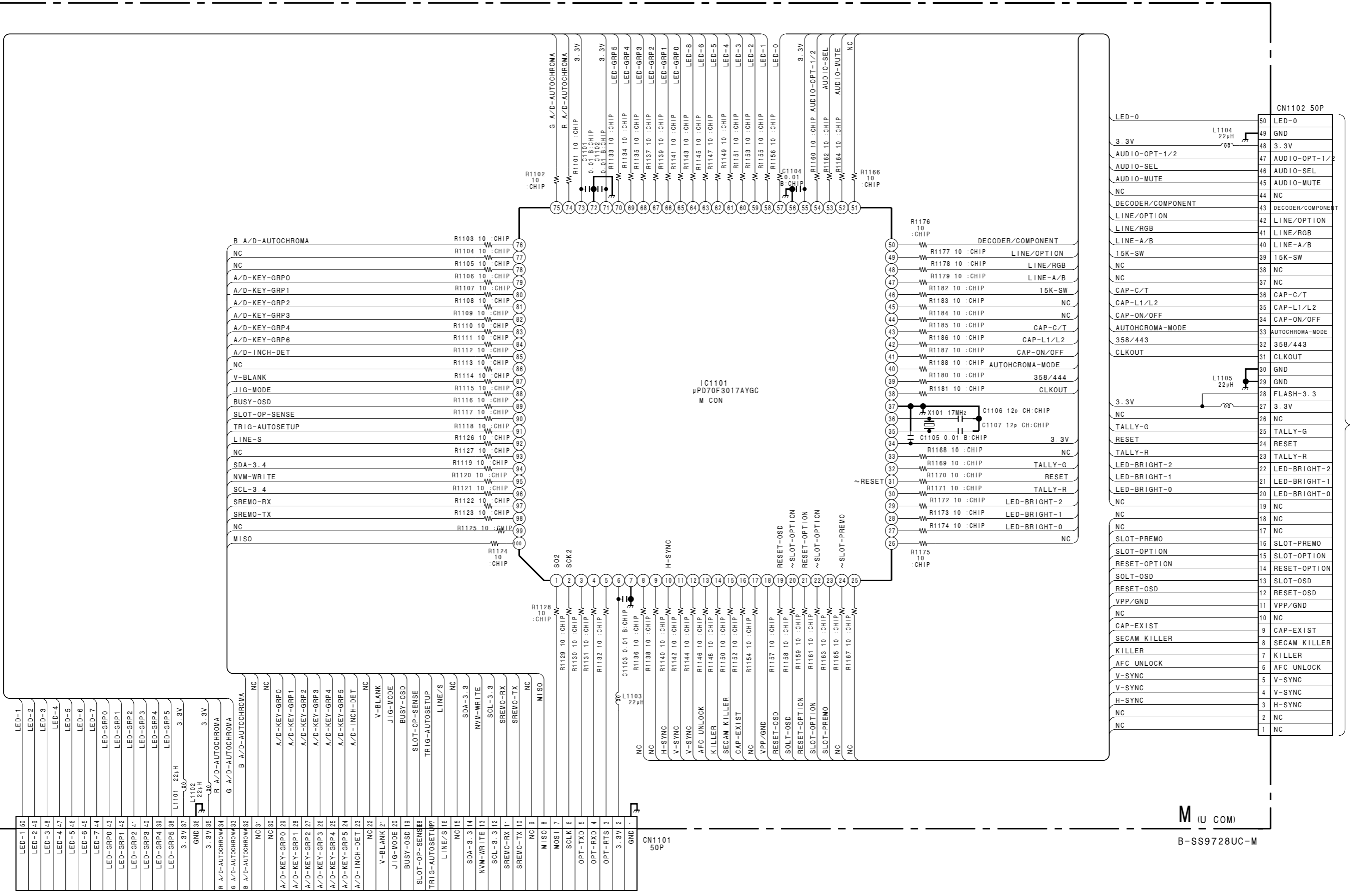
1

2

3

4

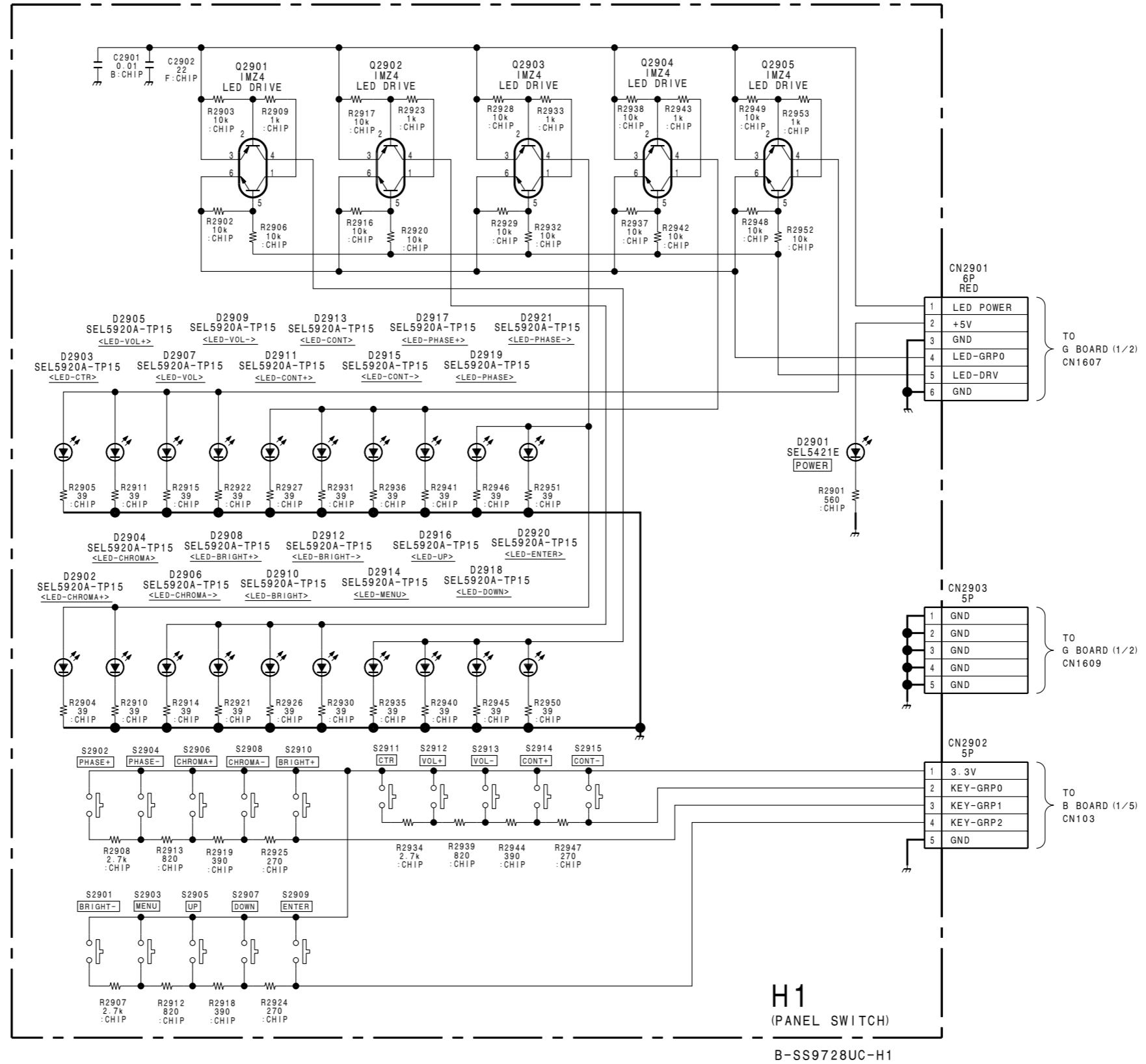
5



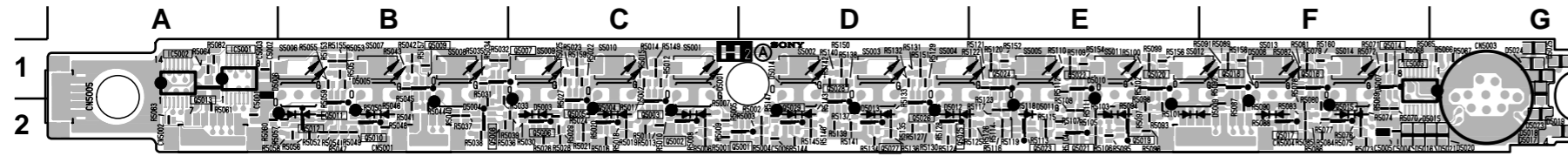
TO B BOARD (1/5)
CN108

TO B BOARD
(1/5)
CN107

For 14 inch models

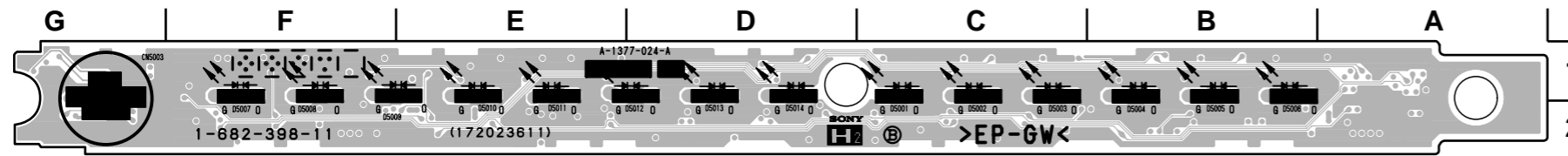


For 14 inch models



H2 -A SIDE-
SUFFIX: -11

For 14 inch models



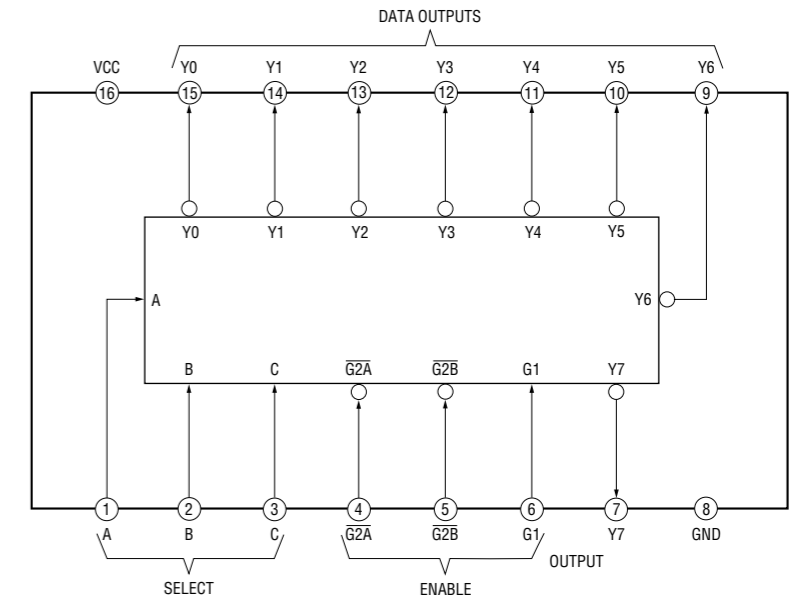
H2 -B SIDE-
SUFFIX: -11

H2 BOARD

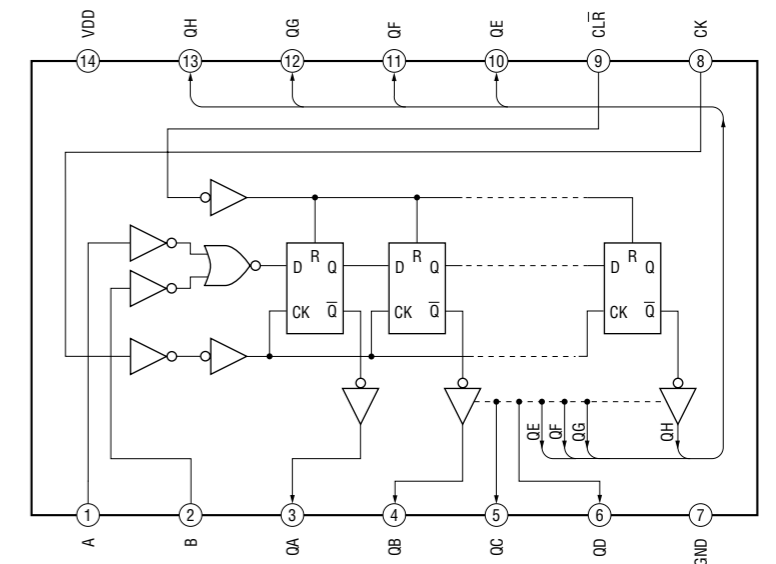
*:B SIDE

D5001	C-1	Q5001	C-2
D5002	C-1	Q5002	C-2
D5003	C-1	Q5003	C-2
D5004	B-1	Q5004	C-2
D5005	B-1	Q5005	C-2
D5006	B-1	Q5006	C-2
D5007	F-1	Q5007	C-1
D5008	F-1	Q5008	B-2
D5009	E-1	Q5009	B-1
D5010	E-1	Q5010	B-2
D5011	E-1	Q5011	B-2
D5012	D-1	Q5012	B-2
D5013	D-1	Q5013	A-1
D5014	D-1	Q5014	F-1
D5015	F-2	Q5015	F-2
D5016	F-2	Q5016	F-1
D5017	G-2	Q5017	F-2
D5018	G-2	Q5018	F-1
D5019	G-2	Q5019	E-2
D5020	G-2	Q5020	E-1
D5021	G-2	Q5021	E-2
D5022	G-1	Q5022	E-1
D5023	G-2	Q5023	E-2
D5024	G-1	Q5024	E-1
D5025	G-1	Q5025	D-2
		Q5026	D-2
IC5001	A-1	Q5027	D-2
IC5002	A-1	Q5028	D-1
IC5003	F-1	Q5029	D-2

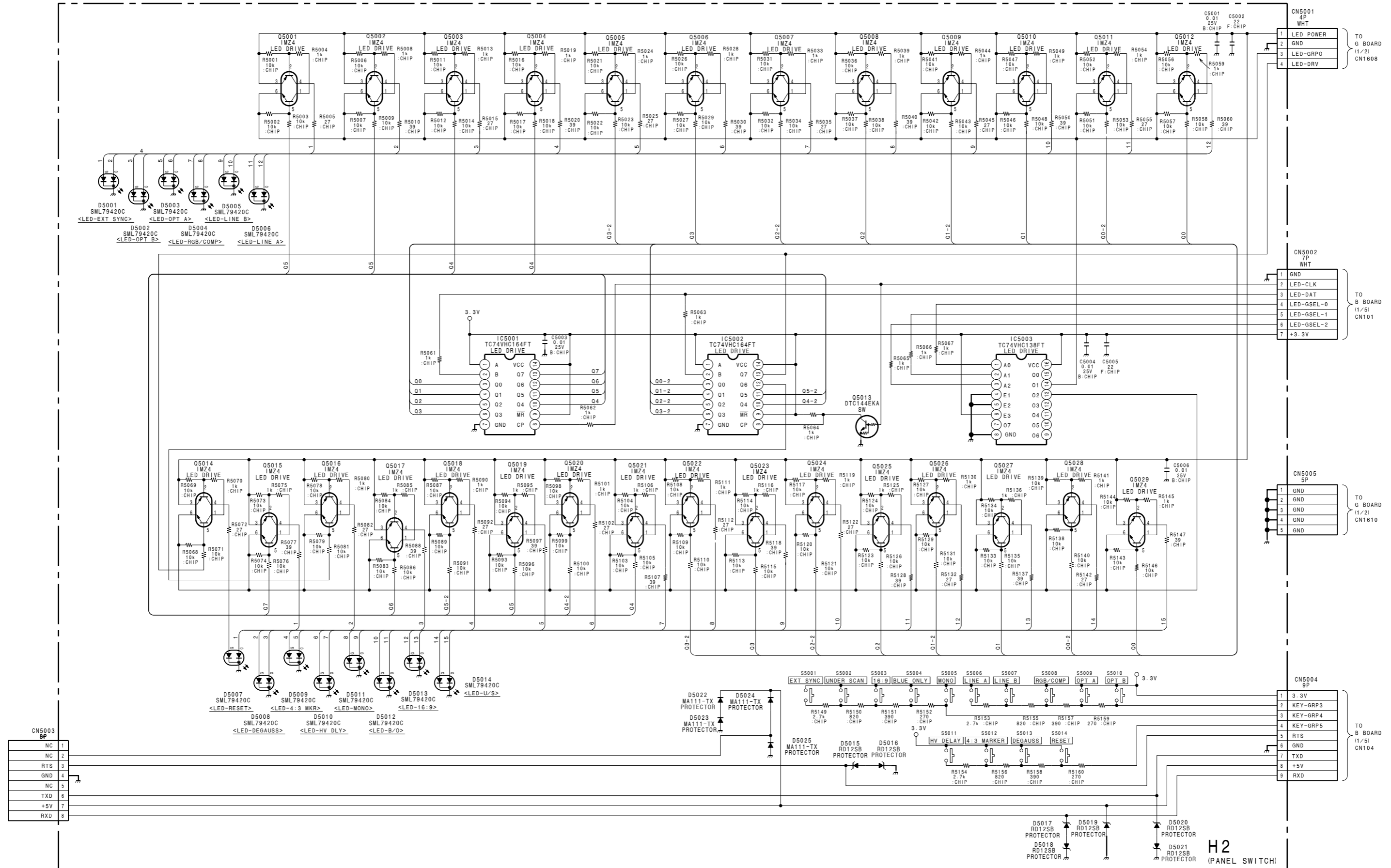
H2 TC74VHC138FT (IC5003)



H2 TC74VHC164FT (IC5001, IC5002)



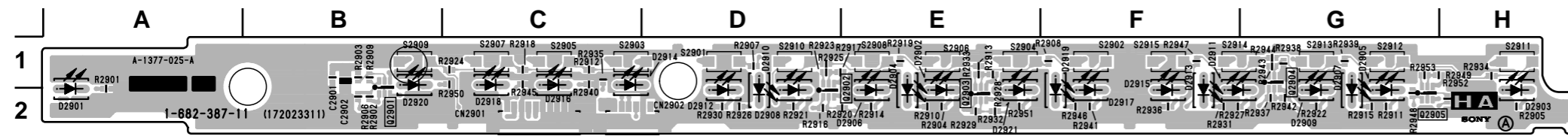
For 14 inch models



H2 (PANEL SWITCH)

B-SS9728UC-H2

For 20 inch models



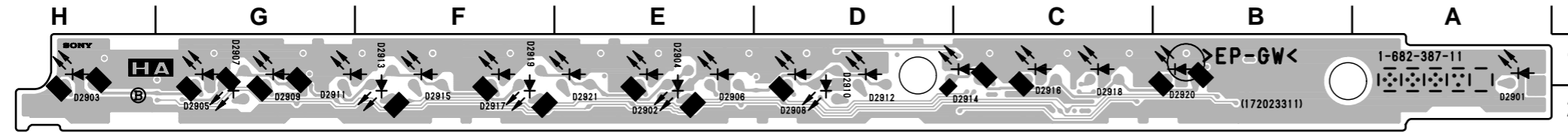
HA -A SIDE-
SUFFIX: -11

HA BOARD

*:B SIDE

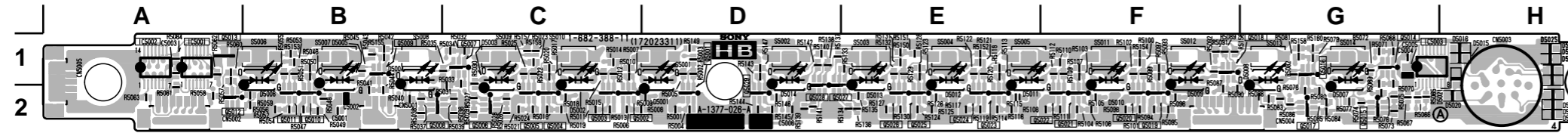
- D2901 A-1
- D2902 E-1
- D2903 H-1
- D2904 E-2
- D2905 G-1
- D2906 E-1
- D2907 G-2
- D2908 D-2
- D2909 G-1
- D2910 D-1
- D2911 F-1
- D2912 D-1
- D2913 F-2
- D2914 C-1
- D2915 F-1
- D2916 C-1
- D2917 F-1
- D2918 C-1
- D2919 F-2
- D2920 B-1
- D2921 E-1
- Q2901 B-2
- Q2902 D-2
- Q2903 E-2
- Q2904 G-2
- Q2905 G-2

For 20 inch models



HA -B SIDE-
SUFFIX: -11

For 20 inch models



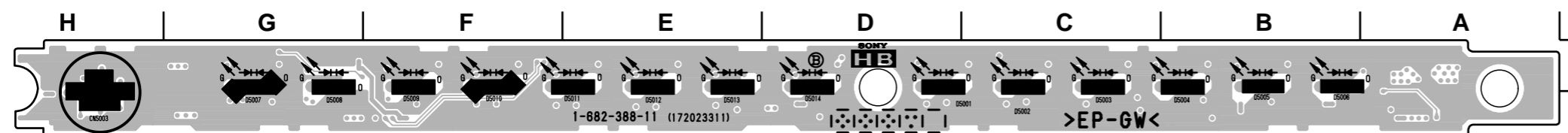
HB -A SIDE-
SUFFIX: -11

HB BOARD

*:B SIDE

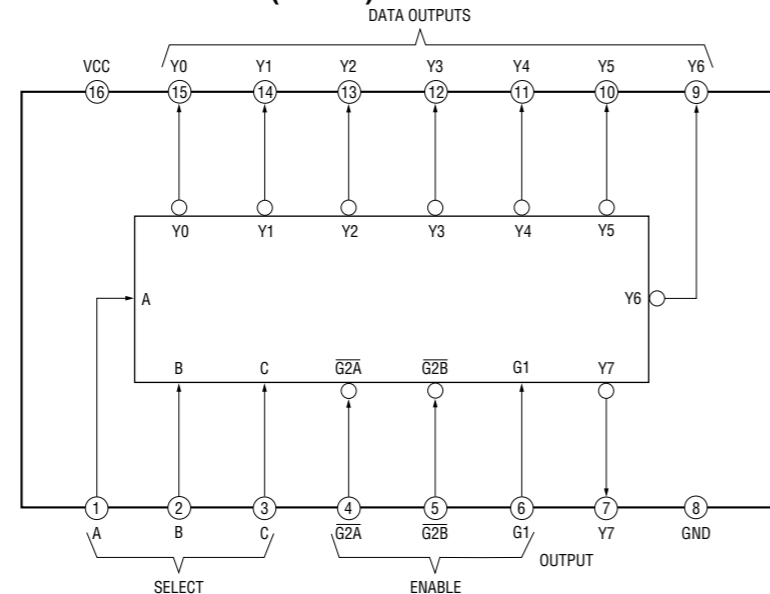
- D5001 D-1
- D5002 C-1
- D5003 C-1
- D5004 B-1
- D5005 B-1
- D5006 B-1
- D5007 G-1
- D5008 G-1
- D5009 F-1
- D5010 F-1
- D5011 E-1
- D5012 E-1
- D5013 E-1
- D5014 D-1
- D5015 H-1
- D5016 H-1
- D5017 H-2
- D5018 H-2
- D5019 H-2
- D5020 H-2
- D5021 H-2
- D5022 H-1
- D5023 H-1
- D5024 H-1
- D5025 H-1
- IC5001 A-1
- IC5002 A-1
- IC5003 G-1
- Q5001 D-2
- Q5002 C-2
- Q5003 C-2
- Q5004 C-2
- Q5005 C-2
- Q5006 C-2
- Q5007 C-1
- Q5008 B-2
- Q5009 B-1
- Q5010 B-2
- Q5011 B-2
- Q5012 A-2
- Q5013 A-1
- Q5014 G-1
- Q5015 G-2
- Q5016 G-1
- Q5017 G-2
- Q5018 F-1
- Q5019 F-2
- Q5020 F-2
- Q5021 F-2
- Q5022 F-2
- Q5023 E-2
- Q5024 E-2
- Q5025 E-2
- Q5026 E-2
- Q5027 D-2
- Q5028 D-2
- Q5029 D-2

For 20 inch models

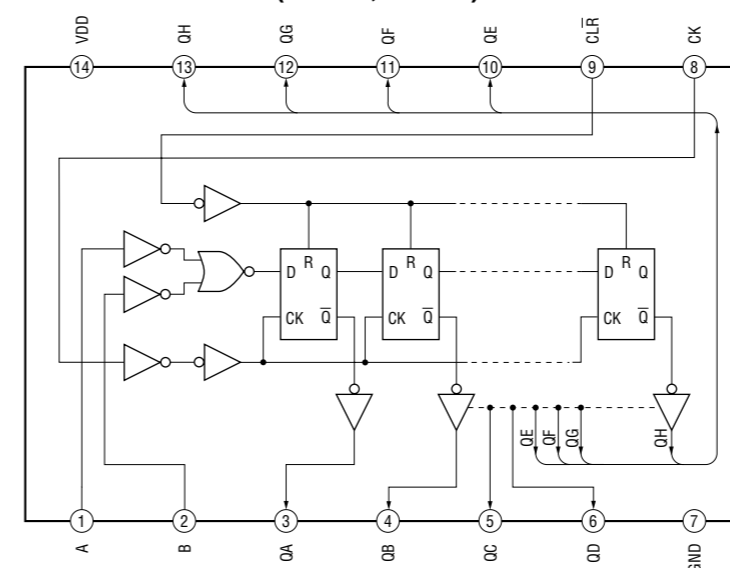


HB -B SIDE-
SUFFIX: -11

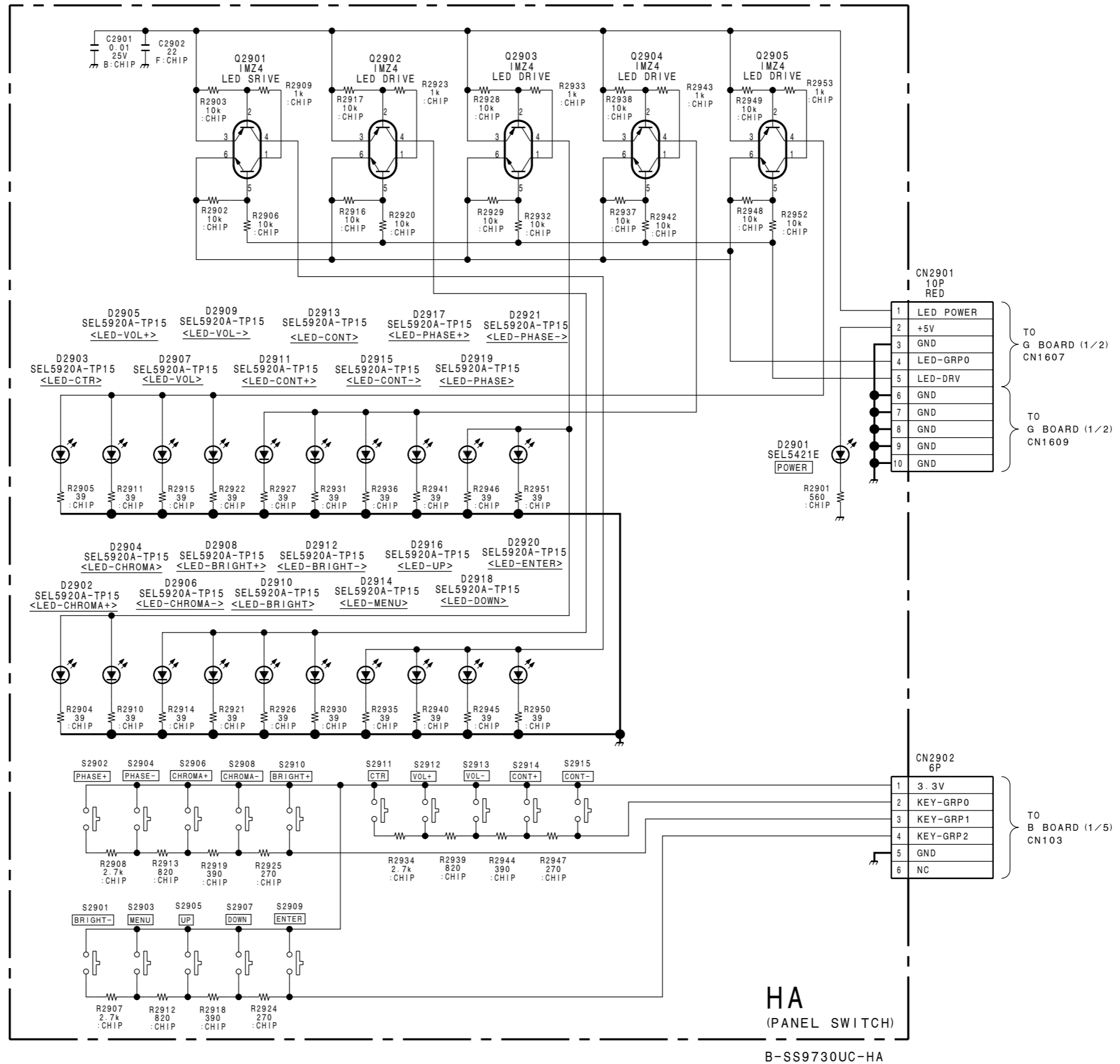
HB TC74VHC138FT (IC5003)



HB TC74VHC164FT (IC5001, IC5002)



For 20 inch models



HA
(PANEL SWITCH)

B-SS9730UC-HA

For 20 inch models

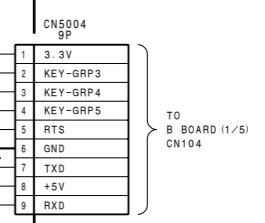
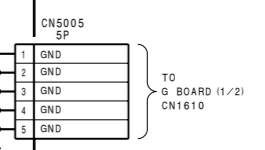
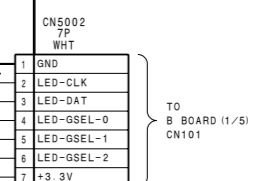
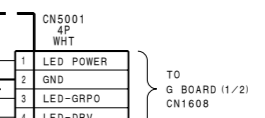
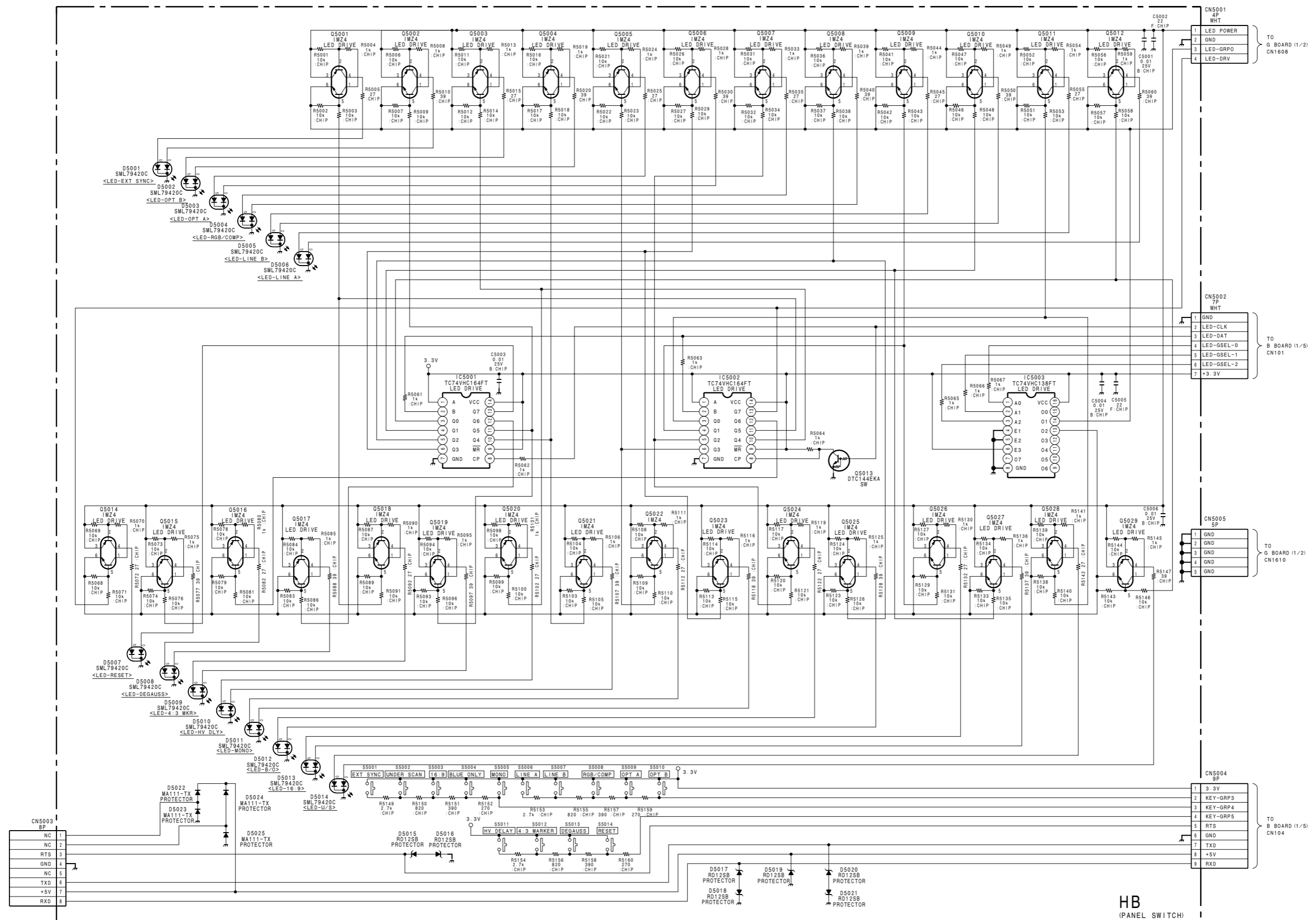
1

2

3

4

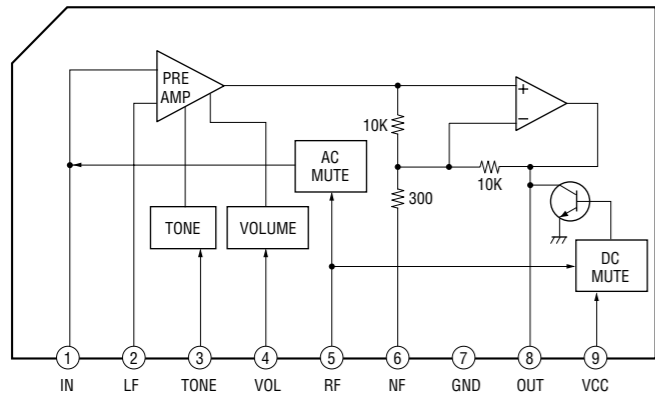
5



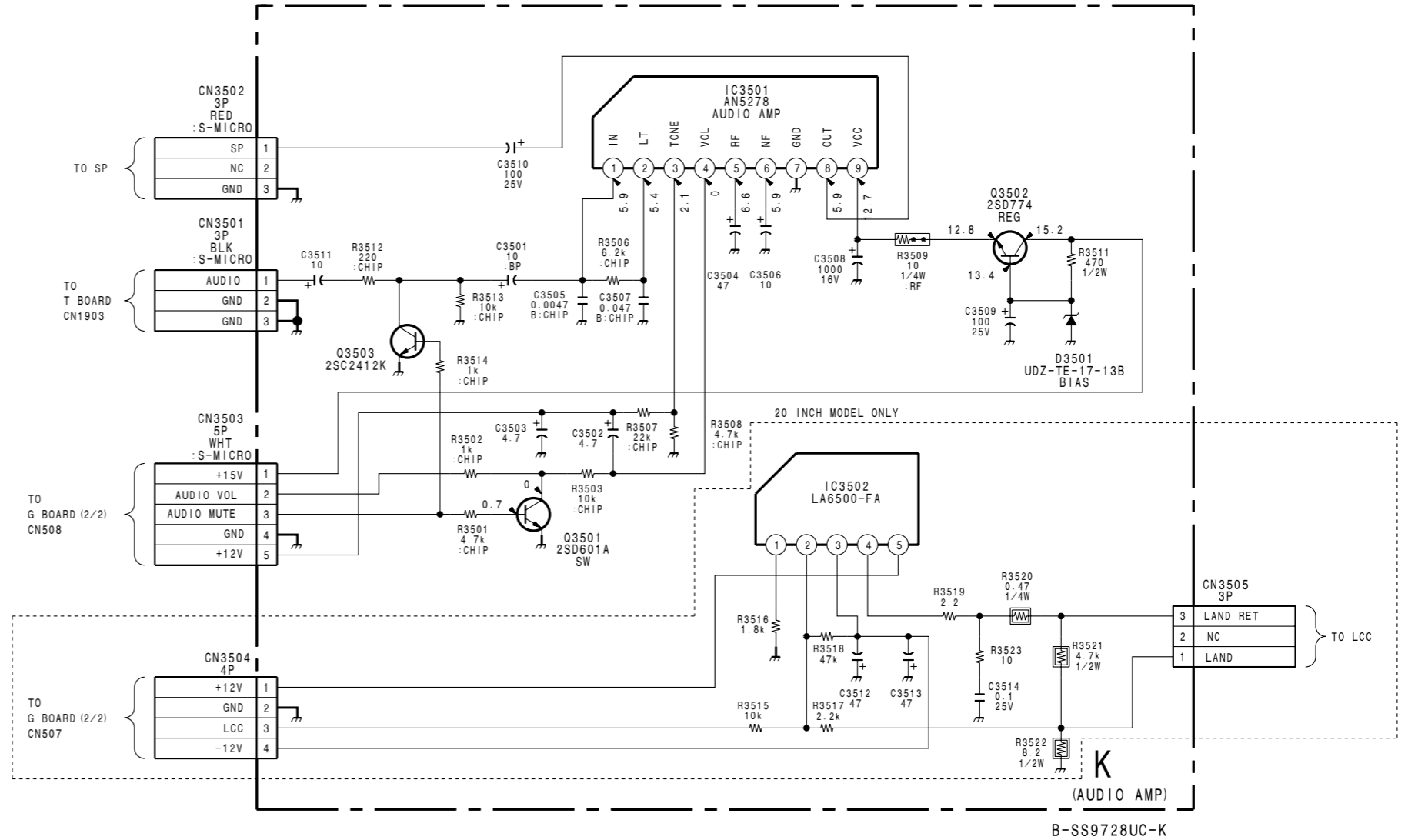
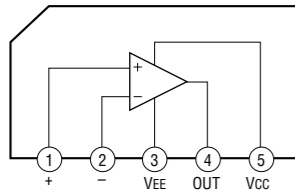
HB
(PANEL SWITCH)

B-SS9730UC-HB

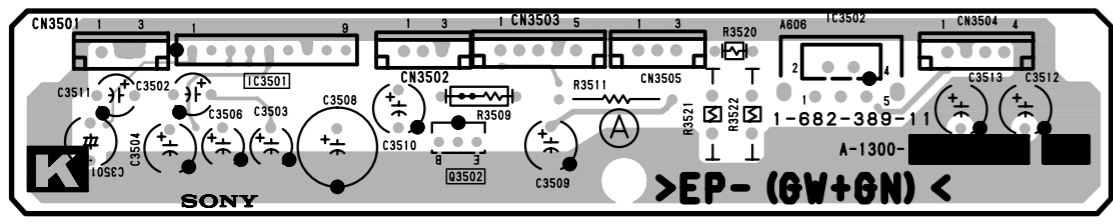
K AN5278 (IC3501)



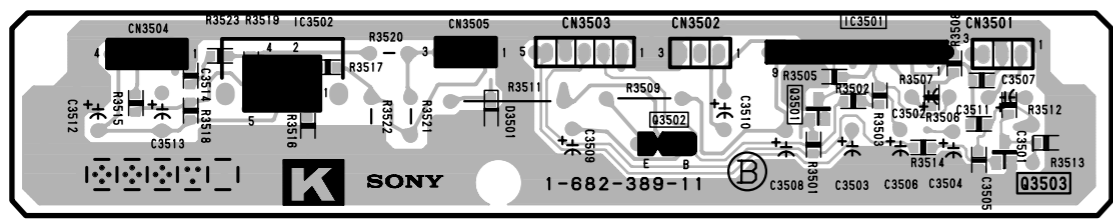
K LA6500-FA (IC3502)



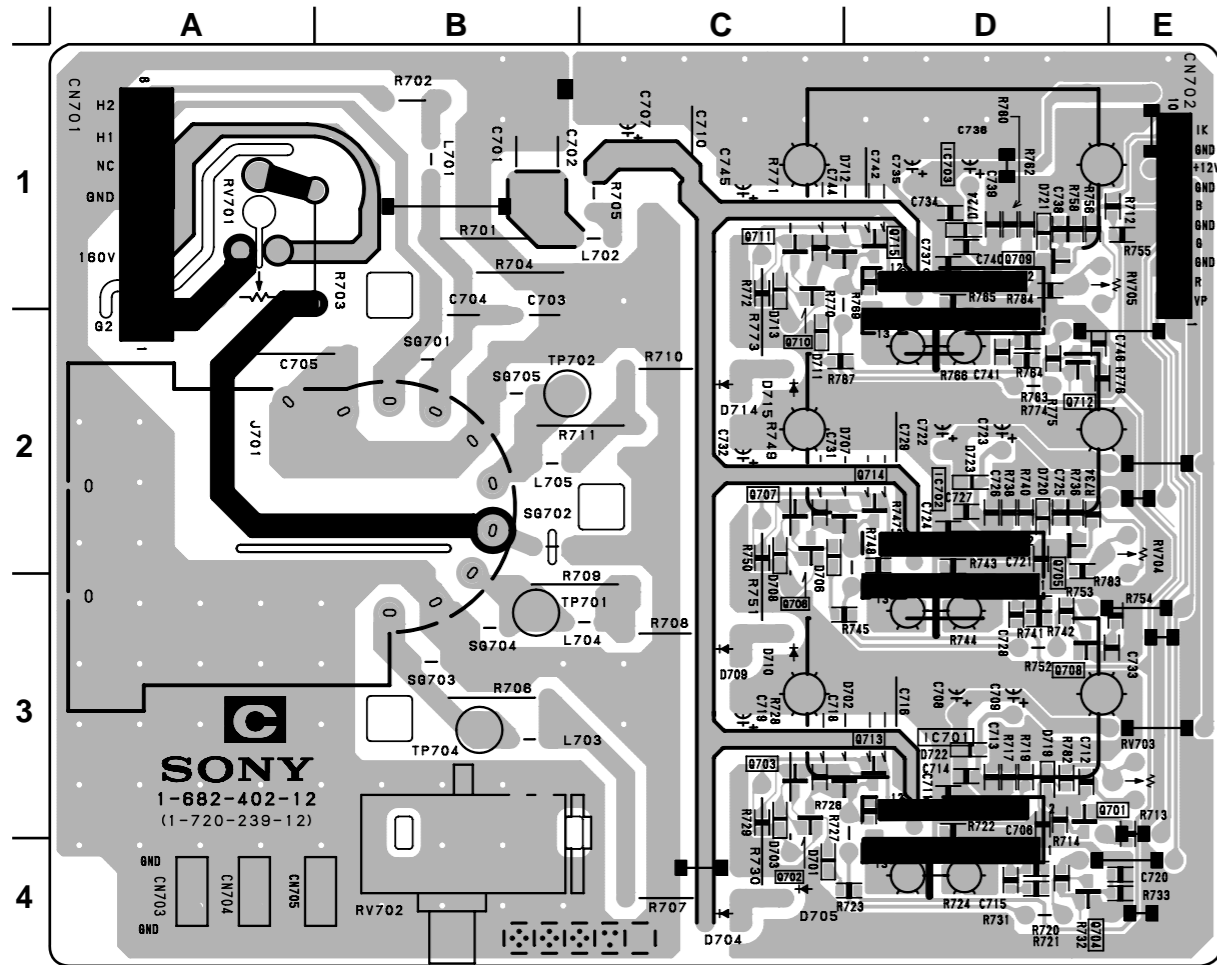
B-SS9728UC-K



K -A SIDE-
SUFFIX: -11



K -B SIDE-
SUFFIX: -11



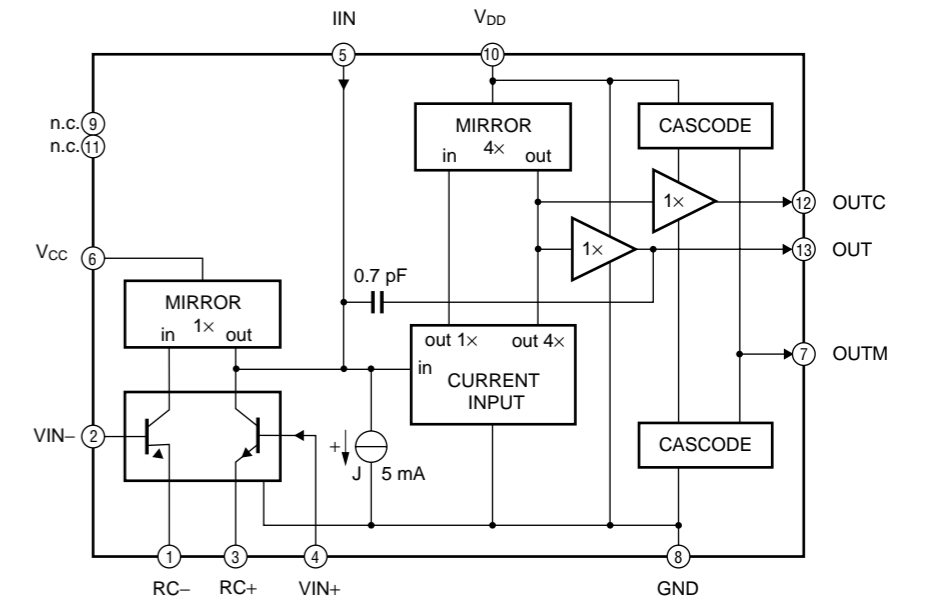
C -B SIDE-
SUFFIX: -12

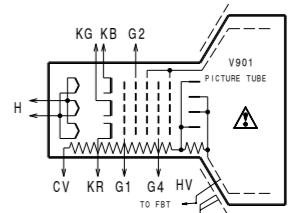
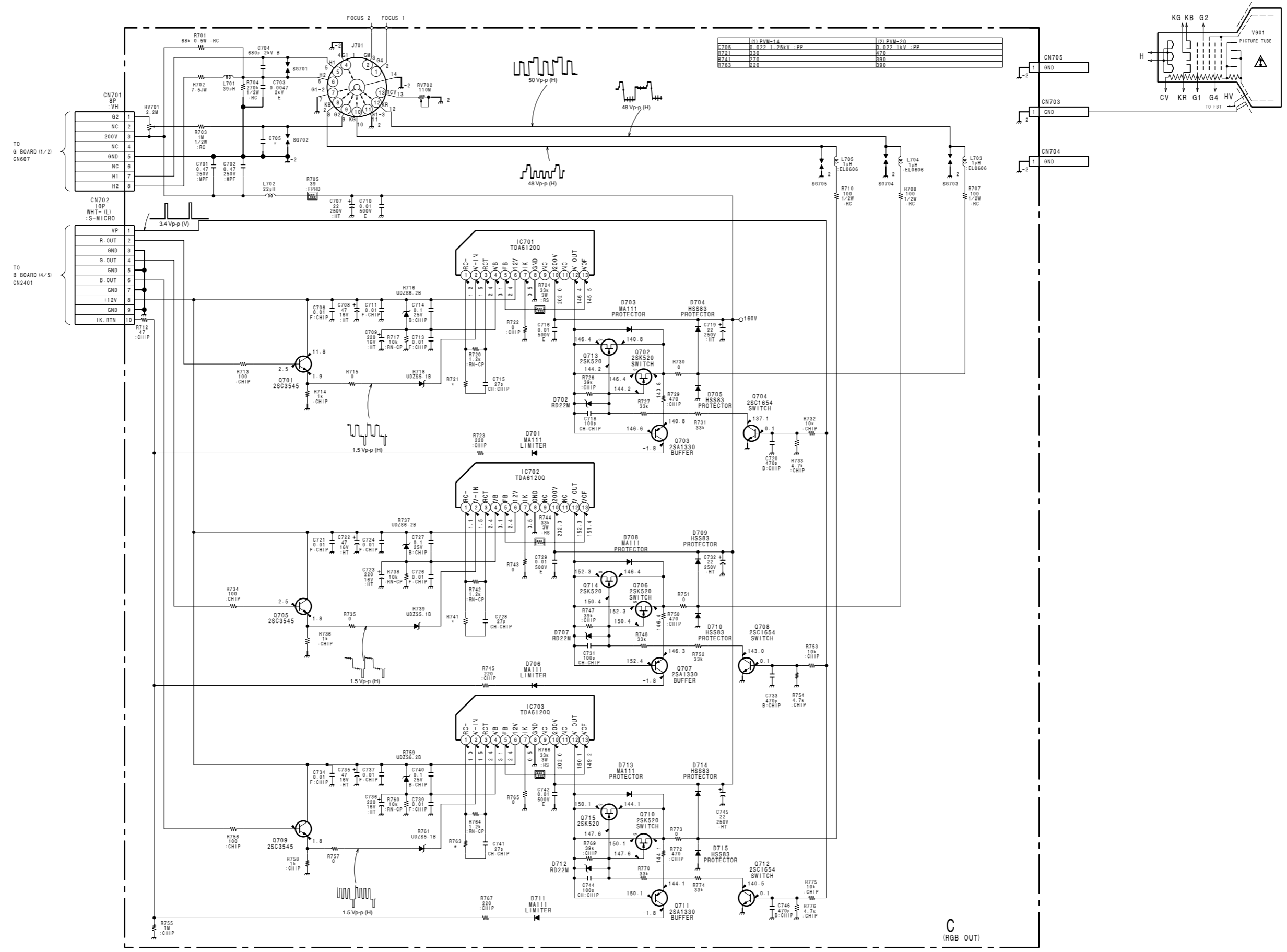
C BOARD

*:B SIDE

D701	* C-4	Q701	* D-3
D702	* C-3	Q702	* C-3
D703	* C-3	Q703	* C-3
D704	C-4	Q704	* D-4
D705	C-4	Q705	* D-2
D706	* C-2	Q706	* C-2
D707	* C-2	Q707	* C-2
D708	* C-2	Q708	* D-3
D709	C-3	Q709	D-1
D710	C-3	Q710	* C-1
D711	* C-2	Q711	* C-1
D712	* C-1	Q712	* D-2
D713	* C-1	Q713	* D-3
D714	C-2	Q714	* D-2
D715	C-2	Q715	* D-1
D719	* D-3		
D720	* D-2	RV701	A-1
D721	* D-1	RV702	B-4
D722	* D-3	RV703	E-3
D723	* D-2	RV704	E-2
D724	* D-1	RV705	E-1
IC701	D-3	TP701	B-3
IC702	D-2	TP702	B-2
IC703	D-1	TP704	B-3

C TDA6120Q (IC701, IC702, IC703)

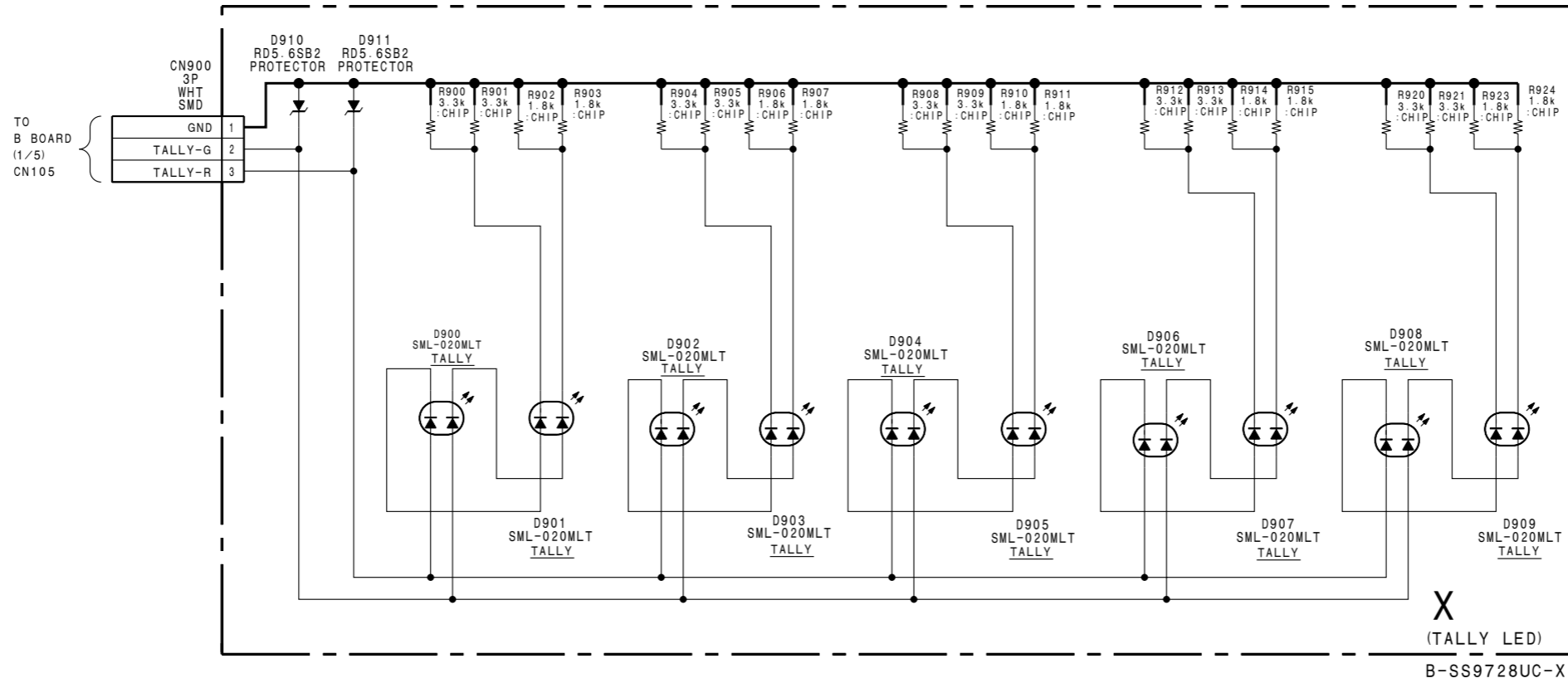




(1) PVM-14	(2) PVM-20
R705 0.22 1.25kV PP	D.022 1kV PP
R721 330	R70 470
R741 270	R90
R763 220	R90

C (RGB OUT)

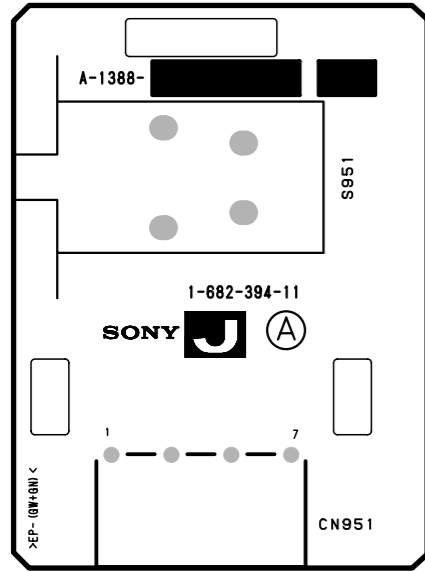
B-SS9728UC-C



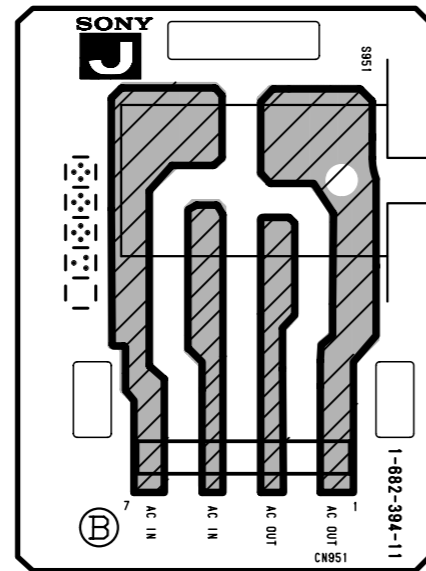
X -A SIDE-
SUFFIX: -11



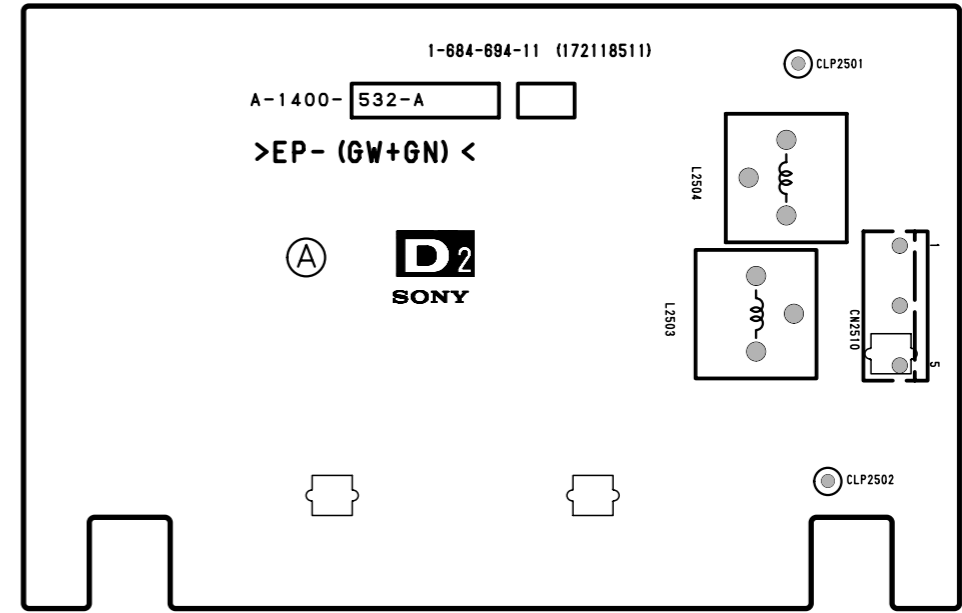
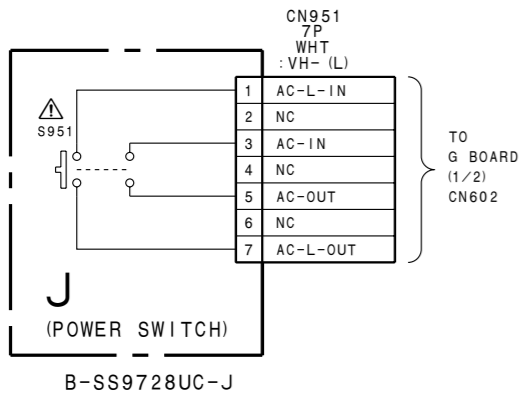
X -B SIDE-
SUFFIX: -11



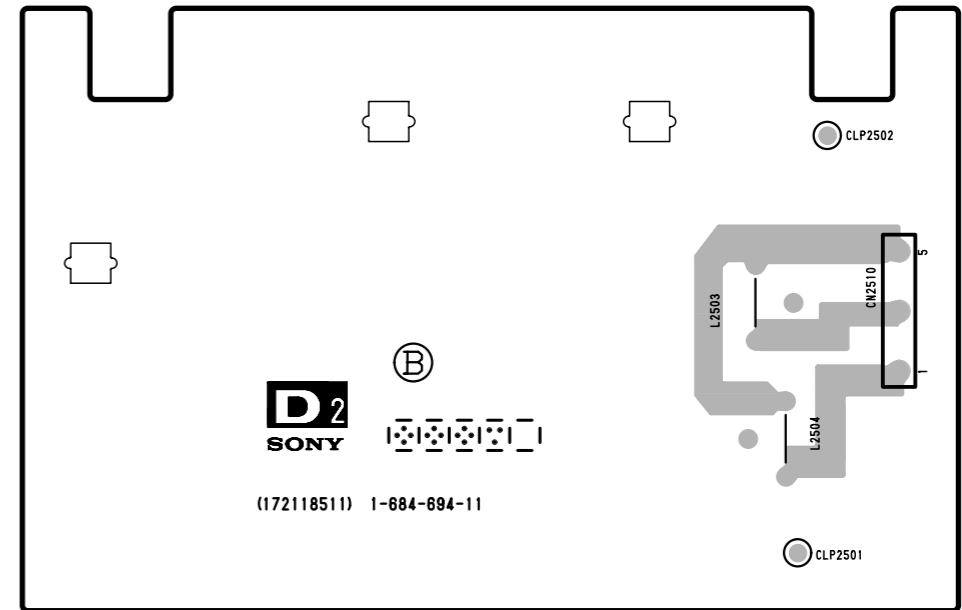
J -A SIDE-
SUFFIX: -11



J -B SIDE-
SUFFIX: -11

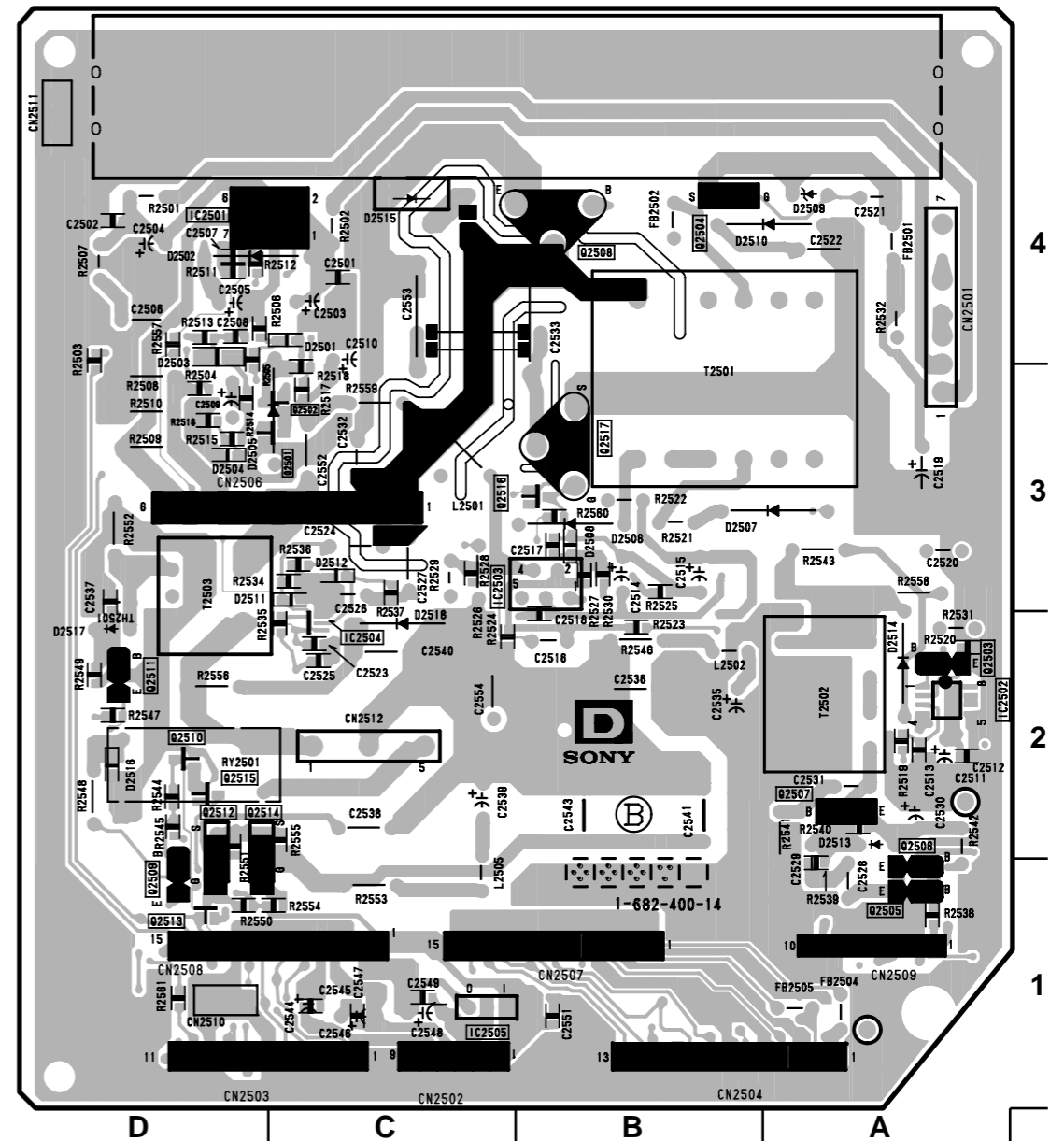
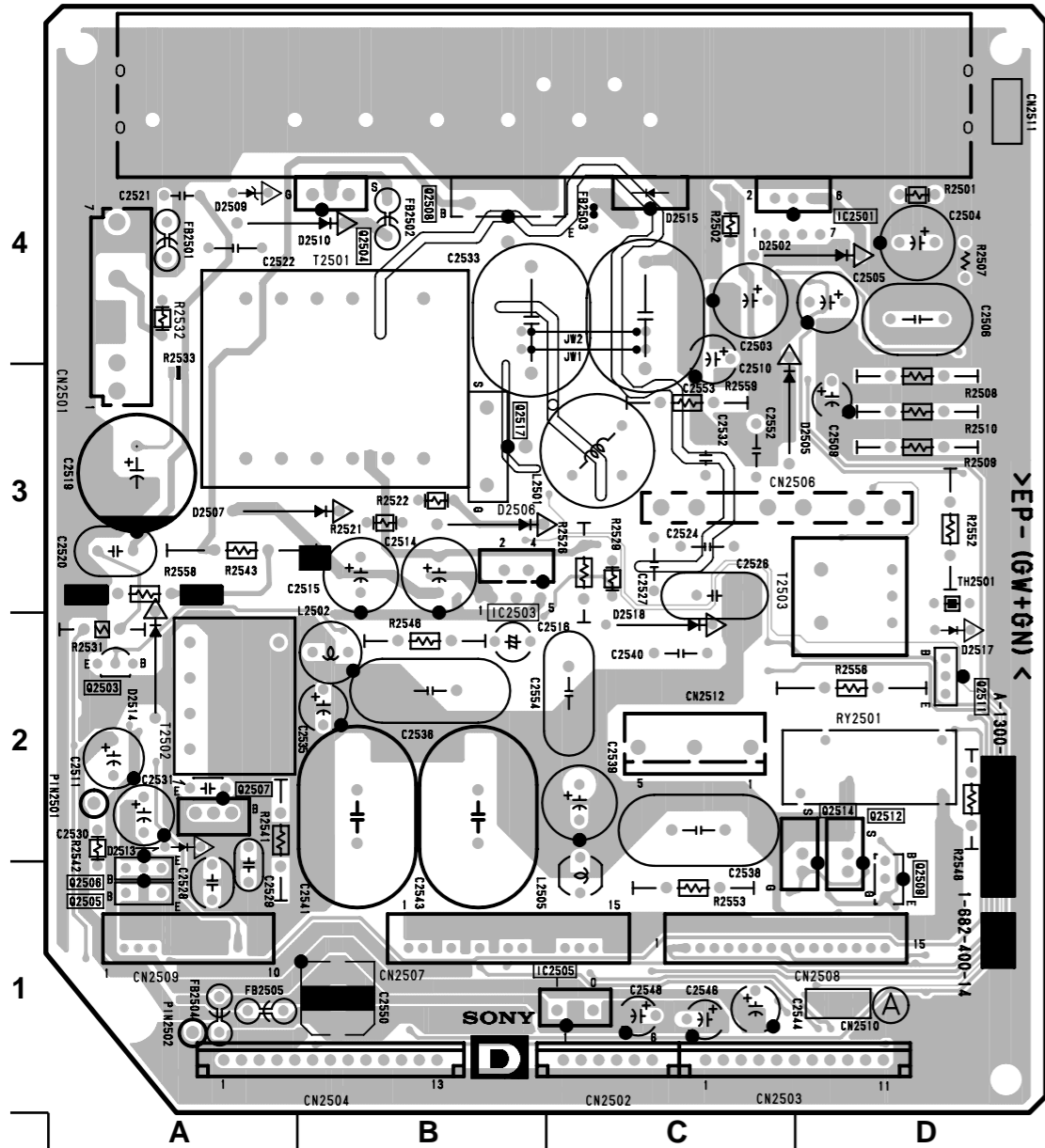


D2 -A SIDE-
SUFFIX: -11



D2 -B SIDE-
SUFFIX: -11

1
2
3
4
5



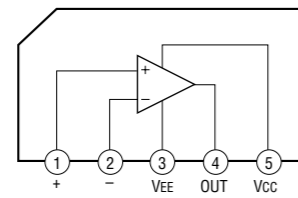
D BOARD

*:B SIDE

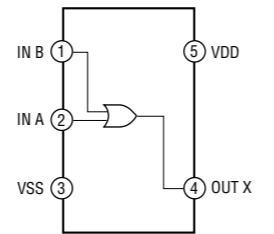
D2501	*C-4	Q2501	*C-3
D2502	D-4	Q2502	*C-3
D2503	*D-4	Q2503	A-2
D2504	*D-3	Q2504	B-4
D2505	D-3	Q2505	A-1
D2506	B-3	Q2506	A-1
D2507	A-3	Q2507	A-2
D2508	*B-3	Q2508	B-4
D2509	A-4	Q2509	D-1
D2510	B-4	Q2510	*D-2
D2511	*C-3	Q2511	D-2
D2512	*C-3	Q2512	D-2
D2513	A-2	Q2513	*D-1
D2514	A-2	Q2514	D-2
D2515	C-4	Q2515	*D-2
D2516	*D-2	Q2516	*C-3
D2517	D-2	Q2517	B-3
D2518	C-2		

IC2501	D-4
IC2502	*A-2
IC2503	B-3
IC2504	*C-2
IC2505	C-1

D LA6500-FA (IC2503)



D TC4S71F (IC2504)



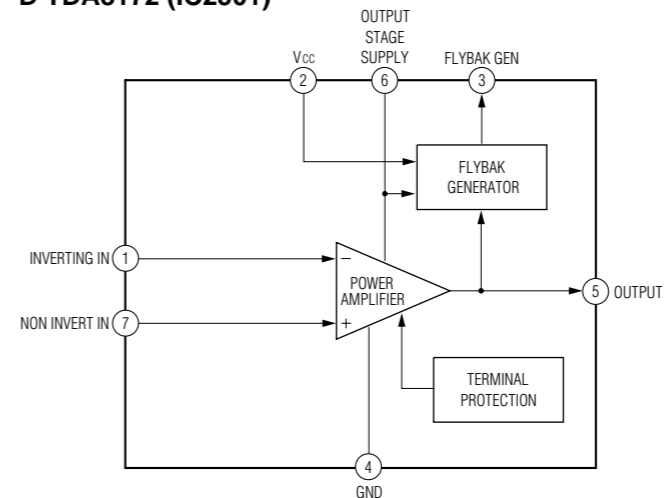
D -A SIDE-

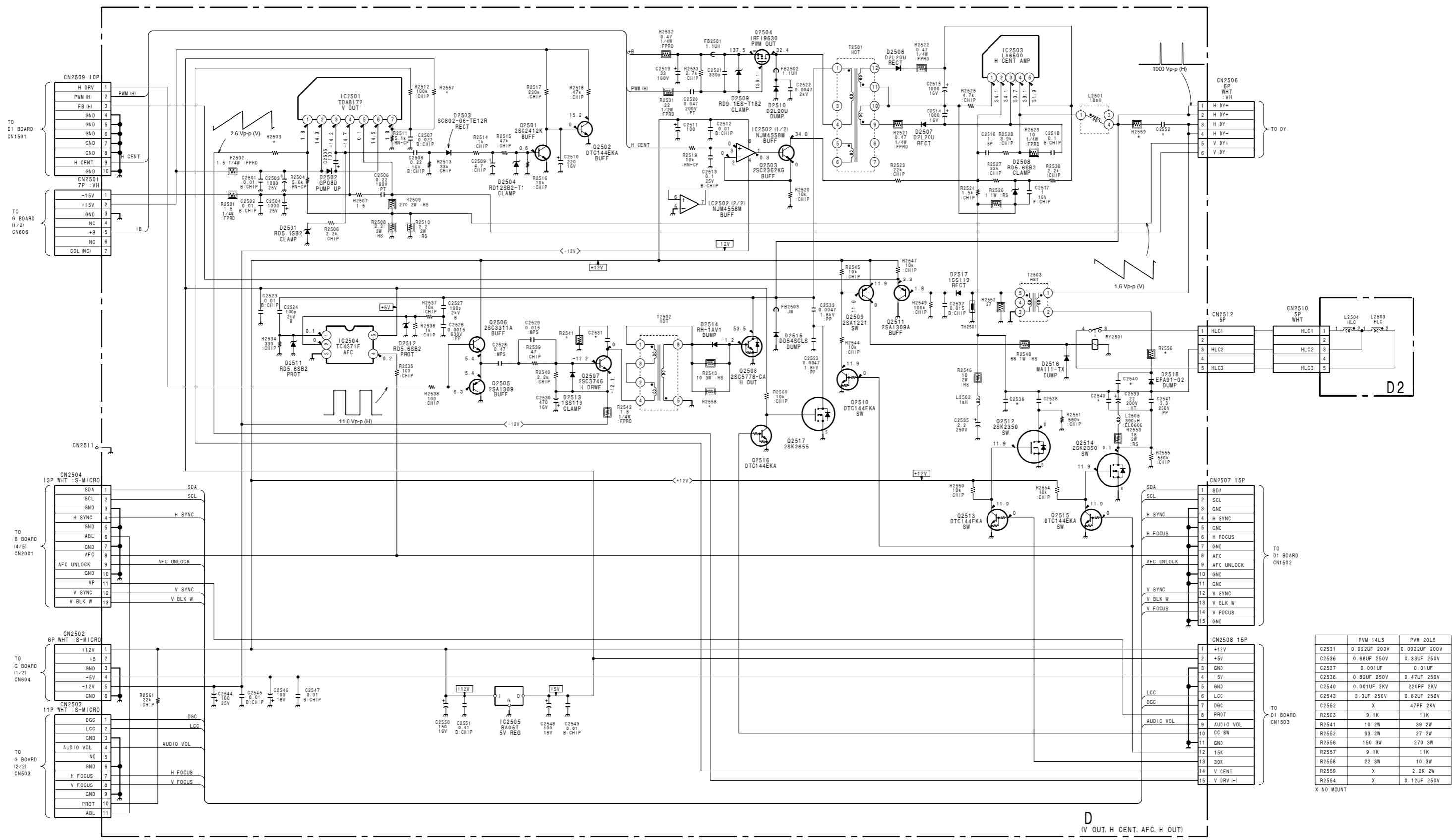
SUFFIX: -14

D -B SIDE-

SUFFIX: -14

D TDA8172 (IC2501)



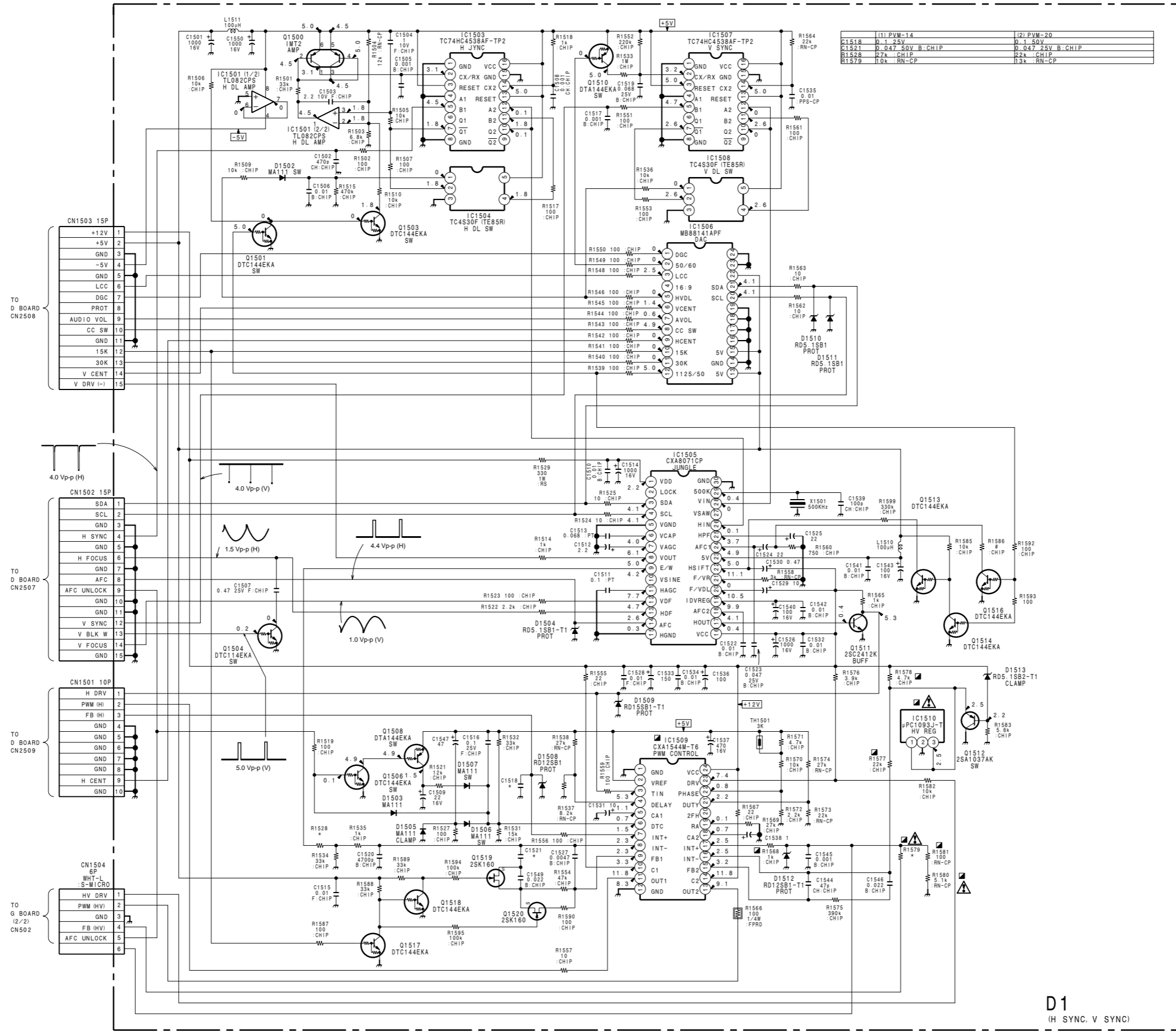


	PVM-14L5	PVM-20L5
C2531	0.022UF 200V	0.0022UF 200V
C2536	0.68UF 250V	0.33UF 250V
C2537	0.001UF	0.01UF
C2538	0.82UF 250V	0.47UF 250V
C2540	0.001UF 2KV	220PF 2KV
C2543	3.3UF 250V	0.82UF 250V
C2552	X	47PF 2KV
R2503	9.1K	11K
R2541	10 2W	39 2W
R2552	33 2W	27 2W
R2556	150 3W	270 3W
R2557	9.1K	11K
R2558	22 3W	10 3W
R2559	X	2.2K 2W
R2554	X	0.12UF 250V

X:NO MOUNT

(V OUT, H CENT, AFC, H OUT)

B-SS9728UC-D



	(1) PVM-14	(2) PVM-20
C1518	0.1 25V	0.1 50V
C1521	0.047 50V B.CHIP	0.047 25V B.CHIP
R1528	27k .CHIP	22k .CHIP
R1579	10k .RN-CP	13k .RN-CP

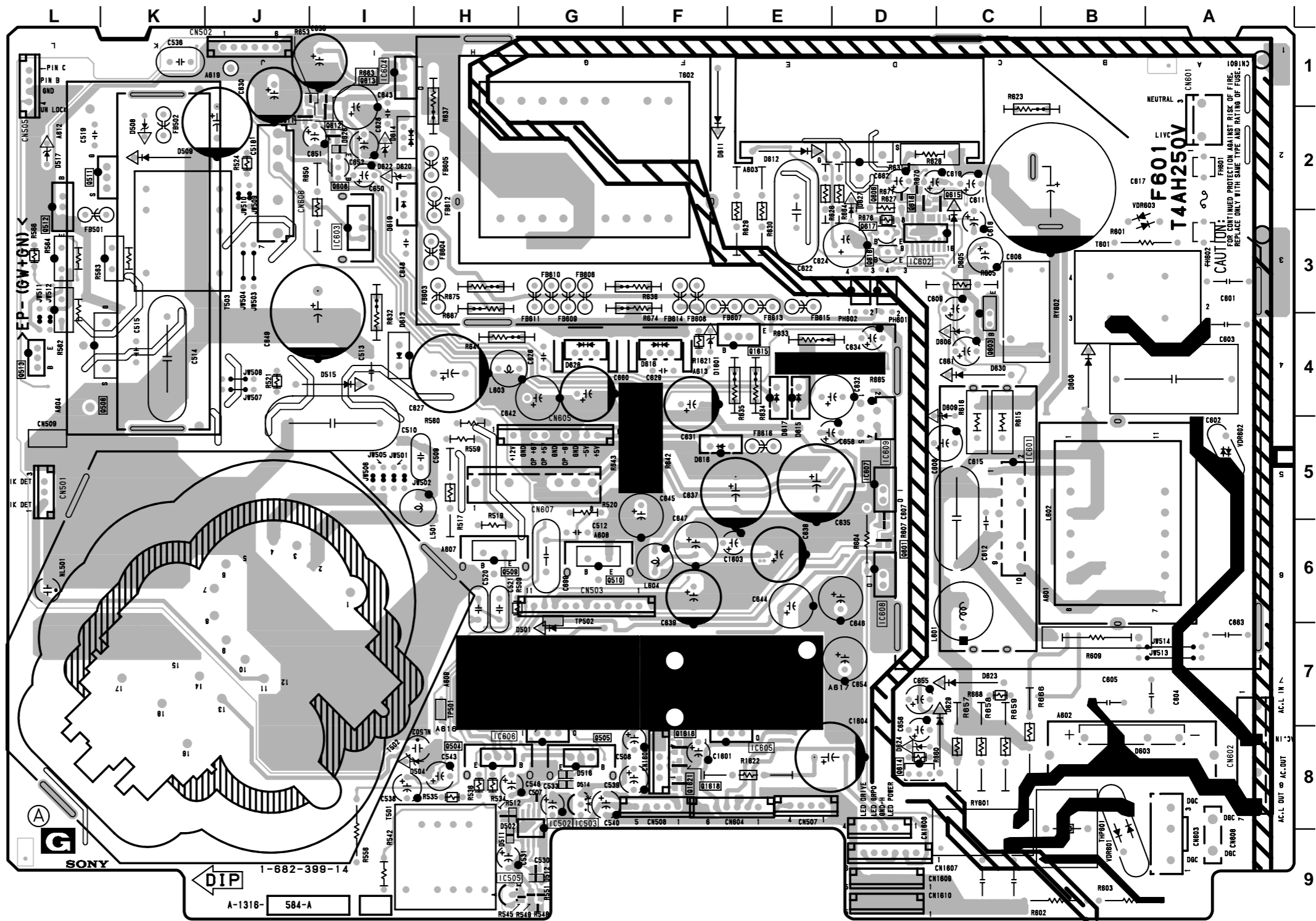
D1 (H SYNC, V SYNC)

B-SS9728UC-D1

G BOARD

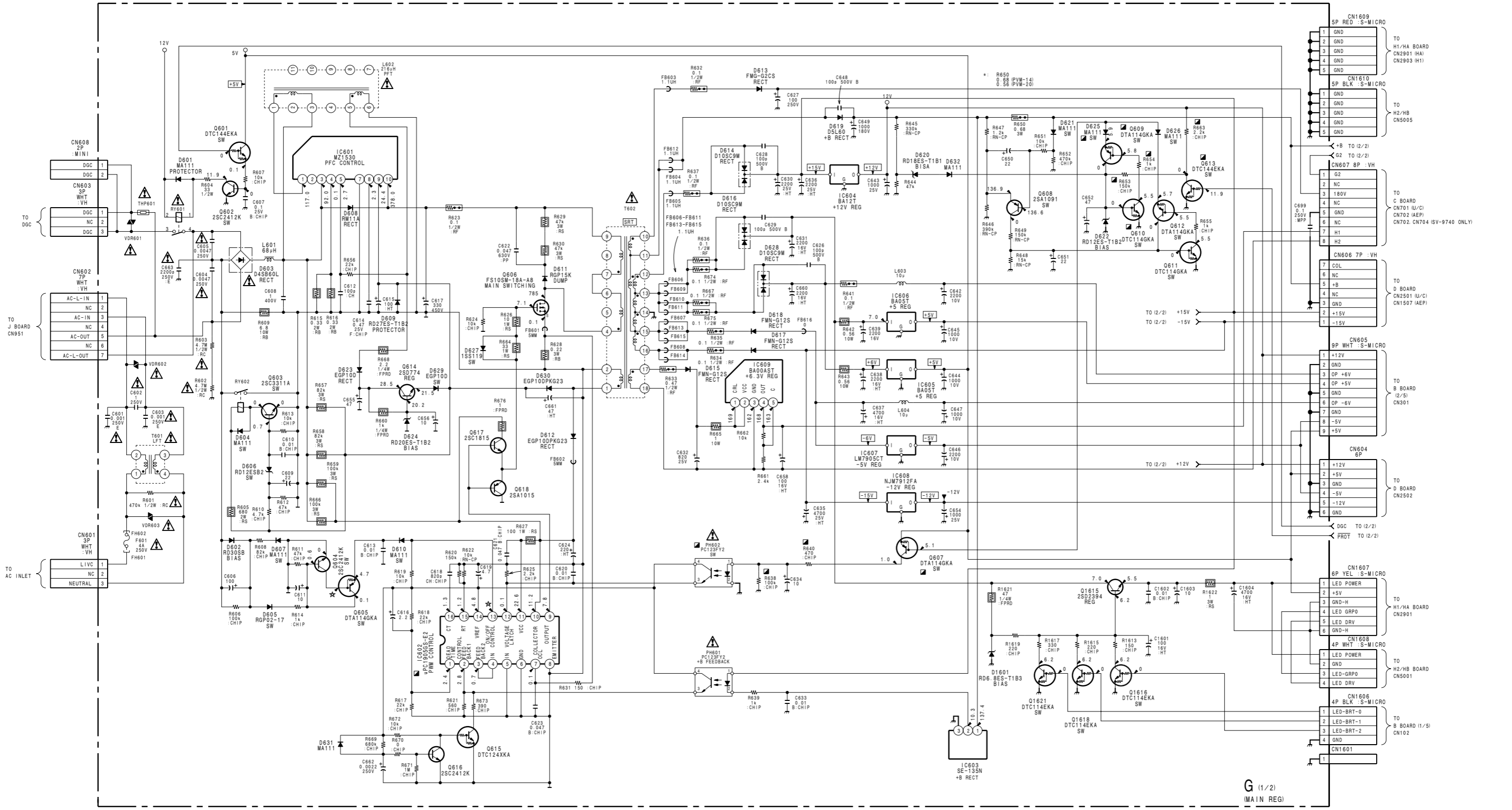
*:B SIDE

D501	G-7	Q501	*G-7
D502	H-8	Q502	*H-7
D503	*G-8	Q503	*H-7
D504	H-8	Q504	H-8
D505	*H-6	Q505	G-8
D506	*G-6	Q506	*L-3
D507	*K-3	Q507	*L-3
D508	K-2	Q508	K-4
D509	K-2	Q509	H-6
D510	*G-8	Q510	G-6
D511	H-9	Q511	K-2
D512	G-9	Q512	L-3
D513	*G-9	Q513	L-4
D514	G-8	Q601	D-6
D515	I-4	Q602	*D-6
D516	G-8	Q603	C-4
D517	L-2	Q604	*C-3
D518	*H-8	Q605	*C-3
D601	*C-9	Q606	D-2
D602	*C-3	Q607	D-4
D603	B-8	Q608	I-2
D604	*C-3	Q609	*I-1
D605	*C-3	Q610	J-1
D606	*C-4	Q611	J-2
D607	*B-3	Q612	I-2
D608	B-4	Q613	I-1
D609	C-4	Q614	D-8
D610	*C-3	Q615	C-2
D611	F-2	Q616	D-2
D612	E-2	Q617	D-3
D613	I-4	Q618	D-3
D614	I-2	Q1615	E-4
D615	E-4	Q1616	F-8
D616	F-4	Q1618	F-8
D617	E-4	Q1621	F-8
D618	F-5		
D619	I-3	TP501	H-7
D620	I-2	TP502	G-6
D621	*J-2		
D622	I-2		
D623	C-7		
D624	D-8		
D625	*I-2		
D626	I-2		
D627	D-3		
D628	G-4		
D629	C-7		
D630	C-4		
D631	C-2		
D632	*I-2		
D1601	F-4		
IC502	G-8		
IC503	G-8		
IC504	*H-7		
IC505	H-9		
IC601	B-5		
IC602	D-3		
IC603	I-3		
IC604	I-1		
IC605	E-8		
IC606	H-8		
IC607	D-5		
IC608	D-6		
IC609	D-5		



G -A SIDE-
SUFFIX: -14

1
2
3
4
5



G (1/2)

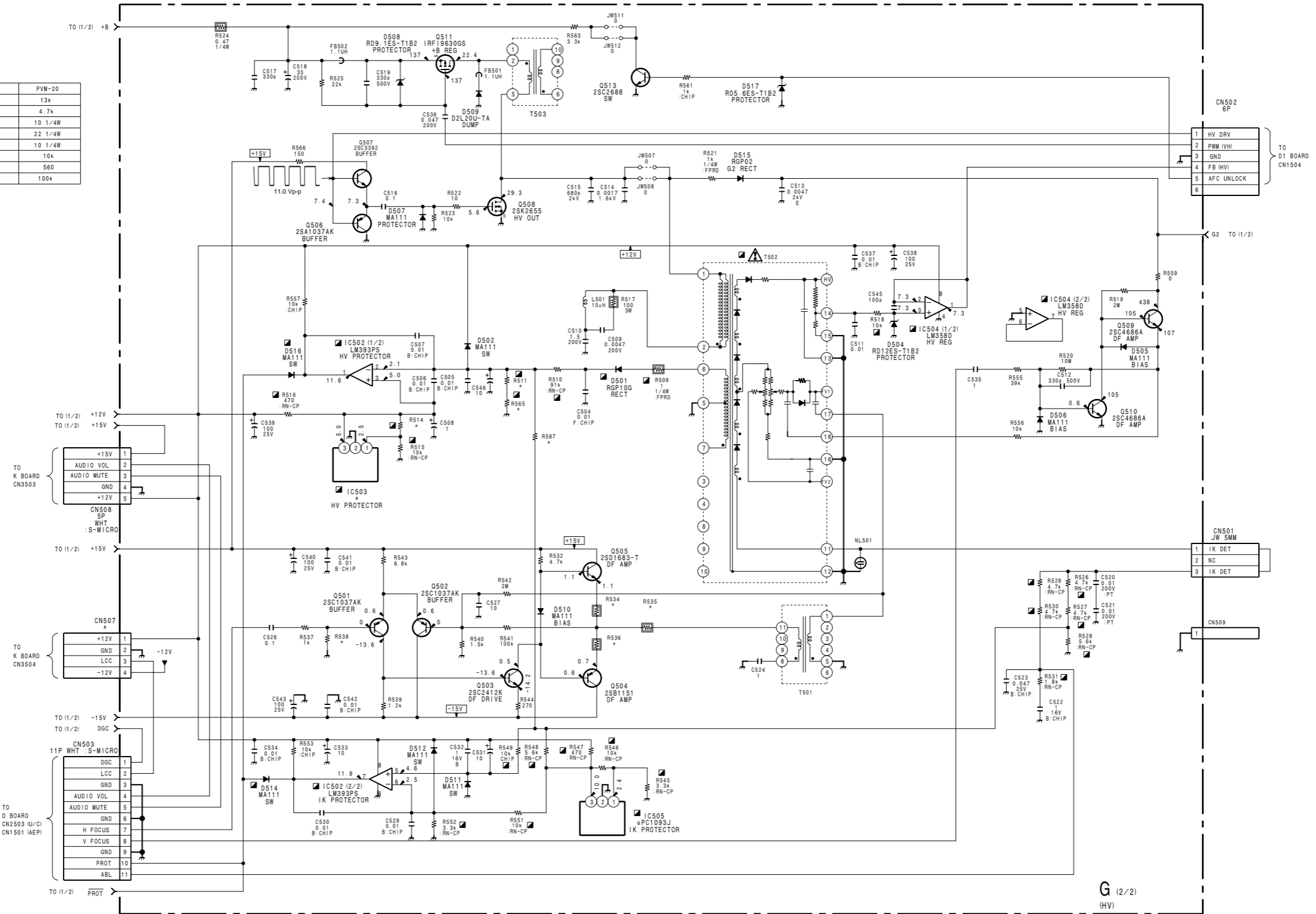
(MAIN REG)

B-SS9728UC-G-P1

A B C D E F G H

	PVM-14	PVM-20
R511	24k	13k
R514	10k	4.7k
R534	22 1/4W	10 1/4W
R535	47 1/4W	22 1/4W
R536	22 1/4W	10 1/4W
R538	4.7k	10k
R565	0	560
R567	X	100k

X:NO MOUNT



G (2/2)
(HV)
B-SS9728UC-G-P2

SAFETY CHECK-OUT

After correcting the original service problem, perform the following safety checks before releasing the set to the customer :

Check the metal trim, "metallized" knobs, screws, and all other exposed metal parts for AC leakage. Check leakage as described below.

LEAKAGE TEST

The AC leakage from any exposed metal part to earth ground and from all exposed metal parts to any exposed metal part having a return to chassis, must not exceed 0.5 mA. Leakage current can be measured by any one of three methods.

1. A commercial leakage tester, such as the Simpson 229 or RCA WT-540A. Follow the manufacturers' instructions to use these instruments.
2. A battery-operated AC milliammeter. The Data Precision 245 digital multimeter is suitable for this job.
3. Measuring the voltage drop across a resistor by means of a VOM or battery-operated AC voltmeter. The "limit" indication is 0.75 V, so analog meters must have an accurate low-voltage scale. The Simpson 250 and Sanwa SH-63Trd are examples of a passive VOM that is suitable. Nearly all battery operated digital multimeters that have a 2 V AC range are suitable. (See Fig. A)

