

**SONY**<sup>®</sup>

TRINITRON<sup>®</sup> COLOR VIDEO MONITOR

**PVM-14L1**

**PVM-14L1MDE**

**PVM-20L1**

**SSM-14L1**

**SSM-20L1**

SERVICE MANUAL

1st Edition (Revised 1)

## **⚠ 警告**

このマニュアルは、サービス専用です。  
お客様が、このマニュアルに記載された設置や保守、点検、修理などを行うと感電や火災、人身事故につながる可能性があります。  
危険をさけるため、サービストレーニングを受けた技術者のみご使用ください。

## **⚠ WARNING**

This manual is intended for qualified service personnel only.  
To reduce the risk of electric shock, fire or injury, do not perform any servicing other than that contained in the operating instructions unless you are qualified to do so. Refer all servicing to qualified service personnel.

## **⚠ WARNUNG**

Die Anleitung ist nur für qualifiziertes Fachpersonal bestimmt.  
Alle Wartungsarbeiten dürfen nur von qualifiziertem Fachpersonal ausgeführt werden. Um die Gefahr eines elektrischen Schlages, Feuergefahr und Verletzungen zu vermeiden, sind bei Wartungsarbeiten strikt die Angaben in der Anleitung zu befolgen. Andere als die angegeben Wartungsarbeiten dürfen nur von Personen ausgeführt werden, die eine spezielle Befähigung dazu besitzen.

## **⚠ AVERTISSEMENT**

Ce manuel est destiné uniquement aux personnes compétentes en charge de l'entretien. Afin de réduire les risques de décharge électrique, d'incendie ou de blessure n'effectuer que les réparations indiquées dans le mode d'emploi à moins d'être qualifié pour en effectuer d'autres. Pour toute réparation faire appel à une personne compétente uniquement.

- Equipment energized from an external electrical power source :  
Class I Equipment
- Degree of protection against electric shock :  
No applied part
- Mode of operation :  
Continuous operation

### **WARNING!!**

**AN INSULATED TRANSFORMER SHOULD BE USED DURING ANY SERVICE TO AVOID POSSIBLE SHOCK HAZARD, BECAUSE OF LIVE CHASSIS. THE CHASSIS OF THIS RECEIVER IS DIRECTLY CONNECTED TO THE AC POWER LINE.**

### **SAFETY-RELATED COMPONENT WARNING !!**

**COMPONENTS IDENTIFIED BY A ⚠ MARK ON THE SCHEMATIC DIAGRAMS, EXPLODED VIEWS AND IN THE PARTS LIST ARE CRITICAL TO SAFE OPERATION. REPLACE THESE COMPONENTS WITH SONY PARTS WHOSE PART NUMBERS APPEAR AS SHOWN IN THIS MANUAL OR IN SUPPLEMENTS PUBLISHED BY SONY. CIRCUIT ADJUSTMENTS THAT ARE CRITICAL TO SAFE OPERATION ARE IDENTIFIED IN THIS MANUAL. FOLLOW THESE PROCEDURES WHENEVER CRITICAL COMPONENTS ARE REPLACED OR IMPROPER OPERATION IS SUSPECTED.**

### **ATTENTION!!**

**AFIN D'ÉVITER TOUT RISQUE D'ÉLECTROCUTION PROVENANT D'UN CHÂSSIS SOUS TENSION, UN TRANSFORMATEUR D'ISOLEMENT DOIT ÊTRE UTILISÉ LORS DE TOUT DÉPANNAGE. LE CHÂSSIS DE CE RÉCEPTEUR EST DIRECTEMENT RACCORDÉ À L'ALIMENTATION SECTEUR.**

### **ATTENTION AUX COMPOSANTS RELATIFS À LA SÉCURITÉ!!**

**LES COMPOSANTS IDENTIFIÉS PAR UNE MAPQUE ⚠ SUR LES SCHÉMAS DE PRINCIPE, LES VUES EXPLOSÉES ET LES LISTES DE PIÈCES SONT D'UNE IMPORTANCE CRITIQUE POUR LA SÉCURITÉ DU FONCTIONNEMENT. NE LES REMPLACER QUE PAR DES COMPOSANTS SONY DONT LE NUMÉRO DE PIÈCE EST INDIQUÉ DANS LE PRÉSENT MANUEL OU DANS DES SUPPLÉMENTS PUBLIÉS PAR SONY. LES RÉGLAGES DE CIRCUIT DONT L'IMPORTANCE EST CRITIQUE POUR LA SÉCURITÉ DU FONCTIONNEMENT SONT IDENTIFIÉS DANS LE PRÉSENT MANUEL. SUIVRE CES PROCÉDURES LORS DE CHAQUE REMPLACEMENT DE COMPOSANTS CRITIQUES, OU LORSQU'UN MAUVAIS FONCTIONNEMENT EST SUSPECTÉ.**

# Table of Contents

## 1. Service Overview

1-1.	Appearance Figure (14 inch).....	1-1
1-2.	Board Locations (14 inch).....	1-1
1-3.	Disassembly (14 inch).....	1-2
1-3-1.	Cabinet and Rear Panel (14 inch).....	1-2
1-3-2.	Q Block Assembly and Q Board (14 inch).....	1-3
1-3-3.	A Board Assembly (14 inch).....	1-4
1-3-4.	C Board (14 inch).....	1-4
1-3-5.	Picture Tube and Bezel Complete Assembly (14 inch).....	1-5
1-3-6.	Anode Cap (14 inch).....	1-6
1-4.	Appearance Figure (20 inch).....	1-7
1-5.	Board Locations (20 inch).....	1-7
1-6.	Disassembly (20 inch).....	1-8
1-6-1.	Cabinet and Rear Panel (20 inch).....	1-8
1-6-2.	Q Block Assembly and Q Board (20 inch).....	1-9
1-6-3.	A Board (20 inch).....	1-10
1-6-4.	C Board (20 inch).....	1-10
1-6-5.	Picture Tube and Bezel Complete Assembly (20 inch).....	1-11
1-6-6.	Anode Cap (20 inch).....	1-12
1-7.	Warning on Power Connection.....	1-12

## 2. Set-up Adjustment

2-1.	Equipment Required.....	2-1
2-2.	Preparations (1).....	2-1
2-3.	Preparation (2). Initialization.....	2-6
2-4.	Writing Model Data.....	2-6
2-5.	Picture Output.....	2-6
2-6.	Landing Adjustment (1).....	2-6
2-7.	Deflection Yoke Neck Rotation Adjustment.....	2-8
2-8.	Convergence Adjustment (1).....	2-9
2-9.	Convergence Adjustment (2).....	2-10
2-10.	Landing Adjustment (2).....	2-10
2-11.	Focus Adjustment.....	2-10
2-12.	White Balance Adjustment.....	2-11
2-12-1.	Sub Bright Adjustment.....	2-11
2-12-2.	White Balance Adjustment [D65].....	2-11
2-12-3.	White Balance Adjustment [D93].....	2-11
2-13.	Deflection Adjustment.....	2-12
2-13-1.	525 Vertical Deflection Adjustment.....	2-12
2-13-2.	625 Vertical Deflection Adjustment.....	2-13
2-14.	Horizontal Deflection Adjustment.....	2-13
2-14-1.	525 Horizontal Deflection Adjustment.....	2-13
2-14-2.	625 Horizontal Deflection Adjustment.....	2-14

2-15.	Sub Contrast Adjustment .....	2-14
2-16.	Adjustment of NTSC Mode .....	2-15
2-16-1.	NTSC Composite Input .....	2-15
2-16-2.	NTSC Y/C Input .....	2-15
2-17.	Adjustment of PAL Mode .....	2-15
2-17-1.	PAL Composite Input .....	2-15
2-17-2.	PAL Y/C Input .....	2-15

### **3. Safety Related Adjustment**

3-1.	+B Voltage Check .....	3-1
3-2.	Protection Circuit Confirmation .....	3-1
3-2-1.	HV Protector Circuit Confirmation .....	3-1

### **4. Semiconductors ..... 4-1**

### **5. Spare Parts**

5-1.	Notes on Repair Parts .....	5-1
5-2.	Exploded Views .....	5-2
5-3.	Electrical Parts List .....	5-10

### **6. Block Diagrams**

Q, A (1/2), C .....	6-1
A (2/2), DY .....	6-2

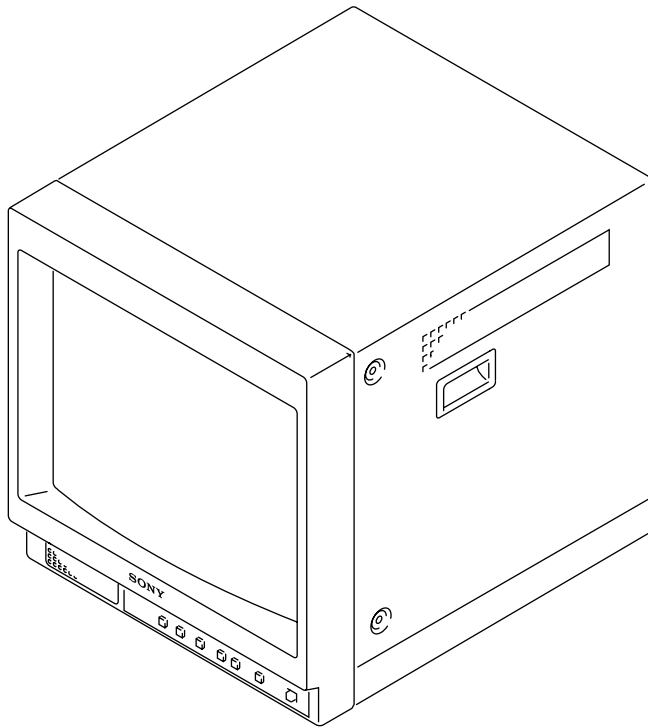
### **7. Diagrams**

7-1.	Frame Schematic Diagram .....	7-2
Frame .....	7-2	
7-2.	Schematic Diagrams and Board Layouts .....	7-3
Schematic Diagrams		
Q .....	7-4	
A (1/3) .....	7-5	
A (2/3) .....	7-6	
A (3/3) .....	7-7	
C (14 Inch) .....	7-12	
C (20 Inch) .....	7-14	
Board Layouts		
Q .....	7-3	
A .....	7-8	
C (14 Inch) .....	7-11	
C (20 Inch) .....	7-13	

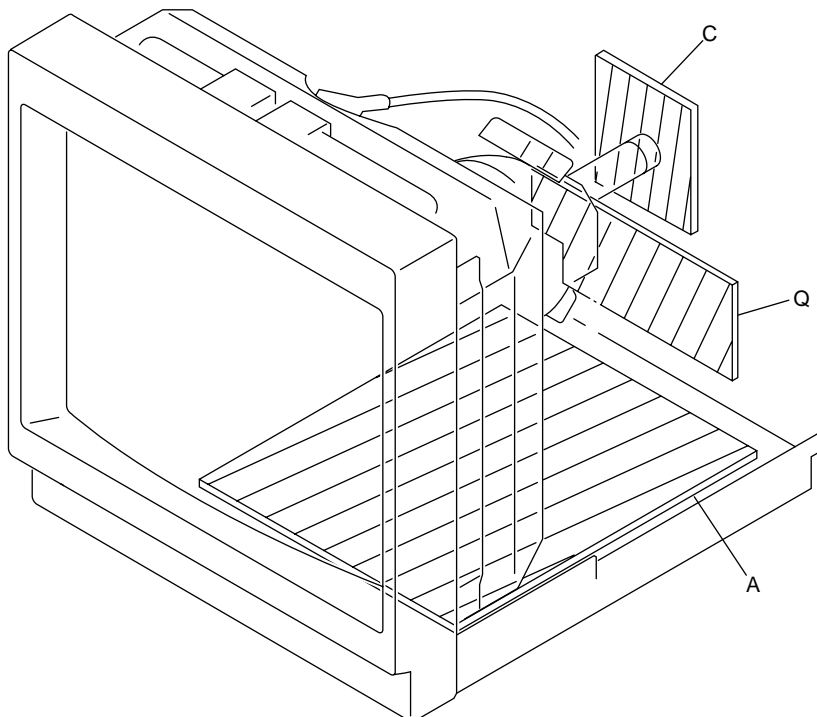
# Section 1

## Service Overview

### 1-1. Appearance Figure (14 inch)

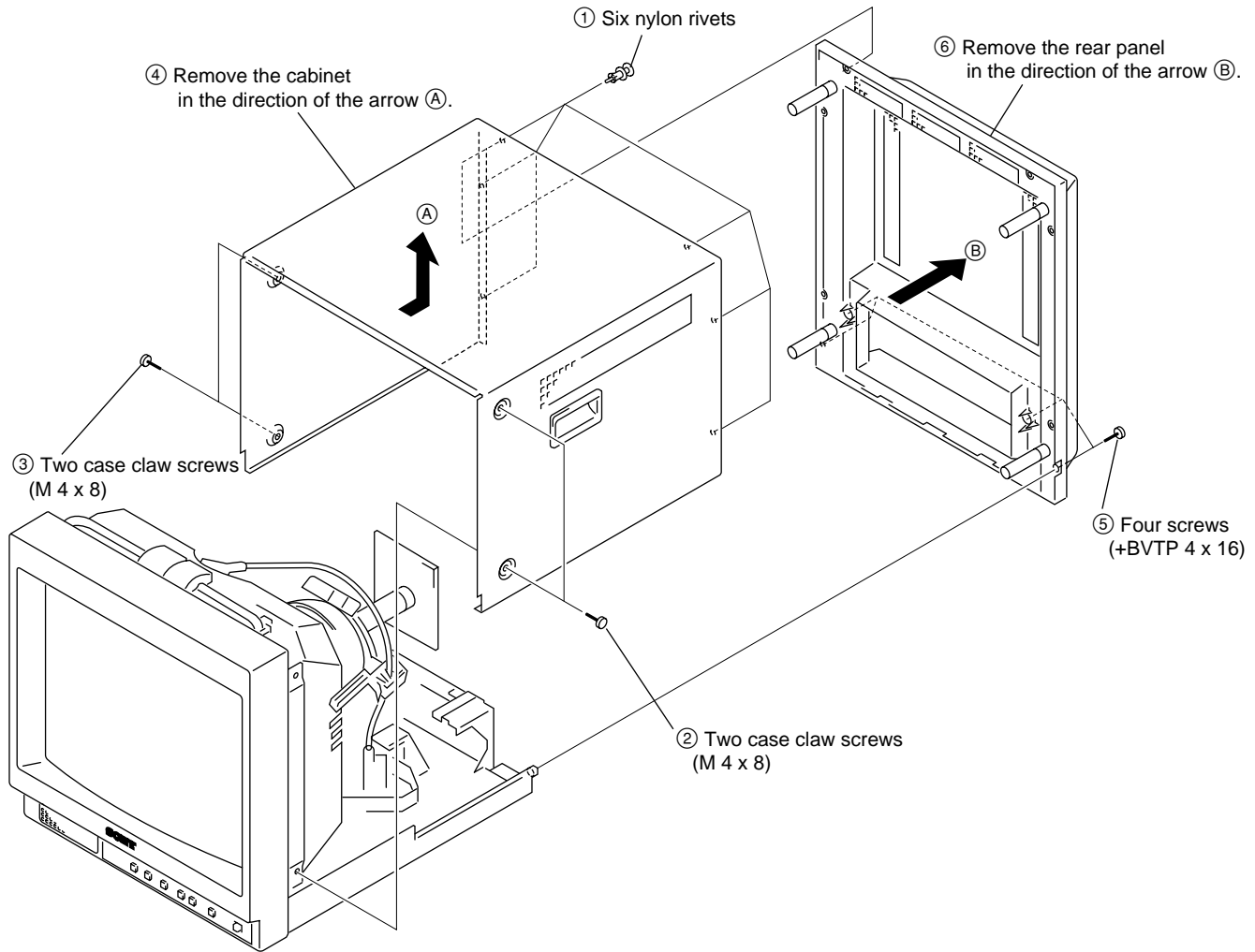


### 1-2. Board Locations (14 inch)



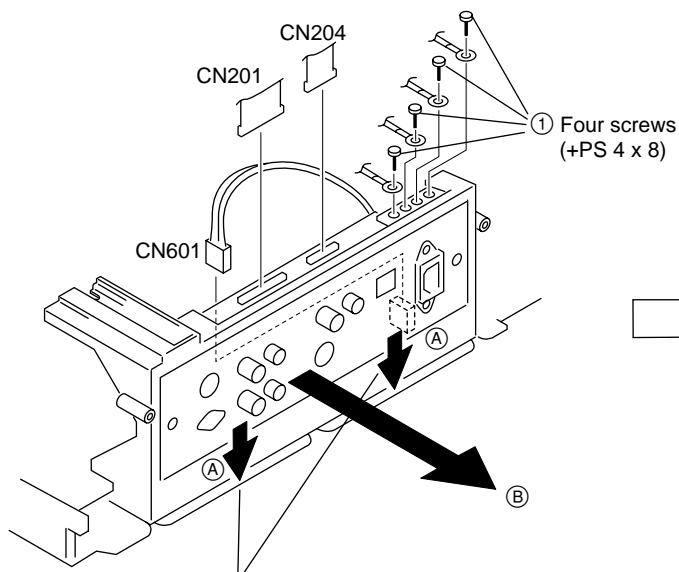
### 1-3. Disassembly (14 inch)

#### 1-3-1. Cabinet and Rear Panel (14 inch)

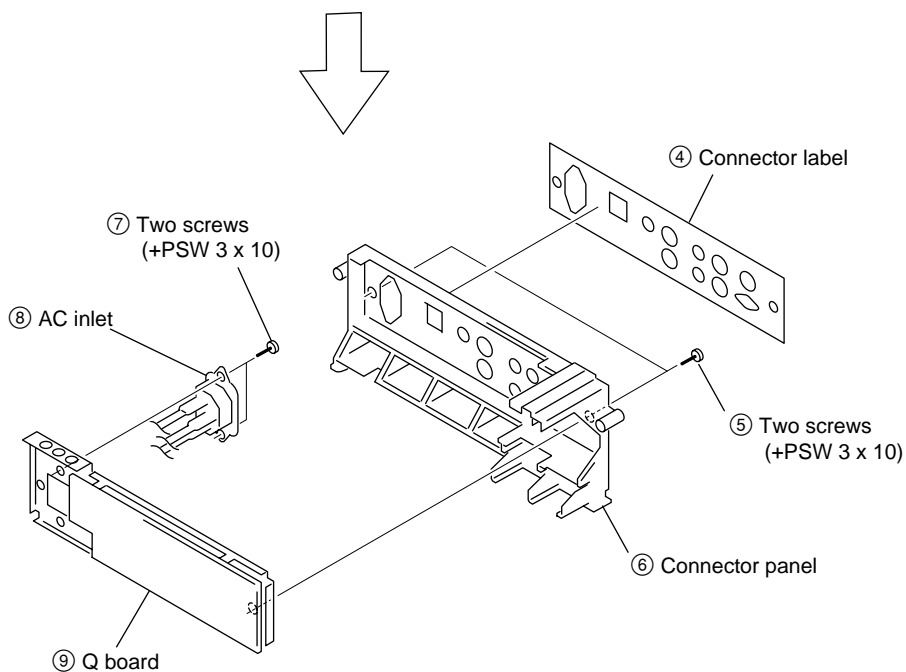
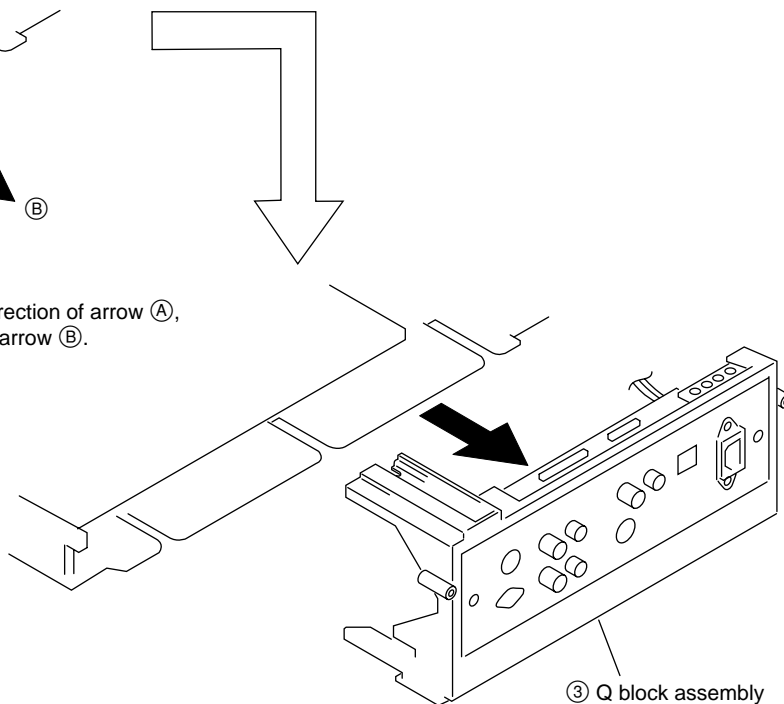


### 1-3-2. Q Block Assembly and Q Board (14 inch)

- Remove the cabinet and rear panel. (Refer to 1-3-1.)

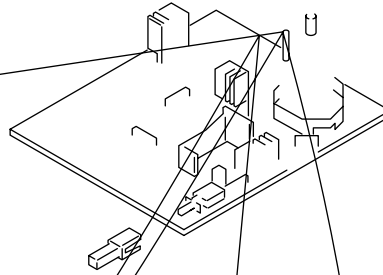


Push the two areas in the bottom of beznet in the direction of arrow **A**, and pull the Q block assembly in the direction of the arrow **B**.



**1-3-3. A Board Assembly (14 inch)**

- Remove the cabinet and rear panel. (Refer to 1-3-1.)



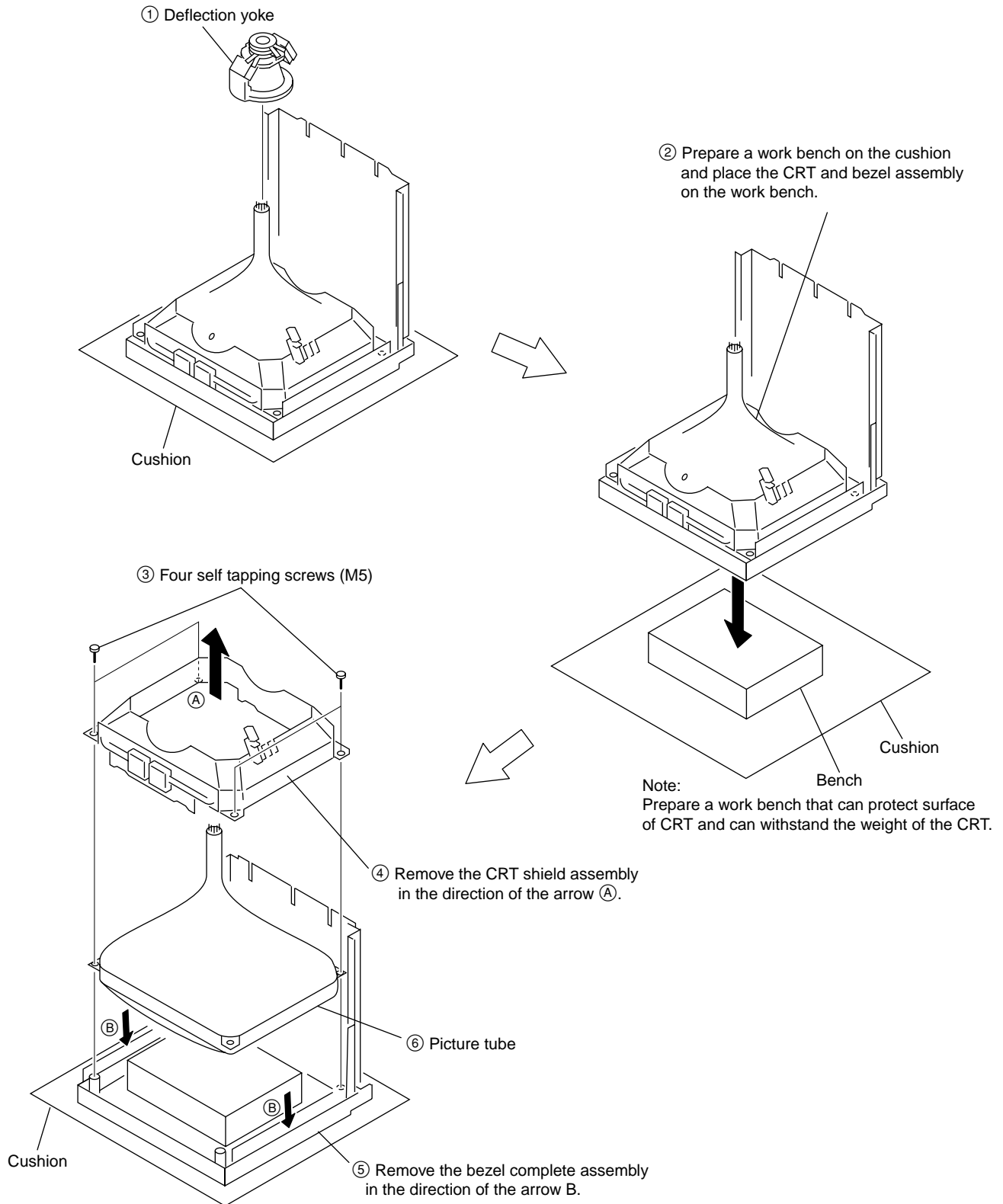
**1-3-4. C Board (14 inch)**

- Remove the cabinet and rear panel. (Refer to 1-3-1.)



### 1-3-5. Picture Tube and Bezel Complete Assembly (14 inch)

- Remove the cabinet and rear panel. (Refer to 1-3-1.)
- Remove the Q block assembly. (Refer to 1-3-2.)
- Remove the A board. (Refer to 1-3-3.)
- Remove the C board. (Refer to 1-3-4.)

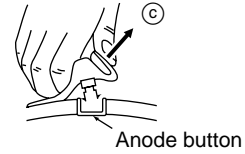
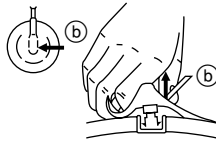
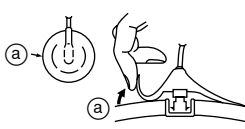


## 1-3-6. Anode Cap (14 inch)

### Note

Short-circuit the anode of the picture tube and the anode cap to the metal chassis, picture tube shield or carbon painted on the picture tube, after removing the anode.

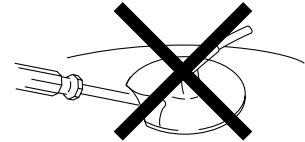
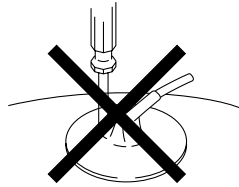
### • Removal Procedure



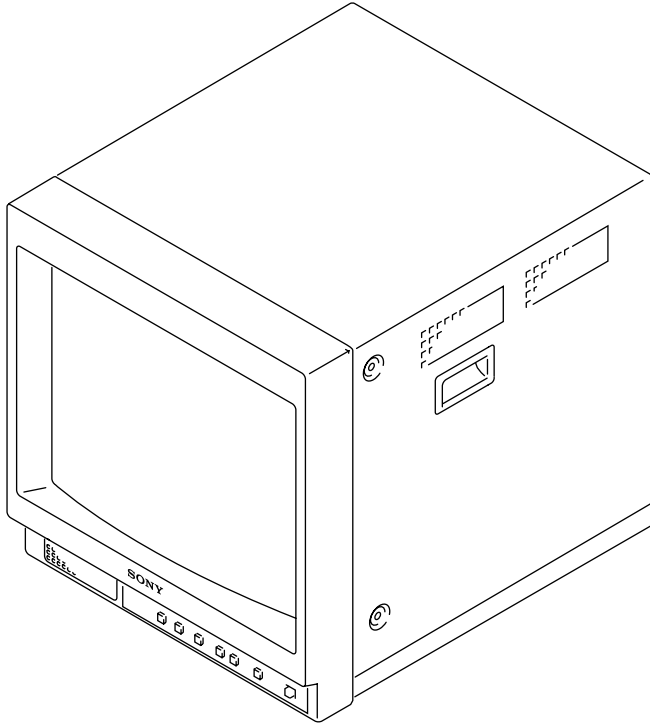
- (1) Turn up one side of the rubber cap in the direction indicated by arrow (a).
- (2) Using a thumb, pull up the rubber cap firmly in the direction indicated by arrow (b).
- (3) When one side of the rubber cap is separated from the anode button, the anode-cap can be removed by turning up the rubber cap and pulling up it in the direction of the arrow (c).

### • Handling Precautions

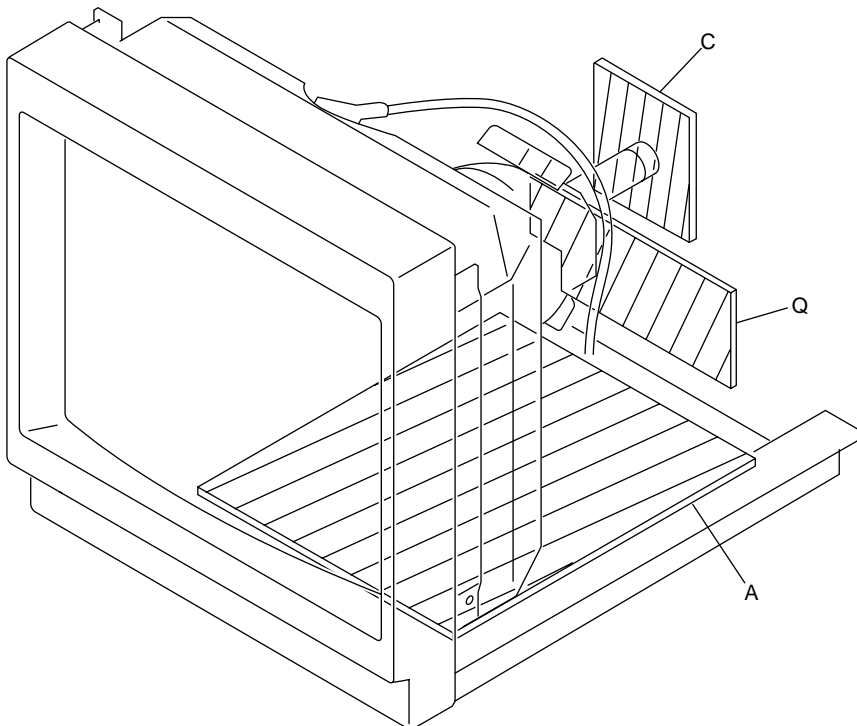
- (1) Do not scratch the surface of anode cap with a sharp object.
- (2) Do not press the rubber so hard that it damages the inside of anode caps. A shatter-hook terminal is built into the rubber.
- (3) Do not turn the foot of the rubber over. The shatter-hook terminal will stick out or damage the rubber.



**1-4. Appearance Figure (20 inch)**

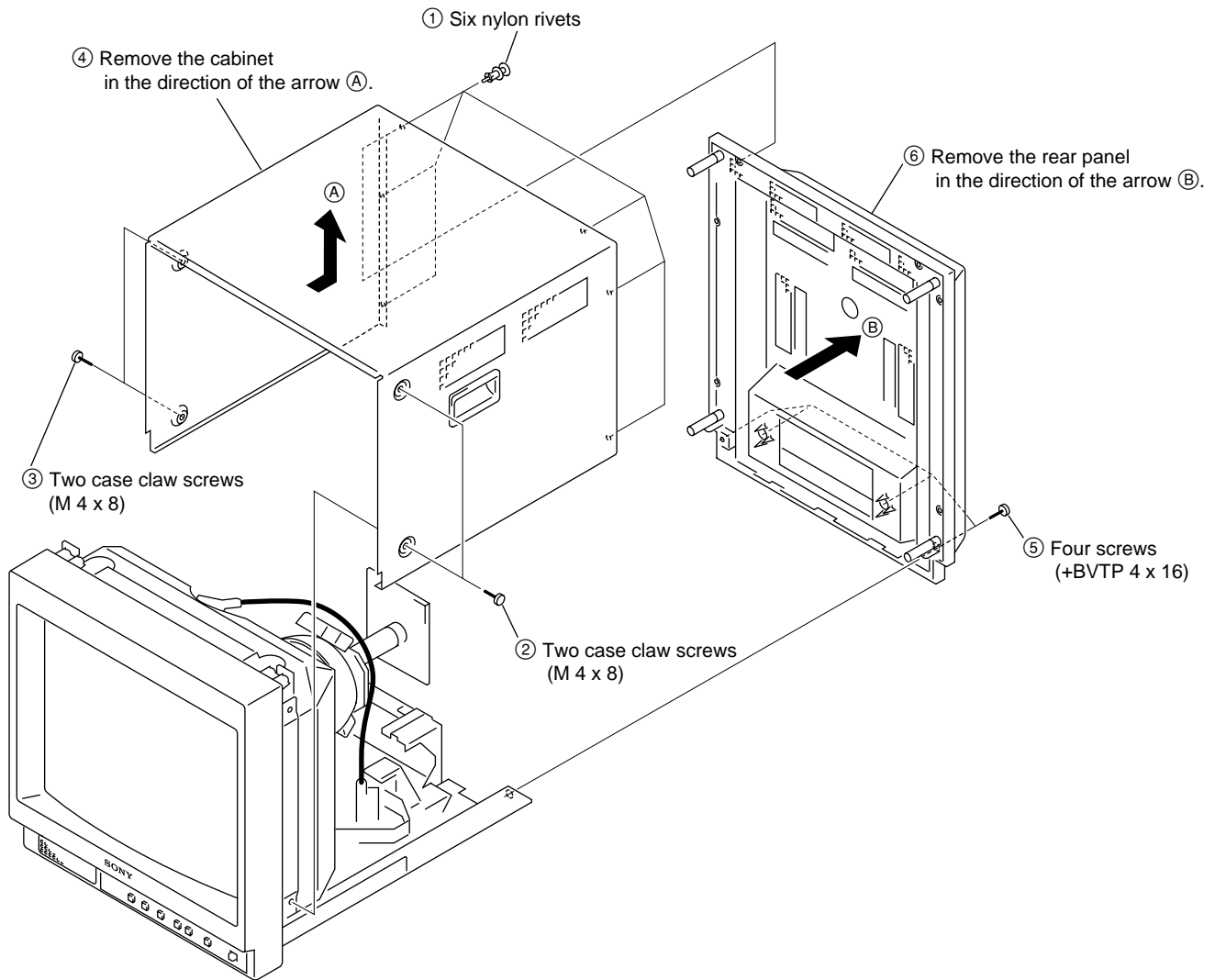


**1-5. Board Locations (20 inch)**



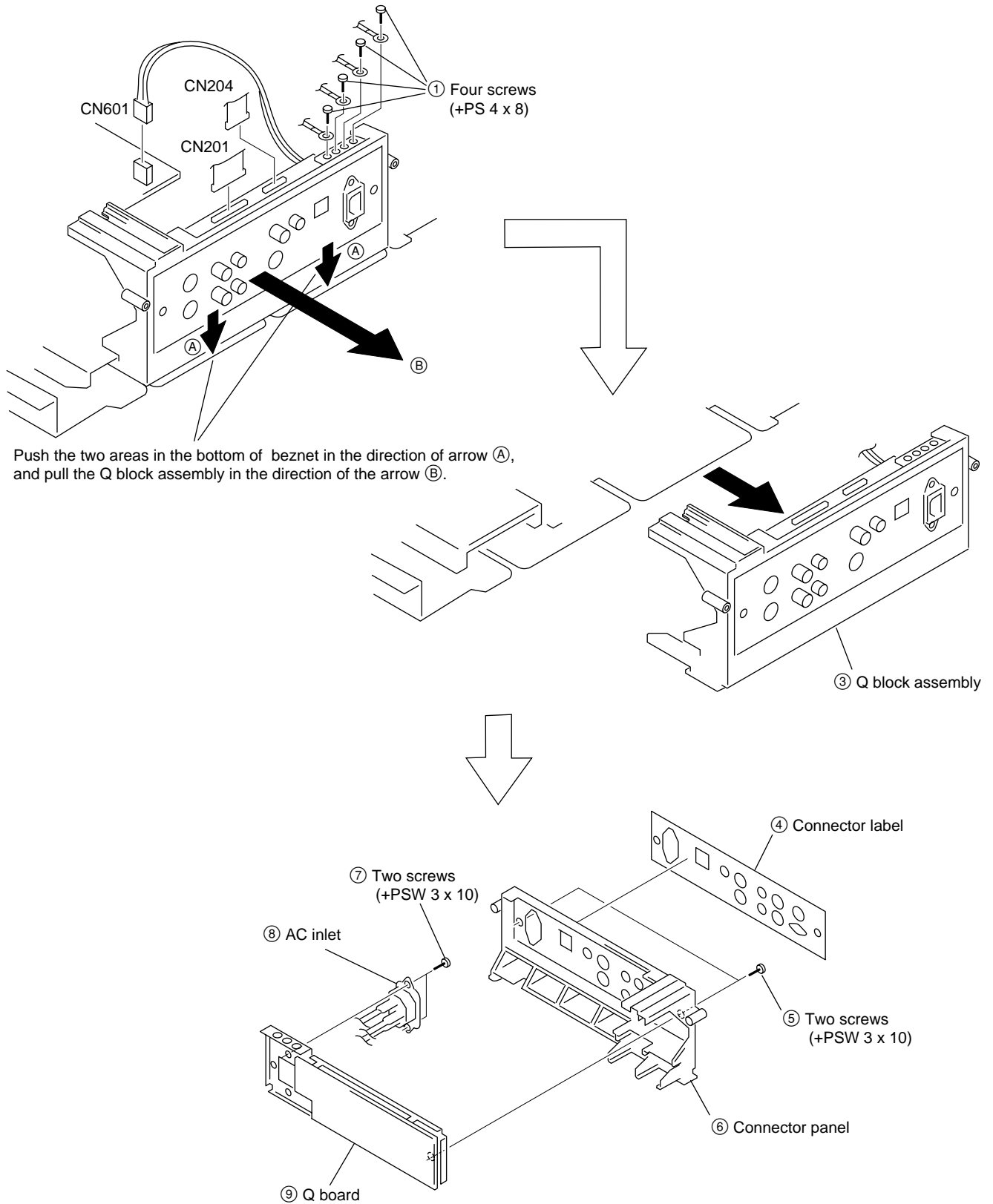
## 1-6. Disassembly (20 inch)

### 1-6-1. Cabinet and Rear Panel (20 inch)



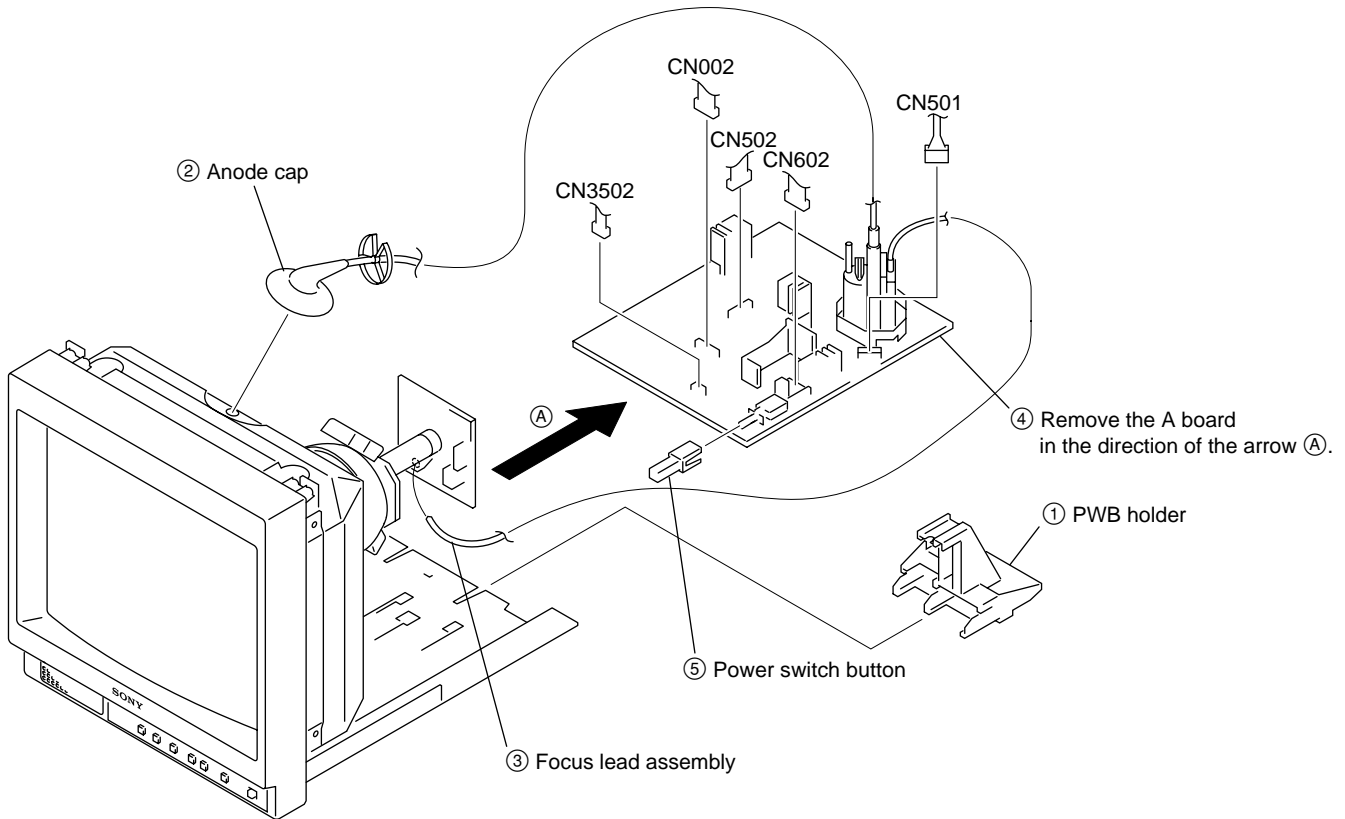
## 1-6-2. Q Block Assembly and Q Board (20 inch)

- Remove the cabinet and rear panel. (Refer to 1-6-1.)



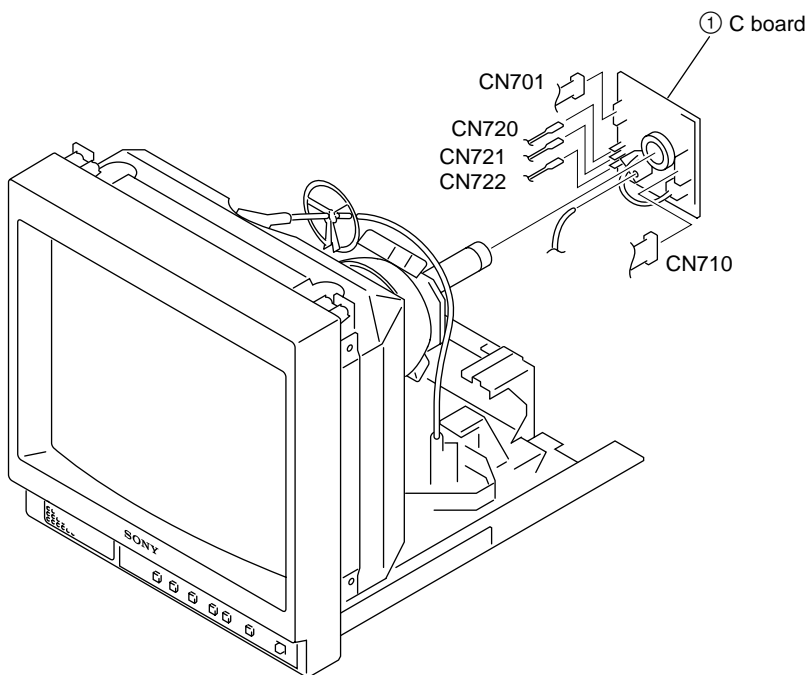
### 1-6-3. A Board (20 inch)

- Remove the cabinet and rear panel. (Refer to 1-6-1.)



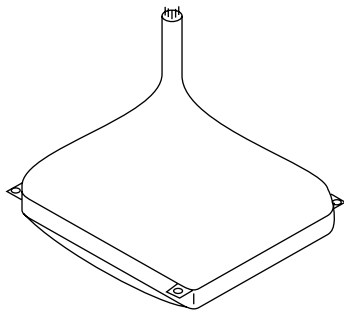
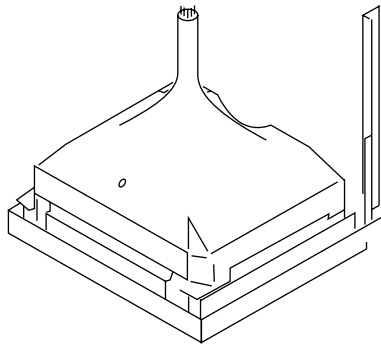
### 1-6-4. C Board (20 inch)

- Remove the cabinet and rear panel. (Refer to 1-6-1.)



### 1-6-5. Picture Tube and Bezel Complete Assembly (20 inch)

- Remove the cabinet and rear panel. (Refer to 1-6-1.)
- Remove the Q block assembly. (Refer to 1-6-2.)
- Remove the A board. (Refer to 1-6-3.)
- Remove the C board. (Refer to 1-6-4.)

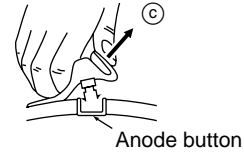
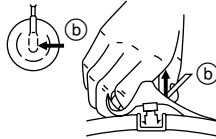
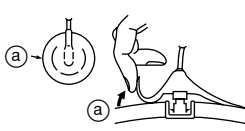


## 1-6-6. Anode Cap (20 inch)

### Note

Short-circuit the anode of the picture tube and the anode cap to the metal chassis, picture tube shield or carbon painted on the picture tube, after removing the anode.

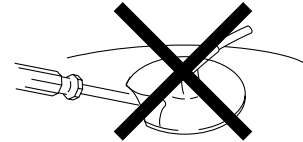
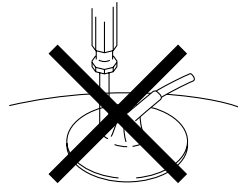
### • Removal Procedure



- (1) Turn up one side of the rubber cap in the direction indicated by arrow (a).
- (2) Using a thumb, pull up the rubber cap firmly in the direction indicated by arrow (b).
- (3) When one side of the rubber cap is separated from the anode button, the anode-cap can be removed by turning up the rubber cap and pulling up it in the direction of the arrow (c).

### • Handling Precautions

- (1) Do not scratch the surface of anode cap with a sharp object.
- (2) Do not press the rubber so hard that it damages the inside of anode caps. A shatter-hook terminal is built into the rubber.
- (3) Do not turn the foot of the rubber over. The shatter-hook terminal will stick out or damage the rubber.



## 1-7. Warning on Power Connection

Use a proper power cord for your local power supply.

	United State, Canada	Europe	Japan
Plug type	LP-30B	— <sup>a)</sup>	YP332
Female end	LS-13	VM0303B	YC-35
Cord type	SB-SVT	H05VV-F	VCTF
Minimum cord set rating	10A/125V	10A/250V	7A/125V
Safety approval	UL/CSA	SEMKO, NEMKO, DEMKO, SEV, KEMA, EI (FIMKO), CEBEC, VDE, BS	DENAN-HO

a) Note : Use an appropriate rating plug which is applied to local regulations.



## Section 2

# Set-up Adjustment

### 2-1. Equipment Required

- Oscilloscope  
Tektronix 2465 or equivalent (with bandwidth of 350 MHz)
- VG (programmable video signal generator)  
VG-854 or equivalent
- Digital VOM  
Advantest TR6845 or equivalent
- Slide induction transformer
- DC power supply

#### Note

Start the following adjustments 5 minutes after the main power is turned on.

\* In this chapter,  indicates the control items in the service mode.

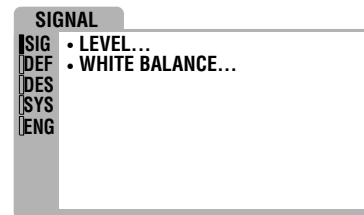
Example :

### 2-2. Preparations (1)

#### Service Mode

This set is provided with a switch for service on the front panel that can be used to make various adjustments. The operation method of this switch is explained in detail below.

1. Entering the service mode  
Simultaneously press the [ENTER] key and the [MENU] key shown on the display of the menu 3 seconds or more.



2. Operating the Service Mode  
Select the desired service item with the [ $\uparrow$ ], [ $\downarrow$ ] key and press the [ENTER] key to enter the adjustment mode.  
Press the [+] key to increase the adjustment value.  
Press the [-] key to decrease the adjustment value.  
Press the [ENTER] key to save the adjustment value.  
Press the [MENU] key to cancel the entry.
3. Finishing the service mode  
Simultaneously press the [ENTER] key and the [MENU] key shown on the display of the menu 3 seconds or more.

#### 4. Executing FACTORY LOAD

If the adjustment data is damaged or lost by some reasons, you can restore the default factory adjustment data by executing FACTORY LOAD as described below.

Select the following sub menus from the Service Menu in the order of : [SYSTEM] → [FACTORY...] → [LOAD...] to read the default factory data. If the default factory data is damaged or the ROM is replaced without executing FACTORY SAVE as described in the following paragraph, you cannot execute FACTORY LOAD.

#### 5. Executing FACTORY SAVE

This operation is to write the FACTORY LOAD data into the factory data area in the memory.

Select the following sub menus from the Service Menu in the order of : [SYSTEM] → [MAINTENANCE ID] and type 111. Then select the following sub menus from the Service Menu in the order of : [ENGINEER] → [FACTORY SAVE] to write the factory data in the memory. FACTORY SAVE is protected from miss operation so that FACTORY SAVE cannot be executed unless MAINTENANCE ID is set.

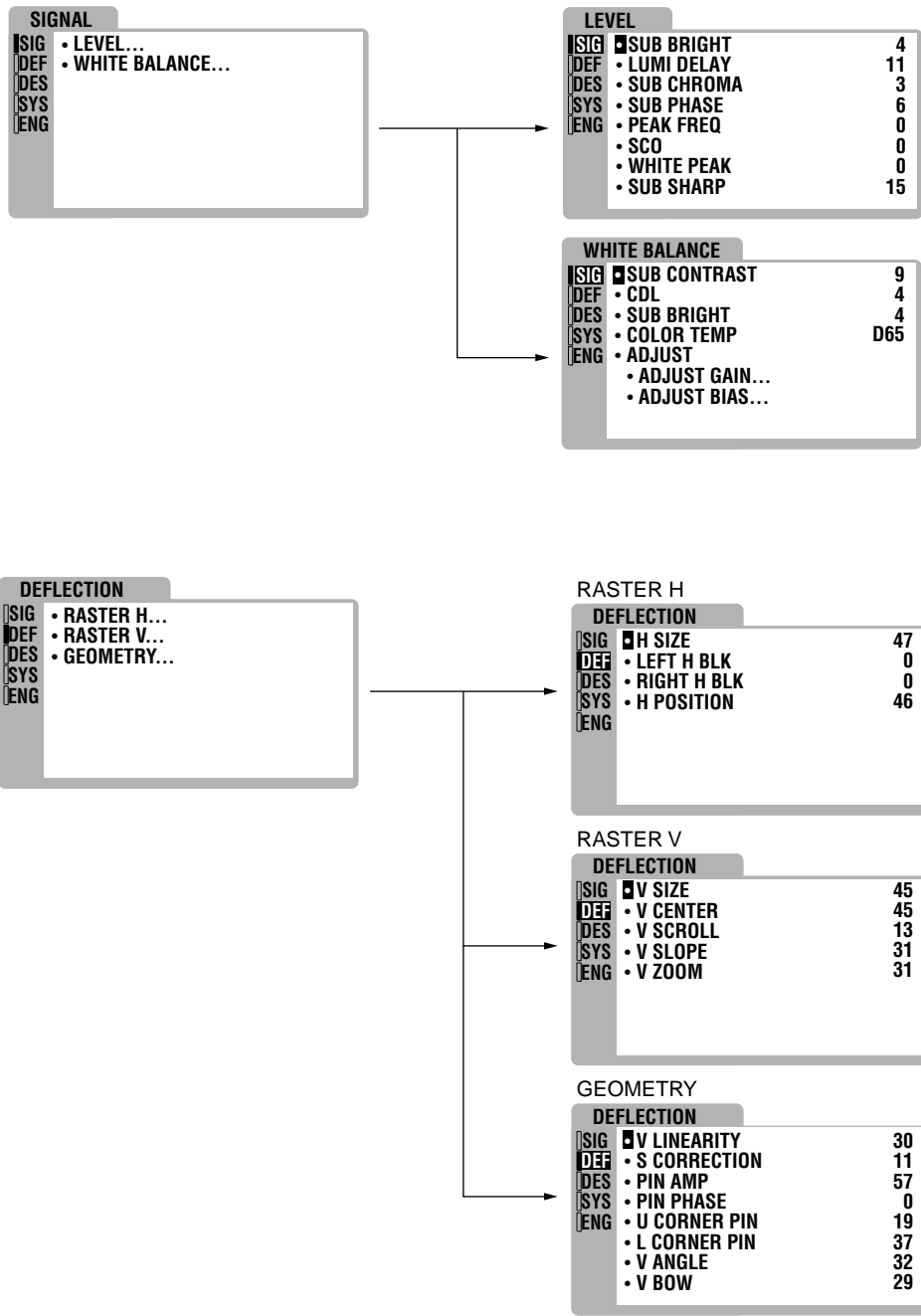
#### FACTORY SET

If the following circuit board is replaced or the following IC on the respective board is replaced, perform the following settings.

A board, IC001, IC003

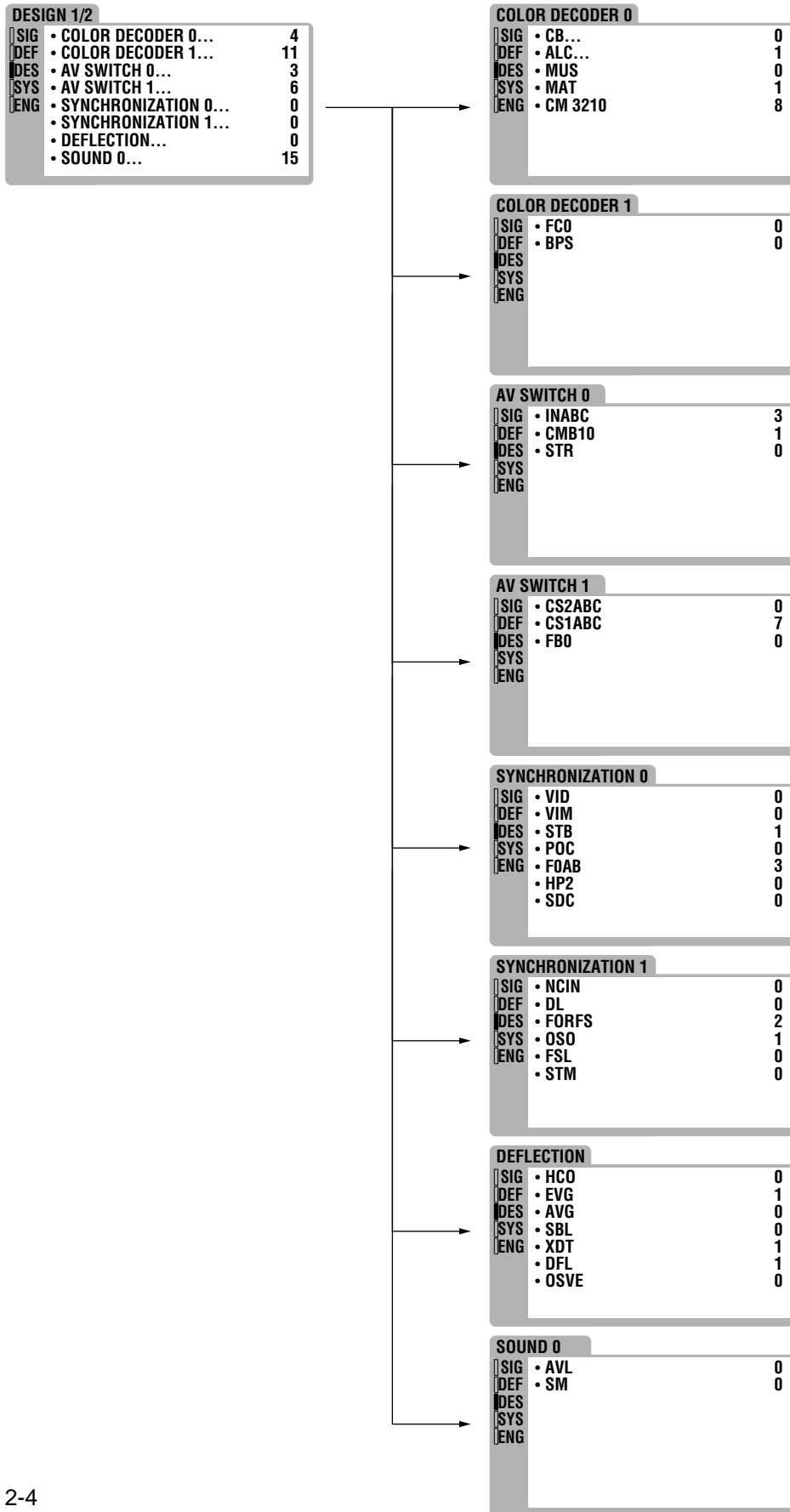
1. Select the following sub menus from the Service Menu in the order of : [SYSTEM]-[MAINTENANCE ID] and type 111.
2. If the IC003 is replaced, select the following sub menus from the Service Menu : [ENGINEER]-[CLEAR NVM ON A] and write data.
3. Select the following sub menus from the Service Menu in the order of : [SYSTEM]-[MODEL INCH], [SYSTEM]-[MODEL TYPE] and write the model data of each model in the [MODEL TYPE] referring to table 2-2.
4. Perform all adjustment items of the [SIGNAL] menu and of the [DEFLECTION] menu.
5. Upon completion of adjustment, select the menus [ENGINEER]-[FACTORY SAVE] to save the adjustment data.

# Service Mode screen display



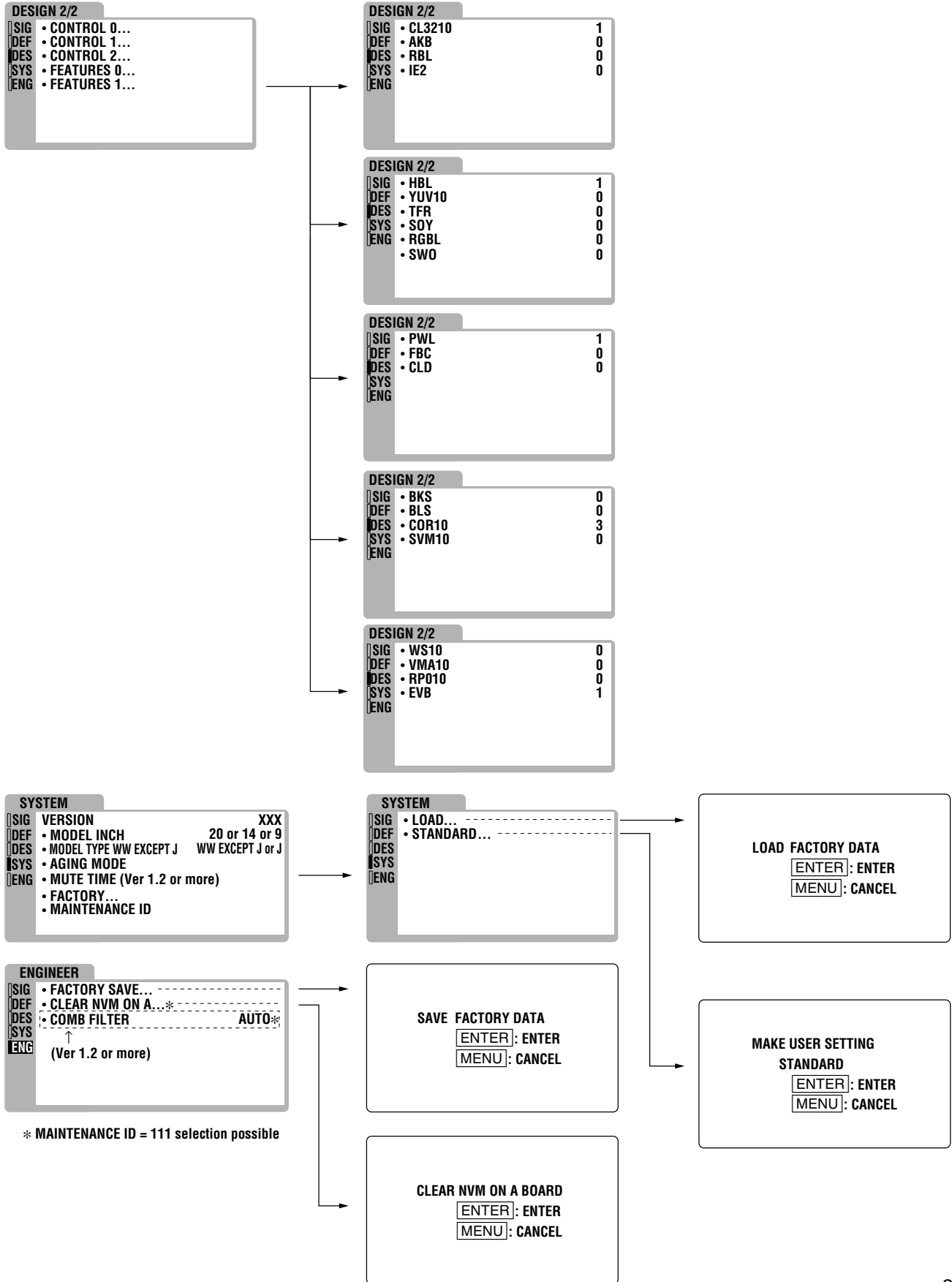
**Note**

When changing DESIGN ITEMS 1/2 and 2/2, set the MAINTENANCE ID to 111 in SYSTEM.



**Note**

When changing DESIGN ITEMS 1/2 and 2/2, set the MAINTENANCE ID to 111 in SYSTEM.



## 2-3. Preparation (2). Initialization

\* Supply composite video signal as shown in Table 2-1.

Signal		Details of signal	Standard level P-W
Composite video	358NT	100 % white	0.714 V
		75 % white	0.536 V
	PAL	100 % white	0.7 V
		75 % white	0.525 V
Voice/sound		-5 dBu	0.436Vrms

Table 2-1

## 2-4. Writing Model Data

- Select the following sub menus from the Service Menu in the order of : [SYSTEM] → [MODEL INCH], [SYSTEM] → [MODEL TYPE] and write the model data of each model in the [MODEL TYPE] referring to table 2-2.

Model name	Model type	Model inch
PVM-14L1	J	14
PVM-14L1	WW EXCEPT J	14
SSM-14L1	J	14
SSM-14L1	WW EXCEPT J	14
PVM-20L1	J	20
PVM-20L1	WW EXCEPT J	20
SSM-20L1	J	20
SSM-20L1	WW EXCEPT J	20

Table. 2-2

- Select the following sub menus from the Service Menu in the order of : [SIGNAL] → [WHITE BALANCE] and type the following data in [COLOR TEMP].  
 WW EXCEPT J    D65  
 J                    D93

\* Standard inspection state

Unless otherwise specified in this manual, make adjustment under the following conditions.

VOLUME            0  
 CONTRAST        80  
 BRIGHTNESS     0  
 CHROMA           50  
 PHASE            0  
 ASPECT RATIO   4 : 3

## 2-5. Picture Output

### 1. AC input voltage setting

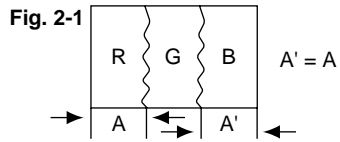
- Input VIDEO signals and AUDIO signals to respective terminals on the connector panel.
- Set the slide induction transformer AC voltage as shown in Table 2-3.

Model name	Voltage
PVM-14L1	AC 100 V to 240 V ±10 %
PVM-20L1	
SSM-14L1	
SSM-20L1	

Table. 2-3

## 2-6. Landing Adjustment (1)

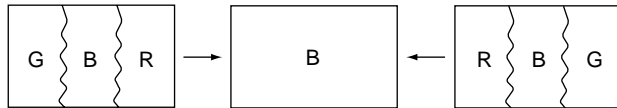
- CONTRAST... MAX  
BRIGHT... Conspicuous position
- Roughly adjust the white balance, G2, and convergence.
- Switch the video signal generator output signal to green only.
- Move back the DY backward (in the direction toward neck).
- Adjust the purity knob so that the green will come to the center of the screen. Make R and B almost identical. (Fig. 2-1)
- Switch to B only, R only, and G only and verify each.
- Bring the deflection yoke gradually forward and adjust the deflection yoke so that R and B on both sides of the screen will be green. (Fig.2-2 → Fig. 2-3)
- If the deflection yoke comes forward too much, the pattern shown in Fig.2-4 will appear. If so, move the deflection yoke backward. (Fig.2-4 → Fig.2-3)
- Switch the signal generator output signal to the BLUE only color and confirm the screen. (Fig. 2-6)
- Switch the signal generator output signal to the RED only color and confirm the screen. (Fig. 2-9)
- When two colors are mixed, set the mixed color as the standard, and repeat operations 6 and 7.
- Switch to an all-white signal and check the uniformity.
- When the deflection yoke position is determined, fasten it with the DY screw.



**Fig. 2-2**

**Fig. 2-3**

**Fig. 2-4**



**Fig. 2-5**

**Fig. 2-6**

**Fig. 2-7**

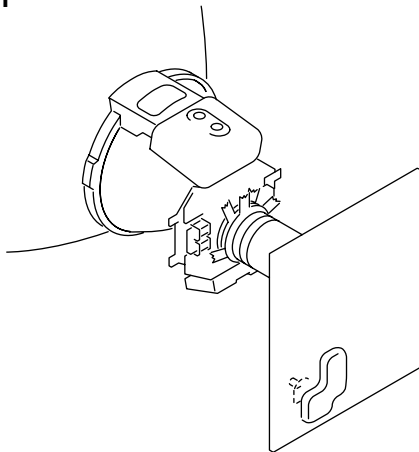


**Fig. 2-8**

**Fig. 2-9**

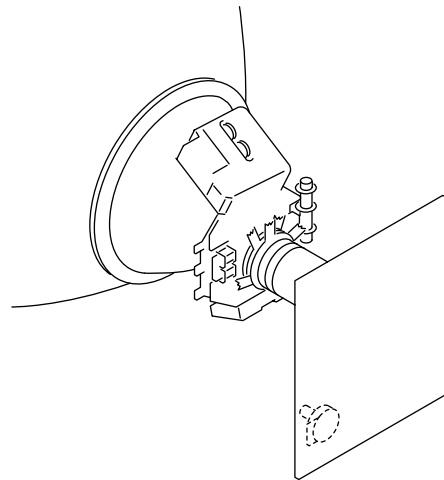
**Fig. 2-10**

**14 inch**

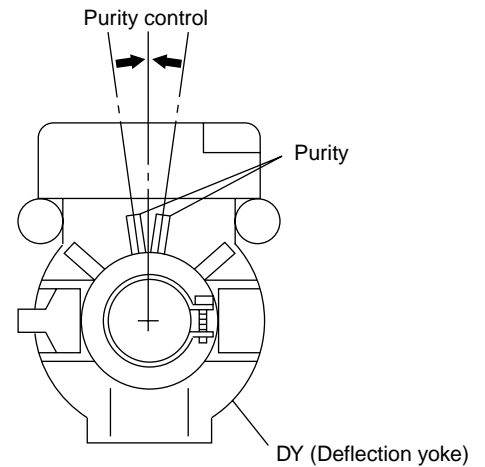


**Fig. 2-11**

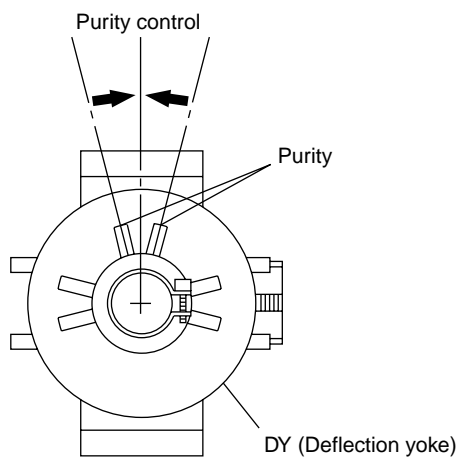
**20 inch**



**Fig. 2-11**



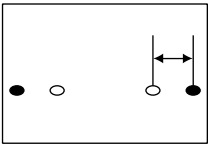
**Fig. 2-12**



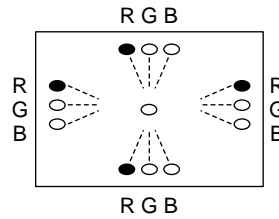
**Fig. 2-12**

## 2-7. Deflection Yoke Neck Rotation Adjustment

1. If there are mis-convergence on both sides of X and Y axes, move the DY neck in the direction of the arrow so that the degree of mis-convergence satisfies the allowable range of specification over the entire screen.



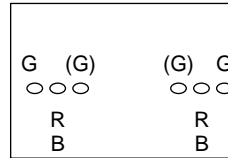
3. The following patterns cannot be corrected by turning the neck. (Figs.2-19, 2-20, and 2-21)



\* Gun rotation

The X-axis and Y-axis beams are distorted on both sides.

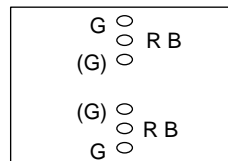
Fig. 2-19



\* HCR Large (small)

The horizontal portion of the G raster is wider (narrower) than that of the RB raster on both sides of the screen.

Fig. 2-20



\* VCR Large (small)

The vertical portion of the G raster is wider (narrower) than that of the RB raster on both sides of the screen.

Fig. 2-21

2. Insert the wedge between the deflection yoke and CRT funnel to lock the deflection yoke. (Fig.2-18)

Inch 20

Inch 14

Fig. 2-18



## 2-8. Convergence Adjustment (1)

1. Input a dot pattern signal.  
CONTRAST... Conspicuous position  
BRIGHT... 0
2. Align the horizontal R, G, and B dots at the center of the screen by adjusting RV760 on the C board. (H-STAT adjustment)  
\* When H-CENT is changed after H-STAT adjustment, readjust H-STAT. (H-STAT will change by means of H-CENT VR.)
3. Using V STAT Mg, align the top and bottom of R, G and B on center of the screen.  
\* After V-STAT adjustment, paint-lock the knob.

### V-STAT Mg knob

While keeping the angles A and B equal ( $I = I'$ ), align the vertical convergence.

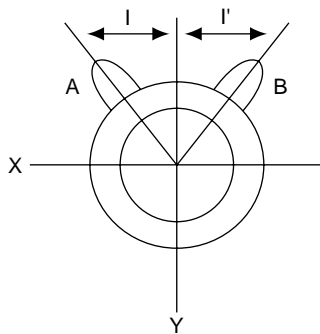


Fig. 2-22 Good example

If the A and B knobs are not symmetrical ( $I \neq I'$ ), the focus may deteriorate, beam striking or other adverse effects may occur.

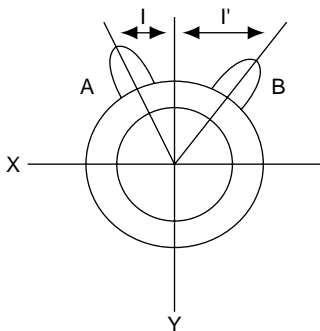


Fig. 2-23 Bad example

4. For HMC, use the six poles Mg to adjust the R and B dots so that they will be symmetrical horizontally with respect to the G dot. (Fig. 2-24)

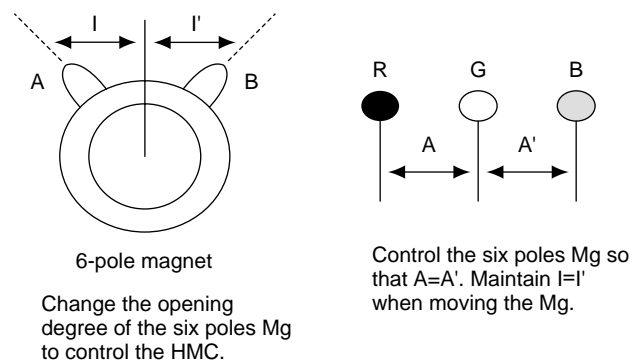


Fig. 2-24

5. For VMC, use the six poles Mg to adjust the R and B dots so that they will be symmetrical vertically with respect to the G dot. (Fig. 2-25)

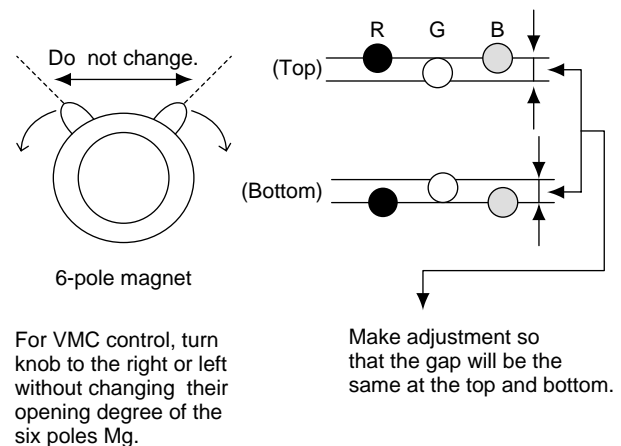
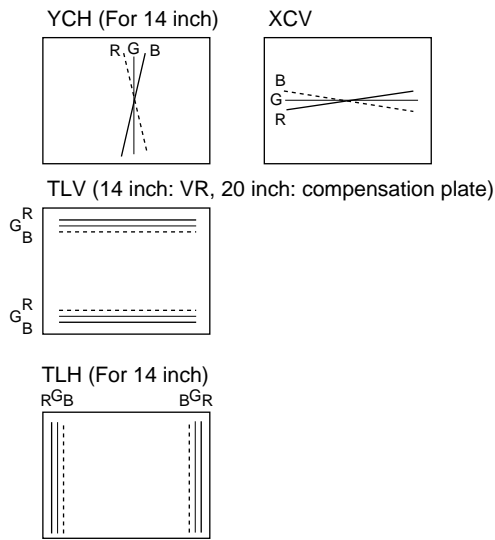


Fig. 2-25

6. Repeat the adjustment steps from 2 through 5.  
\* The above adjustment may affect the landing, so after adjustment, check the landing again.
7. Paint-lock the knobs after adjustment.

## 2-9. Convergence Adjustment (2)



**Fig. 2-26 Convergence compensation VR, coil, and compensator**

### Note

When adjustment is insufficient, use permalloy.  
After the adjustment, use paint lock.

1. Input a crosshatch signal.
2. Adjust TLV, YCH VR of DY, XCV coil to minimize mis-convergence.

When the right convergence is not gotten even after adjustment described above, use the permalloy sheet to adjust and fix the permalloy with RTV.

## 2-10. Landing Adjustment (2)

1. Attach the wobbling coil of allowance checker to neck ass'y.
2. Input green flat field signal to LINE A.
3. Turn on the main power of the monitor, and degauss CRT screen with a degausser.
4. Receive white flat field signal, and set brightness to 0, contrast to 80.
5. Make sure that there is no flicker when changing input signals among G, B, and R signals.
6. Select G signal and adjust the purity.
7. In case that flicker occurs in a flat field signal, adjust with Mg.
8. When attaching a Mg, it should be on a centre line between CRT and the mislanding area.
9. Rotate the Mg to eliminate the mislanding.
10. Confirm that there is no mislanding on the other colours.
11. Remove the air-core coil. Check uniformity in white flat field signal.
12. Lock purity with white paint.
13. Confirmation after Mg is attached.
  - a. Deflection distortion
  - b. Landing after degaussing CRT
  - c. Convergence
  - d. Attach Mg to DY with bond.

## 2-11. Focus Adjustment

1. Input 480/60I cross hatch-signal.
2. Adjust the focus so that the center of screen is the best.
  - 14 inch RV750 (C board)
  - 20 inch VR on the upper side FBT
3. Input 480/60I entire white signal and ensure the uniformity of entire screen.  
Specification : 4 JND or less

## 2-12. White Balance Adjustment

### 2-12-1. Sub Bright Adjustment

1. Receive Gray Scale pattern signal.  
\* Gray scale : 0, 5, 10, 15 IRE (4 Steps)
2. Set the following items at PICT/SOUND CTRL.  
CONTRAST  $\Rightarrow$  MIN  
BRIGHTNESS  $\Rightarrow$  0 (CENTER)
3. Adjust SUB BRIGHT using the resistor of [SUB BRIGHT] at SERVICE MODE [SIGNAL] - [WHITE BALANCE].  
Check 0 and 5 IRE section of Gray Scale is completely cut off and 10 IRE section of it lights faintly. (If not readjust it.)

### 2-12-2. White Balance Adjustment [D65]

1. Set the COLOR TEMP to D65.
2. Receive window pattern signal.
3. Adjust the D65 white balance within standard (description below) using the resistor [R DRIVE] and [B DRIVE] at SERVICE MODE [SIGNAL]-[WHITE BALANCE]-[AJUST GAIN].

	X	Y
D65	313	329

Switch the item R  $\Rightarrow$  G  $\Rightarrow$  B with [ENTER], and change the data with [+]/[-].

4. Change over to all white signal and lower signal level , set brightness to 3 (+1/-0) cd/m<sup>2</sup>.
5. Adjust the D65 white balance within standard (description below) using the resistor [OFFSET R] and [OFFSET G] at SERVICE MODE [SIGNAL]-[WHITE BALANCE]-[AJUST BIAS].

	X	Y
D65	313	329

Switch the item R  $\Rightarrow$  G with [ENTER], and change the data with [+]/[-].

6. Repeat the manual 2 to 5 until be able to adjust GAIN side and BIAS side to the same value.

### 2-12-3. White Balance Adjustment [D93]

1. Receive window pattern signal.
2. Set the COLOR TEMP to D93.
3. Adjust the D93 white balance within standard (description below) using the resistor [R DRIVE] and [B DRIVE] at SERVICE MODE [SIGNAL]-[WHITE BALANCE]-[AJUST GAIN] .

	X	Y
D93	283	298

Switch the item R  $\Rightarrow$  G  $\Rightarrow$  B with [ENTER], and change the data with [+]/[-].

4. Change over to all white signal and lower signal level, set brightness to 3cd/m<sup>2</sup>.
5. Adjust the D65 white balance within standard (description below) using the resistor [OFFSET R] and [OFFSET G] at SERVICE MODE [SIGNAL]-[WHITE BALANCE]-[AJUST BIAS] .

	X	Y
D93	283	298

Switch the item R  $\Rightarrow$  G with [ENTER], and change the data with [+]/[-].

6. Repeat the manual 2 to 5 until be able to adjust GAIN side and BIAS side to the same value.

## 2-13. Deflection Adjustment

### Note

V.CENT and V.SIZE should be checked after V.LIN adjustment.

### 2-13-1. 525 Vertical Deflection Adjustment

1. Receive 525 SPCB signal.
2. Set the following settings.  
CONTRAST  $\Rightarrow$  80  
BRIGHTNESS  $\Rightarrow$  0
3. Enter service mode.
4. Adjust V.SIZE roughly to 12 blocks with [V SIZE] in [DEFLECTION]-[RASTER V] at SERVICE MENU.  
And adjust V.CENT with [V CENTER].

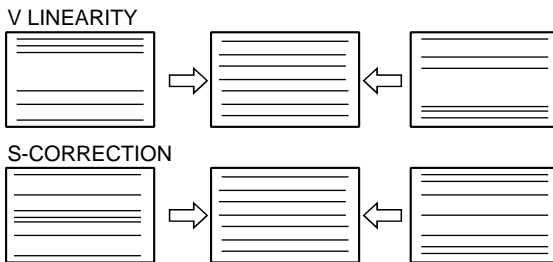
### Note

Confirm these items and data as follow.  
[DEFLECTION]-[RASTER V] at SERVICE MENU

(14 inch) (20 inch)

V. SCROLL : 13      13  
V. SLOPE : 33      33  
V. ZOOM : 45      50

5. Receive 525 Cross-Hatch signal.
6. Confirm the following items.
  - Confirm DY tilt
  - Confirm upper/lower V PIN
7. Adjust the Horizontal trapezoid with [TLY] at DY.
8. Adjust V.LIN with [V LINEARITY], [S-CORRECTION] in [DEFLECTION]-[GEOMETRY] at SERVICE MENU.



9. Adjust V.SIZE with [V SIZE] in [DEFLECTION]-[GEOMETRY] at SERVICE MENU.

NORMAL V.SIZE standard

		525 SPCB	625 SPCB
4 : 3		12.8 $\pm$ 0.2 blocks	12.8 $\pm$ 0.3 blocks
16 : 9	14 inch	157 $\pm$ 2 mm	157 $\pm$ 2 mm
	20 inch	221 $\pm$ 3 mm	221 $\pm$ 3 mm

10. Repeat the manual 8 and 9 until be satisfy the both specifications.
11. Set to 16:9 mode.
12. Adjust 16:9 V.SIZE with [V SIZE] in [DEFLECTION]-[GEOMETRY] at SERVICE MENU.

Confirm these items and data as follows.

(14 inch) (20 inch)

V. SCROLL : 13      13  
V. SLOPE : 25      25  
V. ZOOM : 45      50

### Note

V size in 16:9 mode should be measured without flag signal in periphery of the picture.

13. Back to 4:3 mode.

## 2-13-2. 625 Vertical Deflection Adjustment

1. Receive 625 SPCB signal.
2. Set the following settings.  
CONTRAST  $\Rightarrow$  80  
BRIGHTNESS  $\Rightarrow$  0
3. Enter service mode.
4. Adjust V.SIZE roughly to 12 blocks with [V SIZE] in [DEFLECTION]-[RASTER V] at SERVICE MENU.  
And adjust V.CENT with [V CENTER].

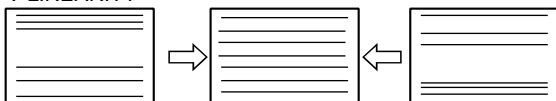
### Note

Confirm these items and data as follow.

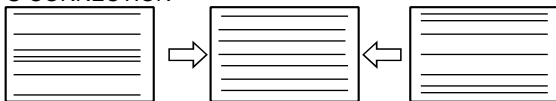
	(14 inch)	(20 inch)
V. SCROLL :	13	13
V. SLOPE :	33	33
V. ZOOM :	45	50

5. Receive 625 Cross-Hatch signal.
6. Adjust V.LIN with [V LINEARITY], [S-CORRECTION] in [DEFLECTION]-[GEOMETRY] at SERVICE MENU.

### V LINEARITY



### S-CORRECTION



7. Adjust V.SIZE with [V SIZE] in [DEFLECTION]-[GEOMETRY] at SERVICE MENU.

NORMAL V.SIZE standard

		525 SPCB	625 SPCB
4 : 3		12.8 $\pm$ 0.2 blocks	12.8 $\pm$ 0.3 blocks
16 : 9	14 inch	157 $\pm$ 2 mm	157 $\pm$ 2 mm
	20 inch	221 $\pm$ 3 mm	221 $\pm$ 3 mm

8. Repeat the manual 6 and 7 until be satisfy the both specifications.
9. Set to 16:9 mode.
10. Adjust 16:9 V.SIZE with [V SIZE] in [DEFLECTION]-[GEOMETRY] at SERVICE MENU

Confirm these items and data as follows.

	(14 inch)	(20 inch)
V. SCROLL :	13	13
V. SLOPE :	25	25
V. ZOOM :	45	50

11. Back to 4 : 3 mode.

## 2-14. Horizontal Deflection Adjustment

### 2-14-1. 525 Horizontal Deflection Adjustment

1. Receive 525 SPCB signal.
2. Set to following settings.  
CONTRAST  $\Rightarrow$  80  
BRIGHTNESS  $\Rightarrow$  0
3. Enter service mode.
4. Adjust H.SIZE with [H SIZE] in [DEFLECTION]-[RASTER H] at SERVICE MENU.

NORMAL H.SIZE standard

	525 SPCB	625 SPCB
4 : 3	16.8 $\pm$ 0.2 blocks	16.8 $\pm$ 0.3 blocks

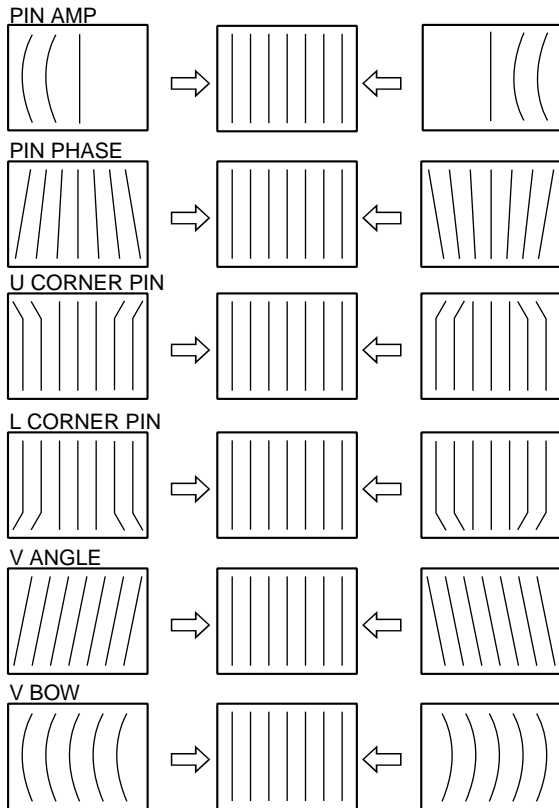
5. Adjust horizontal deflection with [PIN AMP], [PIN PHASE], [U CORNER PIN], [L CORNER PIN], [V ANGLE], [V BOW] in [DEFLECTION]-[GEOMETRY] at SERVICE MENU.
6. Set to 16:9 mode.
7. Adjust horizontal deflection with [PIN AMP], [PIN PHASE], [U CORNER PIN], [L CORNER PIN], [V ANGLE], [V BOW] in [DEFLECTION]-[GEOMETRY] at SERVICE MENU.

## 2-14-2. 625 Horizontal Deflection Adjustment

1. Receive 525 SPCB signal.
2. Set to following settings.  
CONTRAST  $\Rightarrow$  80  
BRIGHTNESS  $\Rightarrow$  0
3. Enter service mode.
4. Adjust H.SIZE with [H SIZE] in [DEFLECTION]-[RASTER H] at SERVICE MENU.  
NORMAL H.SIZE standard

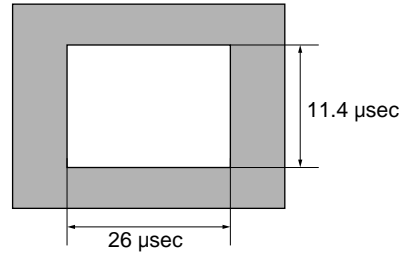
	525 SPCB	625 SPCB
4 : 3	16.8 $\pm$ 0.2 blocks	16.8 $\pm$ 0.3 blocks

5. Adjust horizontal deflection with [PIN AMP], [PIN PHASE], [U CORNER PIN], [L CORNER PIN], [V ANGLE], [V BOW] in [DEFLECTION]-[GEOMETRY] at SERVICE MENU.
6. Set to 16:9 mode.
7. Adjust horizontal deflection with [PIN AMP], [PIN PHASE], [U CORNER PIN], [L CORNER PIN], [V ANGLE], [V BOW] in [DEFLECTION]-[GEOMETRY] at SERVICE MENU.



## 2-15. Sub Contrast Adjustment

1. Set ASPECT to 4:3.
2. Input window pattern signal.  
Window size is less than the following area.



3. Adjust window brightness within standard (description below) using the resistor [SUB CONTRAST] at SERVICE MODE [SIGNAL]-[WHITE BALANCE].

20 inch	150 (+10/-10) nit
14 inch	170 (+10/-10) nit

4. Set ASPECT to 16:9.
5. Adjust window brightness within standard (description below) using the resistor [SUB CONTRAST] at SERVICE MODE [SIGNAL]-[WHITE BALANCE].

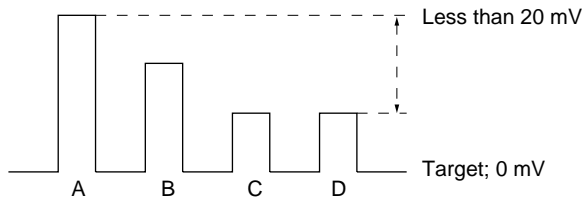
20 inch	150 (+10/-10) nit
14 inch	170 (+10/-10) nit

## 2-16. Adjustment of NTSC Mode

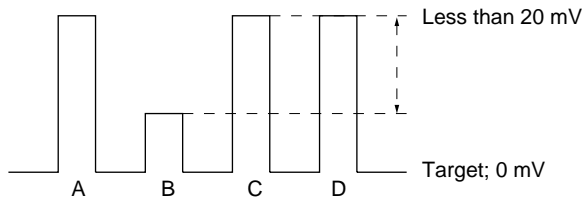
### 2-16-1. NTSC Composite Input

Input NTSC 75% color bar signal.

1. Adjust SUB CHROMA so that CN002-pin5 (JL053) waveform A and D fall on same level.



2. Adjust SUB CHROMA so that CN002-pin5 (JL053) waveform B and C fall on same level.

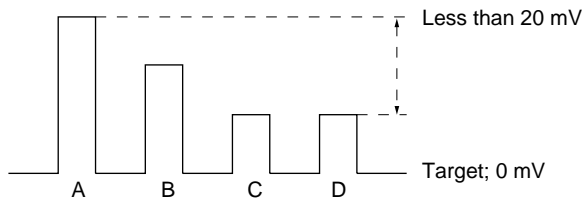


3. Repeat step 1 and 2, and adjust so that A, B, C, D fall on same level.

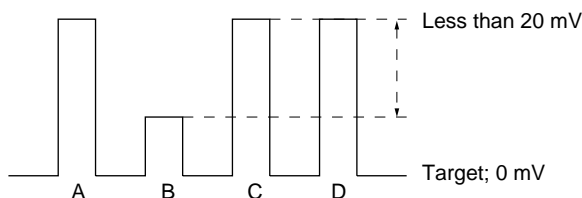
### 2-16-2. NTSC Y/C Input

Input NTSC 75% color bar signal.

1. Adjust SUB CHROMA so that CN002-pin5 (JL053) waveform A and D fall on same level.



2. Adjust SUB PHASE so that CN002-pin5 (JL053) waveform B and C fall on same level.



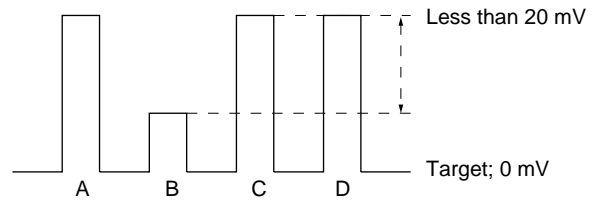
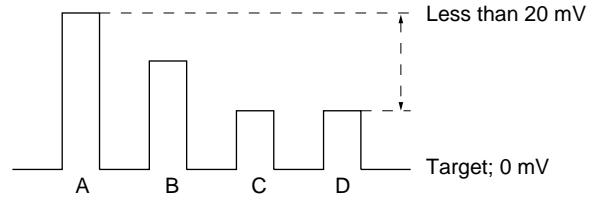
3. Repeat step 1 and 2, and adjust so that A, B, C, D fall on same level.

## 2-17. Adjustment of PAL Mode

### 2-17-1. PAL Composite Input

Input PAL 75% color bar signal.

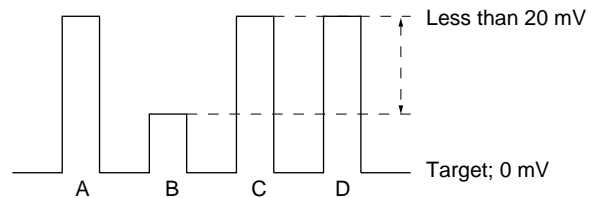
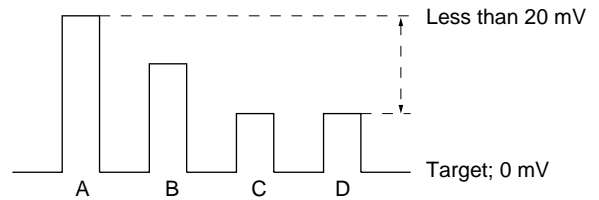
1. Adjust SUB CHROMA so that CN002-pin5 (JL053) waveform A and D fall on same level.



### 2-17-2. PAL Y/C Input

Input PAL 75% color bar signal.

1. Adjust SUB CHROMA so that CN002-pin5 (JL053) waveform A from D fall on same level.







## Section 3

### Safety Related Adjustment

This section explains the adjustment procedure when safety related component(s) is replaced. Perform the following adjustment when the safety related component(s) is replaced.


#### [Preparation]

Equipment Required


- VG (programmable video signal generator)  
VG-854 or equivalent
- DC power supply
- Digital VOM  
Advantest TR6845 or equivalent
- Slide induction transformer

#### Note

Start the following adjustments after 5 minutes have passed after the main power is turned on.

When the parts (with a  mark on the circuit diagram) shown below are replaced, confirm the matters described in items 3-1 and 3-2 shown below.

A board

-  ..... C101, C102, D102, D103, D312, D314, Q102, Q314, Q315, Q316, Q317, R101, R107, R108, R110, R311, R315, R316, R317, R318, T501 (FBT)

#### 3-1. +B Voltage Check

1. Supply the power source voltage of 127 to 130 V<sub>AC</sub> to the set and turn ON the power.
2. Input the 480/60I all black signal, and adjust the BRIGHT and CONTRAST knobs on the front panel to MIN.
3. Check that the +B voltage is 115.0 to 119.0 V<sub>DC</sub>.  
+B voltage measurement point  
For 14-inch receiver :  
Between T502 FBT pin-4 on A board and GND.  
For 20-inch receiver :  
Between T502 FBT pin-2 on A board and GND.

#### 3-2. Protection Circuit Confirmation

##### 3-2-1. HV Protector Circuit Confirmation

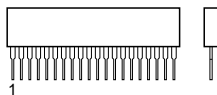
1. Supply AC power voltage of 127 to 130 V<sub>AC</sub> to the unit and turn the POWER ON.
2. Input the 480/60I all black signal, and adjust the BRIGHT and CONTRAST knobs on the front panel to MIN.
3. Confirm that the voltage between the D103 cathode (TP502) and GND on the A board satisfies the standard value.  
Standard value : 19.5 V<sub>DC</sub> or more (14 inch)  
23.5 V<sub>DC</sub> or more (20 inch)
4. Apply the following voltage between the D103 cathode and GND on the A board, and confirm that the protector circuit is not activated.  
23.1 to 23.5 V<sub>DC</sub> (14 inch)  
28.1 to 28.5 V<sub>DC</sub> (20 inch)
5. Apply the following voltage between the cathode (TP502) and GND of D103 on the A board, and confirm that the protector circuit is activated and raster disappears.  
25.3 to 25.5 V<sub>DC</sub> (14 inch)  
30.3 to 30.5 V<sub>DC</sub> (20 inch)



## Section 4 Semiconductors

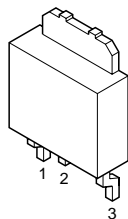
**AN5278**

MARKING SIDE VIEW

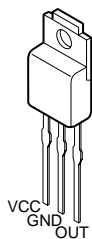


9pin SIP

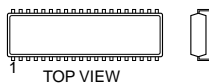
**BA033T**



**BA05T  
BA08T**

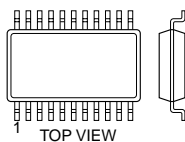


**BA4558  
UPC4558C**



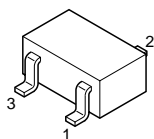
8pin DIP

**M24C08-WMN6T  
M24C08-WMN6T(A)  
MM1113XFBE  
NJM2903M  
NJM2903M-TE2**

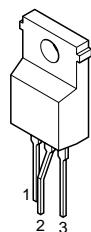


8pin SOP

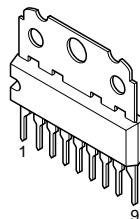
**PST573IMT**



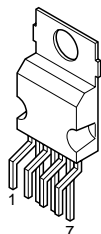
**SE115N  
SE115N (HYBRID)**



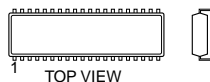
**TDA6108JF/N1B**



**TDA8177**

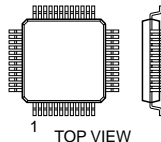


**TDA9181T**



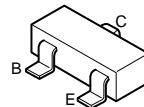
16pin DIP

**TDA9394H/N1/5.518  
TDA9394H/N1/5/1179.518**

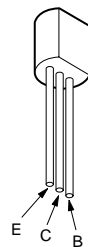


80pin QFP

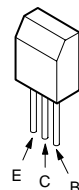
**2SA1037AK-T146-QR  
2SA1037AK-T146-R  
2SC1623-L5L6  
2SC2412K-T-146-QR  
2SD601A-QRS-TX  
2SD601A-Q-TX  
DTA144EKA-T146  
DTC114EKA-T146  
DTC143EKA-T146  
DTC144EKA  
DTC144EKA-T146**



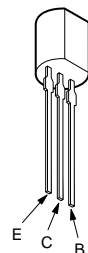
**2SA1091-0  
2SA1091O-TPE2**



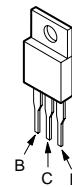
**2SC3209LK  
2SC3209LK-TP  
2SD774-34  
2SD774-T-3**



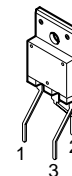
**2SC3941A-Q(TA)  
2SC3941A-QR(TA)**



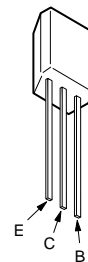
**2SD1134  
2SD1134-C  
2SD1585-LK**



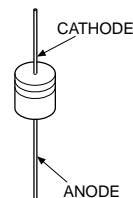
**2SD2578-CA**



**DTC143ESA  
DTC143ESA-TP**

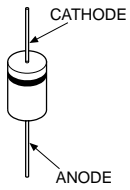


**1SS133T-77  
D1NS4  
D1NS4-TA2  
RD15ES-B2  
RD15ES-T1B2  
RD18ES-B2  
RD5.1ES-B2  
RD5.1ES-T1B2  
RD6.8SB2-T1  
RD8.2ES-B3  
RD8.2ES-T1B3**

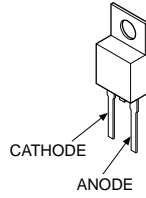


# Diode, LED

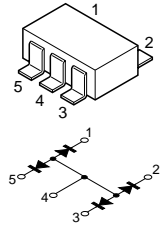
**1SS83**  
**1SS83TD**  
**D1NL20U**  
**D1NL20U-TA2**  
**EL1Z (RECTI)**  
**EL1Z-V1**  
**ERD07-15**  
**GP08D**  
**GP08DPKG23**  
**RD6.8ES-T1B2**  
**RGP02-17EL-6433**  
**RGP02-17PKG23**  
**RGP10GPKG23**  
**RU4AM-T3**



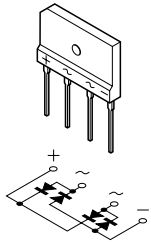
**FMG-G2CS**



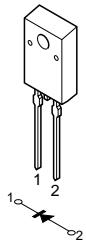
**FMN-G12S**



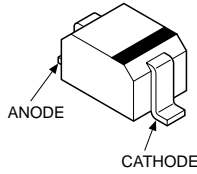
**D4SB60L**



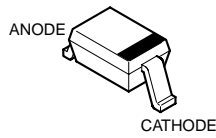
**D5S6M**



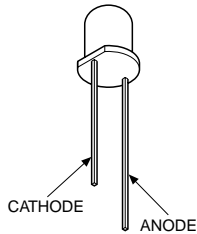
**MA111-(K8).S0**  
**MA111-TX**  
**MM3Z3V9ST1**  
**MM3Z4V7T1**  
**MM3Z5V6ST1**  
**MM3Z9V1ST1**  
**RD5.6SB-T1**



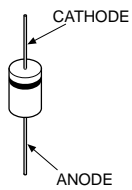
**RD10SB2-T1**



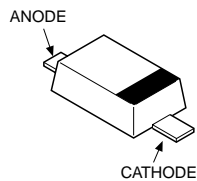
**SLR-56MC3F**



**ERC04-06SE**  
**MTZJ-T-77-18B**  
**RU-1P**  
**RU1P-V1**  
**UF5408**



**UDZSTE-173.9B**



# Section 5

## Spare Parts

### 5-1. Notes on Repair Parts

#### 1. Safety Related Components Warning

##### **WARNING**

Components marked  $\triangle$  are critical to safe operation. Therefore, specified parts should be used in the case of replacement.

##### **WARNHINWEIS**

Les composants identifiés par la marque  $\triangle$  sont critiques pour la sécurité. Ne les remplacer que par une pièce portant le numéro spécifié.

#### 2. Standardization of Parts

Some repair parts supplied by Sony differ from those used for the unit. These are because of parts commonality and improvement. Parts List has the present standardized repair parts.

#### 3. Stock of Parts

Parts marked with “o” at SP (Supply Code) column of the Spare Parts list may not be stocked. Therefore, the delivery date will be delayed. Items with no part number and no description are not stocked because they are seldom required for routine service.

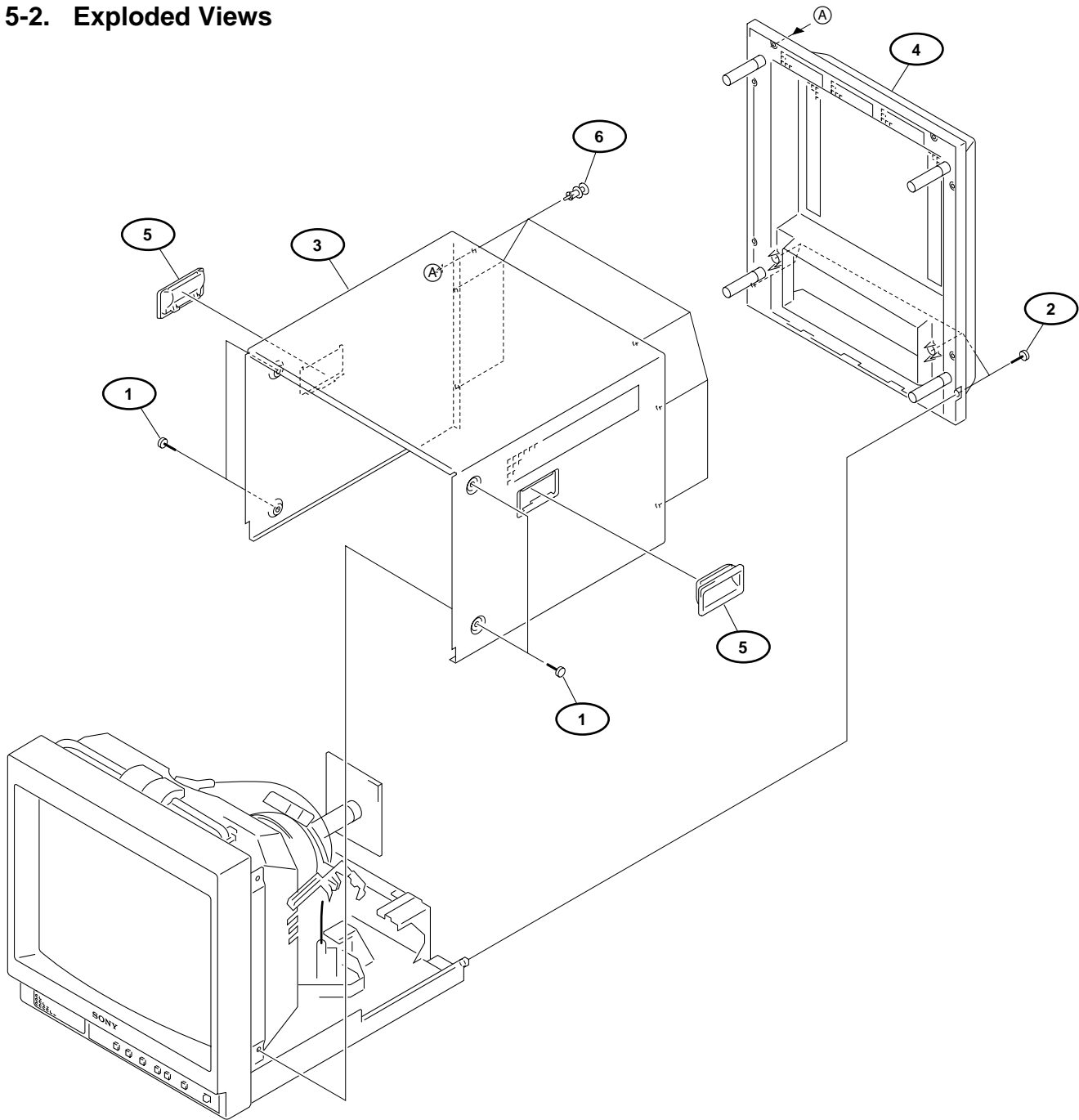
#### 4. Units for Capacitors, Inductors and Resistors

The following units are assumed in Schematic Diagrams, Electrical Parts List and Exploded Views unless otherwise specified.

Capacitors	: $\mu\text{F}$
Inductors	: $\mu\text{H}$
Resistors	: $\Omega$

# Top Cover Section (14 Inch)

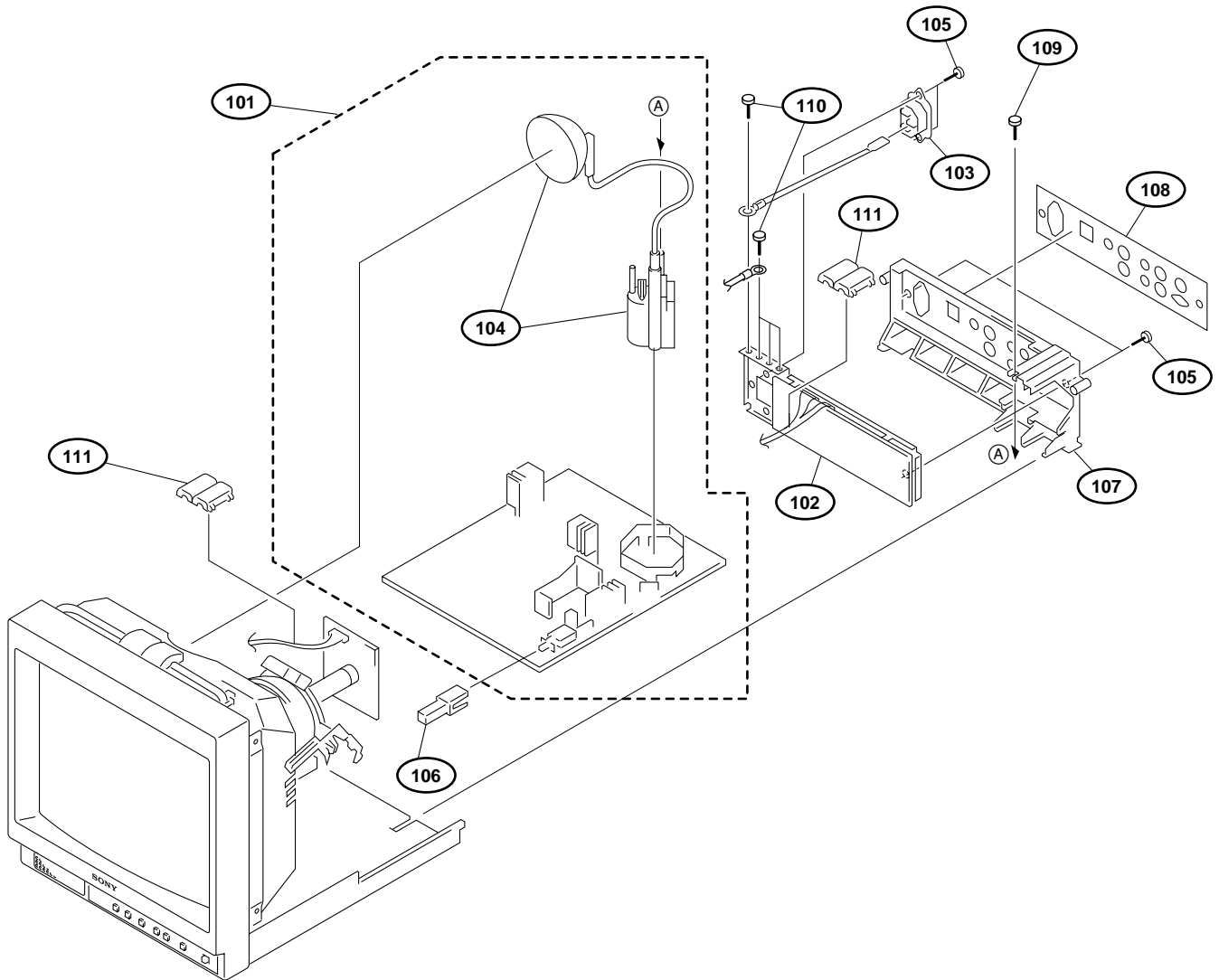
## 5-2. Exploded Views



No. Part No. SP Description

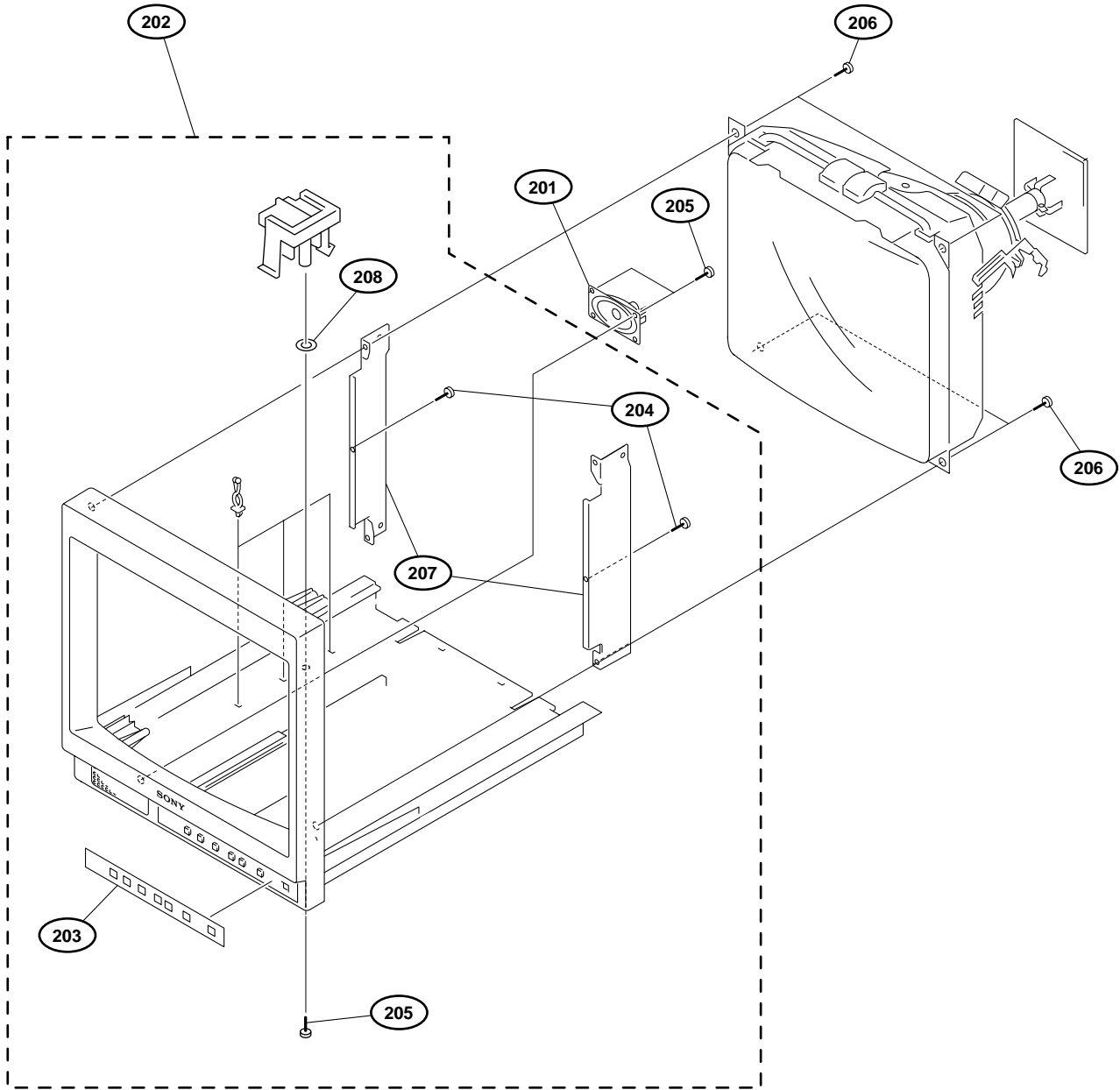
- 1 4-847-802-11 s SET SCREW, CLAW 4X8 EP-FE/CU,NI
- 2 4-039-358-01 s SCREW (4X16), (+) BV TAPPING
- 3 △ 4-050-073-33 s CABINET
- 4 △ 4-050-081-11 s PANEL, REAR
- 5 △ 4-389-320-21 s HANDLE
  
- 6 4-391-825-01 s RIVET, NYLON

# A, B Boards Section (14 Inch)



No.	Part No.	SP Description
101	[ A-1302-228-A s	MOUNTED CIRCUIT BOARD, A(14L1)
	[ A-1302-655-A s	MOUNTED CIRCUIT BOARD, A(14L1MDE)
102	[ A-1405-329-A s	MOUNTED CIRCUIT BOARD, Q(14L1)
	[ A-1410-483-A s	MOUNTED CIRCUIT BOARD, Q(14L1MDE)
103	△ 1-251-263-11 s	INLET, AC
104	△ 1-453-446-11 s	NX-4525//M3A4(T501)
105	4-098-300-01 s	SCREW, (+) PSW M3X10 S TIGHT
106	4-050-085-01 s	BUTTON, POWER SWITCH
107	△ 4-096-612-01 s	PANEL, CONNECTOR
108	[ 4-096-613-01 s	LABEL, CONNECTOR(14L1)
	[ 4-098-613-11 s	LABEL, CONNECTOR(14L1MDE)
109	4-039-356-01 s	SCREW (3X12), (+) BV TAPPING
110	4-050-077-01 s	SCREW +PS (M4X8)
111	1-543-653-11 s	CORE ASSY, BEAD

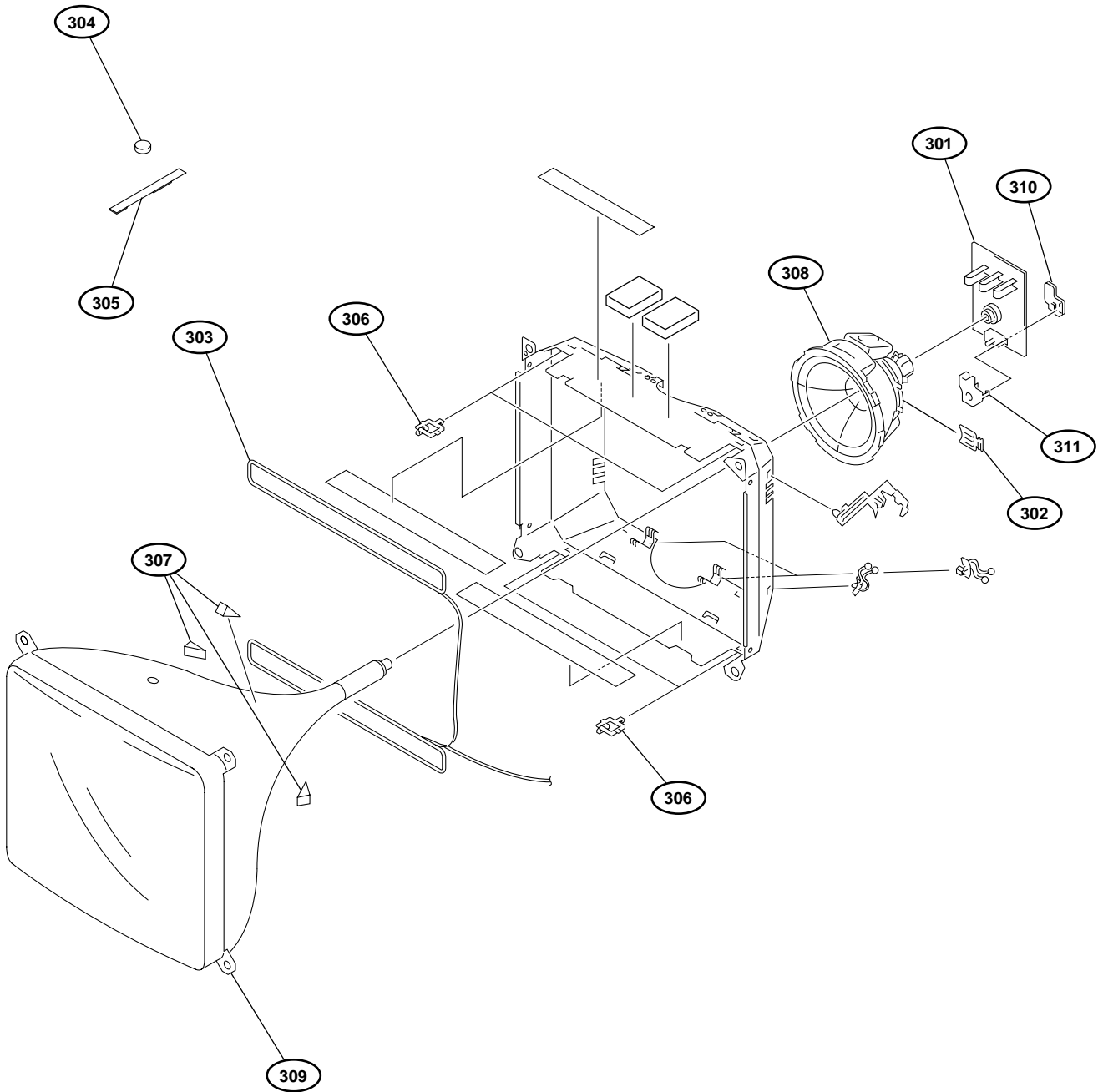
# Chassis and Bezel Assy Section (14 Inch)



No.	Part No.	SP Description
201	△ 1-505-188-11	s SPEAKER (4X7CM)
202	△ X-4041-887-1	s BEZNET ASSY(PVM-14L1)
	△ X-4042-535-1	s BEZNET ASSY(SSM-14L1)
	△ X-4042-537-1	s BEZNET ASSY(PVM-14L1MDE)
203	4-050-088-61	s LABEL, CONTROL
204	4-039-358-01	s SCREW (4X16), (+) BV TAPPING
205	4-039-356-01	s SCREW (3X12), (+) BV TAPPING
206	4-203-648-01	s SCREW (5), SELF TAPPING
207	4-050-089-01	s BRACKET, SIDE
208	4-308-030-31	s WASHER, DOUBLE STICK TAPE (VFS)

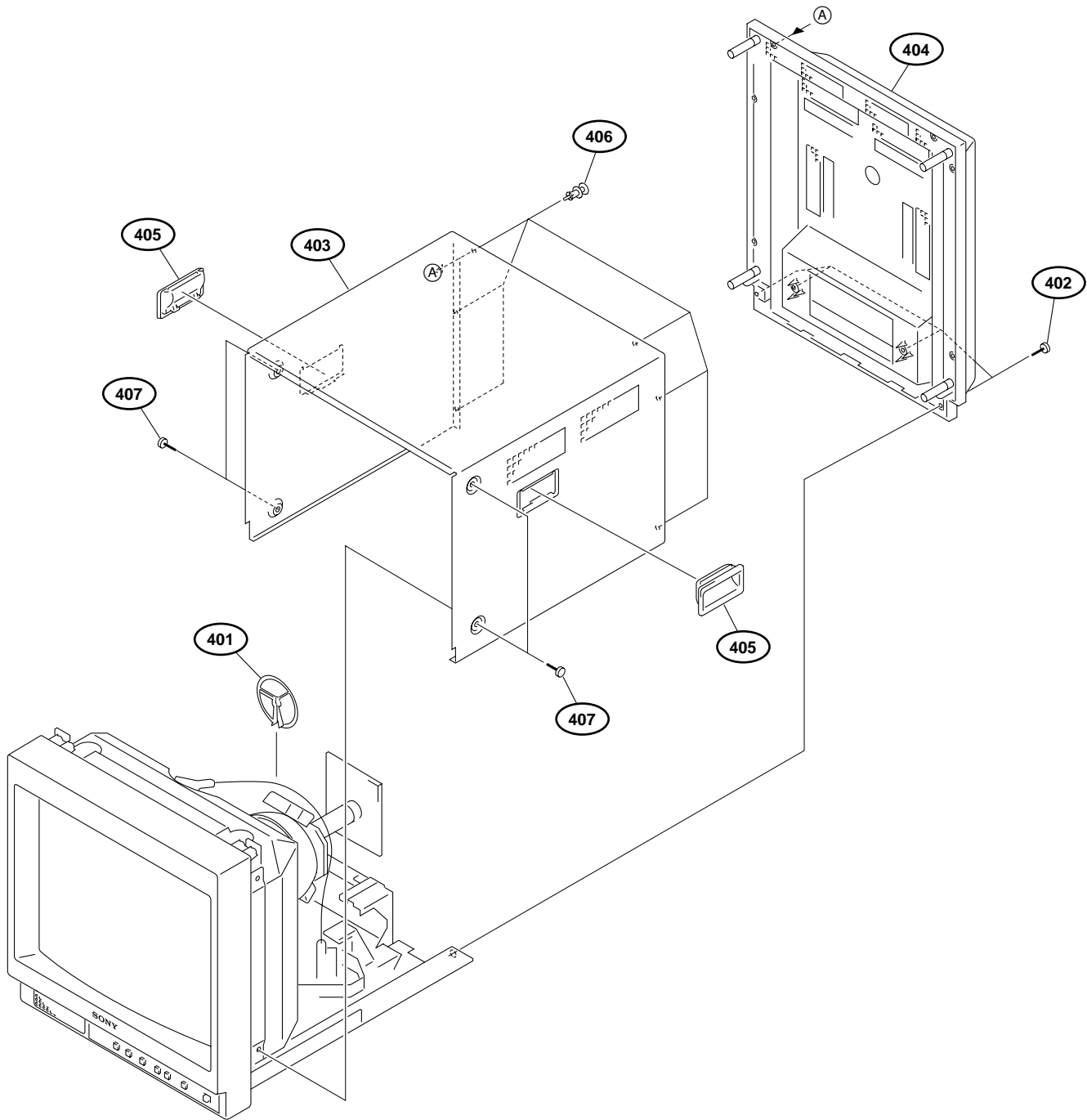


# Picture Tube Section (14 Inch)



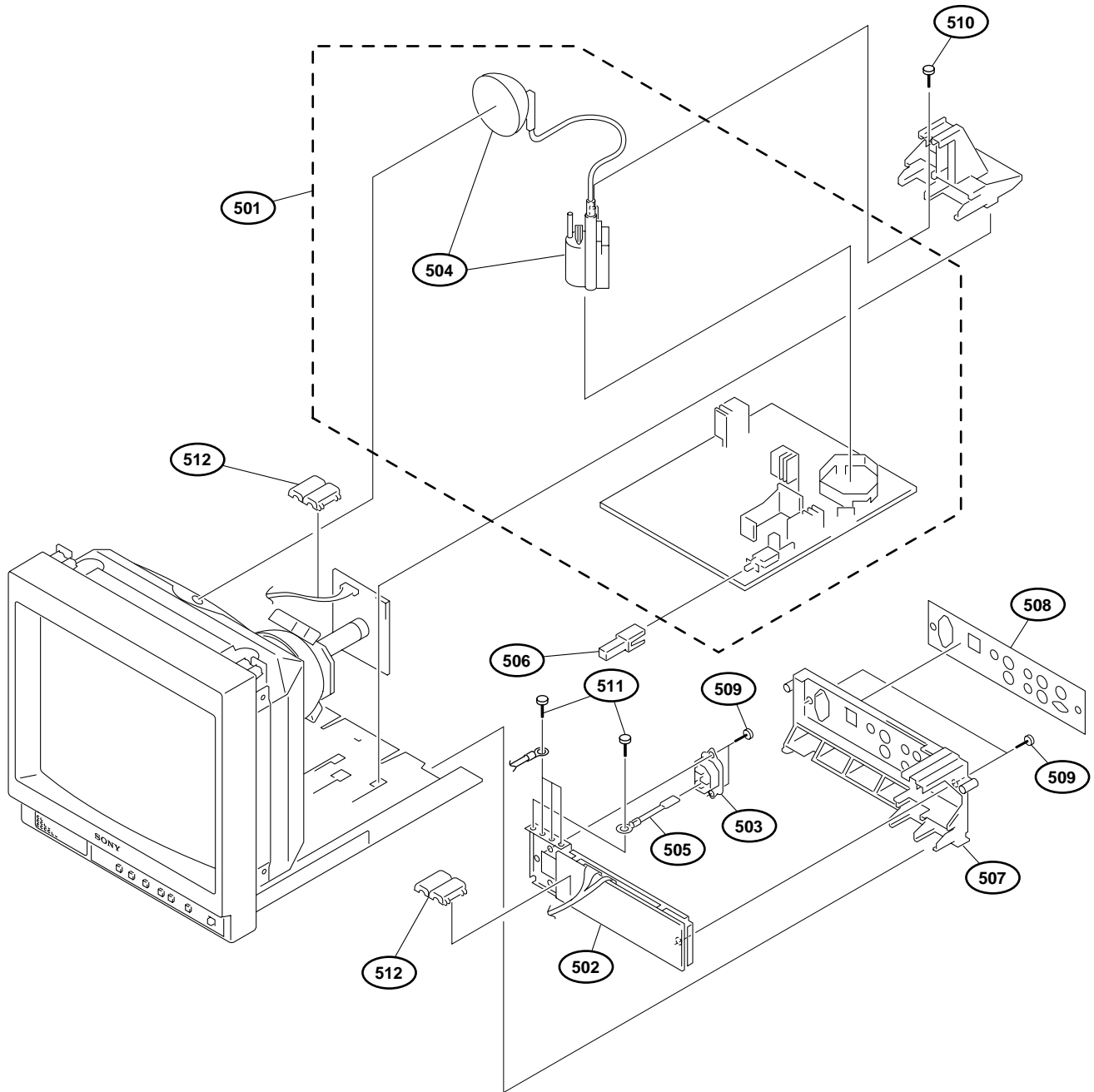
No.	Part No.	SP Description
301	A-1405-326-A	s MOUNTED CIRCUIT BOARD, C
302	X-2105-533-1	s PLATE ASSY, CORRECTION, TLH
303	△ 1-426-442-31	s COIL, DEMAGNETIZATION
304	1-452-032-00	s MAGNET, DISC
305	4-051-736-42	s PIECE A (90), CONV, CORRECT
306	4-316-015-00	o HOLDER, WIRE
307	4-203-658-01	s SPACER, DY
308	△ 8-451-472-12	s DY Y14MGAT
309	△ 8-738-363-05	s PICTURE TUBE
310	4-374-912-01	o COVER (MAIN), CV VOL
311	4-374-913-01	o COVER (REAR LID), CV VOL

# Top Cover Section (20 Inch)



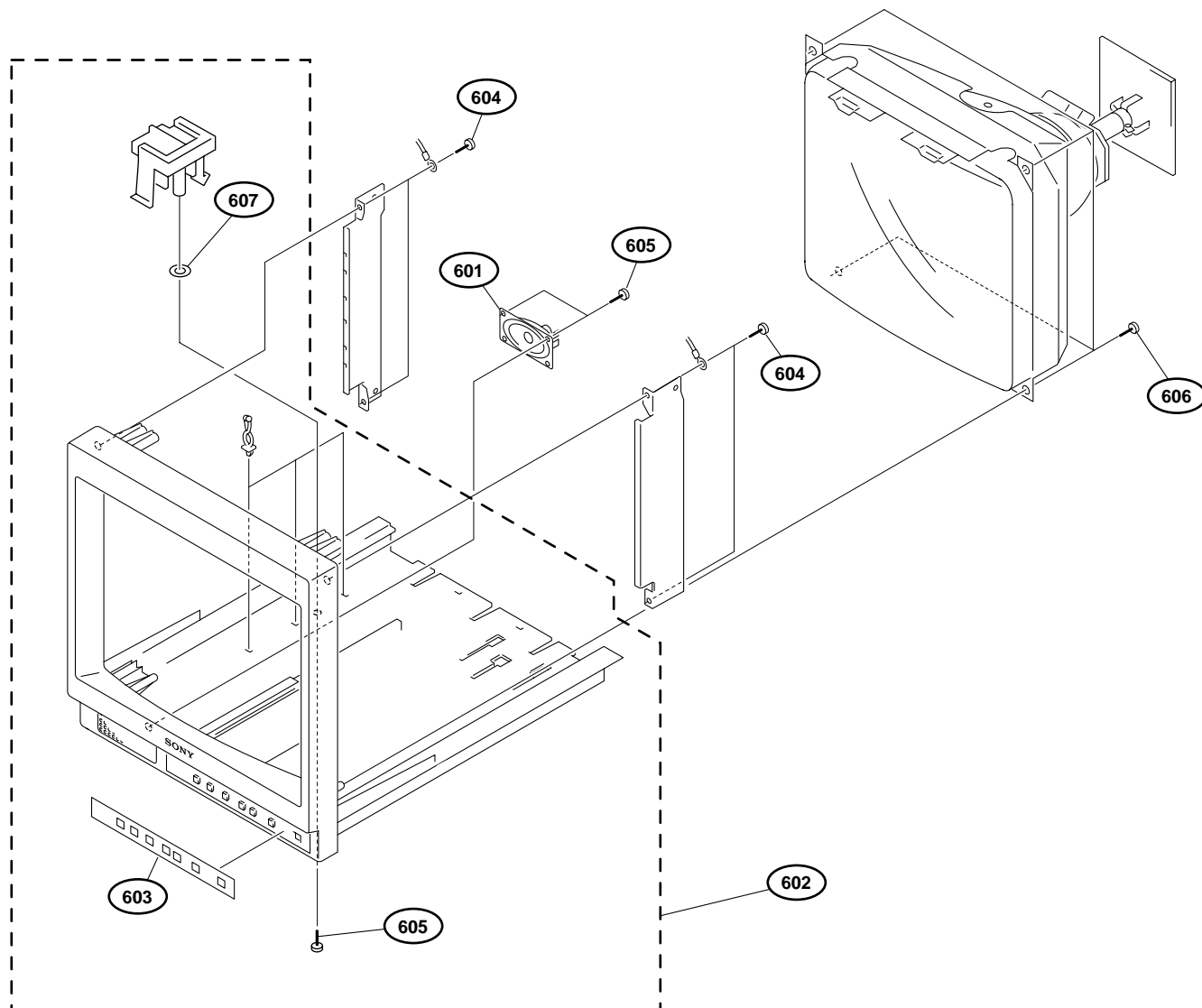
No.	Part No.	SP Description
401	3-704-372-01	s HOLDER, HV CABLE
402	4-039-358-01	s SCREW (4X16), (+) BV TAPPING
403	4-050-060-33	s CABINET
404	4-050-063-11	s PANEL, REAR
405	4-389-320-21	s HANDLE
406	4-391-825-01	s RIVET, NYLON
407	4-847-802-11	s SET SCREW, CLAW 4X8 EP-FE/CU,NI

# A, B Boards Section (20 Inch)



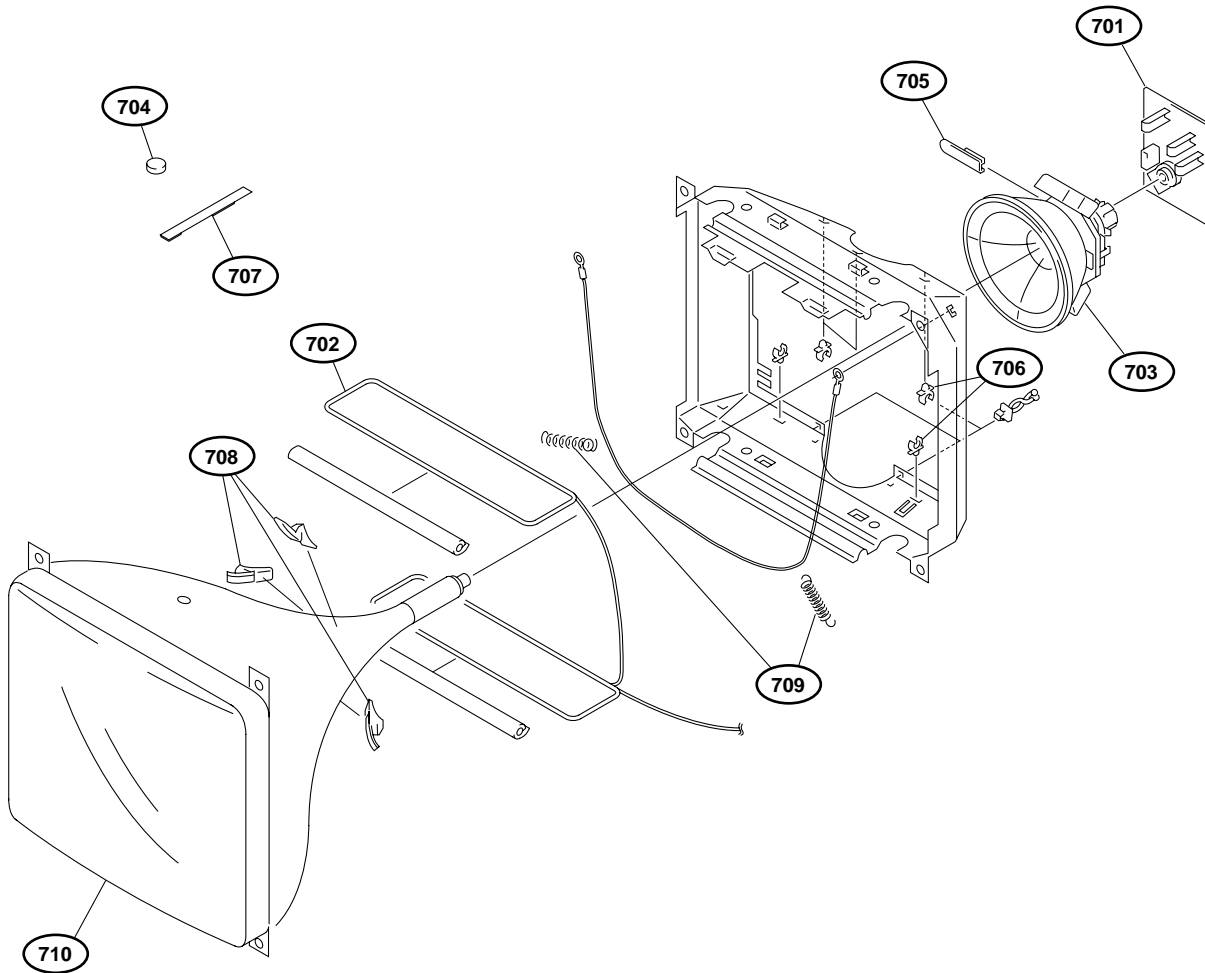
No.	Part No.	SP Description
501	A-1302-229-A	s MOUNTED CIRCUIT BOARD, A
502	A-1405-329-A	s MOUNTED CIRCUIT BOARD, Q
503	△ 1-251-263-11	s INLET, AC
504	△ 1-453-446-21	s NX-4525//Z2A4(T501)
505	1-900-214-07	o WIRE ASSY, SEFETY EARTH
506	4-050-085-01	s BUTTON, POWER SWITCH
507	△ 4-096-612-01	s PANEL, CONNECTOR
508	4-096-613-01	s LABEL, CONNECTOR
509	4-098-300-01	s SCREW, (+) PSW M3X10 S TIGHT
510	4-039-356-01	s SCREW (3X12), (+) BV TAPPING
511	4-050-077-01	s SCREW +PS (M4X8)
512	1-543-653-11	s CORE ASSY, BEAD

## Chassis and Bezel Assy Section (20 Inch)



No.	Part No.	SP Description
601	△ 1-505-188-11	s SPEAKER (4X7CM)
602	△ X-4041-886-1	s BEZNET ASSY (PVM)
	△ X-4042-536-1	s BEZNET ASSY (SSM)
603	4-050-088-61	s LABEL, CONTROL
604	4-039-358-01	s SCREW (4X16), (+) BV TAPPING
605	4-039-356-01	s SCREW (3X12), (+) BV TAPPING
606	4-203-648-01	s SCREW (5), SELF TAPPING
607	4-308-030-31	s WASHER, DOUBLE STICK TAPE (VFS)

# Picture Tube Section (20 Inch)



No.	Part No.	SP Description
701	A-1405-331-A	s MOUNTED CIRCUIT BOARD, C
702	△ 1-411-750-31	s COIL, DEMAGNETIC
703	△ 1-451-349-13	s DEFLECTION YOKE (Y20FZA)
704	1-452-032-00	s MAGNET, DISC
705	4-030-120-01	s PLATE, CORRECTION, TLV
706	4-041-021-02	s HOLDER, DEGAUSS COIL
707	4-051-736-42	s PIECE A(90), CONV, CORRECT
708	4-203-658-01	s SPACER, DY
709	4-369-318-31	s SPRING, TENSION
710	△ 8-737-279-05	s PICTURE TUBE (AUS)
	△ 8-736-135-05	s PICTURE TUBE

### 5-3. Electrical Parts List

-----  
 A BOARD (FOR 14 INCH)  
 -----

Ref. No. or Q'ty	Part No.	SP Description
1pc	A-1302-228-A	s MOUNTED CIRCUIT BOARD, A(14L1)
1pc	A-1302-655-A	s MOUNTED CIRCUIT BOARD, A(14L1MDE)
2pcs	2-371-561-00	s BUSHING(P),INSULATING
1pc	4-200-407-01	s HOLDER,IC
2pcs	4-201-023-01	s SPACER,INSULATING
7pcs	4-382-854-11	s SCREW,+PSW M3X10(EP-FE/ZNBK/CM
C001	1-162-970-11	s CAPACITOR CERAMIC 0.01MF/25V B
C003	1-164-227-11	s CAPACITOR,CERAMIC 0.022MF/25V
C004	1-162-918-11	s CAPACITOR,CERAMIC 18PF/50V CH
C005	1-162-918-11	s CAPACITOR,CERAMIC 18PF/50V CH
C006	1-107-826-11	s CAPACITOR,CHIP CERAMIC 0.1MF
C008	1-126-933-11	s CAPACITOR,ELECT 100MF/16V
C011	1-107-826-11	s CAPACITOR,CHIP CERAMIC 0.1MF
C012	1-164-227-11	s CAPACITOR,CERAMIC 0.022MF/25V
C013	1-162-970-11	s CAPACITOR CERAMIC 0.01MF/25V B
C015	1-136-165-00	s CAPACITOR,FILM 0.1MF/50V (PP)
C016	1-107-826-11	s CAPACITOR,CHIP CERAMIC 0.1MF
C017	1-107-826-11	s CAPACITOR,CHIP CERAMIC 0.1MF
C018	1-107-826-11	s CAPACITOR,CHIP CERAMIC 0.1MF
C019	1-125-838-11	s CAPACITOR, CERAMIC 2.2MF/6.3V
C020	1-162-968-11	s CAPACITOR,CERAMIC 4700PF/50V B
C021	1-109-982-11	s CAPACITOR,CHIP CERAMIC 1MF/10V
C022	1-162-968-11	s CAPACITOR,CERAMIC 4700PF/50V B
C023	1-164-227-11	s CAPACITOR,CERAMIC 0.022MF/25V
C024	1-164-227-11	s CAPACITOR,CERAMIC 0.022MF/25V
C025	1-127-715-11	s CAPACITOR,CERAMIC 0.22MF B1608
C026	1-107-826-11	s CAPACITOR,CHIP CERAMIC 0.1MF
C027	1-162-962-11	s CAPACITOR,CERAMIC 470PF/50V(B)
C028	1-162-964-11	s CAPACITOR,CERAMIC 1000PF/50V B
C029	1-126-935-11	s CAPACITOR,ELECT 470MF/16V
C030	1-126-926-11	s CAPACITOR,ELECT 1000MF/10V
C031	1-126-963-11	s CAPACITOR, ELECT 4.7MF/50V
C032	1-126-935-11	s CAPACITOR,ELECT 470MF/16V
C033	1-126-933-11	s CAPACITOR,ELECT 100MF/16V
C034	1-162-970-11	s CAPACITOR CERAMIC 0.01MF/25V B
C035	1-162-970-11	s CAPACITOR CERAMIC 0.01MF/25V B
C036	1-107-826-11	s CAPACITOR,CHIP CERAMIC 0.1MF
C037	1-126-935-11	s CAPACITOR,ELECT 470MF/16V
C038	1-126-933-11	s CAPACITOR,ELECT 100MF/16V
C040	1-126-933-11	s CAPACITOR,ELECT 100MF/16V
C041	1-126-933-11	s CAPACITOR,ELECT 100MF/16V
C043	1-162-970-11	s CAPACITOR CERAMIC 0.01MF/25V B
C044	1-126-961-11	s CAPACITOR, ELECT 2.2MF/50V
C045	1-162-960-11	s CAPACITOR,CERAMIC 220PF/50V(B)
C046	1-162-964-11	s CAPACITOR,CERAMIC 1000PF/50V B
C047	1-126-963-11	s CAPACITOR, ELECT 4.7MF/50V
C048	1-125-891-11	s CAPACITOR CERAMIC 0.47MF/10V
C049	1-107-826-11	s CAPACITOR,CHIP CERAMIC 0.1MF
C050	1-107-826-11	s CAPACITOR,CHIP CERAMIC 0.1MF
C051	1-107-823-11	s CAPACITOR,CERAMIC 0.47MF/16V
C052	1-107-823-11	s CAPACITOR,CERAMIC 0.47MF/16V
C053	1-125-891-11	s CAPACITOR CERAMIC 0.47MF/10V
C054	1-107-826-11	s CAPACITOR,CHIP CERAMIC 0.1MF
C055	1-162-970-11	s CAPACITOR CERAMIC 0.01MF/25V B
C056	1-162-970-11	s CAPACITOR CERAMIC 0.01MF/25V B
C057	1-162-970-11	s CAPACITOR CERAMIC 0.01MF/25V B
C058	1-162-970-11	s CAPACITOR CERAMIC 0.01MF/25V B
C059	1-162-970-11	s CAPACITOR CERAMIC 0.01MF/25V B
C060	1-162-970-11	s CAPACITOR CERAMIC 0.01MF/25V B
C061	1-162-970-11	s CAPACITOR CERAMIC 0.01MF/25V B

(A BOARD (FOR 14 INCH))

Ref. No. or Q'ty	Part No.	SP Description
C062	1-164-245-11	s CAPACITOR,CERAMIC 0.015MF/25V
C063	1-107-826-11	s CAPACITOR,CHIP CERAMIC 0.1MF
C064	1-162-970-11	s CAPACITOR CERAMIC 0.01MF/25V B
C065	1-162-970-11	s CAPACITOR CERAMIC 0.01MF/25V B
C066	1-162-970-11	s CAPACITOR CERAMIC 0.01MF/25V B
C067	1-162-970-11	s CAPACITOR CERAMIC 0.01MF/25V B
C068	1-162-970-11	s CAPACITOR CERAMIC 0.01MF/25V B
C101	1-162-970-11	s CAPACITOR CERAMIC 0.01MF/25V B
C102	1-107-635-11	s CAPACITOR, ELECT 4.7MF/160V
C301	1-126-963-11	s CAPACITOR, ELECT 4.7MF/50V
C302	1-162-967-11	s CAPACITOR,CERAMIC 3300PF/50V B
C312	1-126-964-11	s CAPACITOR, ELECT 10MF/50V
C333	1-107-826-11	s CAPACITOR,CHIP CERAMIC 0.1MF
C334	1-107-826-11	s CAPACITOR,CHIP CERAMIC 0.1MF
C341	1-161-830-00	s CAPACITOR,CERAMIC;4700PF/500V
C376	1-162-927-11	s CAPACITOR,CERAMIC 100PF/50V CH
C377	1-162-927-11	s CAPACITOR,CERAMIC 100PF/50V CH
C378	1-162-970-11	s CAPACITOR CERAMIC 0.01MF/25V B
C379	1-162-970-11	s CAPACITOR CERAMIC 0.01MF/25V B
C380	1-162-927-11	s CAPACITOR,CERAMIC 100PF/50V CH
C385	1-162-964-11	s CAPACITOR,CERAMIC 1000PF/50V B
C386	1-162-964-11	s CAPACITOR,CERAMIC 1000PF/50V B
C387	1-126-965-11	s CAPACITOR,ELECT 22MF/50V
C388	1-165-176-11	s CAPACITOR,CERAMIC 47000PF/16V
C389	1-162-927-11	s CAPACITOR,CERAMIC 100PF/50V CH
C500	1-165-441-81	s CAPACITOR, ELECT 33MF/160V
C501	1-117-838-11	s CAP, METAL PP FILM 8200PF 1.5KV
C502	1-130-338-11	s CAPACITOR,FILM 0.01MF/630V
C503	1-162-116-00	s CAPACITOR,CERAMIC 680PF/2KVDC
C504	1-162-116-00	s CAPACITOR,CERAMIC 680PF/2KVDC
C505	1-137-350-11	s CAPACITOR FILM 0.015MF/100V
C507	1-117-674-11	s CAP, PP FILM (S) 1.8MF/200V
C508	1-102-228-00	s CAPACITOR,CERAMIC 470PF/500V
C509	1-107-943-11	s CAPACITOR,ELECT 10MF/160V
C510	1-107-846-11	s CAPACITOR FILM 0.10MF/400V(S)
C511	1-106-371-00	s CAPACITOR FILM 0.015MF/200V
C512	1-102-228-00	s CAPACITOR,CERAMIC 470PF/500V
C514	1-107-901-11	s CAPACITOR,ELECT 0.47MF/50V(105
C516	1-162-116-00	s CAPACITOR,CERAMIC 680PF/2KV
C517	1-162-116-00	s CAPACITOR,CERAMIC 680PF/2KV
C518	1-137-479-11	s CAPASITOR FILM 1MF/400V
C519	1-137-350-11	s CAPACITOR FILM 0.015MF/100V
C521	1-107-906-11	s CAPACITOR, ELECT 10MF/50V
C522	1-162-965-11	s CAPACITOR,CERAMIC 1500PF/50V B
C523	1-115-350-51	s CAPACITOR, CERAMIC 4700PF F
C551	1-126-968-11	s CAPACITOR,ELECT 100MF/50V
C552	1-137-401-11	s CAPACITOR,FILM 0.22MF/100V
C553	1-104-709-11	s CAPACITOR, ELECT 4.7MF/160V
C554	1-162-964-11	s CAPACITOR,CERAMIC 1000PF/50V B
C555	1-126-967-11	s CAPACITOR,ELECT 47MF/50V
C556	1-126-965-11	s CAPACITOR,ELECT 22MF/50V
C557	1-162-964-11	s CAPACITOR,CERAMIC 1000PF/50V B
C559	1-115-339-11	s CAPACITOR,CERAMIC 0.1MF/50V
C601	△ 1-165-437-11	s CAPACITOR,PP FILM 0.22MF
C602	△ 1-165-437-11	s CAPACITOR,PP FILM 0.22MF
C603	△ 1-113-907-51	s CAPACITOR, CERAMIC 2200PF/250V
C604	1-164-156-11	s CAPACITOR,CERAMIC 0.1MF/25V F
C605	△ 1-113-907-51	s CAPACITOR, CERAMIC 2200PF/250V
C606	1-126-947-11	s CAPACITOR, ELECT 47MF/35V

## (A BOARD (FOR 14 INCH))

Ref. No. or Q'ty	Part No.	SP	Description
C607	△ 1-165-437-11	s	CAPACITOR,PP FILM 0.22MF
C608	1-113-907-51	s	CAPACITOR, CERAMIC 2200PF/250V
C609	1-113-907-51	s	CAPACITOR, CERAMIC 2200PF/250V
C610	1-113-907-51	s	CAPACITOR, CERAMIC 2200PF/250V
C611	1-113-907-51	s	CAPACITOR, CERAMIC 2200PF/250V
C612	△ 1-117-753-11	s	CAPACITOR ELECT 470MF/450V
C614	1-104-574-11	s	CAPACITOR, CERAMIC 4700PF/2KV
C616	1-126-947-11	s	CAPACITOR, ELECT 47MF/35V
C617	1-107-826-11	s	CAPACITOR,CHIP CERAMIC 0.1MF
C618	1-117-626-11	s	CAPACITOR FILM 2000PF/1600DC
C619	1-107-444-11	s	CAPACITOR,CERAMIC 100PF/2KVDC
C620	1-104-665-11	s	CAPACITOR, ELECT 100MF/25V
C621	1-100-657-91	s	CAPACITOR, CERAMIC 470PF/2KV
C622	1-162-962-11	s	CAPACITOR,CERAMIC 470PF/50V(B)
C623	1-130-471-00	s	CAPACITOR FILM 0.001MF/50V PET
C624	1-165-176-11	s	CAPACITOR,CERAMIC 47000PF/16V
C650	△ 1-113-903-11	s	CAPACITOR,CERAMIC 0.001MF/250V
C651	1-104-999-11	s	CAPACITOR FILM 0.1MF/200V PETP
C652	1-107-655-11	s	CAPASITOR ERECT 47MF/250V
C653	1-125-494-11	s	CAPACITOR,ELECT 560MF/160V
C655	1-107-648-91	s	CAPACITOR ELECT 100MF/200V
C656	1-126-943-11	s	CAPACITOR,ELECT 2200MF/25V
C657	1-126-943-11	s	CAPACITOR,ELECT 2200MF/25V
C658	1-126-768-11	s	CAPACITOR,ELECT 2200MF/16V
C659	1-111-066-11	s	CAPACITOR,ELECT 820MF/25V 105
C660	1-126-942-61	s	CAPACITOR,ELECT 1000MF/25V
C661	1-107-914-11	s	CAPACITOR, ELECT 100MF/50V
C662	1-126-942-61	s	CAPACITOR,ELECT 1000MF/25V
C663	1-126-935-11	s	CAPACITOR,ELECT 470MF/16V
C664	1-107-826-11	s	CAPACITOR,CHIP CERAMIC 0.1MF
C665	1-107-826-11	s	CAPACITOR,CHIP CERAMIC 0.1MF
C666	1-126-935-11	s	CAPACITOR,ELECT 470MF/16V
C667	1-107-826-11	s	CAPACITOR,CHIP CERAMIC 0.1MF
C668	1-107-826-11	s	CAPACITOR,CHIP CERAMIC 0.1MF
C669	1-126-964-11	s	CAPACITOR, ELECT 10MF/50V
C670	1-126-965-11	s	CAPACITOR,ELECT 22MF/50V
C671	1-128-528-11	s	CAPACITOR,ELECT 470MF/25V
C672	1-126-935-11	s	CAPACITOR,ELECT 470MF/16V
C1453	1-162-117-00	s	CAPACITOR,CERAMIC 100PF/500V B
C1461	1-164-230-11	s	CAPACITOR,CERAMIC 220PF/50V
C1462	1-162-927-11	s	CAPACITOR,CERAMIC 100PF/50V CH
C1463	1-162-927-11	s	CAPACITOR,CERAMIC 100PF/50V CH
C1464	1-115-339-11	s	CAPACITOR,CERAMIC 0.1MF/50V
C1465	1-115-339-11	s	CAPACITOR,CERAMIC 0.1MF/50V
C1466	1-115-339-11	s	CAPACITOR,CERAMIC 0.1MF/50V
C1467	1-163-021-91	s	CAPACITOR, CERAMIC 0.01MF/50V
C1468	1-162-117-00	s	CAPACITOR,CERAMIC 100PF/500V B
C1471	1-162-964-11	s	CAPACITOR,CERAMIC 1000PF/50V B
C1481	1-162-964-11	s	CAPACITOR,CERAMIC 1000PF/50V B
C1486	1-162-927-11	s	CAPACITOR,CERAMIC 100PF/50V CH
C1488	1-126-964-11	s	CAPACITOR, ELECT 10MF/50V
C3501	1-107-714-11	s	CAPACITOR, ELECT 10MF/50V(BP)
C3502	1-107-905-11	s	CAPACITOR, ELECT 4.7MF/50V
C3503	1-126-963-11	s	CAPACITOR, ELECT 4.7MF/50V
C3504	1-107-905-11	s	CAPACITOR, ELECT 4.7MF/50V
C3505	1-162-968-11	s	CAPACITOR,CERAMIC 4700PF/50V B
C3506	1-126-964-11	s	CAPACITOR, ELECT 10MF/50V
C3507	1-165-176-11	s	CAPACITOR,CERAMIC 47000PF/16V
C3510	1-104-665-11	s	CAPACITOR, ELECT 100MF/25V
C3511	1-126-964-11	s	CAPACITOR, ELECT 10MF/50V

## (A BOARD (FOR 14 INCH))

Ref. No. or Q'ty	Part No.	SP	Description
CLP101	4-042-408-01	o	PIN, COATING LEAD
CN001	1-564-508-11	o	PLUG,CONNECTOR (5P)
CN002	1-564-511-11	o	PLUG,CONNECTOR (8P)
CN003	1-564-515-11	o	PLUG,CONNECTOR (12P)
CN004	1-564-510-11	o	PLUG,CONNECTOR (7P)
CN501	1-580-798-11	o	CONNECTOR PIN (DY) 6P
CN502	1-691-096-11	o	PIN,CONNECTOR (PC BOARD) 8P
CN503	1-695-915-11	s	TAB (CONTACT)
CN601	△ 1-580-843-11	o	PIN,CONNECTOR(POWER)
CN602	△ 1-508-786-00	o	2P PLUG
CN3502	1-564-506-11	o	PLUG,CONNECTOR (3P)
D004	8-719-036-94	s	DIODE RD5.6SB-T1
D006	8-719-083-58	s	DIODE UDZSTE-173.9B
D009	6-500-028-01	s	DIODE MM3Z9V1ST1
D010	8-719-036-94	s	DIODE RD5.6SB-T1
D011	8-719-036-94	s	DIODE RD5.6SB-T1
D012	6-500-028-01	s	DIODE MM3Z9V1ST1
D014	8-719-036-94	s	DIODE RD5.6SB-T1
D017	8-719-991-33	s	DIODE 1SS133T-77
D018	8-719-073-01	s	DIODE MA111-(K8).S0
D019	8-719-073-01	s	DIODE MA111-(K8).S0
D020	8-719-073-01	s	DIODE MA111-(K8).S0
D021	8-719-073-01	s	DIODE MA111-(K8).S0
D022	8-719-073-01	s	DIODE MA111-(K8).S0
D023	8-719-073-01	s	DIODE MA111-(K8).S0
D102	8-719-037-16	s	DIODE RD10SB2-T1
D103	8-719-302-43	s	DIODE EL1Z (RECTI)
D301	8-719-110-49	s	DIODE RD18ES-B2
D302	8-719-302-43	s	DIODE EL1Z (RECTI)
D312	8-719-073-01	s	DIODE MA111-(K8).S0
D313	8-719-073-01	s	DIODE MA111-(K8).S0
D314	8-719-073-01	s	DIODE MA111-(K8).S0
D315	8-719-073-01	s	DIODE MA111-(K8).S0
D501	8-719-033-83	s	DIODE ERD07-15
D502	8-719-048-23	s	DIODE UF5408
D503	8-719-908-03	s	DIODE GP08D
D504	8-719-908-03	s	DIODE GP08D
D505	8-719-036-94	s	DIODE RD5.6SB-T1
D506	8-719-073-01	s	DIODE MA111-(K8).S0
D509	8-719-028-72	s	DIODE RGP02-17EL-6433
D551	8-719-908-03	s	DIODE GP08D
D552	8-719-036-94	s	DIODE RD5.6SB-T1
D601	△ 8-719-510-53	s	DIODE D4SB60L
D605	8-719-073-01	s	DIODE MA111-(K8).S0
D606	8-719-073-01	s	DIODE MA111-(K8).S0
D607	8-719-033-53	s	DIODE RD6.8SB2-T1
D608	8-719-109-85	s	DIODE RD5.1ES-B2
D609	8-719-510-02	s	DIODE D1NS4
D610	8-719-063-70	s	DIODE D1NL20U
D611	8-719-063-70	s	DIODE D1NL20U
D612	8-719-063-70	s	DIODE D1NL20U
D613	8-719-311-31	s	DIODE RU-1P
D614	8-719-051-96	s	DIODE FMG-G2CS
D615	8-719-312-10	s	DIODE RU4AM-T3
D616	8-719-058-38	s	DIODE FMN-G12S
D617	8-719-058-38	s	DIODE FMN-G12S
D618	8-719-058-38	s	DIODE FMN-G12S
D619	8-719-071-38	s	DIODE D5S6M
D621	8-719-110-41	s	DIODE RD15ES-B2

## (A BOARD (FOR 14 INCH))

Ref. No. or Q'ty	Part No.	SP	Description
D622	8-719-110-09	s	DIODE RD8.2ES-B3
D623	8-719-073-01	s	DIODE MA111-(K8).S0
D625	8-719-033-53	s	DIODE RD6.8SB2-T1
D626	8-719-068-00	s	DIODE ERC04-06SE
D627	8-719-068-00	s	DIODE ERC04-06SE
D628	8-719-063-70	s	DIODE D1NL20U
D656	8-719-046-66	s	LED SLR-56MC3F
F601	△ 1-576-231-12	s	FUSE(H.B.C)(4A/250V)
F602	△ 1-576-231-12	s	FUSE(H.B.C)(4A/250V)(14L1MDE)
FB001	1-410-397-21	s	FERRITE BEAD INDUCTOR
FB101	1-216-295-91	s	CONDUCTOR, CHIP (2012)
FB102	1-216-295-91	s	CONDUCTOR, CHIP (2012)
FB103	1-216-295-91	s	CONDUCTOR, CHIP (2012)
FB104	1-216-295-91	s	CONDUCTOR, CHIP (2012)
FB105	1-216-295-91	s	CONDUCTOR, CHIP (2012)
FB601	1-412-911-11	s	INDUCTOR,FERRITE BEAD
FB603	1-412-911-11	s	INDUCTOR,FERRITE BEAD
FB605	1-412-911-11	s	INDUCTOR,FERRITE BEAD
FH601	1-533-223-11	s	CLIP,FUSE
FH602	1-533-223-11	s	CLIP,FUSE
FH603	1-533-223-11	s	CLIP,FUSE(14L1MDE)
FH604	1-533-223-11	s	CLIP,FUSE(14L1MDE)
IC001	6-803-550-01	s	IC TDA9394H/N1/5/1179.518
IC002	8-759-672-39	s	IC PST573IMT
IC003	8-759-575-72	s	IC M24C08-WMN6T
IC004	8-759-666-90	s	IC TDA9181T
IC551	8-759-339-59	s	IC TDA8177
IC552	8-759-145-58	s	IC UPC4558C
IC601	8-749-016-43	s	IC STR-F6653-LF1351
IC602	8-759-700-07	s	IC NJM2903M
IC651	8-749-921-89	s	IC SE115N (HYBRID)
IC652	8-759-450-47	s	IC BA05T
IC653	8-759-445-59	s	IC BA033T
IC654	8-759-450-50	s	IC BA08T
IC3501	6-700-688-01	s	IC AN5278
JR1	1-216-295-91	s	CONDUCTOR, CHIP (2012)
JR2	1-216-295-91	s	CONDUCTOR, CHIP (2012)
JR3	1-216-295-91	s	CONDUCTOR, CHIP (2012)
JR5	1-216-295-91	s	CONDUCTOR, CHIP (2012)
JR7	1-216-295-91	s	CONDUCTOR, CHIP (2012)
JR10	1-216-295-91	s	CONDUCTOR, CHIP (2012)
JR11	1-216-295-91	s	CONDUCTOR, CHIP (2012)
JR12	1-216-295-91	s	CONDUCTOR, CHIP (2012)
JR13	1-216-295-91	s	CONDUCTOR, CHIP (2012)
JR14	1-216-295-91	s	CONDUCTOR, CHIP (2012)
JR15	1-216-295-91	s	CONDUCTOR, CHIP (2012)
JR16	1-216-295-91	s	CONDUCTOR, CHIP (2012)
JR17	1-216-295-91	s	CONDUCTOR, CHIP (2012)
JR19	1-216-295-91	s	CONDUCTOR, CHIP (2012)
JR20	1-216-295-91	s	CONDUCTOR, CHIP (2012)
JR22	1-216-295-91	s	CONDUCTOR, CHIP (2012)
JR23	1-216-295-91	s	CONDUCTOR, CHIP (2012)
JR24	1-216-295-91	s	CONDUCTOR, CHIP (2012)
JR28	1-216-295-91	s	CONDUCTOR, CHIP (2012)
JR32	1-216-295-91	s	CONDUCTOR, CHIP (2012)
L002	1-412-533-21	s	MICRO INDUCTOR 47UH
L003	1-412-533-21	s	MICRO INDUCTOR 47UH
L005	1-412-533-21	s	MICRO INDUCTOR 47UH
L006	1-412-541-41	s	MICRO INDUCTOR 220UH
L007	1-412-537-31	s	INDUCTOR,MICRO 100UH

## (A BOARD (FOR 14 INCH))

Ref. No. or Q'ty	Part No.	SP	Description
L501	1-406-976-11	s	COIL, CHOKE 68UH
L502	1-412-527-11	s	MICRO INDUCTOR 15UH
L503	1-412-553-11	s	INDUCTOR,MICRO 3.3MH
L504	1-459-104-00	s	COIL,DUST CORE
L505	1-459-760-13	s	COIL, HORIZONTAL LINEARITY
L506	1-406-979-11	s	COIL, CHOKE 220UH
L507	1-406-977-21	s	COIL, CHOKE 100UH
L510	1-407-365-00	s	CHOKE COIL,RF
L551	1-459-104-00	s	COIL,DUST CORE
L601	△ 1-419-653-11	s	COIL, CHOKE 56MMH
L602	1-406-661-11	s	COIL CHOKE 22UH
L603	1-406-661-11	s	COIL CHOKE 22UH
L604	1-406-663-21	s	COIL CHOKE 47UH
L650	1-414-189-31	s	INDUCTOR 100UH
NL501	1-517-778-21	s	LAMP, NEON
PH601	△ 8-749-016-81	s	PHOTO COUPLER PC123Y22
Q001	8-729-120-28	s	TRANSISTOR 2SC1623-L5L6
Q002	8-729-026-49	s	TRANSISTOR 2SA1037AK-T146-R
Q003	8-729-026-49	s	TRANSISTOR 2SA1037AK-T146-R
Q005	8-729-027-43	s	TRANSISTOR DTC114EKA-T146
Q102	8-729-120-28	s	TRANSISTOR 2SC1623-L5L6
Q301	8-729-120-28	s	TRANSISTOR 2SC1623-L5L6
Q314	1-801-806-11	s	TRANSISTOR DTC144EKA
Q315	8-729-027-38	s	TRANSISTOR DTA144EKA-T146
Q316	1-801-806-11	s	TRANSISTOR DTC144EKA
Q317	8-729-120-28	s	TRANSISTOR 2SC1623-L5L6
Q501	8-729-048-07	s	TRANSISTOR 2SD2578-CA
Q502	8-729-140-50	s	TRANSISTOR 2SC3209LK
Q551	8-729-313-42	s	TRANSISTOR 2SD1134
Q602	8-729-120-28	s	TRANSISTOR 2SC1623-L5L6
Q603	8-729-029-92	s	TRANSISTOR DTC143ESA
Q604	8-729-141-89	s	TRANSISTOR 2SD1585-LK
Q605	8-729-140-96	s	TRANSISTOR 2SD774-34
Q606	8-729-200-17	s	TRANSISTOR 2SA1091-0
Q607	8-729-026-49	s	TRANSISTOR 2SA1037AK-T146-R
Q608	8-729-027-55	s	TRANSISTOR DTC143EKA-T146
Q609	8-729-120-28	s	TRANSISTOR 2SC1623-L5L6
Q610	8-729-120-28	s	TRANSISTOR 2SC1623-L5L6
Q611	8-729-120-28	s	TRANSISTOR 2SC1623-L5L6
Q3501	8-729-422-33	s	TRANSISTOR 2SD601A-Q-TX
Q3503	8-729-120-28	s	TRANSISTOR 2SC1623-L5L6
R001	1-216-809-11	s	RESISTOR,CHIP 100 1/10W 1608
R002	1-216-809-11	s	RESISTOR,CHIP 100 1/10W 1608
R003	1-216-809-11	s	RESISTOR,CHIP 100 1/10W 1608
R004	1-216-827-11	s	RESISTOR, CHIP 3.3K 1/10W 1608
R005	1-216-827-11	s	RESISTOR, CHIP 3.3K 1/10W 1608
R006	1-219-570-11	s	RESISTOR,CHIP 10M 1/16W
R007	1-216-809-11	s	RESISTOR,CHIP 100 1/10W 1608
R008	1-216-809-11	s	RESISTOR,CHIP 100 1/10W 1608
R009	1-216-809-11	s	RESISTOR,CHIP 100 1/10W 1608
R010	1-216-809-11	s	RESISTOR,CHIP 100 1/10W 1608
R011	1-216-809-11	s	RESISTOR,CHIP 100 1/10W 1608
R012	1-216-821-11	s	RESISTOR,CHIP 1.0K 1/10W(1608)
R013	1-218-865-11	s	RESISTOR,CHIP 5.6K 1/10W(1608)
R014	1-219-570-11	s	RESISTOR,CHIP 10M 1/16W
R015	1-216-861-11	s	RESISTOR,CHIP 2.2M 1/16W 1608



## (A BOARD (FOR 14 INCH))

Ref. No. or Q'ty	Part No.	SP	Description
R016	1-216-857-11	s	RESISTOR,CHIP 1M 1/10W(1608)
R017	1-218-899-11	s	RESISTOR,CHIP 150K 1/10W(1608)
R018	1-216-829-11	s	RESISTOR,CHIP 4.7K 1/10W(1608)
R019	1-216-838-11	s	RESISTOR CHIP 27K 1/10W(1608)
R020	1-216-813-11	s	RESISTOR, CHIP 220 1/10W 1608
R021	1-216-809-11	s	RESISTOR,CHIP 100 1/10W 1608
R022	1-216-829-11	s	RESISTOR,CHIP 4.7K 1/10W(1608)
R023	1-216-809-11	s	RESISTOR,CHIP 100 1/10W 1608
R024	1-216-829-11	s	RESISTOR,CHIP 4.7K 1/10W(1608)
R025	1-216-809-11	s	RESISTOR,CHIP 100 1/10W 1608
R026	1-218-823-11	s	RESISTOR,CHIP 100 1/10W (1608)
R027	1-216-840-11	s	RESISTOR,CHIP 39K 1/10W 1608
R028	1-216-835-11	s	RESISTOR,CHIP 15K 1/10W
R029	1-218-862-11	s	RESISTOR,CHIP 4.3K 1/10W(1608)
R030	1-216-809-11	s	RESISTOR,CHIP 100 1/10W 1608
R031	1-216-841-11	s	RESISTOR, CHIP 47K 1/10W 1608
R032	1-218-831-11	s	RESISTOR, CHIP 220 1/10W(1608)
R033	1-218-871-11	s	RESISTOR,CHIP 10K 1/10W (1608)
R034	1-218-875-11	s	RESISTOR,CHIP 15K 1/10W (1608)
R035	1-218-859-11	s	RESISTOR,CHIP 3.3K 1/10W(1608)
R036	1-218-867-11	s	RESISTOR,CHIP 6.8K 1/10W(1608)
R037	1-216-864-11	s	CONDUCTOR, CHIP (1608)
R038	1-218-851-11	s	RESISTOR,CHIP 1.5K 1/10W(1608)
R039	1-216-833-11	s	RESISTOR,CHIP 10K 1/10W (1608)
R040	1-216-809-11	s	RESISTOR,CHIP 100 1/10W 1608
R041	1-218-867-11	s	RESISTOR,CHIP 6.8K 1/10W(1608)
R042	1-216-833-11	s	RESISTOR,CHIP 10K 1/10W (1608)
R043	1-216-864-11	s	CONDUCTOR, CHIP (1608)
R044	1-216-821-11	s	RESISTOR,CHIP 1.0K 1/10W(1608)
R045	1-216-864-11	s	CONDUCTOR, CHIP (1608)
R046	1-216-809-11	s	RESISTOR,CHIP 100 1/10W 1608
R047	1-216-829-11	s	RESISTOR,CHIP 4.7K 1/10W(1608)
R048	1-216-833-11	s	RESISTOR,CHIP 10K 1/10W (1608)
R049	1-216-809-11	s	RESISTOR,CHIP 100 1/10W 1608
R050	1-216-861-11	s	RESISTOR,CHIP 2.2M 1/16W 1608
R051	1-216-809-11	s	RESISTOR,CHIP 100 1/10W 1608
R052	1-218-849-11	s	RESISTOR,CHIP 1.2K 1/10W (1608)
R053	1-218-849-11	s	RESISTOR,CHIP 1.2K 1/10W (1608)
R054	1-216-809-11	s	RESISTOR,CHIP 100 1/10W 1608
R055	1-216-829-11	s	RESISTOR,CHIP 4.7K 1/10W(1608)
R056	1-216-829-11	s	RESISTOR,CHIP 4.7K 1/10W(1608)
R057	1-216-833-11	s	RESISTOR,CHIP 10K 1/10W (1608)
R058	1-216-809-11	s	RESISTOR,CHIP 100 1/10W 1608
R059	1-216-809-11	s	RESISTOR,CHIP 100 1/10W 1608
R060	1-216-809-11	s	RESISTOR,CHIP 100 1/10W 1608
R061	1-216-861-11	s	RESISTOR,CHIP 2.2M 1/16W 1608
R062	1-218-839-11	s	RESISTOR,CHIP 470 1/10W (1608)
R063	1-218-839-11	s	RESISTOR,CHIP 470 1/10W (1608)
R064	1-218-839-11	s	RESISTOR,CHIP 470 1/10W (1608)
R065	1-218-849-11	s	RESISTOR,CHIP 1.2K 1/10W (1608)
R066	1-216-829-11	s	RESISTOR,CHIP 4.7K 1/10W(1608)
R067	1-216-809-11	s	RESISTOR,CHIP 100 1/10W 1608
R068	1-216-833-11	s	RESISTOR,CHIP 10K 1/10W (1608)
R069	1-216-833-11	s	RESISTOR,CHIP 10K 1/10W (1608)
R070	1-216-833-11	s	RESISTOR,CHIP 10K 1/10W (1608)
R071	1-216-809-11	s	RESISTOR,CHIP 100 1/10W 1608
R072	1-216-809-11	s	RESISTOR,CHIP 100 1/10W 1608
R073	1-218-835-11	s	RESISTOR,CHIP 330 1/10W (1608)
R074	1-216-809-11	s	RESISTOR,CHIP 100 1/10W 1608

## (A BOARD (FOR 14 INCH))

Ref. No. or Q'ty	Part No.	SP	Description
R076	1-216-833-11	s	RESISTOR,CHIP 10K 1/10W (1608)
R077	1-216-829-11	s	RESISTOR,CHIP 4.7K 1/10W(1608)
R078	1-216-809-11	s	RESISTOR,CHIP 100 1/10W 1608
R079	1-216-837-11	s	RESISTOR,CHIP 22K 1/16W 1608
R082	1-216-809-11	s	RESISTOR,CHIP 100 1/10W 1608
R083	1-216-809-11	s	RESISTOR,CHIP 100 1/10W 1608
R084	1-216-809-11	s	RESISTOR,CHIP 100 1/10W 1608
R085	1-216-809-11	s	RESISTOR,CHIP 100 1/10W 1608
R086	1-216-809-11	s	RESISTOR,CHIP 100 1/10W 1608
R087	1-216-809-11	s	RESISTOR,CHIP 100 1/10W 1608
R088	1-216-809-11	s	RESISTOR,CHIP 100 1/10W 1608
R089	1-216-809-11	s	RESISTOR,CHIP 100 1/10W 1608
R091	1-216-809-11	s	RESISTOR,CHIP 100 1/10W 1608
R094	1-216-821-11	s	RESISTOR,CHIP 1.0K 1/10W(1608)
R096	1-216-829-11	s	RESISTOR,CHIP 4.7K 1/10W(1608)
R097	1-216-809-11	s	RESISTOR,CHIP 100 1/10W 1608
R101	1-218-911-11	s	RESISTOR,CHIP 470K 1/10W(1608)
R107	1-218-895-11	s	RESISTOR,CHIP 100K 1/10W(1608)
R108	1-218-912-11	s	RESISTOR,CHIP 510K 1/10W(1608)
R110	1-218-905-11	s	RESISTOR,CHIP 270K 1/10W(1608)
R301	1-216-809-11	s	RESISTOR,CHIP 100 1/10W 1608
R302	1-218-871-11	s	RESISTOR,CHIP 10K 1/10W (1608)
R303	1-218-871-11	s	RESISTOR,CHIP 10K 1/10W (1608)
R304	1-216-809-11	s	RESISTOR,CHIP 100 1/10W 1608
R305	1-216-809-11	s	RESISTOR,CHIP 100 1/10W 1608
R306	1-216-833-11	s	RESISTOR,CHIP 10K 1/10W (1608)
R307	1-216-833-11	s	RESISTOR,CHIP 10K 1/10W (1608)
R308	1-216-809-11	s	RESISTOR,CHIP 100 1/10W 1608
R311	1-216-833-11	s	RESISTOR,CHIP 10K 1/10W (1608)
R315	1-216-833-11	s	RESISTOR,CHIP 10K 1/10W (1608)
R316	1-216-833-11	s	RESISTOR,CHIP 10K 1/10W (1608)
R317	1-216-833-11	s	RESISTOR,CHIP 10K 1/10W (1608)
R318	1-216-829-11	s	RESISTOR,CHIP 4.7K 1/10W(1608)
R325	1-214-913-00	s	RESISTOR,METAL FILM 100K 1/2W
R326	1-214-888-00	s	RESISTOR,METAL FILM 10K 1/2W
R393	1-249-393-11	s	RES,CARBON 10 1/4W
R394	1-216-797-11	s	RESISTOR,CHIP 10 1/10W 1608
R501	1-216-828-11	s	RESISTOR, CHIP 3.9K 1/10W 1608
R502	1-216-832-11	s	RESISTOR,CHIP 8.2K 1/16W 1608
R503	1-215-483-11	s	RESISTOR,METAL FILM 2.7K/3W
R504	1-215-920-11	s	RESISTOR,METAL FILM 3.3K/3W
R506	1-260-331-11	s	RESISTOR,CARBON 1.8K 1/2W
R507	1-216-423-11	s	RESISTOR,METAL FILM 27/1W
R508	1-215-862-11	s	RESISTOR,METAL 68 1W
R509	1-216-833-11	s	RESISTOR,CHIP 10K 1/10W (1608)
R512	1-218-881-11	s	RESISTOR,CHIP 27K 1/10W(1608)
R513	1-216-829-11	s	RESISTOR,CHIP 4.7K 1/10W(1608)
R514	1-215-870-11	s	RESISTOR,METAL FILM 1.5K/1W
R515	1-215-920-11	s	RESISTOR,METAL FILM 3.3K/3W
R551	1-215-867-00	s	RESISTOR,METAL FILM 470/1W
R552	1-215-880-00	s	RESISTOR,METAL OXIDE 10 2W
R553	1-216-675-11	s	RESISTOR,CHIP 10K 1/10W(2012)
R554	1-218-855-11	s	RESISTOR,CHIP 2.2K 1/10W(1608)
R555	1-215-886-11	s	RESISTOR,METAL OXIDE 100 2W
R556	1-260-294-11	s	RESISTOR CARBON 1.5 1/2W
R557	1-218-855-11	s	RESISTOR,CHIP 2.2K 1/10W(1608)
R558	1-216-675-11	s	RESISTOR,CHIP 10K 1/10W(2012)
R559	1-216-835-11	s	RESISTOR,CHIP 15K 1/10W
R560	1-216-849-11	s	RESISTOR,CHIP 220K 1/16W 1608

## (A BOARD (FOR 14 INCH))

Ref. No. or Q'ty	Part No.	SP	Description
R561	1-249-377-11	s	RES,CARBON 0.47 1/4W
R562	1-216-670-11	s	RESISTOR,CHIP 6.2K 1/10W(2012)
R563	1-216-675-11	s	RESISTOR,CHIP 10K 1/10W(2012)
R564	1-216-827-11	s	RESISTOR,CHIP 3.3K 1/10W 1608
R565	1-216-821-11	s	RESISTOR,CHIP 1.0K 1/10W(1608)
R569	1-216-857-11	s	RESISTOR,CHIP 1M 1/10W(1608)
R570	1-216-422-11	s	RESISTOR,METAL FILM 18 1W
R571	1-216-825-11	s	RESISTOR,CHIP 2.2K 1/10W 1608
R572	1-216-833-11	s	RESISTOR,CHIP 10K 1/10W (1608)
R601	△ 1-219-759-11	s	RESISTOR (SURGE RESISTANT) 1M
R602	△ 1-219-769-11	s	RESISTOR (SURGE) 3.3M/1/2W
R603	△ 1-219-769-11	s	RESISTOR (SURGE) 3.3M/1/2W
R604	1-216-845-11	s	RESISTOR,CHIP 100K 1/10W(1608)
R605	1-216-817-11	s	RESISTOR,CHIP 470 1/10W 1608
R607	1-216-833-11	s	RESISTOR,CHIP 10K 1/10W (1608)
R608	1-216-809-11	s	RESISTOR,CHIP 100 1/10W 1608
R609	1-218-861-11	s	RESISTOR,CHIP 3.9K 1/10W(1608)
R610	1-216-825-11	s	RESISTOR,CHIP 2.2K 1/10W 1608
R611	1-218-875-11	s	RESISTOR,CHIP 15K 1/10W (1608)
R612	1-218-855-11	s	RESISTOR,CHIP 2.2K 1/10W(1608)
R613	1-216-825-11	s	RESISTOR,CHIP 2.2K 1/10W 1608
R614	1-218-863-11	s	RESISTOR,CHIP 4.7K 1/10W(1608)
R615	1-245-478-21	s	ANTI SURGE RESISTOR 470K
R616	1-245-478-21	s	ANTI SURGE RESISTOR 470K
R617	1-219-134-11	s	RESISTOR,FUSE 0.1
R620	1-202-933-61	s	RESISTOR, FUSE 0.1 1/2W
R621	1-215-926-00	s	RESISTOR,METAL FILM 33K/3W
R622	1-215-926-00	s	RESISTOR,METAL FILM 33K/3W
R623	1-215-926-00	s	RESISTOR,METAL FILM 33K/3W
R624	1-247-843-11	s	RESISTOR CARBON (SMALL) 3.3K
R625	1-216-361-00	s	RESISTOR,METAL FILM 0.22/2W
R626	1-216-363-00	s	RESISTOR,METAL FILM 0.33/2W
R627	1-218-843-11	s	RESISTOR,CHIP 680 1/10W (1608)
R629	1-218-855-11	s	RESISTOR,CHIP 2.2K 1/10W(1608)
R630	1-249-396-11	s	RES,CARBON 18 1/4W
R631	1-215-929-11	s	RESISTOR,METAL FILM 100K/3W
R636	1-245-464-21	s	ANTI SURGE RESISTOR 120K
R637	1-245-464-21	s	ANTI SURGE RESISTOR 120K
R638	1-245-464-21	s	ANTI SURGE RESISTOR 120K
R639	1-216-833-11	s	RESISTOR,CHIP 10K 1/10W (1608)
R640	1-218-885-11	s	RESISTOR,CHIP 39K 1/10W (1608)
R651	1-216-825-11	s	RESISTOR,CHIP 2.2K 1/10W 1608
R652	1-216-821-11	s	RESISTOR,CHIP 1.0K 1/10W(1608)
R653	1-215-898-11	s	RESISTOR,METAL FILM 10K/2W
R654	1-202-933-61	s	RESISTOR, FUSE 0.1 1/2W
R656	1-249-381-11	s	RES,CARBON 1 (1/4W)
R657	1-249-381-11	s	RES,CARBON 1 (1/4W)
R658	1-249-409-11	s	RESISTOR,CARBON 220 1/4W SMALL
R659	1-249-413-11	s	RESISTOR,CARBON 470 1/4W SMALL
R660	1-212-857-00	s	RESISTOR,FUSE 10 1/4W
R661	1-216-391-11	s	RESISTOR,METAL FILM 1.5 3W
R662	1-218-849-11	s	RESISTOR,CHIP 1.2K 1/10W(1608)
R663	1-245-476-21	s	ANTI SURGE RESISTOR 390K
R664	1-218-895-11	s	RESISTOR,CHIP 100K 1/10W(1608)
R665	1-216-835-11	s	RESISTOR,CHIP 15K 1/10W
R666	1-218-871-11	s	RESISTOR,CHIP 10K 1/10W (1608)
R667	1-245-478-21	s	ANTI SURGE RESISTOR 470K
R668	1-249-417-11	s	RESISTOR,CARBON 1K 1/4W(SMALL)
R1419	1-216-809-11	s	RESISTOR,CHIP 100 1/10W 1608

## (A BOARD (FOR 14 INCH))

Ref. No. or Q'ty	Part No.	SP	Description
R1420	1-216-809-11	s	RESISTOR,CHIP 100 1/10W 1608
R3501	1-216-829-11	s	RESISTOR,CHIP 4.7K 1/10W(1608)
R3502	1-216-821-11	s	RESISTOR,CHIP 1.0K 1/10W(1608)
R3503	1-216-833-11	s	RESISTOR,CHIP 10K 1/10W (1608)
R3505	1-216-851-11	s	RESISTOR,CHIP 330K 1/16W 1608
R3506	1-218-866-11	s	RESISTOR,CHIP 6.2K 1/10W(1608)
R3507	1-216-834-11	s	RESISTOR,CHIP 12K 1/16W 1608
R3508	1-216-829-11	s	RESISTOR,CHIP 4.7K 1/10W(1608)
R3509	1-216-835-11	s	RESISTOR,CHIP 15K 1/10W
R3510	1-216-837-11	s	RESISTOR,CHIP 22K 1/16W 1608
R3512	1-216-813-11	s	RESISTOR,CHIP 220 1/10W 1608
R3513	1-216-833-11	s	RESISTOR,CHIP 10K 1/10W (1608)
R3514	1-216-821-11	s	RESISTOR,CHIP 1.0K 1/10W(1608)
RY603	△ 1-755-013-11	s	RELAY (12V)
S001	1-571-532-21	s	SWITCH,TACTILE
S002	1-571-532-21	s	SWITCH,TACTILE
S003	1-571-532-21	s	SWITCH,TACTILE
S004	1-571-532-21	s	SWITCH,TACTILE
S005	1-571-532-21	s	SWITCH,TACTILE
S006	1-571-532-21	s	SWITCH,TACTILE
S501	1-572-707-11	s	SWITCH,LEVER
S601	△ 1-571-433-21	s	SWITCH, PUSH (AC POWER)
SG501	1-519-422-11	s	GAP, SPARK
T501	△ 1-453-446-11	s	NX-4525//M3A4
T502	1-437-090-31	s	TRANSFORMER,HDT
T601	△ 1-443-029-11	s	CONVERTER TRANSFORMER (SRT)
T603	△ 1-429-180-11	s	TRANSFORMER, LINE FILTER
THP601	△ 1-808-059-31	s	THERMISTOR,POSITIVE
VDR601	△ 1-803-830-31	s	VARISTOR (ERZV14D621)
X001	1-578-774-11	s	VIBRATOR, CRYSTAL (12MHz)

## A BOARD (FOR 20 INCH)

Ref. No. or Q'ty	Part No.	SP	Description
1pc	A-1302-229-A	s	MOUNTED CIRCUIT BOARD, A
2pcs	2-371-561-00	s	BUSHING(P), INSULATING
1pc	4-200-407-01	s	HOLDER, IC
2pcs	4-201-023-01	s	SPACER, INSULATING
7pcs	4-382-854-11	s	SCREW, +PSW M3X10 (EP-FE/ZNBK/CM)
C001	1-162-970-11	s	CAPACITOR CERAMIC 0.01MF/25V B
C003	1-164-227-11	s	CAPACITOR, CERAMIC 0.022MF/25V
C004	1-162-918-11	s	CAPACITOR, CERAMIC 18PF/50V CH
C005	1-162-918-11	s	CAPACITOR, CERAMIC 18PF/50V CH
C006	1-107-826-11	s	CAPACITOR, CHIP CERAMIC 0.1MF
C008	1-126-933-11	s	CAPACITOR, ELECT 100MF/16V
C011	1-107-826-11	s	CAPACITOR, CHIP CERAMIC 0.1MF
C012	1-164-227-11	s	CAPACITOR, CERAMIC 0.022MF/25V
C013	1-162-970-11	s	CAPACITOR CERAMIC 0.01MF/25V B
C015	1-136-165-00	s	CAPACITOR, FILM 0.1MF/50V (PP)
C016	1-107-826-11	s	CAPACITOR, CHIP CERAMIC 0.1MF
C017	1-107-826-11	s	CAPACITOR, CHIP CERAMIC 0.1MF
C018	1-107-826-11	s	CAPACITOR, CHIP CERAMIC 0.1MF
C019	1-125-838-11	s	CAPACITOR, CERAMIC 2.2MF/6.3V
C020	1-162-968-11	s	CAPACITOR, CERAMIC 4700PF/50V B
C021	1-109-982-11	s	CAPACITOR, CHIP CERAMIC 1MF/10V
C022	1-162-968-11	s	CAPACITOR, CERAMIC 4700PF/50V B
C023	1-164-227-11	s	CAPACITOR, CERAMIC 0.022MF/25V
C024	1-164-227-11	s	CAPACITOR, CERAMIC 0.022MF/25V
C025	1-127-715-11	s	CAPACITOR, CERAMIC 0.22MF B1608
C026	1-107-826-11	s	CAPACITOR, CHIP CERAMIC 0.1MF
C027	1-162-962-11	s	CAPACITOR, CERAMIC 470PF/50V(B)
C028	1-162-964-11	s	CAPACITOR, CERAMIC 1000PF/50V B
C029	1-126-935-11	s	CAPACITOR, ELECT 470MF/16V
C030	1-126-926-11	s	CAPACITOR, ELECT 1000MF/10V
C031	1-126-963-11	s	CAPACITOR, ELECT 4.7MF/50V
C032	1-126-935-11	s	CAPACITOR, ELECT 470MF/16V
C033	1-126-933-11	s	CAPACITOR, ELECT 100MF/16V
C034	1-162-970-11	s	CAPACITOR CERAMIC 0.01MF/25V B
C035	1-162-970-11	s	CAPACITOR CERAMIC 0.01MF/25V B
C036	1-107-826-11	s	CAPACITOR, CHIP CERAMIC 0.1MF
C037	1-126-935-11	s	CAPACITOR, ELECT 470MF/16V
C038	1-126-933-11	s	CAPACITOR, ELECT 100MF/16V
C040	1-126-933-11	s	CAPACITOR, ELECT 100MF/16V
C041	1-126-933-11	s	CAPACITOR, ELECT 100MF/16V
C043	1-162-970-11	s	CAPACITOR CERAMIC 0.01MF/25V B
C044	1-126-961-11	s	CAPACITOR, ELECT 2.2MF/50V
C045	1-162-960-11	s	CAPACITOR, CERAMIC 220PF/50V(B)
C046	1-162-964-11	s	CAPACITOR, CERAMIC 1000PF/50V B
C047	1-126-963-11	s	CAPACITOR, ELECT 4.7MF/50V
C048	1-125-891-11	s	CAPACITOR CERAMIC 0.47MF/10V
C049	1-107-826-11	s	CAPACITOR, CHIP CERAMIC 0.1MF
C050	1-107-826-11	s	CAPACITOR, CHIP CERAMIC 0.1MF
C051	1-107-823-11	s	CAPACITOR, CERAMIC 0.47MF/16V
C052	1-107-823-11	s	CAPACITOR, CERAMIC 0.47MF/16V
C053	1-125-891-11	s	CAPACITOR CERAMIC 0.47MF/10V
C054	1-107-826-11	s	CAPACITOR, CHIP CERAMIC 0.1MF
C055	1-162-970-11	s	CAPACITOR CERAMIC 0.01MF/25V B
C056	1-162-970-11	s	CAPACITOR CERAMIC 0.01MF/25V B
C057	1-162-970-11	s	CAPACITOR CERAMIC 0.01MF/25V B
C058	1-162-970-11	s	CAPACITOR CERAMIC 0.01MF/25V B
C059	1-162-970-11	s	CAPACITOR CERAMIC 0.01MF/25V B
C060	1-162-970-11	s	CAPACITOR CERAMIC 0.01MF/25V B
C061	1-162-970-11	s	CAPACITOR CERAMIC 0.01MF/25V B

## (A BOARD (FOR 20 INCH))

Ref. No. or Q'ty	Part No.	SP	Description
C062	1-164-245-11	s	CAPACITOR, CERAMIC 0.015MF/25V
C063	1-107-826-11	s	CAPACITOR, CHIP CERAMIC 0.1MF
C064	1-162-970-11	s	CAPACITOR CERAMIC 0.01MF/25V B
C065	1-162-970-11	s	CAPACITOR CERAMIC 0.01MF/25V B
C066	1-162-970-11	s	CAPACITOR CERAMIC 0.01MF/25V B
C067	1-162-970-11	s	CAPACITOR CERAMIC 0.01MF/25V B
C068	1-162-970-11	s	CAPACITOR CERAMIC 0.01MF/25V B
C101	1-162-970-11	s	CAPACITOR CERAMIC 0.01MF/25V B
C102	1-107-635-11	s	CAPACITOR, ELECT 4.7MF/160V
C301	1-126-963-11	s	CAPACITOR, ELECT 4.7MF/50V
C302	1-162-967-11	s	CAPACITOR, CERAMIC 3300PF/50V B
C312	1-126-964-11	s	CAPACITOR, ELECT 10MF/50V
C333	1-107-826-11	s	CAPACITOR, CHIP CERAMIC 0.1MF
C334	1-107-826-11	s	CAPACITOR, CHIP CERAMIC 0.1MF
C341	1-161-830-00	s	CAPACITOR, CERAMIC; 4700PF/500V
C376	1-162-927-11	s	CAPACITOR, CERAMIC 100PF/50V CH
C377	1-162-927-11	s	CAPACITOR, CERAMIC 100PF/50V CH
C378	1-162-970-11	s	CAPACITOR CERAMIC 0.01MF/25V B
C379	1-162-970-11	s	CAPACITOR CERAMIC 0.01MF/25V B
C380	1-162-927-11	s	CAPACITOR, CERAMIC 100PF/50V CH
C385	1-162-964-11	s	CAPACITOR, CERAMIC 1000PF/50V B
C386	1-162-964-11	s	CAPACITOR, CERAMIC 1000PF/50V B
C387	1-126-965-11	s	CAPACITOR, ELECT 22MF/50V
C388	1-165-176-11	s	CAPACITOR, CERAMIC 47000PF/16V
C389	1-162-927-11	s	CAPACITOR, CERAMIC 100PF/50V CH
C500	1-165-441-81	s	CAPACITOR, ELECT 33MF/160V
C501	1-117-841-31	s	CAPACITOR, METALIZED PP FILM 11000PF
C502	1-130-336-11	s	CAPACITOR FILM 0.0068MF/630V
C503	1-162-116-00	s	CAPACITOR, CERAMIC 680PF/2KVDC
C504	1-162-116-00	s	CAPACITOR, CERAMIC 680PF/2KVDC
C505	1-137-350-11	s	CAPACITOR FILM 0.015MF/100V
C507	1-117-674-11	s	CAP, PP FILM (S) 1.8MF/200V
C508	1-102-228-00	s	CAPACITOR, CERAMIC; 470PF/500V
C509	1-107-943-11	s	CAPACITOR, ELECT 10MF/160V
C510	1-107-846-11	s	CAPACITOR FILM 0.10MF/400V(S)
C511	1-106-371-00	s	CAPACITOR FILM 0.015MF/200V
C512	1-102-228-00	s	CAPACITOR, CERAMIC; 470PF/500V
C514	1-107-901-11	s	CAPACITOR, ELECT 0.47MF/50V(105
C517	1-130-336-11	s	CAPACITOR FILM 6800PF/630V
C518	1-137-479-11	s	CAPASITOR FILM 1MF/400V
C519	1-137-350-11	s	CAPACITOR FILM 0.015MF/100V
C521	1-126-964-11	s	CAPACITOR, ELECT 10MF/50V
C522	1-162-965-11	s	CAPACITOR, CERAMIC; 470PF/50V B
C523	1-115-350-51	s	CAPACITOR, CERAMIC 4700PF F
C551	1-126-968-11	s	CAPACITOR, ELECT 100MF/50V
C552	1-137-401-11	s	CAPACITOR, FILM 0.22MF/100V
C553	1-104-709-11	s	CAPACITOR, ELECT 4.7MF/160V
C554	1-162-964-11	s	CAPACITOR, CERAMIC 1000PF/50V B
C555	1-126-967-11	s	CAPACITOR, ELECT 47MF/50V
C556	1-126-965-11	s	CAPACITOR, ELECT 22MF/50V
C557	1-162-964-11	s	CAPACITOR, CERAMIC 1000PF/50V B
C559	1-115-339-11	s	CAPACITOR, CERAMIC 0.1MF/50V
C601	△ 1-165-437-11	s	CAPACITOR, PP FILM 0.22MF
C602	△ 1-165-437-11	s	CAPACITOR, PP FILM 0.22MF
C603	△ 1-113-907-51	s	CAPACITOR, CERAMIC 2200PF/250V
C604	1-164-156-11	s	CAPACITOR, CERAMIC 0.1MF/25V F
C605	△ 1-113-907-51	s	CAPACITOR, CERAMIC 2200PF/250V
C606	1-126-947-11	s	CAPACITOR, ELECT 47MF/35V
C607	△ 1-165-437-11	s	CAPACITOR, PP FILM 0.22MF

## (A BOARD (FOR 20 INCH))

Ref. No. or Q'ty	Part No.	SP	Description
C608	1-113-907-51	s	CAPACITOR, CERAMIC 2200PF/250V
C609	1-113-907-51	s	CAPACITOR, CERAMIC 2200PF/250V
C610	1-113-907-51	s	CAPACITOR, CERAMIC 2200PF/250V
C611	1-113-907-51	s	CAPACITOR, CERAMIC 2200PF/250V
C612	△ 1-117-753-11	s	CAPACITOR ELECT 470MF/450V
C614	1-104-574-11	s	CAPACITOR CERAMIC 4700PF/2KV
C616	1-126-947-11	s	CAPACITOR, ELECT 47MF/35V
C617	1-107-826-11	s	CAPACITOR,CHIP CERAMIC 0.1MF
C618	1-117-626-11	s	CAPACITOR FILM 2000PF/1600DC
C619	1-107-444-11	s	CAPACITOR,CERAMIC 100PF/2KVDC
C620	1-104-665-11	s	CAPACITOR, ELECT 100MF/25V
C621	1-100-657-91	s	CAPACITOR CERAMIC 470PF/2KV
C622	1-162-962-11	s	CAPACITOR,CERAMIC 470PF/50V(B)
C623	1-130-471-00	s	CAPACITOR FILM 0.001MF/50V PET
C624	1-165-176-11	s	CAPACITOR,CERAMIC 47000PF/16V
C650	△ 1-113-903-11	s	CAPACITOR,CERAMIC 0.001MF/250V
C651	1-104-999-11	s	CAPACITOR FILM 0.1MF/200V PETP
C652	1-107-655-11	s	CAPASITOR ERECT 47MF/250V
C653	1-125-494-11	s	CAPACITOR,ELECT 560MF/160V
C655	1-107-648-91	s	CAPACITOR ELECT 100MF/200V
C656	1-126-943-11	s	CAPACITOR,ELECT 2200MF/25V
C657	1-126-943-11	s	CAPACITOR,ELECT 2200MF/25V
C658	1-126-768-11	s	CAPACITOR,ELECT 2200MF/16V
C659	1-111-066-11	s	CAPACITOR,ELECT 820MF/25V 105
C660	1-126-942-61	s	CAPACITOR,ELECT 1000MF/25V
C661	1-104-665-11	s	CAPACITOR, ELECT 100MF/25V
C662	1-107-914-11	s	CAPACITOR,ELECT 1000MF/50V
C663	1-126-935-11	s	CAPACITOR,ELECT 470MF/16V
C664	1-107-826-11	s	CAPACITOR,CHIP CERAMIC 0.1MF
C665	1-107-826-11	s	CAPACITOR,CHIP CERAMIC 0.1MF
C666	1-126-935-11	s	CAPACITOR,ELECT 470MF/16V
C667	1-107-826-11	s	CAPACITOR,CHIP CERAMIC 0.1MF
C668	1-107-826-11	s	CAPACITOR,CHIP CERAMIC 0.1MF
C669	1-126-964-11	s	CAPACITOR, ELECT 10MF/50V
C670	1-126-965-11	s	CAPACITOR,ELECT 22MF/50V
C671	1-128-528-11	s	CAPACITOR,ELECT 470MF/25V
C672	1-126-935-11	s	CAPACITOR,ELECT 470MF/16V
C1453	1-162-117-00	s	CAPACITOR,CERAMIC 100PF/500V B
C1461	1-164-230-11	s	CAPACITOR,CERAMIC 220PF/50V
C1462	1-162-927-11	s	CAPACITOR,CERAMIC 100PF/50V CH
C1463	1-162-927-11	s	CAPACITOR,CERAMIC 100PF/50V CH
C1464	1-115-339-11	s	CAPACITOR,CERAMIC 0.1MF/50V
C1465	1-115-339-11	s	CAPACITOR,CERAMIC 0.1MF/50V
C1466	1-115-339-11	s	CAPACITOR,CERAMIC 0.1MF/50V
C1467	1-163-021-91	s	CAPACITOR, CERAMIC 0.01MF/50V
C1468	1-162-117-00	s	CAPACITOR,CERAMIC 100PF/500V B
C1471	1-162-964-11	s	CAPACITOR,CERAMIC 1000PF/50V B
C1481	1-162-964-11	s	CAPACITOR,CERAMIC 1000PF/50V B
C1486	1-162-927-11	s	CAPACITOR,CERAMIC 100PF/50V CH
C1488	1-126-964-11	s	CAPACITOR, ELECT 10MF/50V
C3501	1-107-714-11	s	CAPACITOR, ELECT 10MF/50V(BP)
C3502	1-107-905-11	s	CAPACITOR, ELECT 4.7MF/50V
C3503	1-126-963-11	s	CAPACITOR, ELECT 4.7MF/50V
C3504	1-107-905-11	s	CAPACITOR,ELECT 4.7MF/50V
C3505	1-162-968-11	s	CAPACITOR,CERAMIC 4700PF/50V B
C3506	1-126-964-11	s	CAPACITOR, ELECT 10MF/50V
C3507	1-165-176-11	s	CAPACITOR,CERAMIC 47000PF/16V
C3510	1-104-665-11	s	CAPACITOR, ELECT 100MF/25V
C3511	1-126-964-11	s	CAPACITOR, ELECT 10MF/50V

## (A BOARD (FOR 20 INCH))

Ref. No. or Q'ty	Part No.	SP	Description
CLP101	4-042-408-01	o	PIN, COATING LEAD
CN001	1-564-508-11	o	PLUG,CONNECTOR (5P)
CN002	1-564-511-11	o	PLUG,CONNECTOR (8P)
CN003	1-564-515-11	o	PLUG,CONNECTOR (12P)
CN004	1-564-510-11	o	PLUG,CONNECTOR (7P)
CN501	1-580-798-11	o	CONNECTOR PIN (DY) 6P
CN502	1-691-096-11	o	PIN,CONNECTOR (PC BOARD) 8P
CN503	1-695-915-11	s	TAB (CONTACT)
CN601	△ 1-580-843-11	o	PIN,CONNECTOR(POWER)
CN602	△ 1-508-765-23	o	PIN, CONNECTOR (5MM PITCH) 3P
CN3502	1-564-506-11	o	PLUG,CONNECTOR (3P)
D004	8-719-036-94	s	DIODE RD5.6SB-T1
D006	8-719-083-58	s	DIODE UDZSTE-173.9B
D009	6-500-028-01	s	DIODE MM3Z9V1ST1
D010	8-719-036-94	s	DIODE RD5.6SB-T1
D011	8-719-036-94	s	DIODE RD5.6SB-T1
D012	6-500-028-01	s	DIODE MM3Z9V1ST1
D014	8-719-036-94	s	DIODE RD5.6SB-T1
D017	8-719-991-33	s	DIODE 1SS133T-77
D018	8-719-073-01	s	DIODE MA111-(K8).S0
D019	8-719-073-01	s	DIODE MA111-(K8).S0
D020	8-719-073-01	s	DIODE MA111-(K8).S0
D021	8-719-073-01	s	DIODE MA111-(K8).S0
D022	8-719-073-01	s	DIODE MA111-(K8).S0
D023	8-719-073-01	s	DIODE MA111-(K8).S0
D102	8-719-037-16	s	DIODE RD10SB2-T1
D103	8-719-302-43	s	DIODE EL1Z (RECTI)
D301	8-719-110-49	s	DIODE RD18ES-B2
D302	8-719-302-43	s	DIODE EL1Z (RECTI)
D312	8-719-073-01	s	DIODE MA111-(K8).S0
D313	8-719-073-01	s	DIODE MA111-(K8).S0
D314	8-719-073-01	s	DIODE MA111-(K8).S0
D315	8-719-073-01	s	DIODE MA111-(K8).S0
D501	8-719-033-83	s	DIODE ERD07-15
D502	8-719-048-23	s	DIODE UF5408
D503	8-719-908-03	s	DIODE GP08D
D504	8-719-908-03	s	DIODE GP08D
D505	8-719-036-94	s	DIODE RD5.6SB-T1
D506	8-719-073-01	s	DIODE MA111-(K8).S0
D509	8-719-028-72	s	DIODE RGP02-17EL-6433
D551	8-719-908-03	s	DIODE GP08D
D552	8-719-036-94	s	DIODE RD5.6SB-T1
D601	△ 8-719-510-53	s	DIODE D4SB60L
D605	8-719-073-01	s	DIODE MA111-(K8).S0
D606	8-719-073-01	s	DIODE MA111-(K8).S0
D607	8-719-033-53	s	DIODE RD6.8SB2-T1
D608	8-719-109-85	s	DIODE RD5.1ES-B2
D609	8-719-510-02	s	DIODE D1NS4
D610	8-719-063-70	s	DIODE D1NL20U
D611	8-719-063-70	s	DIODE D1NL20U
D612	8-719-063-70	s	DIODE D1NL20U
D613	8-719-311-31	s	DIODE RU-1P
D614	8-719-051-96	s	DIODE FMG-G2CS
D615	8-719-312-10	s	DIODE RU4AM-T3
D616	8-719-058-38	s	DIODE FMN-G12S
D617	8-719-058-38	s	DIODE FMN-G12S
D618	8-719-058-38	s	DIODE FMN-G12S
D619	8-719-071-38	s	DIODE D5S6M

## (A BOARD (FOR 20 INCH))

Ref. No. or Q'ty	Part No.	SP	Description
D621	8-719-110-41	s	DIODE RD15ES-B2
D622	8-719-110-09	s	DIODE RD8.2ES-B3
D623	8-719-073-01	s	DIODE MA111-(K8).S0
D625	8-719-033-53	s	DIODE RD6.8SB2-T1
D626	8-719-068-00	s	DIODE ERC04-06SE
D627	8-719-068-00	s	DIODE ERC04-06SE
D628	8-719-063-70	s	DIODE D1NL20U
D656	8-719-046-66	s	LED SLR-56MC3F
F601	▲ 1-576-231-11	s	FUSE(H.B.C) (4A/250V)
FB001	1-410-397-21	s	FERRITE BEAD INDUCTOR
FB101	1-216-295-91	s	CONDUCTOR, CHIP (2012)
FB102	1-216-295-91	s	CONDUCTOR, CHIP (2012)
FB103	1-216-295-91	s	CONDUCTOR, CHIP (2012)
FB104	1-216-295-91	s	CONDUCTOR, CHIP (2012)
FB105	1-216-295-91	s	CONDUCTOR, CHIP (2012)
FB601	1-412-911-11	s	INDUCTOR,FERRITE BEAD
FB603	1-412-911-11	s	INDUCTOR,FERRITE BEAD
FB605	1-412-911-11	s	INDUCTOR,FERRITE BEAD
FH601	1-533-223-11	s	CLIP,FUSE
FH602	1-533-223-11	s	CLIP,FUSE
IC001	6-803-550-01	s	IC TDA9394H/NL/5/1179.518
IC002	8-759-672-39	s	IC PST573IMT
IC003	8-759-575-72	s	IC M24C08-WMN6T
IC004	8-759-666-90	s	IC TDA9181T
IC551	8-759-339-59	s	IC TDA8177
IC552	8-759-145-58	s	IC UPC4558C
IC601	8-749-016-43	s	IC STR-F6653-LF1351
IC602	8-759-700-07	s	IC NJM2903M
IC651	8-749-921-89	s	IC SE115N (HYBRID)
IC652	8-759-450-47	s	IC BA05T
IC653	8-759-445-59	s	IC BA033T
IC654	8-759-450-50	s	IC BA08T
IC3501	6-700-688-01	s	IC AN5278
JR1	1-216-295-91	s	CONDUCTOR, CHIP (2012)
JR2	1-216-295-91	s	CONDUCTOR, CHIP (2012)
JR3	1-216-295-91	s	CONDUCTOR, CHIP (2012)
JR5	1-216-295-91	s	CONDUCTOR, CHIP (2012)
JR7	1-216-295-91	s	CONDUCTOR, CHIP (2012)
JR10	1-216-295-91	s	CONDUCTOR, CHIP (2012)
JR11	1-216-295-91	s	CONDUCTOR, CHIP (2012)
JR12	1-216-295-91	s	CONDUCTOR, CHIP (2012)
JR13	1-216-295-91	s	CONDUCTOR, CHIP (2012)
JR14	1-216-295-91	s	CONDUCTOR, CHIP (2012)
JR15	1-216-295-91	s	CONDUCTOR, CHIP (2012)
JR16	1-216-295-91	s	CONDUCTOR, CHIP (2012)
JR17	1-216-295-91	s	CONDUCTOR, CHIP (2012)
JR19	1-216-295-91	s	CONDUCTOR, CHIP (2012)
JR20	1-216-295-91	s	CONDUCTOR, CHIP (2012)
JR22	1-216-295-91	s	CONDUCTOR, CHIP (2012)
JR23	1-216-295-91	s	CONDUCTOR, CHIP (2012)
JR24	1-216-295-91	s	CONDUCTOR, CHIP (2012)
JR28	1-216-295-91	s	CONDUCTOR, CHIP (2012)
JR32	1-216-295-91	s	CONDUCTOR, CHIP (2012)
L002	1-412-533-21	s	MICRO INDUCTOR 47UH
L003	1-412-533-21	s	MICRO INDUCTOR 47UH
L005	1-412-533-21	s	MICRO INDUCTOR 47UH
L006	1-412-541-41	s	MICRO INDUCTOR 220UH
L007	1-412-537-31	s	INDUCTOR,MICRO 100UH

## (A BOARD (FOR 20 INCH))

Ref. No. or Q'ty	Part No.	SP	Description
L501	1-406-976-11	s	COIL, CHOKE 68UH
L502	1-412-527-11	s	MICRO INDUCTOR 15UH
L503	1-412-553-11	s	INDUCTOR,MICRO 3.3MH
L504	1-459-104-00	s	COIL,DUST CORE
L505	1-459-769-13	s	COIL,HOLIZONTAL LINEALITY
L506	1-406-976-11	s	COIL,CHOKE 68UH
L507	1-406-976-11	s	COIL,CHOKE 68UH
L510	1-407-365-00	s	CHOKE COIL,RF
L551	1-459-104-00	s	COIL,DUST CORE
L601	▲ 1-419-653-11	s	COIL, CHOKE 56MMH
L602	1-406-661-11	s	COIL CHOKE 22UH
L603	1-406-661-11	s	COIL CHOKE 22UH
L604	1-406-663-21	s	COIL CHOKE 47UH
L650	1-414-189-31	s	INDUCTOR 100UH
NL501	1-517-778-21	s	LAMP, NEON
PH601	▲ 8-749-016-81	s	PHOTO COUPLER PC123Y22
Q001	8-729-120-28	s	TRANSISTOR 2SC1623-L5L6
Q002	8-729-026-49	s	TRANSISTOR 2SA1037AK-T146-R
Q003	8-729-026-49	s	TRANSISTOR 2SA1037AK-T146-R
Q005	8-729-027-43	s	TRANSISTOR DTC114EKA-T146
Q102	8-729-120-28	s	TRANSISTOR 2SC1623-L5L6
Q301	8-729-120-28	s	TRANSISTOR 2SC1623-L5L6
Q314	1-801-806-11	s	TRANSISTOR DTC144EKA
Q315	8-729-027-38	s	TRANSISTOR DTA144EKA-T146
Q316	1-801-806-11	s	TRANSISTOR DTC144EKA
Q317	8-729-120-28	s	TRANSISTOR 2SC1623-L5L6
Q501	8-729-048-07	s	TRANSISTOR 2SD2578-CA
Q502	8-729-140-50	s	TRANSISTOR 2SC3209LK
Q551	8-729-313-42	s	TRANSISTOR 2SD1134
Q602	8-729-120-28	s	TRANSISTOR 2SC1623-L5L6
Q603	8-729-029-92	s	TRANSISTOR DTC143ESA
Q604	8-729-141-89	s	TRANSISTOR 2SD1585-LK
Q605	8-729-140-96	s	TRANSISTOR 2SD774-34
Q606	8-729-200-17	s	TRANSISTOR 2SA1091-0
Q607	8-729-026-49	s	TRANSISTOR 2SA1037AK-T146-R
Q608	8-729-027-55	s	TRANSISTOR DTC143EKA-T146
Q609	8-729-120-28	s	TRANSISTOR 2SC1623-L5L6
Q610	8-729-120-28	s	TRANSISTOR 2SC1623-L5L6
Q611	8-729-120-28	s	TRANSISTOR 2SC1623-L5L6
Q3501	8-729-422-33	s	TRANSISTOR 2SD601A-Q-TX
Q3503	8-729-120-28	s	TRANSISTOR 2SC1623-L5L6
R001	1-216-809-11	s	RESISTOR,CHIP 100 1/10W 1608
R002	1-216-809-11	s	RESISTOR,CHIP 100 1/10W 1608
R003	1-216-809-11	s	RESISTOR,CHIP 100 1/10W 1608
R004	1-216-827-11	s	RESISTOR, CHIP 3.3K 1/10W 1608
R005	1-216-827-11	s	RESISTOR, CHIP 3.3K 1/10W 1608
R006	1-219-570-11	s	RESISTOR,CHIP 10M 1/16W
R007	1-216-809-11	s	RESISTOR,CHIP 100 1/10W 1608
R008	1-216-809-11	s	RESISTOR,CHIP 100 1/10W 1608
R009	1-216-809-11	s	RESISTOR,CHIP 100 1/10W 1608
R010	1-216-809-11	s	RESISTOR,CHIP 100 1/10W 1608
R011	1-216-809-11	s	RESISTOR,CHIP 100 1/10W 1608
R012	1-216-821-11	s	RESISTOR,CHIP 1.0K 1/10W(1608)
R014	1-219-570-11	s	RESISTOR,CHIP 10M 1/16W
R015	1-216-861-11	s	RESISTOR,CHIP 2.2M 1/16W 1608
R016	1-216-857-11	s	RESISTOR,CHIP 1M 1/10W(1608)
R017	1-218-899-11	s	RESISTOR,CHIP 150K 1/10W(1608)

## (A BOARD (FOR 20 INCH))

Ref. No. or Q'ty	Part No.	SP	Description
R018	1-216-829-11	s	RESISTOR,CHIP 4.7K 1/10W(1608)
R019	1-216-838-11	s	RESISTOR CHIP 27K 1/10W(1608)
R020	1-216-813-11	s	RESISTOR, CHIP 220 1/10W 1608
R021	1-216-809-11	s	RESISTOR,CHIP 100 1/10W 1608
R022	1-216-829-11	s	RESISTOR,CHIP 4.7K 1/10W(1608)
R023	1-216-809-11	s	RESISTOR,CHIP 100 1/10W 1608
R024	1-216-829-11	s	RESISTOR,CHIP 4.7K 1/10W(1608)
R025	1-216-809-11	s	RESISTOR,CHIP 100 1/10W 1608
R026	1-218-823-11	s	RESISTOR,CHIP 100 1/10W (1608)
R027	1-216-840-11	s	RESISTOR,CHIP 39K 1/10W 1608
R028	1-216-835-11	s	RESISTOR,CHIP 15K 1/10W
R029	1-218-862-11	s	RESISTOR,CHIP 4.3K 1/10W(1608)
R030	1-216-809-11	s	RESISTOR,CHIP 100 1/10W 1608
R031	1-216-841-11	s	RESISTOR, CHIP 47K 1/10W 1608
R032	1-218-831-11	s	RESISTOR, CHIP 220 1/10W(1608)
R033	1-218-871-11	s	RESISTOR,CHIP 10K 1/10W (1608)
R034	1-218-875-11	s	RESISTOR,CHIP 15K 1/10W (1608)
R035	1-218-859-11	s	RESISTOR,CHIP 3.3K 1/10W(1608)
R036	1-218-867-11	s	RESISTOR,CHIP 6.8K 1/10W(1608)
R037	1-216-864-11	s	CONDUCTOR, CHIP (1608)
R038	1-218-851-11	s	RESISTOR,CHIP 1.5K 1/10W(1608)
R039	1-216-833-11	s	RESISTOR,CHIP 10K 1/10W (1608)
R040	1-216-809-11	s	RESISTOR,CHIP 100 1/10W 1608
R041	1-218-867-11	s	RESISTOR,CHIP 6.8K 1/10W(1608)
R042	1-216-833-11	s	RESISTOR,CHIP 10K 1/10W (1608)
R043	1-216-864-11	s	CONDUCTOR, CHIP (1608)
R044	1-216-821-11	s	RESISTOR,CHIP 1.0K 1/10W(1608)
R045	1-216-864-11	s	CONDUCTOR, CHIP (1608)
R046	1-216-809-11	s	RESISTOR,CHIP 100 1/10W 1608
R047	1-216-829-11	s	RESISTOR,CHIP 4.7K 1/10W(1608)
R048	1-216-833-11	s	RESISTOR,CHIP 10K 1/10W (1608)
R049	1-216-809-11	s	RESISTOR,CHIP 100 1/10W 1608
R050	1-216-861-11	s	RESISTOR,CHIP 2.2M 1/16W 1608
R051	1-216-809-11	s	RESISTOR,CHIP 100 1/10W 1608
R052	1-218-851-11	s	RESISTOR,CHIP 1.5K 1/10W(1608)
R053	1-218-851-11	s	RESISTOR,CHIP 1.5K 1/10W(1608)
R054	1-216-809-11	s	RESISTOR,CHIP 100 1/10W 1608
R055	1-216-829-11	s	RESISTOR,CHIP 4.7K 1/10W(1608)
R056	1-216-829-11	s	RESISTOR,CHIP 4.7K 1/10W(1608)
R057	1-216-833-11	s	RESISTOR,CHIP 10K 1/10W (1608)
R058	1-216-809-11	s	RESISTOR,CHIP 100 1/10W 1608
R059	1-216-809-11	s	RESISTOR,CHIP 100 1/10W 1608
R060	1-216-809-11	s	RESISTOR,CHIP 100 1/10W 1608
R061	1-216-861-11	s	RESISTOR,CHIP 2.2M 1/16W 1608
R062	1-218-839-11	s	RESISTOR,CHIP 470 1/10W (1608)
R063	1-218-839-11	s	RESISTOR,CHIP 470 1/10W (1608)
R064	1-218-839-11	s	RESISTOR,CHIP 470 1/10W (1608)
R065	1-218-851-11	s	RESISTOR,CHIP 1.5K 1/10W(1608)
R066	1-216-829-11	s	RESISTOR,CHIP 4.7K 1/10W(1608)
R067	1-216-809-11	s	RESISTOR,CHIP 100 1/10W 1608
R068	1-216-833-11	s	RESISTOR,CHIP 10K 1/10W (1608)
R069	1-216-833-11	s	RESISTOR,CHIP 10K 1/10W (1608)
R070	1-216-833-11	s	RESISTOR,CHIP 10K 1/10W (1608)
R071	1-216-809-11	s	RESISTOR,CHIP 100 1/10W 1608
R072	1-216-809-11	s	RESISTOR,CHIP 100 1/10W 1608
R073	1-218-835-11	s	RESISTOR,CHIP 330 1/10W (1608)
R074	1-216-809-11	s	RESISTOR,CHIP 100 1/10W 1608
R076	1-216-833-11	s	RESISTOR,CHIP 10K 1/10W (1608)
R077	1-216-829-11	s	RESISTOR,CHIP 4.7K 1/10W(1608)

## (A BOARD (FOR 20 INCH))

Ref. No. or Q'ty	Part No.	SP	Description
R078	1-216-809-11	s	RESISTOR,CHIP 100 1/10W 1608
R079	1-216-837-11	s	RESISTOR,CHIP 22K 1/16W 1608
R082	1-216-809-11	s	RESISTOR,CHIP 100 1/10W 1608
R083	1-216-809-11	s	RESISTOR,CHIP 100 1/10W 1608
R084	1-216-809-11	s	RESISTOR,CHIP 100 1/10W 1608
R085	1-216-809-11	s	RESISTOR,CHIP 100 1/10W 1608
R086	1-216-809-11	s	RESISTOR,CHIP 100 1/10W 1608
R087	1-216-809-11	s	RESISTOR,CHIP 100 1/10W 1608
R088	1-216-809-11	s	RESISTOR,CHIP 100 1/10W 1608
R089	1-216-809-11	s	RESISTOR,CHIP 100 1/10W 1608
R091	1-216-809-11	s	RESISTOR,CHIP 100 1/10W 1608
R094	1-216-821-11	s	RESISTOR,CHIP 1.0K 1/10W(1608)
R096	1-216-829-11	s	RESISTOR,CHIP 4.7K 1/10W(1608)
R097	1-216-809-11	s	RESISTOR,CHIP 100 1/10W 1608
R101	1-218-907-11	s	RESISTOR,CHIP 330K 1/10W(1608)
R107	1-218-895-11	s	RESISTOR,CHIP 100K 1/10W(1608)
R108	1-218-908-11	s	RESISTOR,CHIP 360K 1/10W(1608)
R110	1-218-905-11	s	RESISTOR,CHIP 270K 1/10W(1608)
R301	1-216-809-11	s	RESISTOR,CHIP 100 1/10W 1608
R302	1-218-871-11	s	RESISTOR,CHIP 10K 1/10W (1608)
R303	1-218-871-11	s	RESISTOR,CHIP 10K 1/10W (1608)
R304	1-216-809-11	s	RESISTOR,CHIP 100 1/10W 1608
R305	1-216-809-11	s	RESISTOR,CHIP 100 1/10W 1608
R306	1-216-833-11	s	RESISTOR,CHIP 10K 1/10W (1608)
R307	1-216-833-11	s	RESISTOR,CHIP 10K 1/10W (1608)
R308	1-216-809-11	s	RESISTOR,CHIP 100 1/10W 1608
R311	1-216-833-11	s	RESISTOR,CHIP 10K 1/10W (1608)
R315	1-216-833-11	s	RESISTOR,CHIP 10K 1/10W (1608)
R316	1-216-833-11	s	RESISTOR,CHIP 10K 1/10W (1608)
R317	1-216-833-11	s	RESISTOR,CHIP 10K 1/10W (1608)
R318	1-216-829-11	s	RESISTOR,CHIP 4.7K 1/10W(1608)
R325	1-214-921-81	s	RESISTOR,METAL FILM 220K 1/2W
R326	1-214-882-81	s	RESISTOR,METAL FILM 5.6K 1/2W
R393	1-249-393-11	s	RES,CARBON 10 1/4W
R394	1-216-797-11	s	RESISTOR,CHIP 10 1/10W 1608
R501	1-216-828-11	s	RESISTOR, CHIP 3.9K 1/10W 1608
R502	1-216-832-11	s	RESISTOR,CHIP 8.2K 1/16W 1608
R503	1-215-920-11	s	RESISTOR,METAL FILM 3.3K 3W
R504	1-215-920-11	s	RESISTOR,METAL FILM 3.3K 3W
R506	1-260-329-51	s	RESISTOR,CARBON 1.2K 1/2W
R507	1-216-423-11	s	RESISTOR,METAL FILM 27/1W
R508	1-215-858-00	s	METAL OXIDE 15 1W
R509	1-216-833-11	s	RESISTOR,CHIP 10K 1/10W (1608)
R512	1-218-883-11	s	RESISTOR,CHIP 33K 1/10W
R513	1-216-829-11	s	RESISTOR,CHIP 4.7K 1/10W(1608)
R514	1-215-870-11	s	RESISTOR,METAL FILM 1.5K/1W
R515	1-215-920-11	s	RESISTOR,METAL FILM 3.3K/3W
R551	1-215-867-00	s	RESISTOR,METAL FILM 470/1W
R552	1-216-445-11	s	RESISTOR,METAL FILM 12 2W
R553	1-216-675-11	s	RESISTOR,CHIP 10K 1/10W(2012)
R554	1-218-855-11	s	RESISTOR,CHIP 2.2K 1/10W(1608)
R555	1-215-882-00	s	RESISTOR,METAL OXIDE 22 2W
R556	1-260-294-11	s	RESISTOR CARBON 1.5 1/2W
R557	1-218-855-11	s	RESISTOR,CHIP 2.2K 1/10W(1608)
R558	1-216-675-11	s	RESISTOR,CHIP 10K 1/10W(2012)
R559	1-216-835-11	s	RESISTOR,CHIP 15K 1/10W
R560	1-216-849-11	s	RESISTOR,CHIP 220K 1/16W 1608
R561	1-249-392-11	s	RES,CARBON 8.2 1/4W
R562	1-216-670-11	s	RESISTOR,CHIP 6.2K 1/10W(2012)

## (A BOARD (FOR 20 INCH))

Ref. No. or Q'ty	Part No.	SP	Description
R563	1-216-675-11	s	RESISTOR,CHIP 10K 1/10W(2012)
R564	1-216-827-11	s	RESISTOR, CHIP 3.3K 1/10W 1608
R565	1-216-821-11	s	RESISTOR,CHIP 1.0K 1/10W(1608)
R569	1-216-857-11	s	RESISTOR,CHIP 1M 1/10W(1608)
R570	1-216-421-11	s	RESISTOR,METAL FILM 12 1W
R571	1-216-825-11	s	RESISTOR,CHIP 2.2K 1/10W 1608
R572	1-216-833-11	s	RESISTOR,CHIP 10K 1/10W (1608)
R601	△ 1-219-759-11	s	RESISTOR (SURGE RESISTANT) 1M
R602	△ 1-219-769-11	s	RESISTOR (SURGE) 3.3M/1/2W
R603	△ 1-219-769-11	s	RESISTOR (SURGE) 3.3M/1/2W
R604	1-216-845-11	s	RESISTOR,CHIP 100K 1/10W(1608)
R605	1-216-817-11	s	RESISTOR,CHIP 470 1/10W 1608
R607	1-216-833-11	s	RESISTOR,CHIP 10K 1/10W (1608)
R608	1-216-809-11	s	RESISTOR,CHIP 100 1/10W 1608
R609	1-218-861-11	s	RESISTOR,CHIP 3.9K 1/10W(1608)
R610	1-216-825-11	s	RESISTOR,CHIP 2.2K 1/10W 1608
R611	1-218-875-11	s	RESISTOR,CHIP 15K 1/10W (1608)
R612	1-218-855-11	s	RESISTOR,CHIP 2.2K 1/10W(1608)
R613	1-216-825-11	s	RESISTOR,CHIP 2.2K 1/10W 1608
R614	1-218-863-11	s	RESISTOR,CHIP 4.7K 1/10W(1608)
R615	1-245-478-21	s	ANTI SURGE RESISTOR 470K
R616	1-245-478-21	s	ANTI SURGE RESISTOR 470K
R617	1-219-134-11	s	RESISTOR,FUSE 0.1
R620	1-202-933-61	s	RESISTOR, FUSE 0.1 1/2W
R621	1-215-926-00	s	RESISTOR,METAL FILM 33K/3W
R622	1-215-926-00	s	RESISTOR,METAL FILM 33K/3W
R623	1-215-926-00	s	RESISTOR,METAL FILM 33K/3W
R624	1-247-843-11	s	RESISTOR CARBON (SMALL) 3.3K
R625	1-216-361-00	s	RESISTOR,METAL FILM 0.22/2W
R626	1-216-363-00	s	RESISTOR,METAL FILM 0.33/2W
R627	1-218-843-11	s	RESISTOR,CHIP 680 1/10W (1608)
R629	1-218-855-11	s	RESISTOR,CHIP 2.2K 1/10W(1608)
R630	1-249-396-11	s	RES,CARBON 18 1/4W
R631	1-215-929-11	s	RESISTOR,METAL FILM 100K/3W
R636	1-245-464-21	s	ANTI SURGE RESISTOR 120K
R637	1-245-464-21	s	ANTI SURGE RESISTOR 120K
R638	1-245-464-21	s	ANTI SURGE RESISTOR 120K
R639	1-216-833-11	s	RESISTOR,CHIP 10K 1/10W (1608)
R640	1-218-885-11	s	RESISTOR,CHIP 39K 1/10W (1608)
R651	1-216-825-11	s	RESISTOR,CHIP 2.2K 1/10W 1608
R652	1-216-821-11	s	RESISTOR,CHIP 1.0K 1/10W(1608)
R653	1-215-898-11	s	RESISTOR,METAL FILM 10K/2W
R654	1-202-933-61	s	RESISTOR, FUSE 0.1 1/2W
R656	1-249-381-11	s	RES,CARBON 1 (1/4W)
R657	1-249-381-11	s	RES,CARBON 1 (1/4W)
R658	1-249-409-11	s	RESISTOR,CARBON 220 1/4W SMALL
R659	1-249-413-11	s	RESISTOR,CARBON 470 1/4W SMALL
R660	1-212-857-00	s	RESISTOR,FUSE 10 1/4W
R661	1-216-390-11	s	RESISTOR,METAL FILM 1.2 3W
R662	1-218-849-11	s	RESISTOR,CHIP 1.2K 1/10W(1608)
R663	1-245-476-21	s	ANTI SURGE RESISTOR 390K
R664	1-218-895-11	s	RESISTOR,CHIP 100K 1/10W(1608)
R665	1-216-835-11	s	RESISTOR,CHIP 15K 1/10W
R666	1-218-871-11	s	RESISTOR,CHIP 10K 1/10W (1608)
R667	1-245-478-21	s	ANTI SURGE RESISTOR 470K
R668	1-249-417-11	s	RESISTOR,CARBON 1K 1/4W(SMALL)
R1419	1-216-809-11	s	RESISTOR,CHIP 100 1/10W 1608
R1420	1-216-809-11	s	RESISTOR,CHIP 100 1/10W 1608
R3501	1-216-829-11	s	RESISTOR,CHIP 4.7K 1/10W(1608)

## (A BOARD (FOR 20 INCH))

Ref. No. or Q'ty	Part No.	SP	Description
R3502	1-216-821-11	s	RESISTOR,CHIP 1.0K 1/10W(1608)
R3503	1-216-833-11	s	RESISTOR,CHIP 10K 1/10W (1608)
R3505	1-216-851-11	s	RESISTOR,CHIP 330K 1/16W 1608
R3506	1-218-866-11	s	RESISTOR,CHIP 6.2K 1/10W(1608)
R3507	1-216-834-11	s	RESISTOR,CHIP 12K 1/16W 1608
R3508	1-216-829-11	s	RESISTOR,CHIP 4.7K 1/10W(1608)
R3509	1-216-835-11	s	RESISTOR,CHIP 15K 1/10W
R3510	1-216-837-11	s	RESISTOR,CHIP 22K 1/16W 1608
R3512	1-216-813-11	s	RESISTOR, CHIP 220 1/10W 1608
R3513	1-216-833-11	s	RESISTOR,CHIP 10K 1/10W (1608)
R3514	1-216-821-11	s	RESISTOR,CHIP 1.0K 1/10W(1608)
RY603	△ 1-755-013-11	s	RELAY (12V)
S001	1-571-532-21	s	SWITCH,TACTILE
S002	1-571-532-21	s	SWITCH,TACTILE
S003	1-571-532-21	s	SWITCH,TACTILE
S004	1-571-532-21	s	SWITCH,TACTILE
S005	1-571-532-21	s	SWITCH,TACTILE
S006	1-571-532-21	s	SWITCH,TACTILE
S501	1-572-707-11	s	SWITCH,LEVER
S601	△ 1-571-433-21	s	SWITCH, PUSH (AC POWER)
SG501	1-519-422-11	s	GAP, SPARK
T501	△ 1-453-446-21	s	NX-4525//Z2A4
T502	1-437-090-31	s	TRANSFORMER,HDT
T601	△ 1-443-029-11	s	CONVERTER TRANSFORMER (SRT)
T603	△ 1-429-180-11	s	TRANSFORMER, LINE FILTER
THP601	△ 1-808-059-31	s	THERMISTOR,POSITIVE
VDR601	△ 1-803-830-31	s	VARISTOR (ERZV14D621)
X001	1-578-774-11	s	VIBRATOR, CRYSTAL (12MHz)

## C BOARD (FOR 14 INCH)

Ref. No. or Q'ty	Part No.	SP	Description
1pc	A-1405-326-A	s	MOUNTED CIRCUIT BOARD, C
1pc	4-382-854-11	s	SCREW,+PSW M3X10(EP-FE/ZNBK/CM
C701	1-136-189-71	s	CAP,METALIZED FILM 250V/0.1MF
C702	1-104-999-11	s	CAPACITOR FILM 0.1MF/200V PETP
C711	1-107-662-11	s	CAPACITOR, ELECT 22MF/350V
C712	1-107-649-11	s	CAP, ELECT 2.2MF/250V
C750	1-126-964-11	s	CAPACITOR, ELECT 10MF/50V
C751	1-137-372-11	s	CAPACITOR,PETP FILM 0.022
C752	1-136-189-71	s	CAP,METALIZED FILM 250V/0.1MF
C770	1-162-116-00	s	CAPACITOR,CERAMIC 680PF/2KVDC
C771	1-107-846-11	s	CAPACITOR FILM 0.10MF/400V(S)
C790	1-130-338-11	s	0APACITOR,FILM 0.01MF/630V(PP)
CN701	1-564-511-11	o	PLUG,CONNECTOR (8P)
CN720	1-695-915-11	s	TAB (CONTACT)
CN721	1-695-915-11	s	TAB (CONTACT)
CN722	1-695-915-11	s	TAB (CONTACT)
CN730	1-573-964-11	o	PIN,CONNECTOR(PC BOARD)6P
D701	8-719-901-83	s	DIODE 1SS83
D702	8-719-901-83	s	DIODE 1SS83
D703	8-719-901-83	s	DIODE 1SS83
D704	8-719-901-83	s	DIODE 1SS83
D750	8-719-991-33	s	DIODE 1SS133T-77
IC701	8-759-562-43	s	IC TDA6108JF/N1B
J701	1-526-819-11	s	SOCKET,CRT
L710	1-412-529-11	s	INDUCTOR,MICRO 22UH
R700	1-249-397-11	s	RES,CARBON 22 1/4W (SMALL)
R701	1-249-409-11	s	RESISTOR,CARBON 220 1/4W SMALL
R702	1-249-409-11	s	RESISTOR,CARBON 220 1/4W SMALL
R703	1-249-409-11	s	RESISTOR,CARBON 220 1/4W SMALL
R721	1-249-411-11	s	RES,CARBON 330 1/4W SMALL
R722	1-249-411-11	s	RES,CARBON 330 1/4W SMALL
R723	1-249-411-11	s	RES,CARBON 330 1/4W SMALL
R741	1-219-746-11	s	RESISTOR 1K 1/2W (SURGE)
R742	1-219-746-11	s	RESISTOR 1K 1/2W (SURGE)
R743	1-219-746-11	s	RESISTOR 1K 1/2W (SURGE)
R750	1-249-429-11	s	RESISTOR,CARBON(SMALL)10K 1/4W
R761	1-219-759-11	s	RESISTOR (SURGE RESISTANT) 1M
R770	1-216-370-11	s	RESISTOR,METAL FILM 1.2/2W
R771	1-219-753-11	s	RESISTOR(SURGE RESISTANT) 220K
R772	1-240-936-11	s	RESISTOR (SURGE RESISTANT) 68K
R791	1-219-752-11	s	RESISTOR 100K1/2W (SURGE)
R792	1-219-754-11	s	RESISTOR(SURGE RESISTANT)680K
R793	1-247-903-00	s	RESISTOR,CARBON 1M 1/4W
RV750	1-230-641-11	s	RESISTOR,ADJ,METAL GLAZE 2.2M
RV760	1-230-619-11	s	RESISTOR,ADJ 110M (METAL)
RV790	1-230-641-11	s	RESISTOR,ADJ,METAL GLAZE 2.2M

## C BOARD (FOR 20 INCH)

Ref. No. or Q'ty	Part No.	SP	Description
1pc	A-1405-331-A	s	MOUNTED CIRCUIT BOARD, C
1pc	4-382-854-11	s	SCREW,+PSW M3X10(EP-FE/ZNBK/CM
C701	1-136-189-71	s	CAP,METALIZED FILM 250V/0.1MF
C702	1-104-999-11	s	CAPACITOR FILM 0.1MF/200V PETP
C711	1-107-662-11	s	CAPACITOR, ELECT 22MF/350V
C712	1-107-649-11	s	CAP, ELECT 2.2MF/250V
C750	1-126-964-11	s	CAPACITOR, ELECT 10MF/50V
C751	1-137-372-11	s	CAPACITOR,PETP FILM 0.022
C752	1-136-189-71	s	CAP,METALIZED FILM 250V/0.1MF
C770	1-162-116-00	s	CAPACITOR,CERAMIC 680PF/2KVDC
C771	1-107-846-11	s	CAPACITOR FILM 0.10MF/400V(S)
C790	1-130-338-11	s	CAPACITOR,FILM 0.01MF/630V(PP)
CN701	1-564-511-11	o	PLUG,CONNECTOR (8P)
CN710	1-573-964-11	o	PIN,CONNECTOR(PC BOARD)6P
CN720	1-695-915-11	s	TAB (CONTACT)
CN721	1-695-915-11	s	TAB (CONTACT)
CN722	1-695-915-11	s	TAB (CONTACT)
D701	8-719-901-83	s	DIODE 1SS83
D702	8-719-901-83	s	DIODE 1SS83
D703	8-719-901-83	s	DIODE 1SS83
D704	8-719-901-83	s	DIODE 1SS83
D750	8-719-991-33	s	DIODE 1SS133T-77
IC701	8-759-562-43	s	IC TDA6108JF/N1B
J701	1-540-124-21	s	SOCKET, CRT
L710	1-412-529-11	s	INDUCTOR,MICRO 22UH
R700	1-249-397-11	s	RES,CARBON 22 1/4W (SMALL)
R701	1-249-409-11	s	RESISTOR,CARBON 220 1/4W SMALL
R702	1-249-409-11	s	RESISTOR,CARBON 220 1/4W SMALL
R703	1-249-409-11	s	RESISTOR,CARBON 220 1/4W SMALL
R721	1-249-411-11	s	RES,CARBON 330 1/4W SMALL
R722	1-249-411-11	s	RES,CARBON 330 1/4W SMALL
R723	1-249-411-11	s	RES,CARBON 330 1/4W SMALL
R741	1-219-746-11	s	RESISTOR 1K 1/2W (SURGE)
R742	1-219-746-11	s	RESISTOR 1K 1/2W (SURGE)
R743	1-219-746-11	s	RESISTOR 1K 1/2W (SURGE)
R750	1-249-429-11	s	RESISTOR,CARBON(SMALL)10K 1/4W
R770	1-219-753-11	s	RESISTOR(SURGE RESISTANT) 220K
R771	1-216-371-00	s	RESISTOR,METAL FILM 1.5/2W
R772	1-240-936-11	s	RESISTOR (SURGE RESISTANT) 68K
R790	1-219-752-11	s	RESISTOR 100K1/2W (SURGE)
R791	1-219-754-11	s	RESISTOR(SURGE RESISTANT)680K
R792	1-219-752-11	s	RESISTOR 100K1/2W (SURGE)
R793	1-247-903-00	s	RESISTOR,CARBON 1M 1/4W
RV760	1-241-714-11	s	RESISTOR,ADJ,METAL FILM 110M
RV790	1-230-641-11	s	RESISTOR,ADJ,METAL GLAZE 2.2M



-----  
Q BOARD  
-----

Ref. No. or Q'ty	Part No.	SP	Description
1pc	A-1405-329-A	s	MOUNTED CIRCUIT BOARD, Q(L1)
1pc	A-1410-483-A	s	MOUNTED CIRCUIT BOARD, Q(MDE)
2pcs	7-627-557-48	s	SCREW +P2.6X10(EP-FE/ZNBK/CM2)
C201	1-126-514-11	s	CAPACITOR,ELECT 22MF/16V
C202	1-164-227-11	s	CAPACITOR,CERAMIC 0.022MF/25V
C203	1-126-514-11	s	CAPACITOR,ELECT 22MF/16V
C206	1-126-514-11	s	CAPACITOR,ELECT 22MF/16V
C207	1-107-823-11	s	CAPACITOR,CERAMIC 0.47MF/16V
C209	1-126-514-11	s	CAPACITOR,ELECT 22MF/16V
C210	1-107-823-11	s	CAPACITOR,CERAMIC 0.47MF/16V
C211	1-126-795-11	s	CAPACITOR, ELECT 10MF/50V
C215	1-126-795-11	s	CAPACITOR, ELECT 10MF/50V
C216	1-126-795-11	s	CAPACITOR, ELECT 10MF/50V
C217	1-126-795-11	s	CAPACITOR, ELECT 10MF/50V
C218	1-107-826-11	s	CAPACITOR,CHIP CERAMIC 0.1MF
C219	1-126-786-11	s	CAPACITOR,ELECT 47MF/16V
C220	1-126-514-11	s	CAPACITOR,ELECT 22MF/16V
C221	1-126-795-11	s	CAPACITOR, ELECT 10MF/50V
C222	1-162-970-11	s	CAPACITOR CERAMIC 0.01MF/25V B
C223	1-162-970-11	s	CAPACITOR CERAMIC 0.01MF/25V B
C224	1-162-970-11	s	CAPACITOR CERAMIC 0.01MF/25V B
C225	1-126-514-11	s	CAPACITOR,ELECT 22MF/16V
C226	1-126-514-11	s	CAPACITOR,ELECT 22MF/16V
C229	1-107-823-11	s	CAPACITOR,CERAMIC 0.47MF/16V
C230	1-107-823-11	s	CAPACITOR,CERAMIC 0.47MF/16V
C231	1-126-795-11	s	CAPACITOR, ELECT 10MF/50V
C232	1-162-970-11	s	CAPACITOR CERAMIC 0.01MF/25V B(MDE)
C233	1-162-970-11	s	CAPACITOR CERAMIC 0.01MF/25V B(MDE)
C234	1-162-970-11	s	CAPACITOR CERAMIC 0.01MF/25V B(MDE)
C235	1-162-970-11	s	CAPACITOR CERAMIC 0.01MF/25V B(MDE)
C236	1-107-826-11	s	CAPACITOR,CHIP CERAMIC 0.1MF
C239	1-126-514-11	s	CAPACITOR,ELECT 22MF/16V
CN201	1-564-527-11	o	PLUG,CONNECTOR (12P)(L-TYPE)
CN202	1-565-167-12	s	TERMINAL, (S)(WITH SW)4P
CN203	1-569-578-11	s	TERMINAL, S(WITH SW)
CN204	1-564-522-11	o	PLUG,CONNECTOR (7P)(L-TYPE)
CN205	1-569-023-11	s	JACK, MODULAR 8P(MDE)
CN206	1-565-167-12	s	TERMINAL, (S)(WITH SW)4P
D201	8-719-991-33	s	DIODE 1SS133T-77
D202	8-719-991-33	s	DIODE 1SS133T-77
D203	8-719-991-33	s	DIODE 1SS133T-77
D204	8-719-991-33	s	DIODE 1SS133T-77
D205	8-719-991-33	s	DIODE 1SS133T-77
D206	8-719-991-33	s	DIODE 1SS133T-77
D207	8-719-991-33	s	DIODE 1SS133T-77
D208	8-719-991-33	s	DIODE 1SS133T-77
D209	8-719-991-33	s	DIODE 1SS133T-77
D210	8-719-991-33	s	DIODE 1SS133T-77
D211	8-719-991-33	s	DIODE 1SS133T-77
D212	8-719-991-33	s	DIODE 1SS133T-77
D213	8-719-991-33	s	DIODE 1SS133T-77
D214	8-719-991-33	s	DIODE 1SS133T-77
D215	8-719-991-33	s	DIODE 1SS133T-77
D216	8-719-991-33	s	DIODE 1SS133T-77
D219	8-719-073-01	s	DIODE MA111-(K8).SO
D220	8-719-073-01	s	DIODE MA111-(K8).SO
D221	8-719-082-00	s	DIODE MM3Z4V7T1
D222	8-719-082-00	s	DIODE MM3Z4V7T1

(Q BOARD)

Ref. No. or Q'ty	Part No.	SP	Description
D223	8-719-073-01	s	DIODE MA111-(K8).SO
D224	8-719-073-01	s	DIODE MA111-(K8).SO
D225	8-719-073-01	s	DIODE MA111-(K8).SO
D226	8-719-073-01	s	DIODE MA111-(K8).SO
D227	8-719-073-01	s	DIODE MA111-(K8).SO
D228	8-719-073-01	s	DIODE MA111-(K8).SO
D229	6-500-019-01	s	DIODE MM3Z3V9ST1
D231	6-500-019-01	s	DIODE MM3Z3V9ST1
D232	6-500-019-01	s	DIODE MM3Z3V9ST1
IC201	8-759-446-66	s	IC MM1113XFBE
JR201	1-216-295-91	s	CONDUCTOR, CHIP (2012)
Q201	8-729-120-28	s	TRANSISTOR 2SC1623-L5L6
Q202	8-729-120-28	s	TRANSISTOR 2SC1623-L5L6
Q203	8-729-120-28	s	TRANSISTOR 2SC1623-L5L6
Q204	8-729-026-49	s	TRANSISTOR 2SA1037AK-T146-R
Q205	8-729-120-28	s	TRANSISTOR 2SC1623-L5L6
Q206	8-729-026-49	s	TRANSISTOR 2SA1037AK-T146-R
Q207	8-729-120-28	s	TRANSISTOR 2SC1623-L5L6
Q208	8-729-120-28	s	TRANSISTOR 2SC1623-L5L6
Q209	8-729-120-28	s	TRANSISTOR 2SC1623-L5L6
Q210	8-729-120-28	s	TRANSISTOR 2SC1623-L5L6
Q211	1-801-806-11	s	TRANSISTOR DTC144EKA
Q212	8-729-120-28	s	TRANSISTOR 2SC1623-L5L6
Q213	1-801-806-11	s	TRANSISTOR DTC144EKA
Q214	8-729-120-28	s	TRANSISTOR 2SC1623-L5L6
R201	1-214-837-11	s	RESISTOR,METAL FILM 75,1/2W
R202	1-216-843-11	s	RESISTOR,CHIP 68K 1/10W (1608)
R203	1-216-821-11	s	RESISTOR,CHIP 1.0K 1/10W(1608)
R204	1-216-842-11	s	RESISTOR,CHIP 56K 1/16W(1608)
R205	1-216-825-11	s	RESISTOR,CHIP 2.2K 1/10W 1608
R206	1-216-809-11	s	RESISTOR,CHIP 100 1/10W 1608
R207	1-216-843-11	s	RESISTOR,CHIP 68K 1/10W (1608)
R208	1-216-821-11	s	RESISTOR,CHIP 1.0K 1/10W(1608)
R209	1-216-842-11	s	RESISTOR,CHIP 56K 1/16W(1608)
R210	1-214-837-11	s	RESISTOR,METAL FILM 75,1/2W
R211	1-216-825-11	s	RESISTOR,CHIP 2.2K 1/10W 1608
R212	1-216-809-11	s	RESISTOR,CHIP 100 1/10W 1608
R213	1-216-843-11	s	RESISTOR,CHIP 68K 1/10W (1608)
R214	1-216-821-11	s	RESISTOR,CHIP 1.0K 1/10W(1608)
R215	1-216-842-11	s	RESISTOR,CHIP 56K 1/16W(1608)
R216	1-216-825-11	s	RESISTOR,CHIP 2.2K 1/10W 1608
R217	1-216-809-11	s	RESISTOR,CHIP 100 1/10W 1608
R218	1-214-837-11	s	RESISTOR,METAL FILM 75,1/2W
R219	1-216-854-11	s	RESISTOR, CHIP 560K 1/16W 1608
R220	1-216-835-11	s	RESISTOR,CHIP 15K 1/10W
R221	1-216-809-11	s	RESISTOR,CHIP 100 1/10W 1608
R222	1-216-845-11	s	RESISTOR,CHIP 100K 1/10W(1608)
R223	1-216-849-11	s	RESISTOR,CHIP 220K 1/16W 1608
R224	1-214-911-11	s	RESISTOR,METAL FILM 82K/1/2W
R225	1-216-809-11	s	RESISTOR,CHIP 100 1/10W 1608
R226	1-216-821-11	s	RESISTOR,CHIP 1.0K 1/10W(1608)
R227	1-216-809-11	s	RESISTOR,CHIP 100 1/10W 1608
R228	1-214-837-11	s	RESISTOR,METAL FILM 75,1/2W
R229	1-216-843-11	s	RESISTOR,CHIP 68K 1/10W (1608)
R230	1-216-821-11	s	RESISTOR,CHIP 1.0K 1/10W(1608)
R231	1-216-842-11	s	RESISTOR,CHIP 56K 1/16W(1608)
R232	1-216-825-11	s	RESISTOR,CHIP 2.2K 1/10W 1608

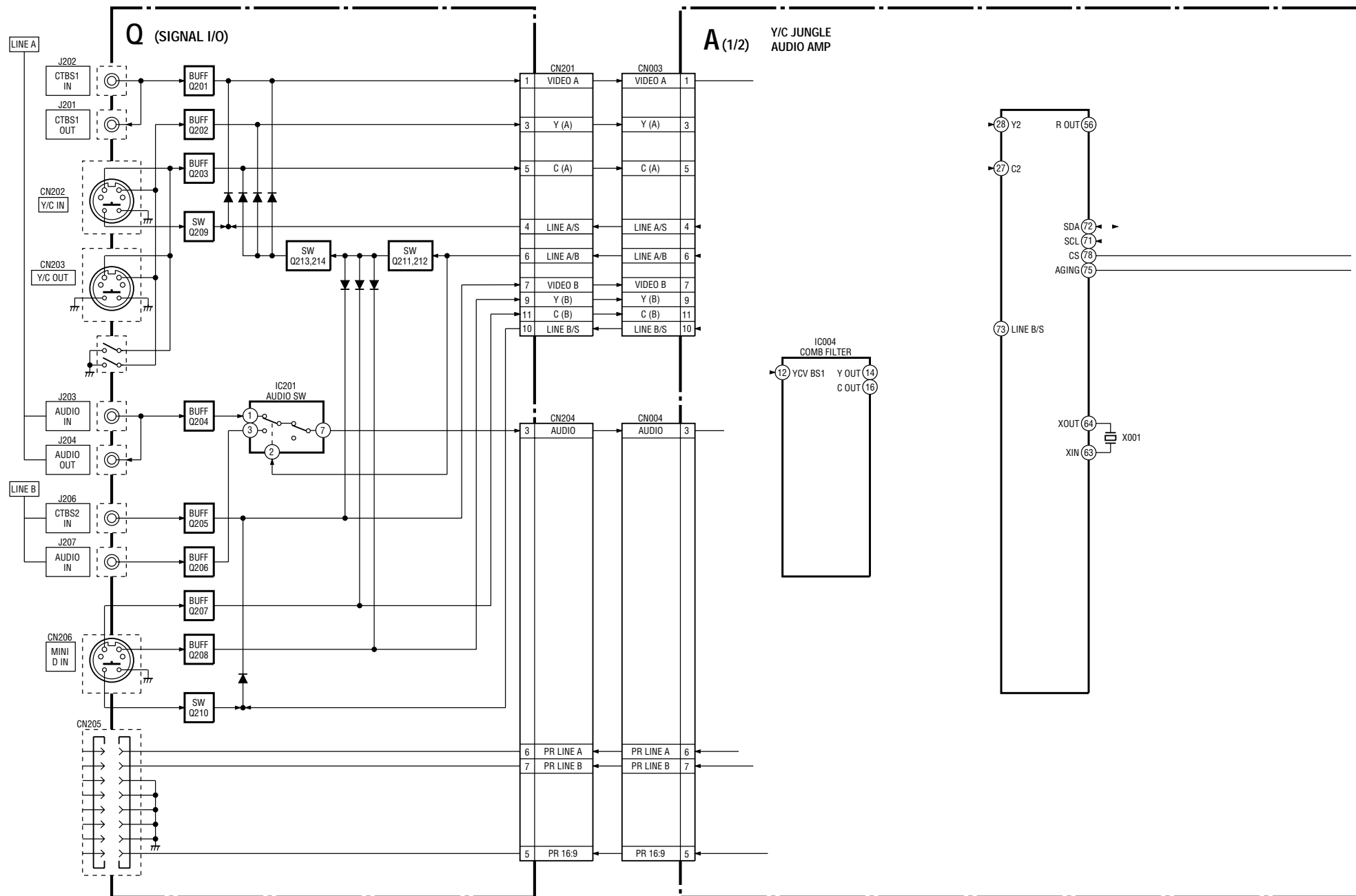
## (Q BOARD)

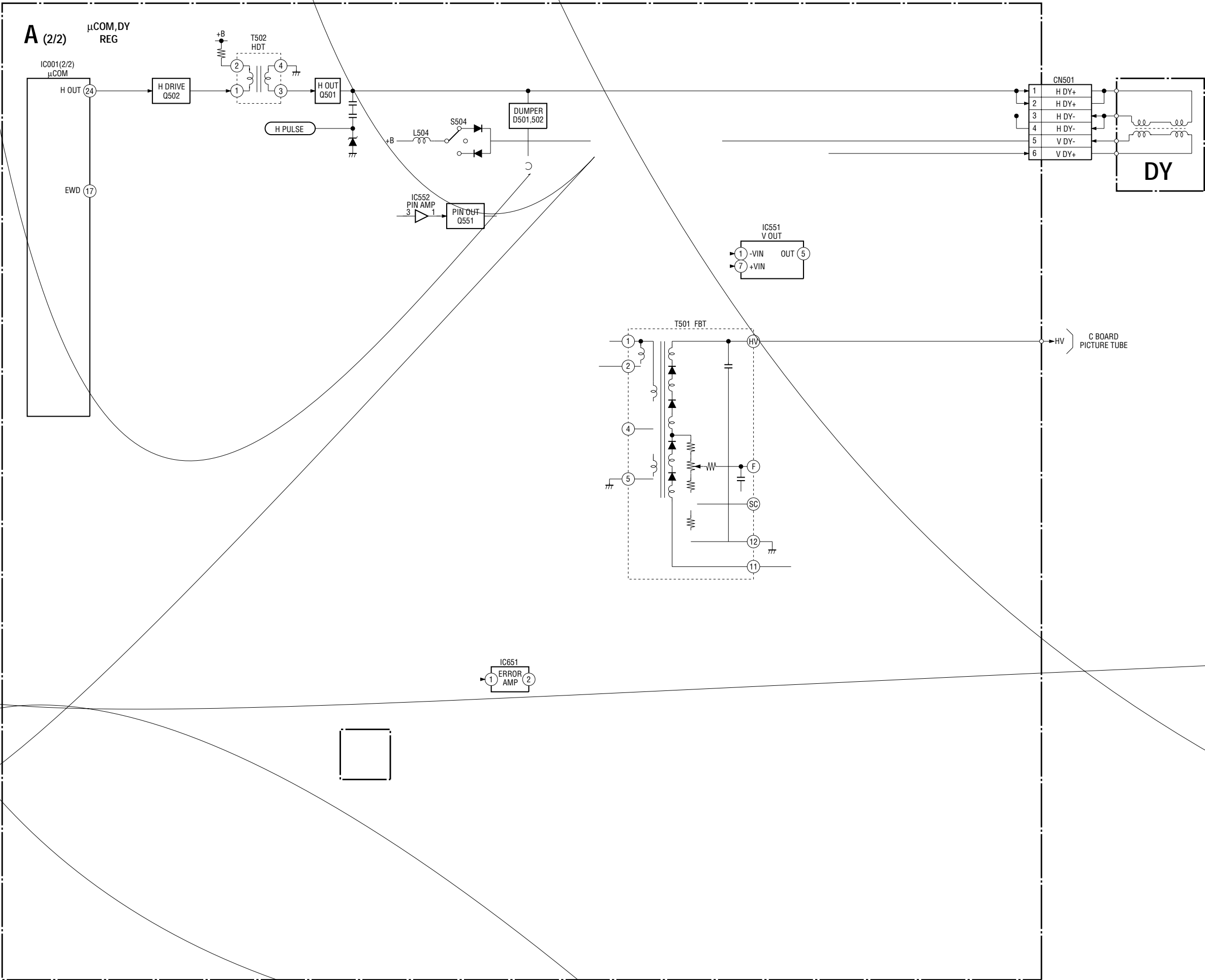
Ref. No. or Q'ty	Part No.	SP Description
R233	1-216-854-11	s RESISTOR,CHIP 560K 1/16W 1608
R234	1-216-835-11	s RESISTOR,CHIP 15K 1/10W
R235	1-214-911-11	s RESISTOR,METAL FILM 82K/1/2W
R236	1-216-845-11	s RESISTOR,CHIP 100K 1/10W(1608)
R237	1-216-849-11	s RESISTOR,CHIP 220K 1/16W 1608
R238	1-216-837-11	s RESISTOR,CHIP 22K 1/16W 1608
R239	1-216-821-11	s RESISTOR,CHIP 1.0K 1/10W(1608)(MDE)
R240	1-216-821-11	s RESISTOR,CHIP 1.0K 1/10W(1608)(MDE)
R241	1-216-821-11	s RESISTOR,CHIP 1.0K 1/10W(1608)(MDE)
R242	1-216-837-11	s RESISTOR,CHIP 22K 1/16W 1608
R243	1-216-825-11	s RESISTOR,CHIP 2.2K 1/10W 1608
R244	1-216-821-11	s RESISTOR,CHIP 1.0K 1/10W(1608)
R245	1-216-821-11	s RESISTOR,CHIP 1.0K 1/10W(1608)
R246	1-216-825-11	s RESISTOR,CHIP 2.2K 1/10W 1608
R247	1-216-809-11	s RESISTOR,CHIP 100 1/10W 1608
R248	1-216-809-11	s RESISTOR,CHIP 100 1/10W 1608
R249	1-214-837-11	s RESISTOR,METAL FILM 75,1/2W
R250	1-214-837-11	s RESISTOR,METAL FILM 75,1/2W
R257	1-216-843-11	s RESISTOR,CHIP 68K 1/10W (1608)
R258	1-216-842-11	s RESISTOR,CHIP 56K 1/16W(1608)
R259	1-216-843-11	s RESISTOR,CHIP 68K 1/10W (1608)
R260	1-216-842-11	s RESISTOR,CHIP 56K 1/16W(1608)
R261	1-216-821-11	s RESISTOR,CHIP 1.0K 1/10W(1608)
R262	1-216-821-11	s RESISTOR,CHIP 1.0K 1/10W(1608)
R263	1-216-833-11	s RESISTOR,CHIP 10K 1/10W (1608)
R264	1-216-833-11	s RESISTOR,CHIP 10K 1/10W (1608)
R265	1-216-833-11	s RESISTOR,CHIP 10K 1/10W (1608)
R266	1-216-833-11	s RESISTOR,CHIP 10K 1/10W (1608)
R267	1-216-817-11	s RESISTOR,CHIP 470 1/10W 1608
R268	1-216-817-11	s RESISTOR,CHIP 470 1/10W 1608
R269	1-216-833-11	s RESISTOR,CHIP 10K 1/10W (1608)
R270	1-216-833-11	s RESISTOR,CHIP 10K 1/10W (1608)
R271	1-216-817-11	s RESISTOR,CHIP 470 1/10W 1608
R272	1-216-833-11	s RESISTOR,CHIP 10K 1/10W (1608)
R273	1-216-833-11	s RESISTOR,CHIP 10K 1/10W (1608)
R274	1-216-817-11	s RESISTOR,CHIP 470 1/10W 1608

-----  
ACCESSORIES  
-----

Ref. No. or Q'ty	Part No.	SP Description
1pc	4-096-626-01	s MANUAL, INSTRUCTION (JAPANESE, ENGLISH, FRENCH, GERMAN, ITALIAN, SPANISH, SIMPLIFIED CHINESE)
1pc	4-099-916-01	s MANUAL, INSTRUCTION(MDE)(ENGLISH, FRENCH, GERMAN, ITALIAN, SPANISH, SIMPLIFIED CHINESE)
1pc	4-099-913-11	s MANUAL, INSTRUCTION (SSM) (JAPANESE, ENGLISH, FRENCH, GERMAN, ITALIAN, SPANISH, SIMPLIFIED CHINESE)
1pc	△ _____	s POWER CORD (See Warning On Power Connection)
	△ 1-783-481-42	s CORD, POWER (CHINESE)

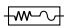


### Section 6 Block Diagrams






## Section 7 Diagrams

### Note:


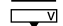

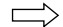
- Parts marked “ \* ” differ according to the model/destination. Refer to the mount table for each function.
- The parts marked “ # ” on schematic diagrams are not mounted.
- All capacitors are in  $\mu\text{F}$  unless otherwise noted.  $\text{pF}$ :  $\mu\mu\text{F}$  50WV or less are not indicated except for electrolytics.
- All electrolytics are in 50 V unless otherwise specified.
-  : fusible resistor
-  : nonflammable resistor
- $\Delta$  : internal component
-  : panel designation and adjustment for repair
- Caution when replacing chip parts  
New parts must be attached after removal of the chip.  
Be careful not to heat the minus side of a tantalum capacitor, because it is easily damaged by the heat.

### Reference information

RESISTOR	RN	: METAL FILM
	RC	: SOLID
	FPRD	: NONFLAMMABLE CARBON
	FUSE	: NONFLAMMABLE FUSIBLE
	RS	: NONFLAMMABLE METAL OXIDE
	RB	: NONFLAMMABLE CEMENT
	RW	: NONFLAMMABLE WIREWOUND
	※	: ADJUSTMENT RESISTOR
COIL	LF-8L	: MICRO INDUCTOR
CAPACITOR	TA	: TANTALUM
	PS	: STYROL
	PP	: POLYPROPYLENE
	PT	: MYLAR
	MPS	: METALIZED POLYESTER
	MPP	: METALIZED POLYPROPYLENE
	ALB	: BIPOLAR
	ALT	: HIGH TEMPERATURE
	ALR	: HIGH RIPPLE

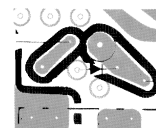
- When replacing components marked  , make the necessary adjustments indicated.

### [Measuring conditions, voltage and waveform]

- A voltage value is the reference value between the measurement point and the earth, when the NTSC color bar signal (100%) is received from the color bar generator. (digital multi-meter used: 10 M ohms/V DC)
- Unit of voltage is V (volt).  
(Voltage variations may occur due to normal production tolerances.)
-  : B+line
-  : B- line
- No mark : NTSC (3.58 MHz) color bar signal.
-  : Measurement disabled.
- Circled numbers indicate the reference waveform.
-  : Signal path.

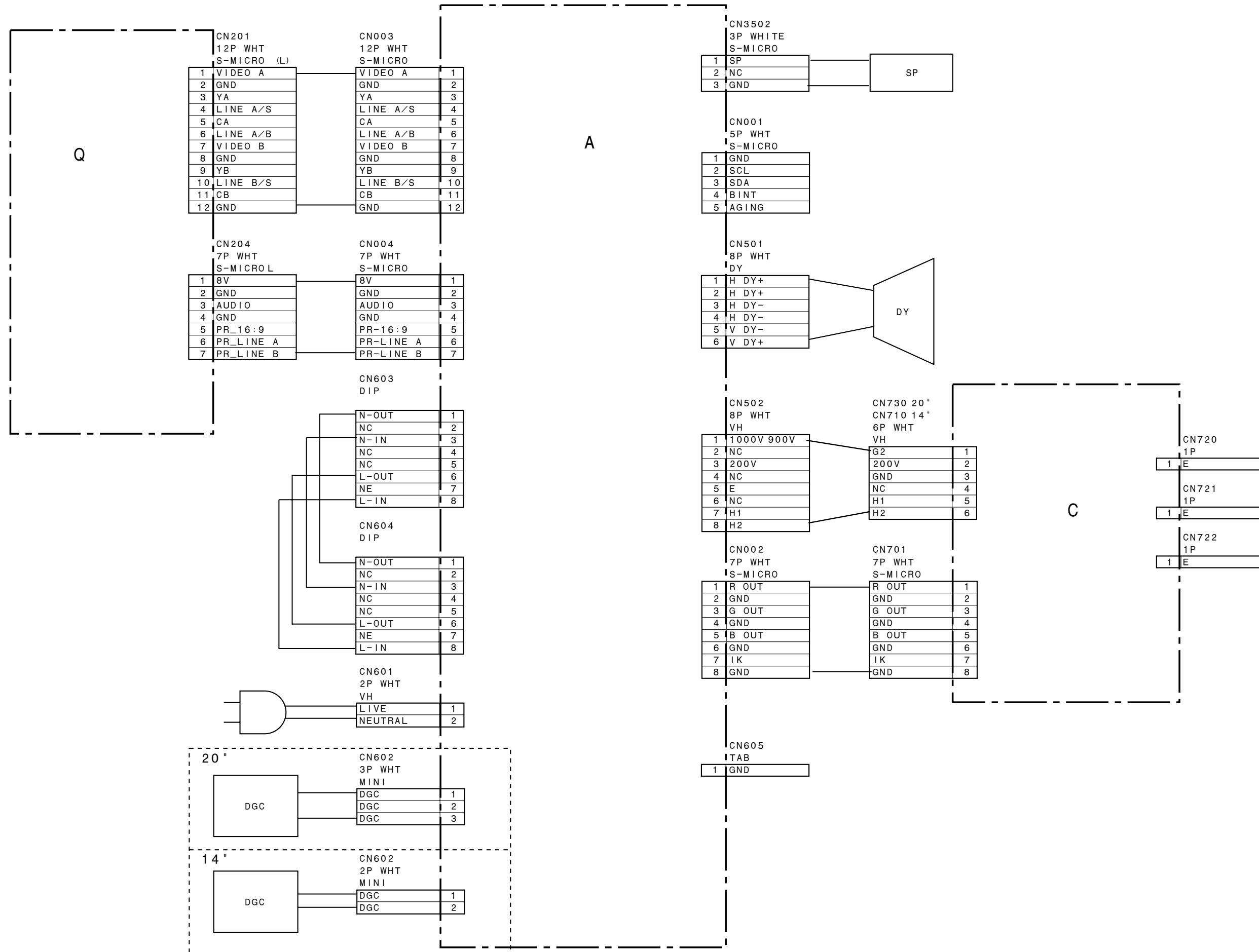
The components identified marked  $\Delta$  are critical for safety.  
Replace only with the part number specified.

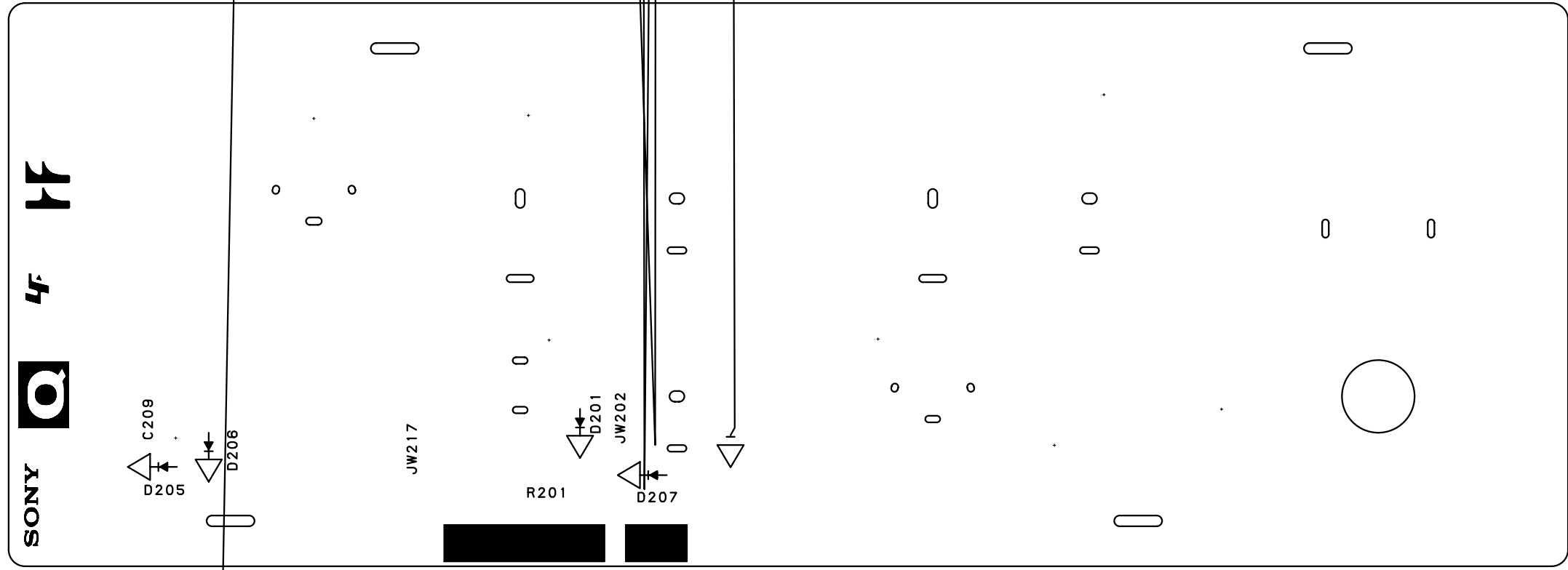
Les composants identifiés par la marque  $\Delta$  sont critiques pour la sécurité.  
Ne les remplacer que par une pièce portant le numéro spécifié.



**NOTE:**  
The circuit indicated as shown on the left contains high voltages of over 600 Vp-p. Take care to avoid electric shock during inspection or repair work.

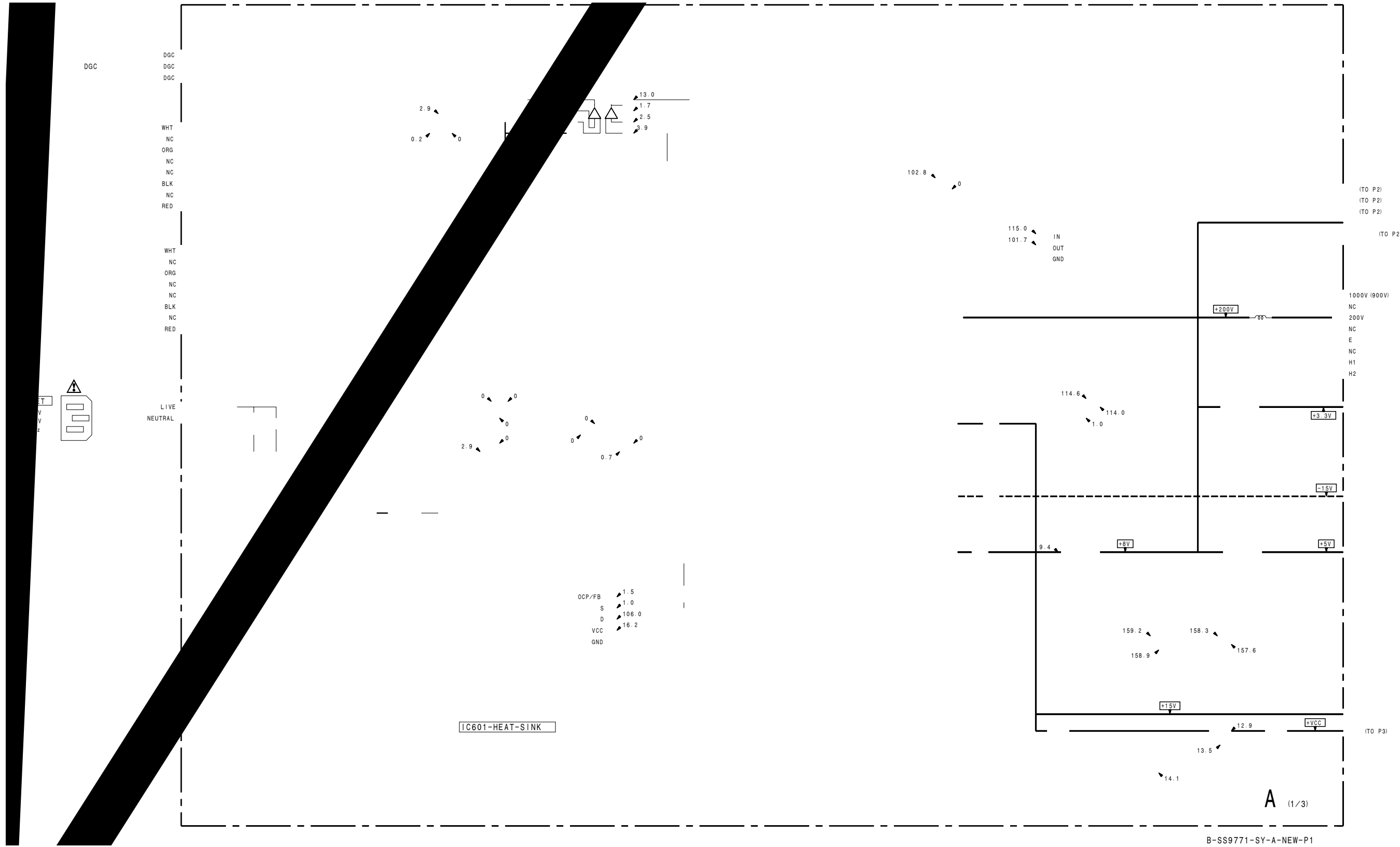
# 7-1. Frame Schematic Diagram



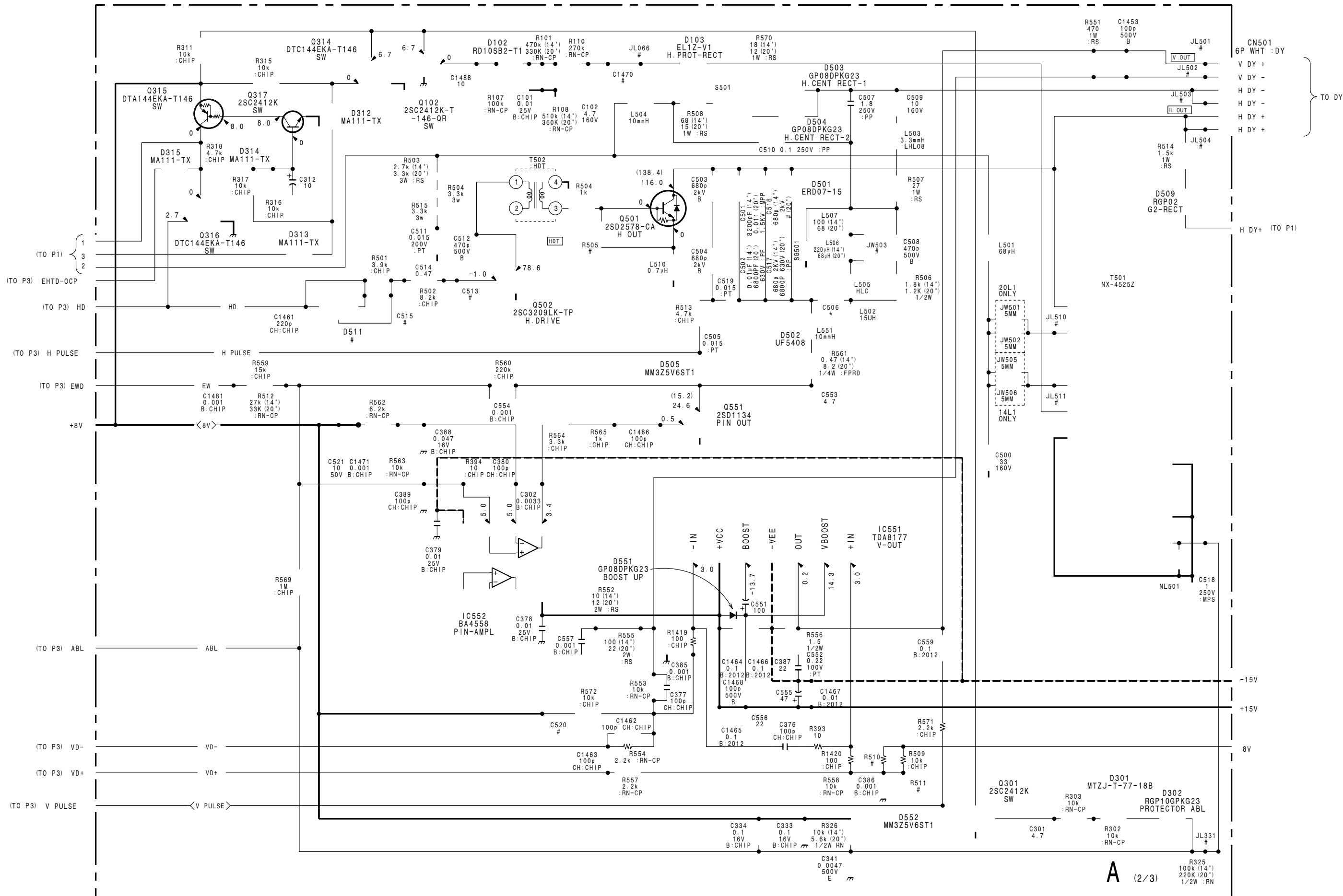








1  
2  
3  
4  
5



A (2/3)

B-SS9771-SY-A-NEW-P2

7-6

7-6

PVM-14L1/14L1MDE/20L1  
SSM-14L1/20L1

A B C D E F G H

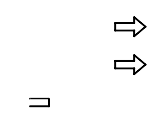
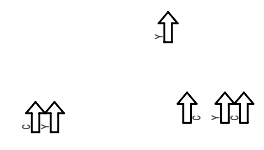
1

2

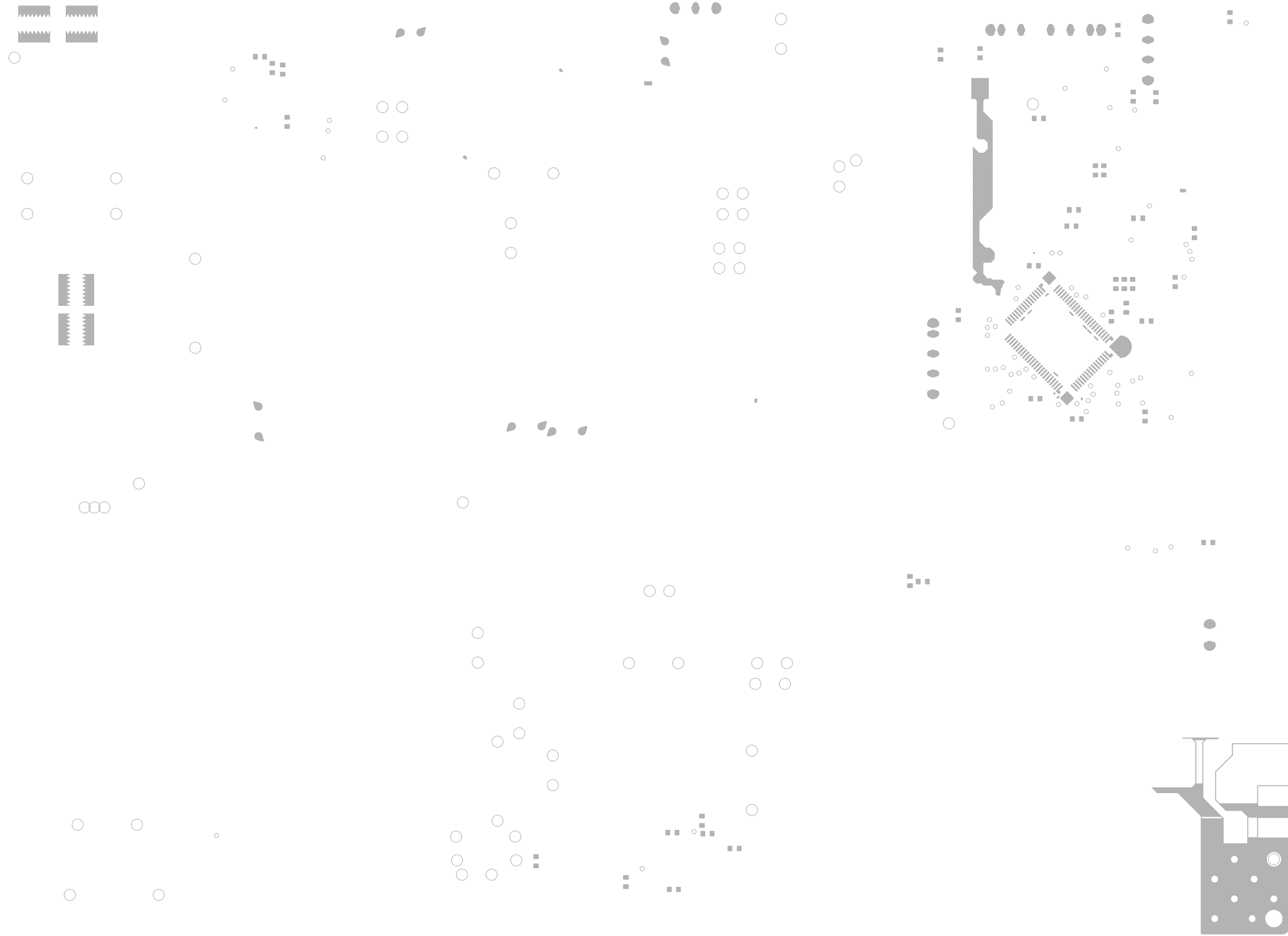
3

4

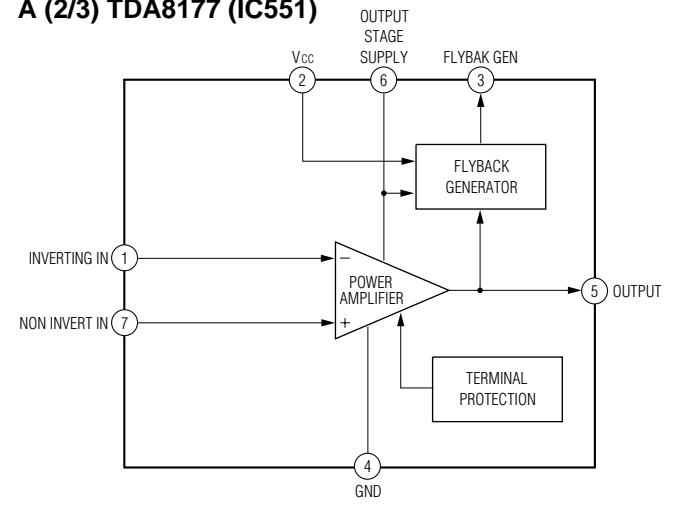
5



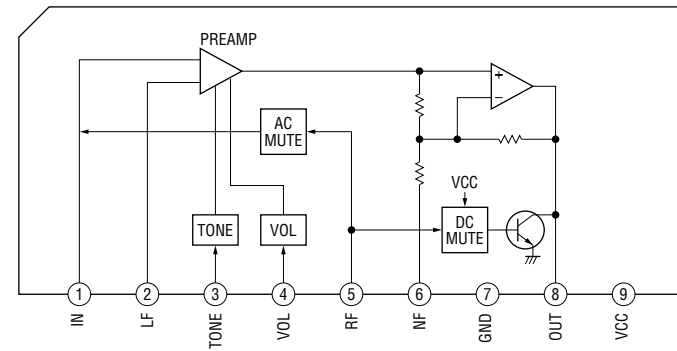
A A



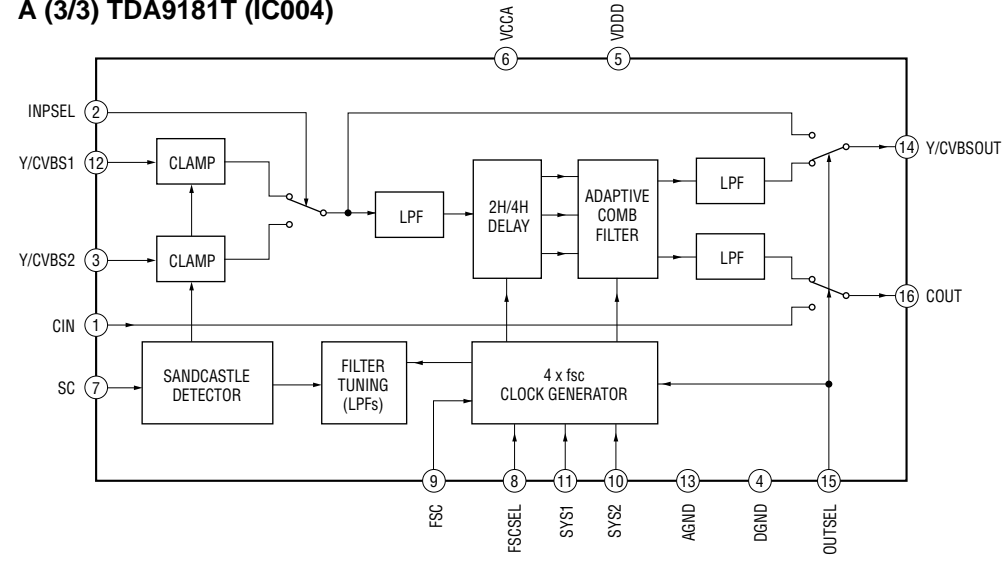
A (2/3) TDA8177 (IC551)



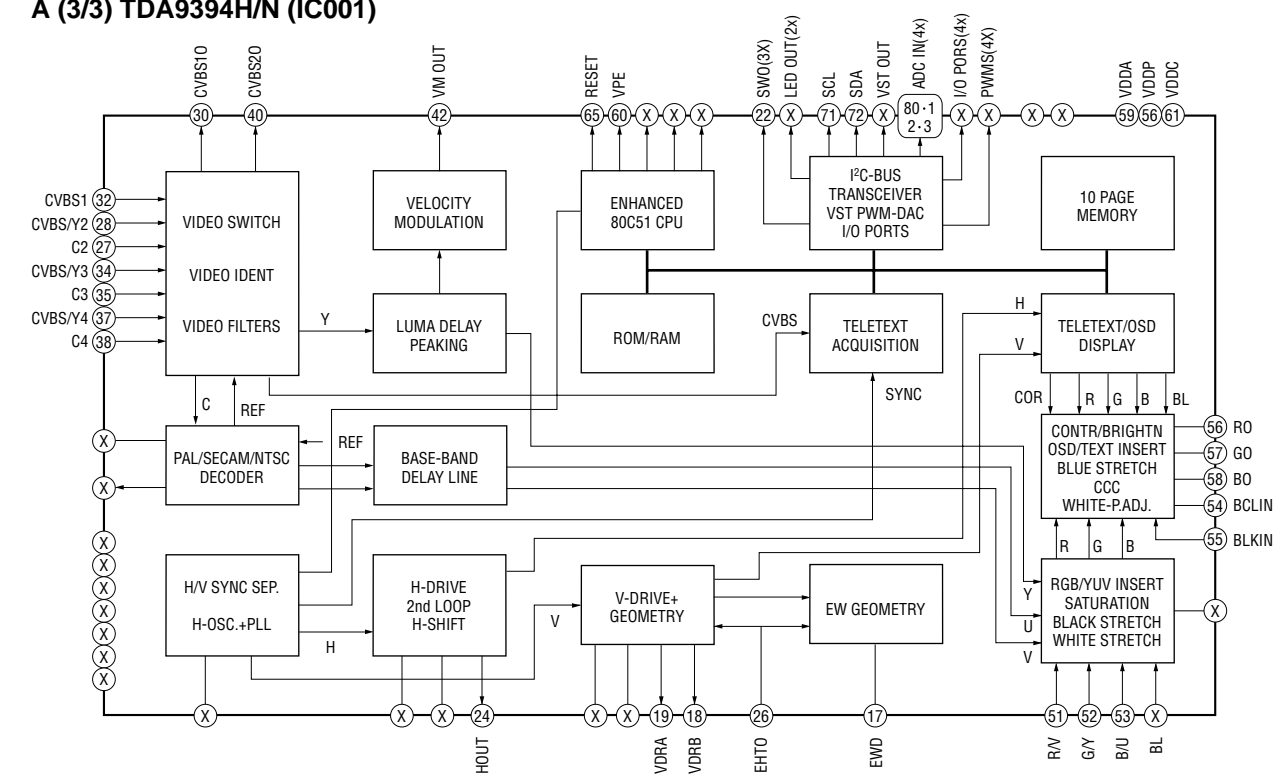
A (3/3) AN5278 (IC3501)



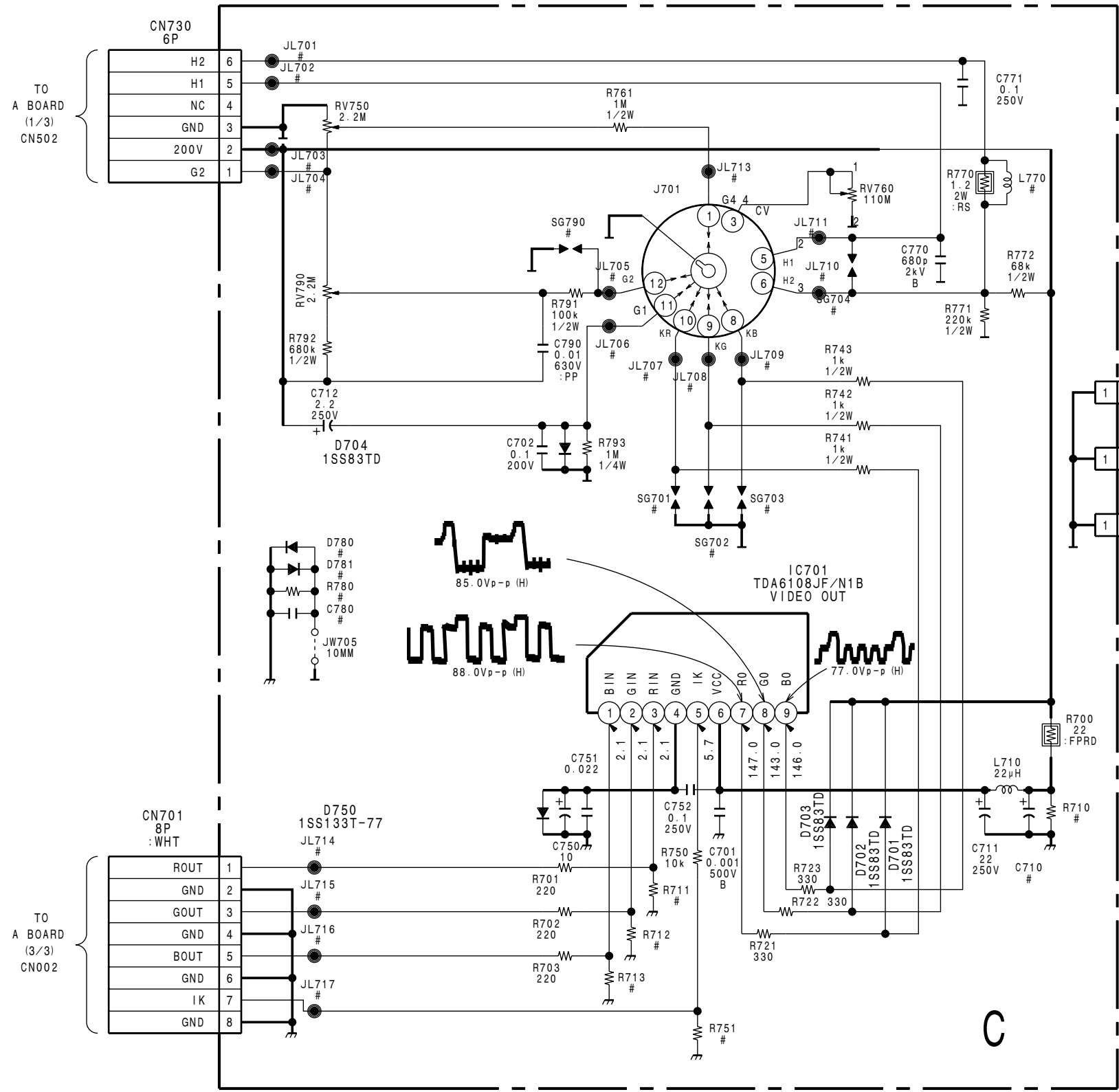
A (3/3) TDA9181T (IC004)



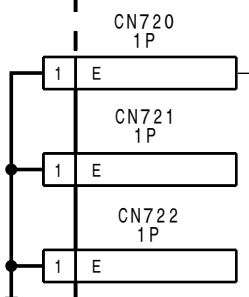
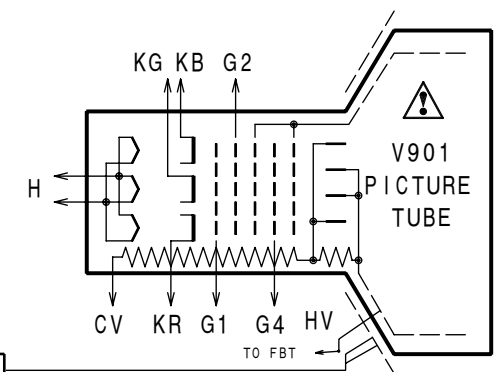
A (3/3) TDA9394H/N (IC001)



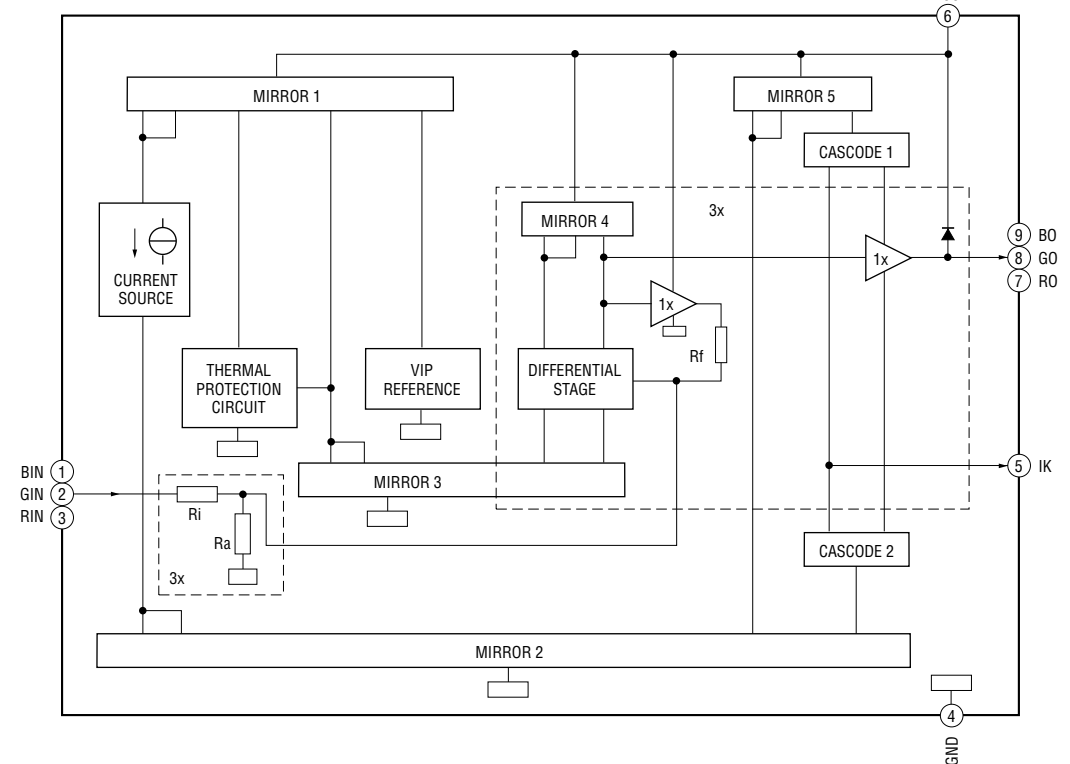




B-SV9771-SY-C



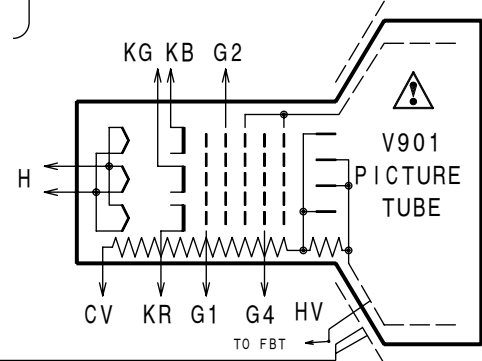
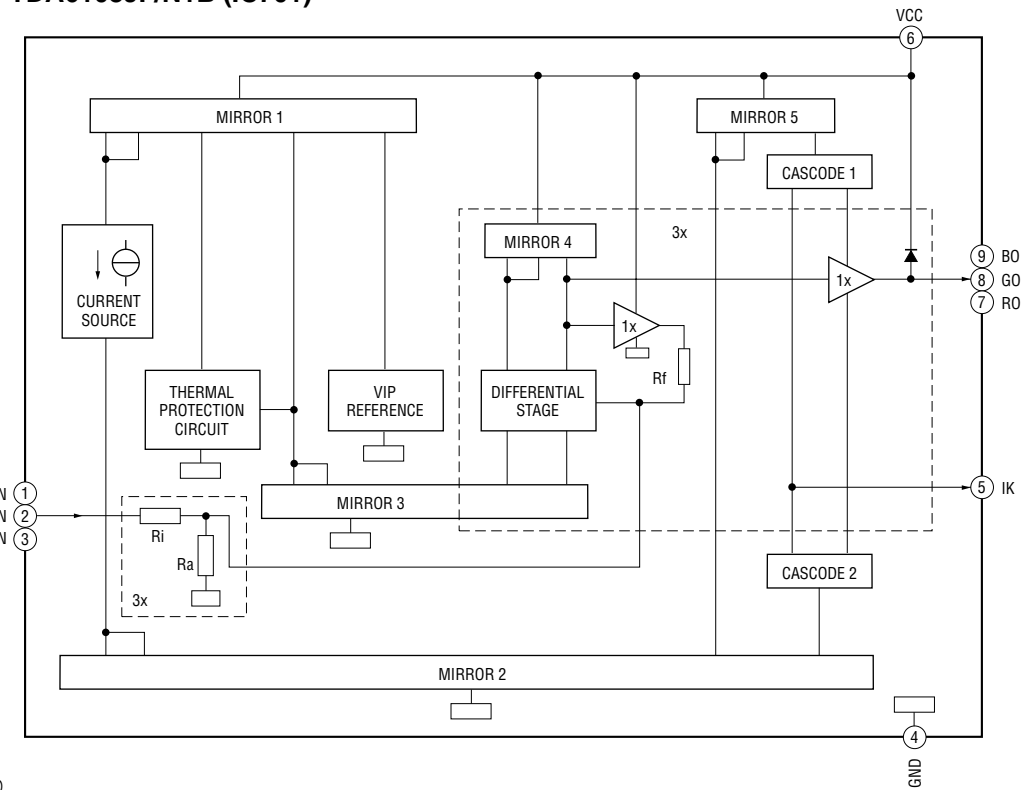
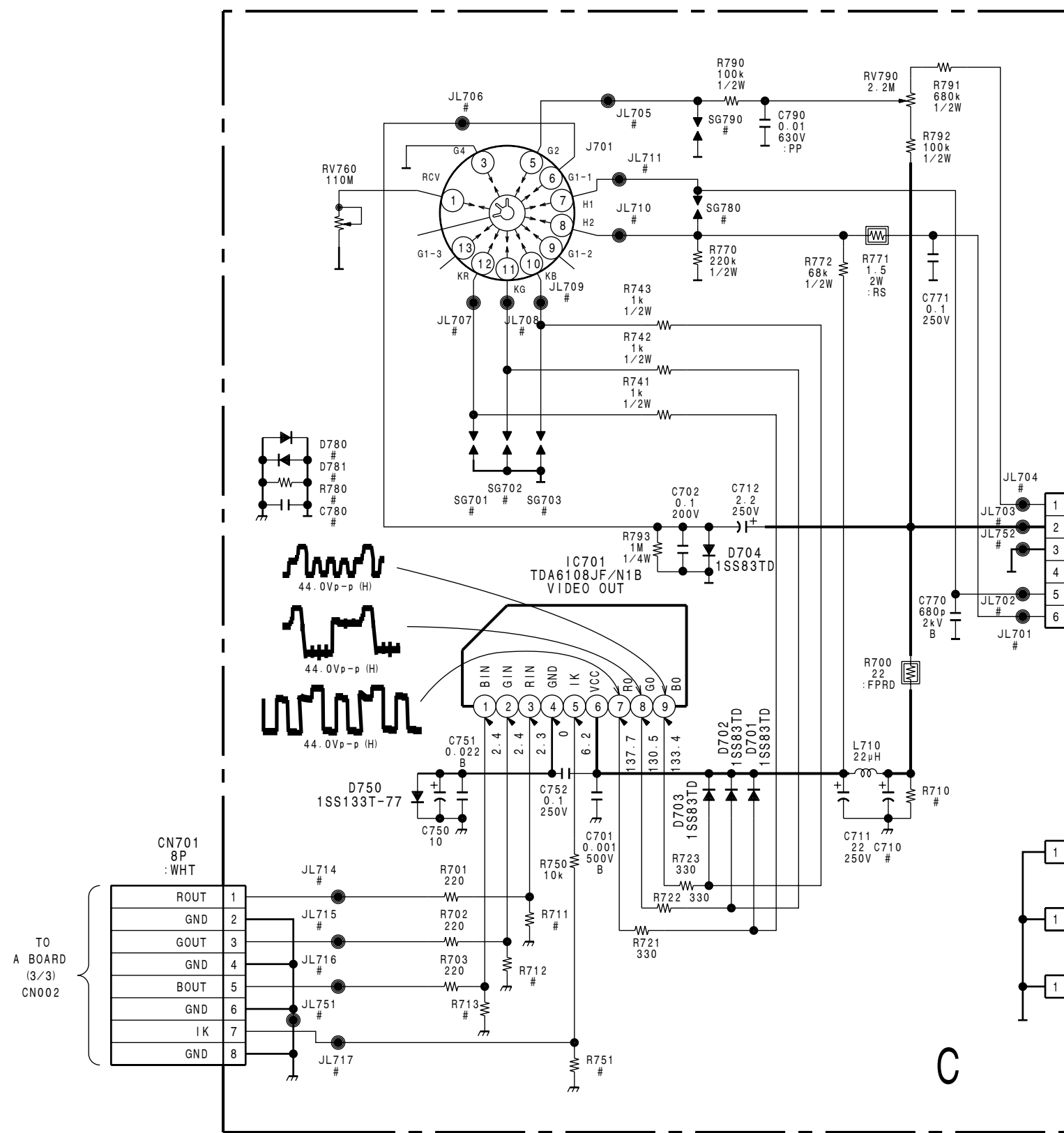
C TDA6108JF/N1B (IC701)







C TDA6108JF/N1B (IC701)



B-SV9772-SY-C

TO A BOARD (3/3) CN002

TO A BOARD (1/3) CN502

## SAFETY CHECK-OUT

After correcting the original service problem, perform the following safety checks before releasing the set to the customer :

Check the metal trim, "metallized" knobs, screws, and all other exposed metal parts for AC leakage. Check leakage as described below.

### LEAKAGE TEST

The AC leakage from any exposed metal part to earth ground and from all exposed metal parts to any exposed metal part having a return to chassis, must not exceed 0.5 mA. Leakage current can be measured by any one of three methods.

1. A commercial leakage tester, such as the Simpson 229 or RCA WT-540A. Follow the manufacturers' instructions to use these instruments.
2. A battery-operated AC milliammeter. The Data Precision 245 digital multimeter is suitable for this job.
3. Measuring the voltage drop across a resistor by means of a VOM or battery-operated AC voltmeter. The "limit" indication is 0.75 V, so analog meters must have an accurate low-voltage scale. The Simpson 250 and Sanwa SH-63Trd are examples of a passive VOM that is suitable. Nearly all battery operated digital multimeters that have a 2 V AC range are suitable. (See Fig. A)

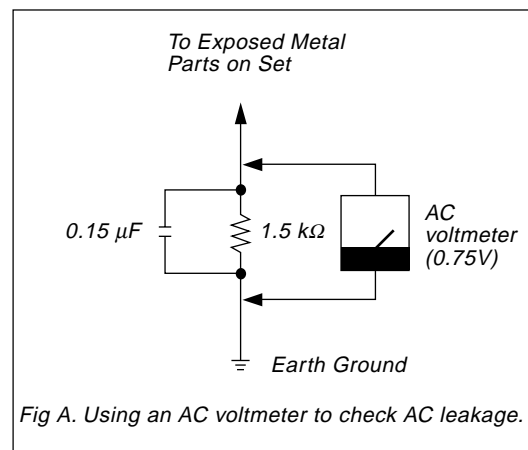


Fig A. Using an AC voltmeter to check AC leakage.

SSM-14L1 (SY)  
SSM-20L1 (SY)  
PVM-14L1 (SY, AU, CH)  
PVM-14L1MDE (AEP)  
PVM-20L1 (SY, AU, CH) E  
9-870-369-02

**Sony Corporation**  
B&P Company

Printed in Japan  
2003. 10 16  
©2003