

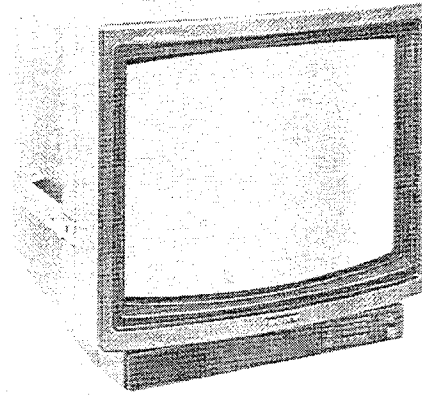
PVM-2010QM

3619

SERVICE MANUAL

AEP Model
UK Model

Chassis No. SCC-557A-A



For Service Manuals Contact
MAURITRON TECHNICAL SERVICES
8 Cherry Tree Rd, Chinnor
Oxon OX9 4QY
Tel:- 01844-351694 Fax:- 01844-352554
Email:- enquiries@mauritron.co.uk

April, 1984

SPECIFICATIONS

Color system	PAL, SECAM, NTSC and NTSC4.43 systems, switched automatically	Outputs	Loop through VIDEO OUT: BNC connector AUDIO OUT: minijack EXT SYNC OUT: BNC connector RGB OUT: BNC connectors AUDIO (RGB) OUT: minijack
Picture tube	Trinitron tube Approx. 52 cm (20 inches) 100 degree deflection (Approx. 48 cm picture measured diagonally)	Audio output	1.5 W
Resolution	350 TV lines, 440 x 240 dots	Power requirement	220 - 240 V ac, 50/60 Hz
Color temperature	6,500°K/9,300°K	Power consumption	120 W (max.)
Frequency response	8 MHz (-3 dB, RGB) 6 MHz (-3 dB, composite video)	Dimensions	Approx. 486 x 463 x 539 mm (w/h/d) (19 1/4 x 18 1/4 x 21 1/4 inches)
Horizontal linearity	±5%	Weight	Approx. 29 kg (63 lbs 15 oz)
Vertical linearity	±5%	Optional accessories	Monitor stand SU-530 Monitor hood VF-500
Line pull range	Horizontal ±500 Hz Vertical 8 Hz		
Overscan of the picture	5%		
Return loss	4 MHz, 35 dB (LINE A, LINE B)		
Zooming	Within 2%		
Convergence	Central area 1 mm Outside of central area 1.3 mm		
Brightness	More than 50 foot-Lamberts		
Inputs	TUNER: 6-pin DIN connector VIDEO IN: BNC connector VTR: 8-pin connector (pins 2 and 6) Composite 1 V p-p ±6 dB, sync negative, 75 ohms and high impedance switchable AUDIO IN: minijack VTR: 8-pin connector (pins 1 and 5) -5 dBs high impedance EXT SYNC IN: BNC connector Composite sync 2 - 8 V p-p, negative, 75 ohms and high impedance switchable RGB IN: BNC connectors 0.7 V p-p, non composite AUDIO (RGB) IN: minijack -5 dBs high impedance		

While the information given is true at the time of printing, small production changes in the course of our company's policy of improvement through research and design might not necessarily be indicated in the specifications. We would ask you to check with your appointed Sony dealer if clarification on any point is required.



1838


MON

TRINITRON®
COLOR VIDEO MONITOR
SONY®

TABLE OF CONTENTS

<u>Section</u>	<u>Title</u>	<u>Page</u>
1.	GENERAL	
1-1.	Features	4
1-2.	Precautions	4
1-3.	Location and Function of Parts and Controls	5
1-4.	System Connections	6
2.	DISASSEMBLY	11
3.	SETUP ADJUSTMENTS	
3-1.	Beam Landing	15
3-2.	Convergence	16
3-3.	Focus (RV713)	16
3-4.	White Balance	17
4.	CIRCUIT ADJUSTMENTS	
4-1.	D Board Adjustments	18
4-2.	B Board Adjustments	21
4-3.	Q Board Adjustments	25
5.	DIAGRAMS	
5-1.	Circuit Boards Location	29
5-2.	Block Diagram	29
5-3.	Semiconductors	32
5-4.	Schematic Diagram	33
5-5.	Printed Wiring Boards	41
5-6.	Waveforms	50
6.	EXPLODED VIEWS	
1.	Cabinet Ass'y	54
2.	Chassis Ass'y	55
3.	Bezel Ass'y	56
7.	ELECTRICAL PARTS LIST	57

SAFETY-RELATED COMPONENT WARNING !!

COMPONENTS IDENTIFIED BY SHADING AND MARK  ON THE SCHEMATIC DIAGRAMS, EXPLODED VIEWS AND IN THE PARTS LIST ARE CRITICAL TO SAFE OPERATION. REPLACE THESE COMPONENTS WITH SONY PARTS WHOSE PART NUMBERS APPEAR AS SHOWN IN THIS MANUAL OR IN SUPPLEMENTS PUBLISHED BY SONY. CIRCUIT ADJUSTMENTS THAT ARE CRITICAL TO SAFE OPERATION ARE IDENTIFIED IN THIS MANUAL. FOLLOW THESE PROCEDURES WHENEVER CRITICAL COMPONENTS ARE REPLACED OR IMPROPER OPERATION IS SUSPECTED.

CMPTR : 25-pin D connector

Pin No.	Signal	Signal level
1	IBM select	High state (5 V) : IBM mode Low state : 3 Bit TTL
2	Audio select	High state (5 V or open) : audio inputs from the CMPTR connector Low state (less than 0.4 V) : audio inputs from the LINE A AUDIO IN jack
3	H. sync or composite sync	Negative polarity (1) 1 V p-p, 75Ω terminated (2) TTL level •(1) or (2) is selected by the pin 9.
4	Blue input	Positive polarity (1) Analog signal (0.7 V p-p, 75Ω terminated, non sync) (2) Digital signal (TTL level) •(1) or (2) is selected by the pin 9.
5	Green input	
6	Red input	
7	+ 12 V power supply	
8	+ 5 V power supply	
9	Analog/digital mode select	High state (open) : Analog signal (0.7 V p-p) Low state (ground) : Digital signal (TTL level)
10	RGB/NORMAL mode select	High state (5 V or open) : RGB inputs from the microcomputer Low state (ground) : composite video inputs from the LINE A VIDEO IN connector
11	V-sync	Negative polarity TTL level
12	Blanking	High state (5 V or open) : video inputs from the microcomputer Low state (ground) : Superimposed signal of composite video inputs from the LINE A VIDEO IN connector and the RGB inputs from the microcomputer

CMPTR : 25-pin D connector

Pin No.	Signal	Signal level
13	Audio input	Input level -5 dB (100% modulation), input impedance more than 47 kΩ
14	EXT/INT mode sync switch	High state (open) : microcomputer sync Low state : LINE A sync
15 24	ground	
25	IBM luminance signal	•Positive polarity, TTL level when the high state is selected at the pin 1. •Set to the low state (ground) when the low state is selected at the pin 1.

For Service Manuals Contact
MAURITRON TECHNICAL SERVICES
 8 Cherry Tree Rd, Chinnor
 Oxon OX9 4QY
 Tel:- 01844-351694 Fax:- 01844-352554
 Email:- enquiries@mauriron.co.uk

SECTION 1 GENERAL

1-1. FEATURES

- The PAL, SECAM, NTSC or NTSC4.43* color system is selected automatically.
- Colorpure Filter: Fine picture detail without color spill or color noise can be obtained by setting the COMB FILTER select switch to COMB.
- Automatic Frequency Control: The horizontal AFC time constant is selected by setting this switch to either the fast or slow mode.
- LINE A/LINE B/VTR/RGB/CMPTR: Selects the inputs.
- TUNER: Permits connection of the special color TV tuner with a single connecting cable.
- Superimposed Picture: When utilizing the SMI-7073 superimposer (optional) and a microcomputer, the pictures from a videodisc player and a microcomputer can be superimposed.

* A signal of NTSC4.43 system is obtained by playing back NTSC-recorded video tapes with a video tape recorder/player specially designed for use with this system.

1-2. PRECAUTIONS

On safety

- Check that the operating voltage of your unit is identical with the voltage of your local power supply.
- Should any liquid or solid object fall into the cabinet, unplug the unit and have it checked by qualified personnel before operating it any further.
- Unplug the unit from the wall outlet if it is not to be used for several days.
- To disconnect the ac power cord, pull it out by the plug. Never pull the cord itself.

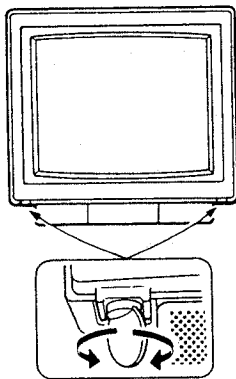
On installation

- Allow adequate air circulation to prevent internal heat build-up. Do not place the unit on surfaces (rugs, blankets, etc.) or near materials (curtains, draperies) that may block the ventilation holes.
- Do not install the unit in a location near heat sources such as radiators or air ducts, or in a place subject to direct sunlight, excessive dust, mechanical vibration or shock.

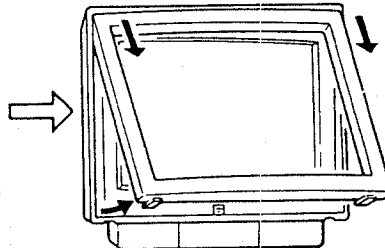
On cleaning

- To keep the unit looking brand-new, periodically clean it with a soft cloth. Stubborn stains may be removed with a cloth lightly dampened with a mild detergent solution. Never use strong solvents such as thinner or benzine, or abrasive cleansers since these will damage the cabinet. As a safety precaution, unplug the unit before cleaning it.
- To clean the screen, the frame and the screen shield may be removed as follows.

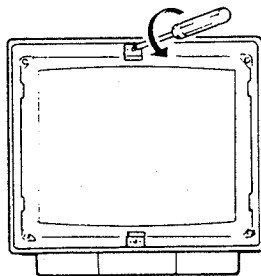
1 Remove the screws with a coin or similar object.



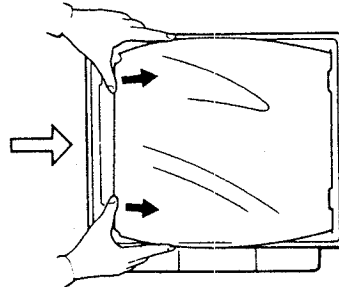
2 Remove the frame.



3 Remove the screws with a screwdriver.



4 Remove the screen shield.

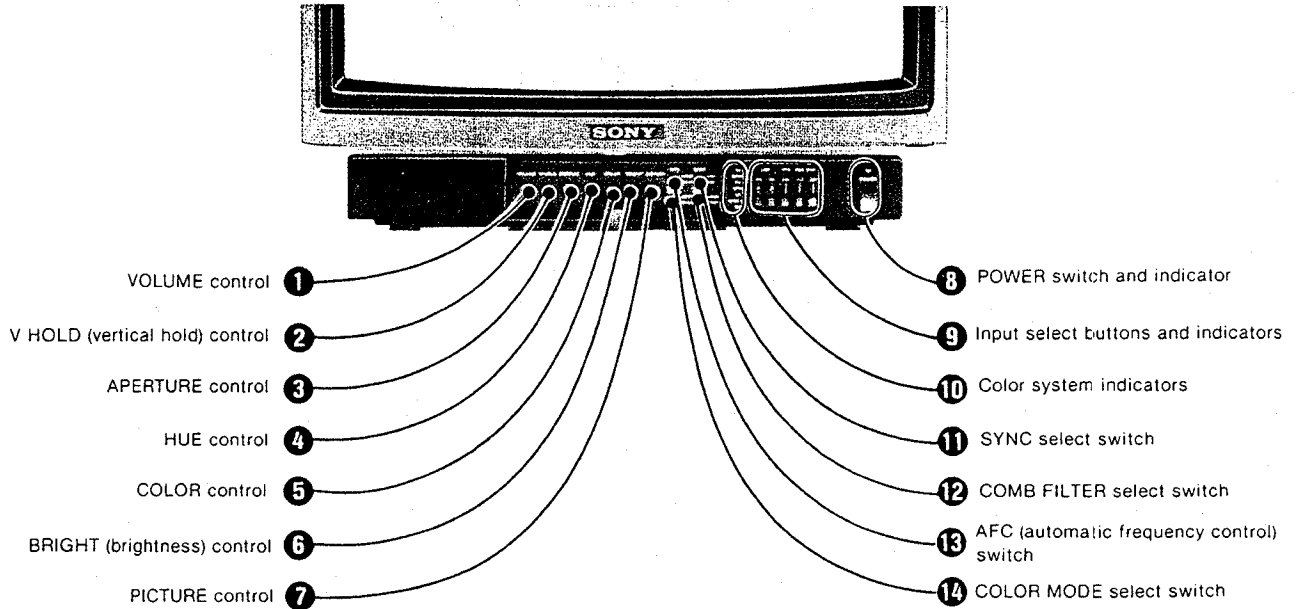


On repacking

Do not throw away the carton and packing materials. They make an ideal container in which to transport the unit. When shipping the unit to another location, repack it as illustrated on the carton.

If you have any questions about this unit, contact your Sony service facility.

1-3. LOCATION AND FUNCTION OF PARTS AND CONTROLS



On the top: Color temperature selector
 This selector is set to 9,300°K at the factory. If necessary, set to 6,500°K with a minus screwdriver.

- 1 VOLUME control**
Turn this control clockwise or counterclockwise to obtain the desired volume.
- 2 V HOLD (vertical hold) control**
If the picture rolls vertically, correct it with this control.
- 3 APERTURE control**
Adjusts the sharpness of the picture. When the control is turned all the way to the left, the picture will have normal control. If reception conditions result in a snowy picture, better results will be obtained with a softer picture.
- 4 HUE control**
This control is effective only for the NTSC or NTSC4.43 system. Use to obtain the most natural skin tones. Clockwise rotation makes the skin tones greenish; counterclockwise rotation makes them purplish.
- 5 COLOR control**
Adjusts the color intensity of the picture. Clockwise rotation makes the picture vivid; counterclockwise rotation makes it pale.
- 6 BRIGHT (brightness) control**
Adjusts the brightness. Normally set this control at the center detent position.
- 7 PICTURE control**
Adjusts the contrast, color intensity and brightness simultaneously in the proper ratio.
- 8 POWER switch and indicator**
To turn the monitor on, depress the POWER switch. The indicator will light. To turn the monitor off, press the switch again.

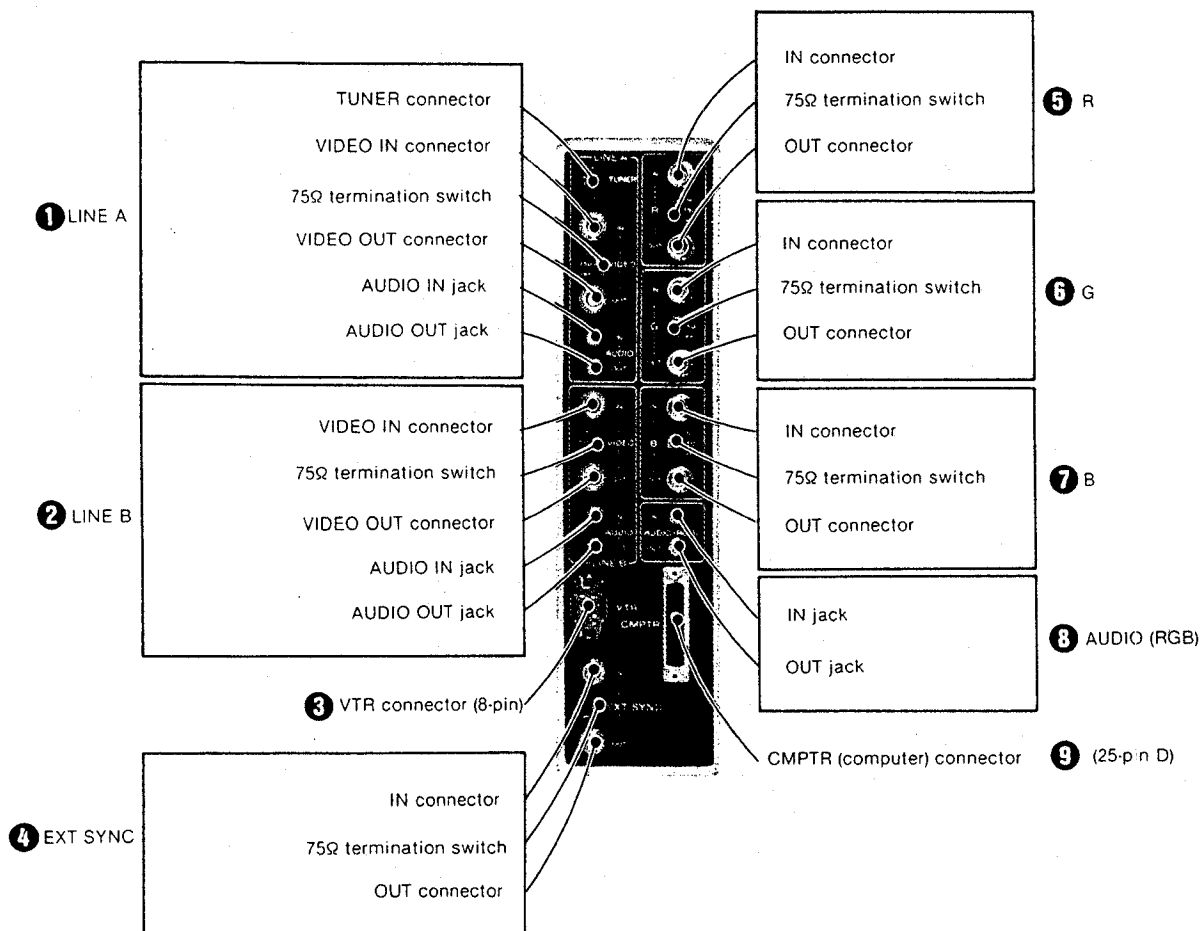
- 9 Input selector buttons and indicators**
Press to select the program to be monitored.
 LINE A: for a signal from the LINE A (VIDEO/AUDIO or TUNER) (TUNER) connectors.
 LINE B: for a signal from the LINE B connectors.
 VTR: for a signal from the 8-pin VTR connector.
 RGB: for a signal from the R, G, B and AUDIO (RGB) connectors.
 CMPTR: for a signal from the 25-pin CMPTR connector.

When an input select button is pressed, the indicator above the button will light up.

- 10 Color system indicators**
Indicate the color system of the playback of the VTR.
- 11 SYNC select switch**
Sync may be supplied from an external sync generator to the EXT SYNC IN connector on the rear panel. When an external SYNC is supplied with either composite or non-composite video input, release the SYNC SELECT switch (EXT). When composite video is supplied without external sync, depress the SYNC select switch (INT).
- 12 COMB FILTER select switch**
Keep this switch depressed (COMB) during normal use to obtain fine picture detail without color spill or color noise. When a microcomputer, such as the APPLE II, is connected and stripes appear, release this switch (TRAP).
- 13 AFC (automatic frequency control) switch**
Select the AFC operation in the fast mode or slow mode.
 FAST: incoming sync timing errors are compensated for.
 SLOW: incoming sync timing errors are displayed on the screen. This mode is used to monitor the jitter from the VTR.
- 14 COLOR MODE select switch**
Usually keep this switch depressed to select the color system automatically. Release this switch when the picture receiving SECAM color sources is distorted. The picture will become clear.

1-4. SYSTEM CONNECTION

CONNECTORS FOR VIDEO/AUDIO/MICROCOMPUTER



1 LINE A 2 LINE B

Press the LINE A or LINE B input select button to monitor the signal.

TUNER connector (BNC)

Connect to the output connector on the special color TV tuner with the connecting cable supplied with the tuner. The video and audio signals and power can be connected simultaneously with this cable. When the tuner is connected to this connector, the VIDEO IN/OUT connectors and the AUDIO IN/OUT connectors of LINE A cannot be used. Press the LINE A input select switch to monitor the signal from a color TV tuner.

VIDEO IN connectors (BNC)

Connect to the video output of a video tape recorder or another monitor (for loop through connection), or to a color camera.

75Ω termination switches

When only one monitor is used, set the switch to ON. When several monitors are connected, set the switch of the last monitor in the looped chain to ON and set it to OFF on the other monitors.

VIDEO OUT connectors (BNC)

Connect to the video input of another monitor or a video tape recorder.

AUDIO IN jacks (minijack)

Connect to the audio output of a video tape recorder or another monitor (for loop through connection), or to a microphone using a suitable microphone amplifier.

AUDIO OUT jacks (minijack)

Connect to the audio input of another monitor or a video tape recorder.

3 VTR connector (8-pin)

Connect to a video tape recorder equipped with an 8-pin connector. For monitoring, press the VTR input select button. For connection, use the optional video cable, VMC-3P(3 m), -5P(5 m), -10P(10 m), -25P(25 m) or -50P(50 m).

4 EXT SYNC

IN connector (BNC)

Connect to an external sync generator.

75Ω termination switch

When equipment is connected to the EXT SYNC OUT connector, set the switch to OFF. When nothing is connected, set to ON.

OUT connector (BNC)

Supplies the external sync signal from the external sync generator connected to the EXT SYNC IN connector.

5 R 6 G 7 B**IN connectors (BNC)**

Allow a character generator, microcomputer or video camera having analog RGB outputs to be connected. Press the RGB input select button to monitor the signal.

75Ω termination switches

When only one monitor is used, set the switch to ON. When several monitors are connected, set the switch of the last monitor in the looped chain to ON and set it to OFF on the other monitors.

OUT connectors (BNC)

Connect to the analog RGB inputs of another monitor.

8 AUDIO (RGB)**IN jack (minijack)**

Connect to the audio output of the equipment connected to the RGB IN connectors. Press the RGB input select button to monitor the signal.

OUT jack (minijack)

Connect to the RGB audio input of another monitor.

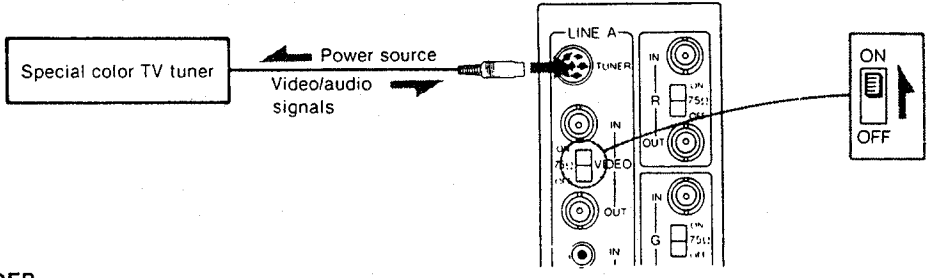
9 CMPTR (computer) connector (25-pin D)

Connect to a microcomputer with digital or analog RGB outputs. Press the CMPTR input select button to monitor the signal.

For Service Manuals Contact
MAURITRON TECHNICAL SERVICES
8 Cherry Tree Rd, Chinnor
Oxon OX9 4QY
Tel: 01844-351694 Fax: 01844-352554
Email: enquiries@mauritron.co.uk

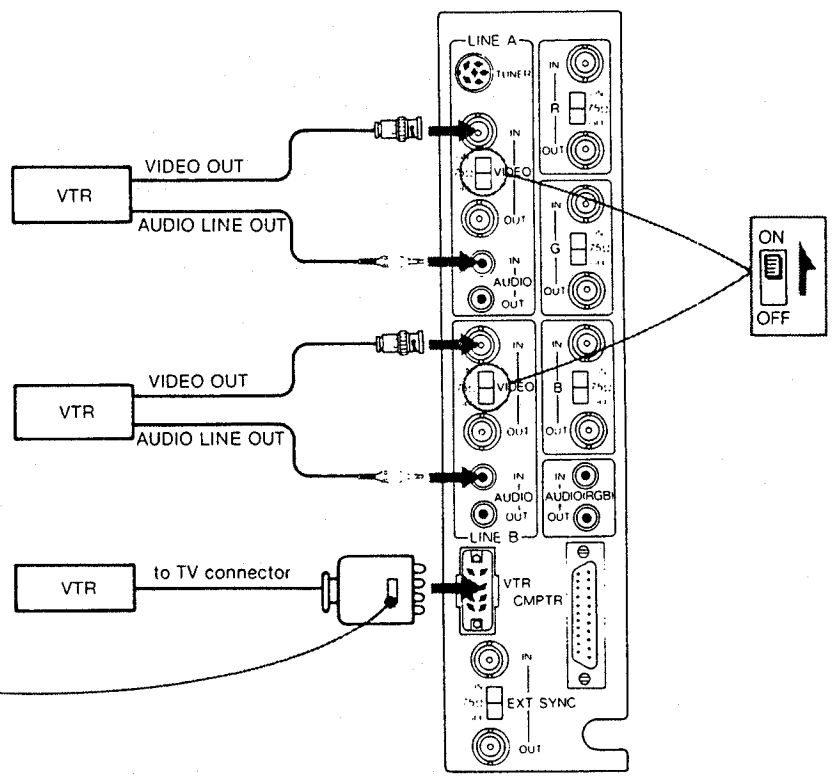
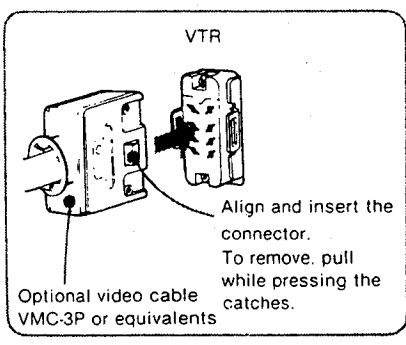
PVM-2010QM

CONNECTING A COLOR TV TUNER

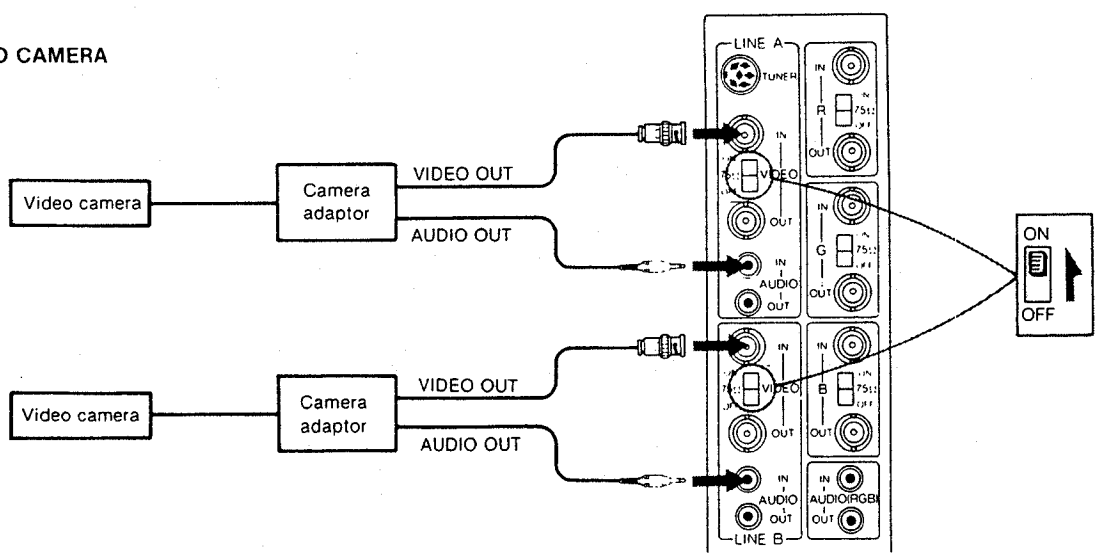


CONNECTING A VIDEO TAPE RECORDER

Note
When monitoring the picture at fast speed, the picture may roll vertically or become monochrome.



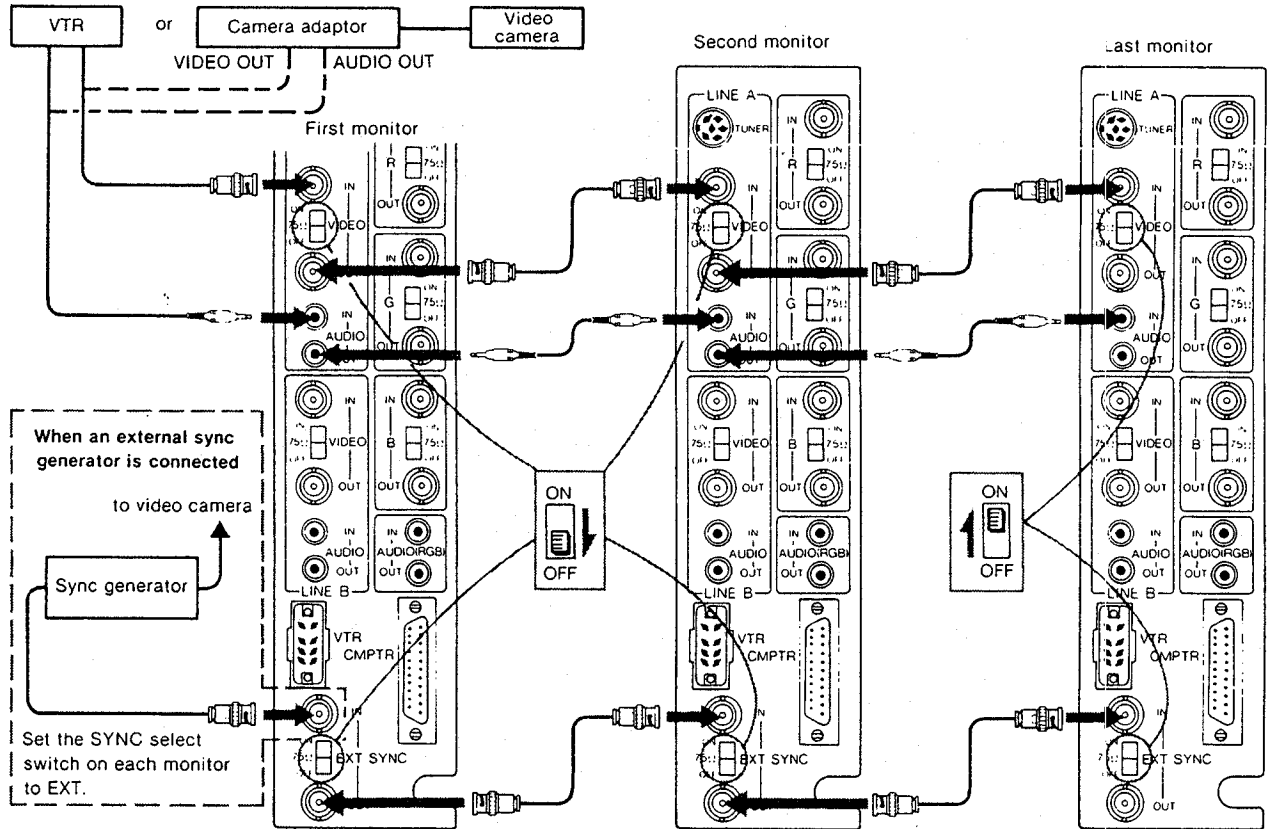
CONNECTING A VIDEO CAMERA



MULTIPLE MONITOR CONNECTION

Up to 10 monitors may be connected. Set the 75Ω termination switch of the last monitor to ON and that of the other monitors to OFF.

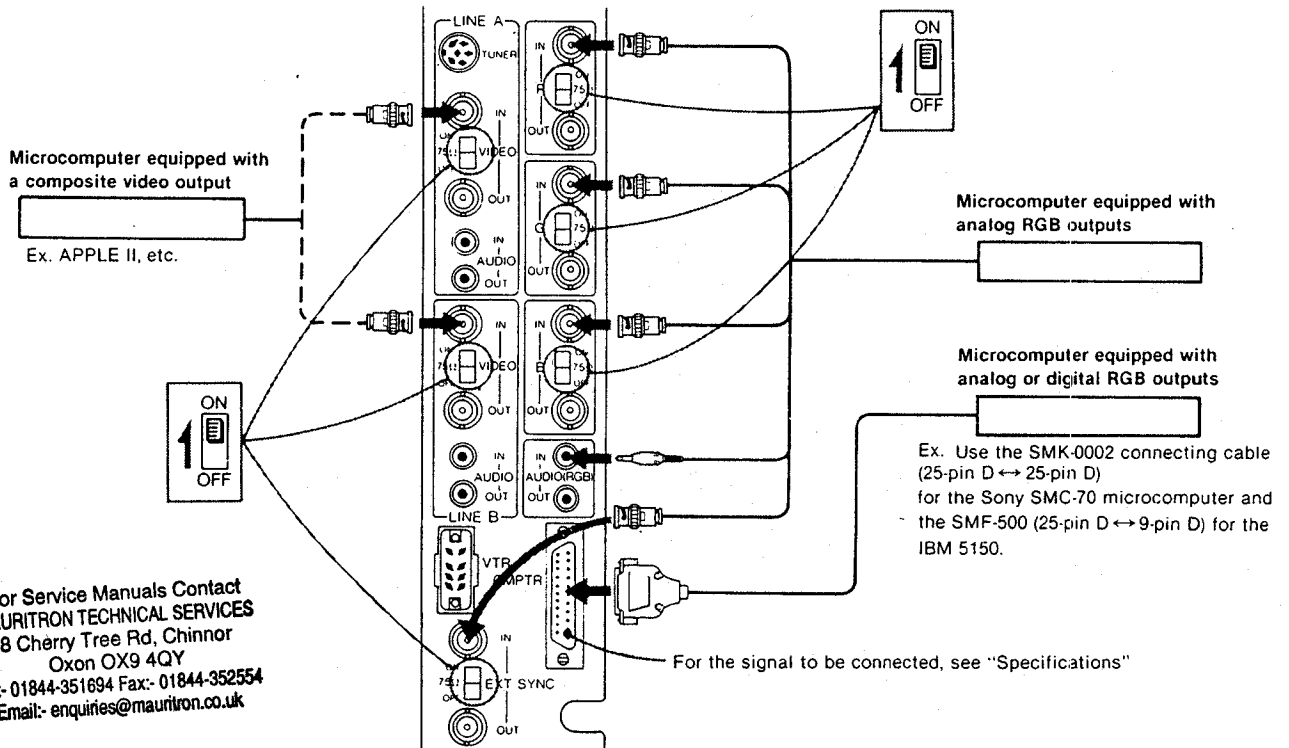
The LINE A or LINE B input select button on each monitor should be pushed in.



CONNECTING A MICROCOMPUTER

The CMPTR connector allows a microcomputer with digital or analog RGB outputs to be connected. The R, G and B IN connectors

allow a microcomputer with analog RGB outputs to be connected.



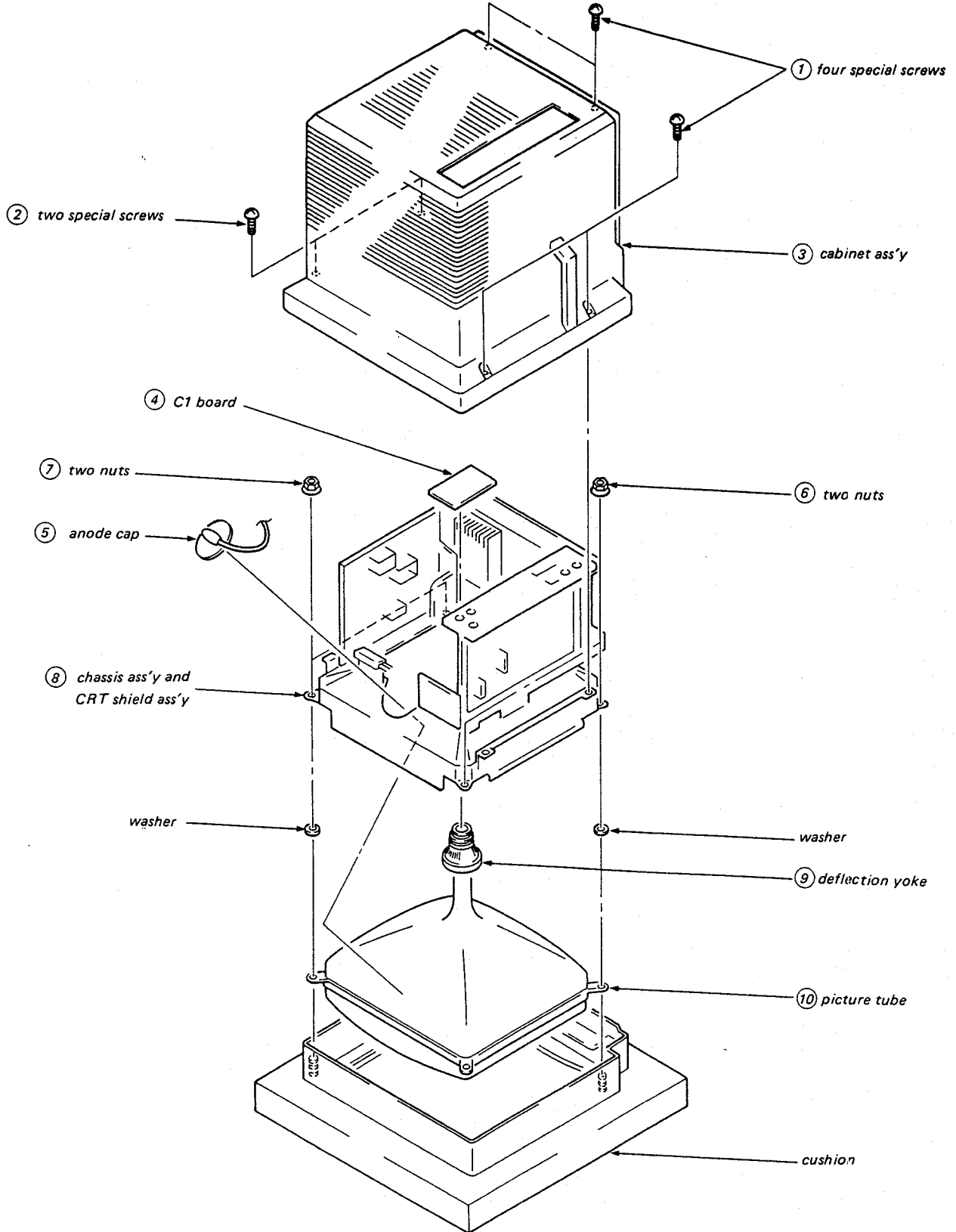
For Service Manuals Contact
MAURITRON TECHNICAL SERVICES
 8 Cherry Tree Rd, Chinnor
 Oxon OX9 4QY
 Tel: 01844-351694 Fax: 01844-352554
 Email: enquiries@maurtron.co.uk

(BLANK - PAGE)

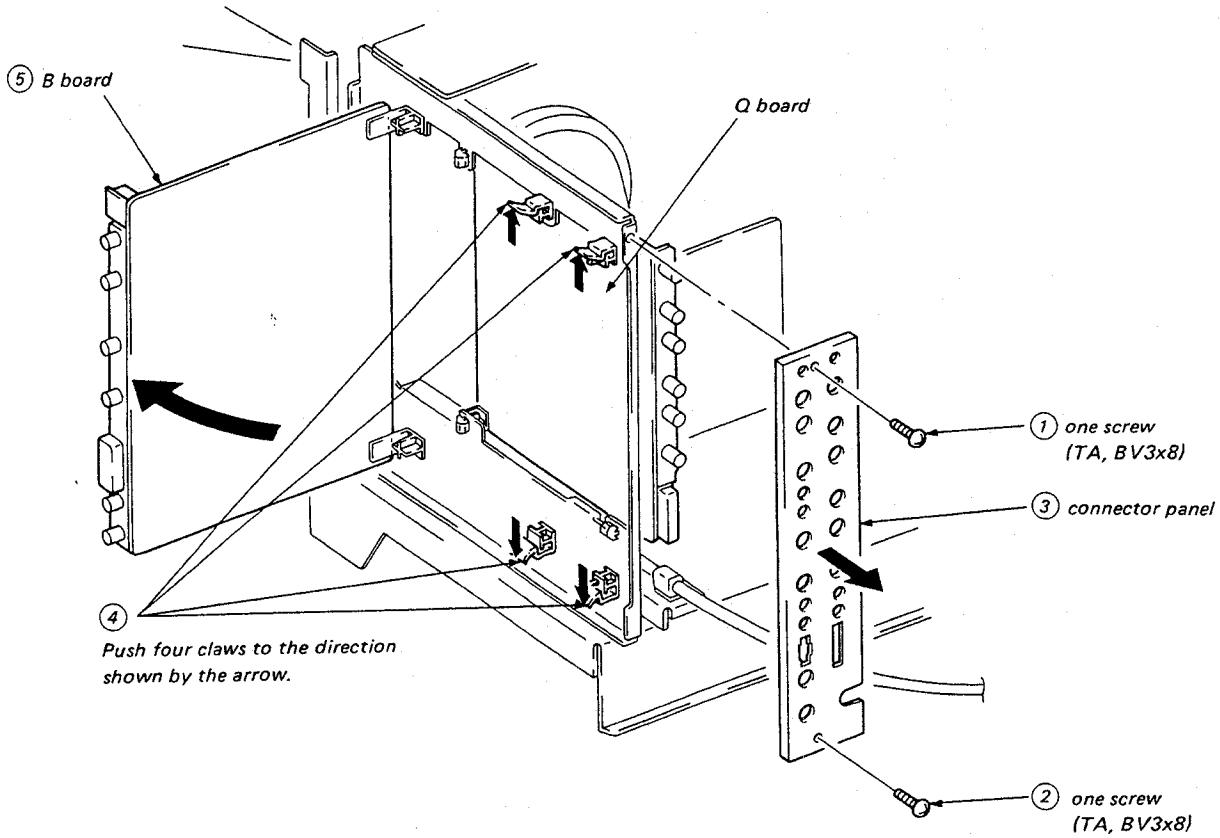
**SECTION 2
DISASSEMBLY**

For Service Manuals Contact
MAURITRON TECHNICAL SERVICES
8 Cherry Tree Rd, Chinner
Oxon OX9 4QY
Tel: 01844-351694 Fax: 01844-352554
Email: enquiries@mauritron.co.uk

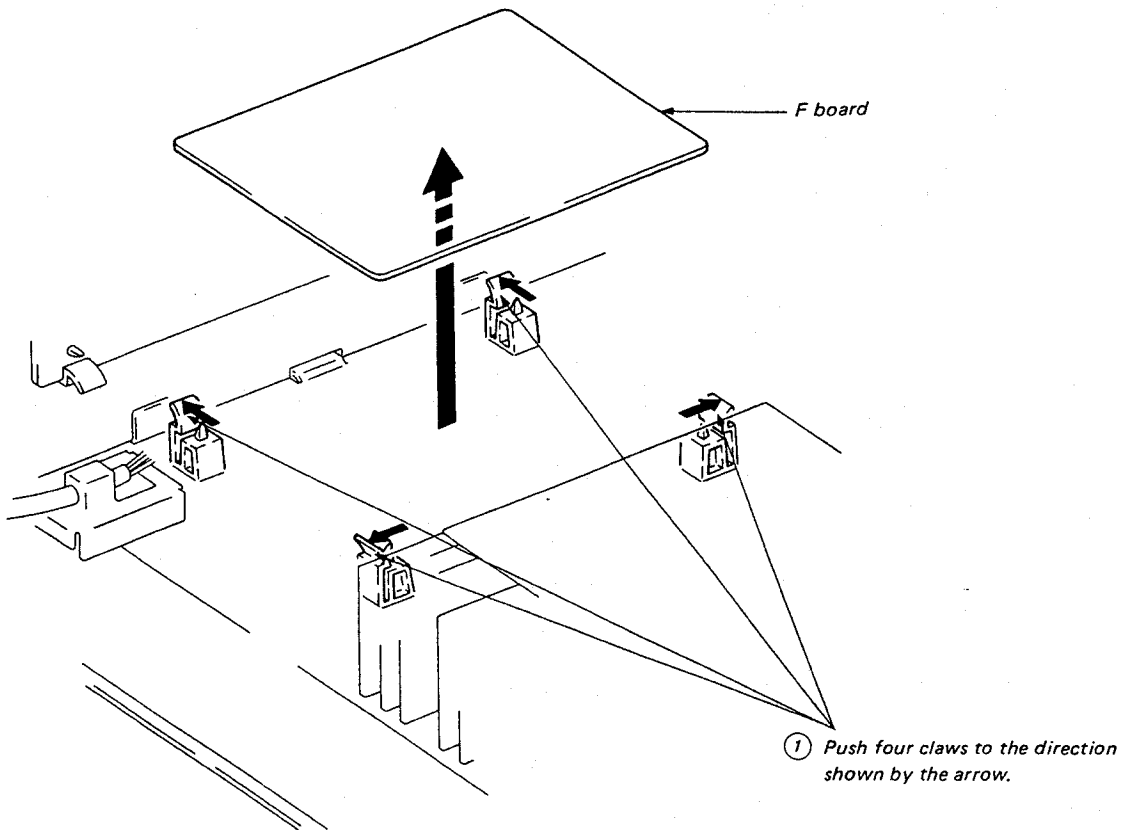
(1) CABINET ASS'Y AND PICTURE TUBE REMOVAL



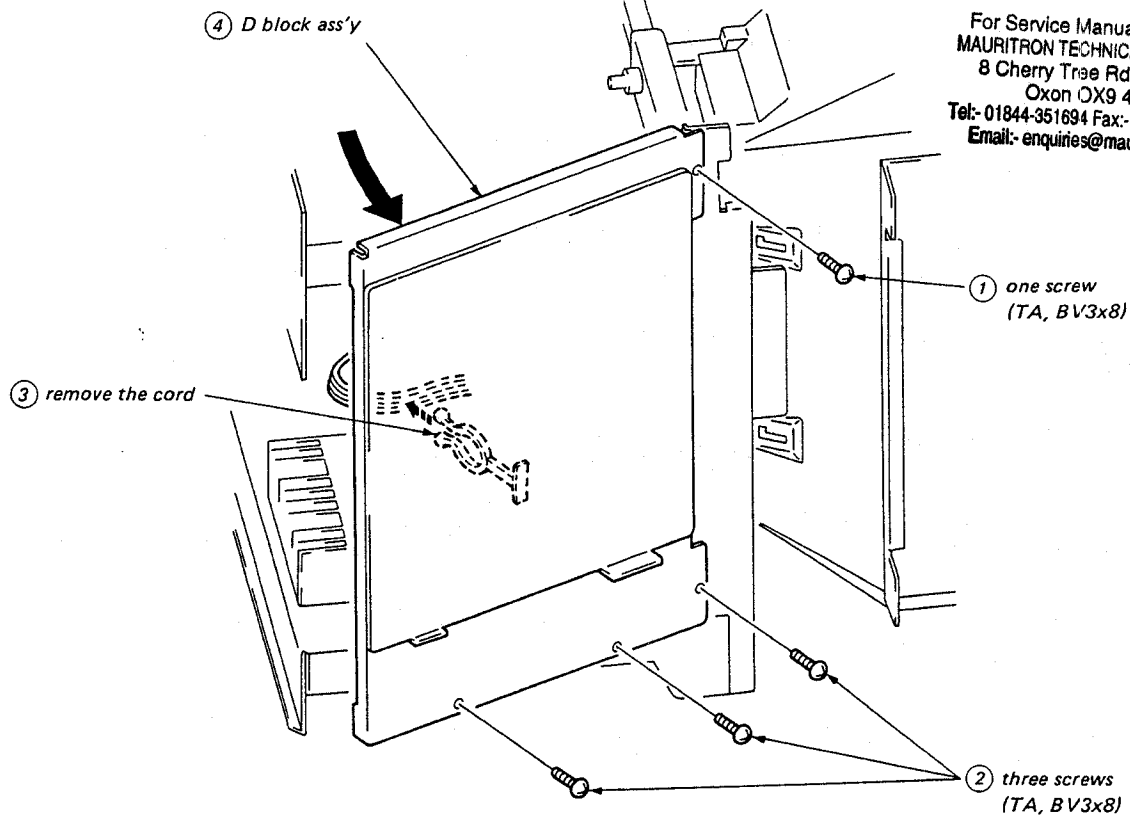
(2) FOR CHECKING B AND Q BOARD UP



(3) F BOARD REMOVAL

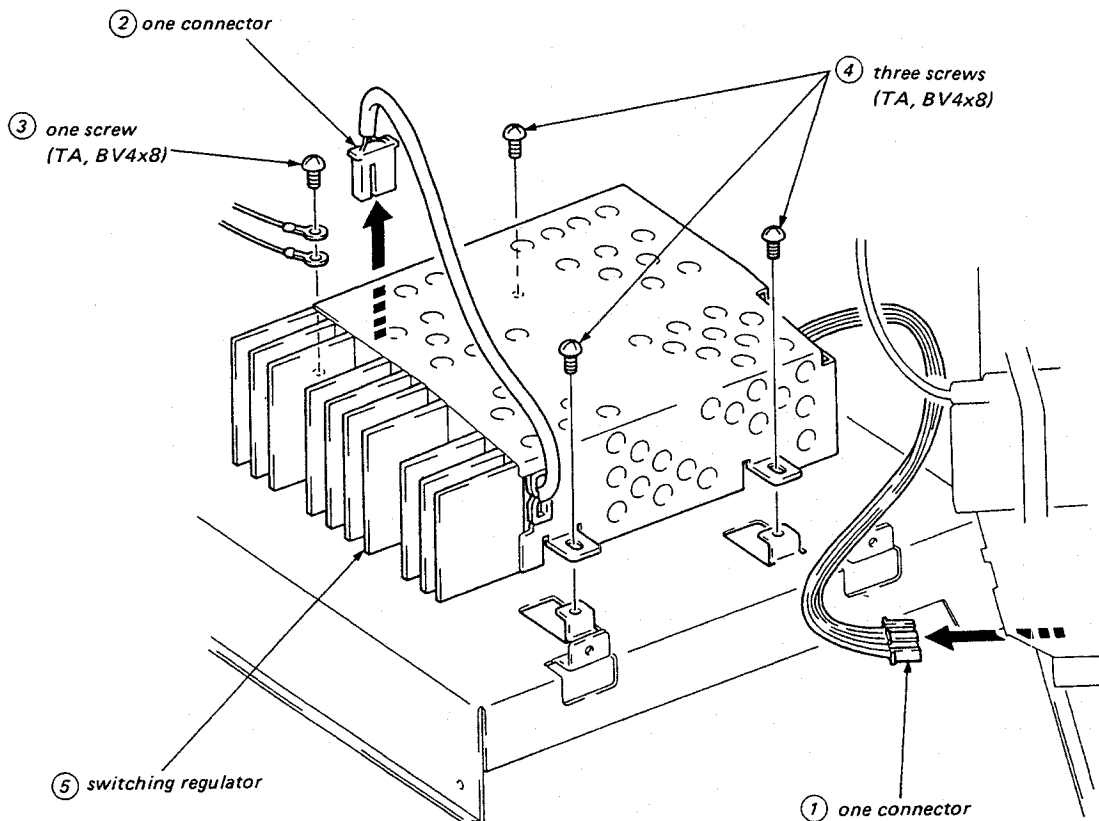


(4) SWITCHING REGULATOR REMOVAL ... (1)

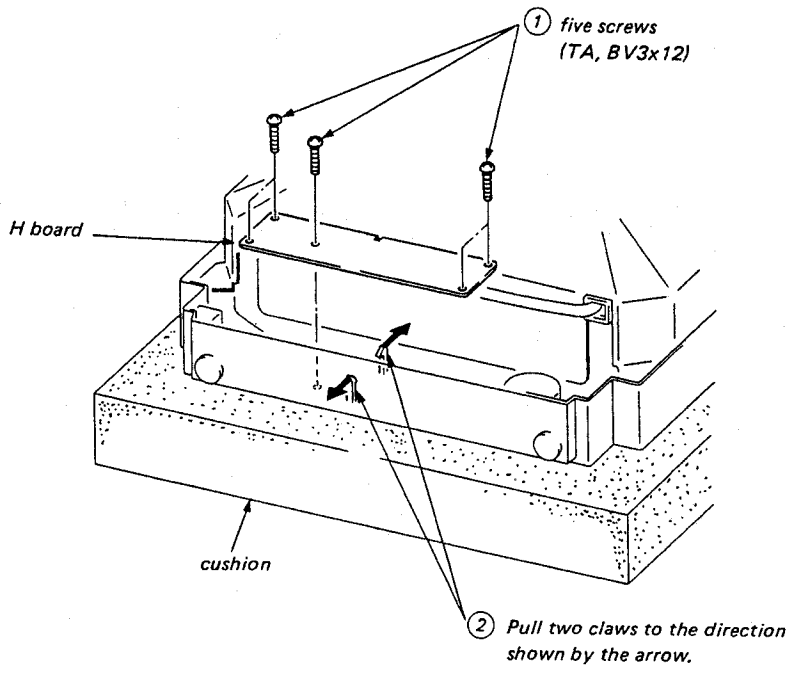


For Service Manuals Contact
 MAURITRON TECHNICAL SERVICES
 8 Cherry Tree Rd, Chinnor
 Oxon OX9 4QY
 Tel:- 01844-351694 Fax:- 01844-352554
 Email:- enquiries@mauritron.co.uk

(5) SWITCHING REGULATOR REMOVAL ... (2)



(6) H BOARD REMOVAL



SECTION 3
SETUP ADJUSTMENTS

3-1. BEAM LANDING

Landing Adjustment in the case of a 6,500°K color temperature, the number of VRs to be adjusted will differ.

- (1) Turn on set power supply and receive and all-white signal.
- (2) Evenly degauss the entire screen.
- (3) Loosen the deflection yoke mounting screw, and set the purity control to the center as shown in Fig. 1-1.
- (4) Set BKG volume RV708 (G) to maximum and set RV712 (B) and RV704 (R) to minimum.
- (5) Move the deflection yoke back, and adjust the purity control so that (G) is in the center and (R) and (B) are at the sides, evenly. (Fig. 1-2)
- (6) Move the deflection yoke forward so that the entire screen is G.
- * If the deflection yoke is pushed all the way to the CRT then moved slightly back, landing adjustment is easier.
- (7) Substitute (R), then (B) for (G) in step (4) and check landing.
- (8) Rotate (R), (G) and (B) once each and check landing.
- (9) When landing is not right, adjust the purity control and use magnets as shown in Fig. 1-3, then repeat steps (7) and (8).
- (10) When a magnet is used, be sure to perform step (2), and tighten deflection yoke mounting screw loosely.

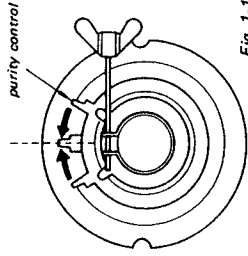


Fig. 1-1.

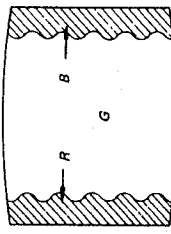


Fig. 1-2.

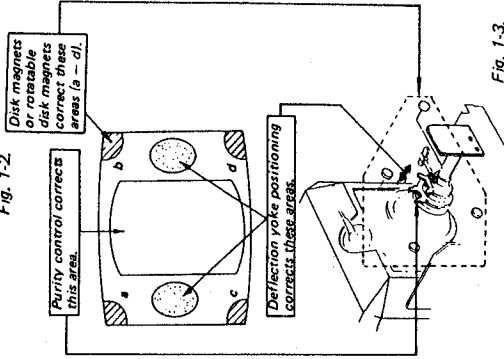
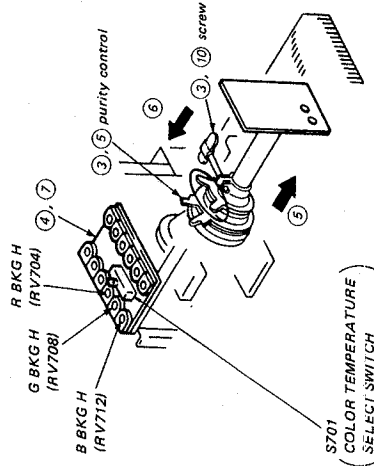


Fig. 1-3.

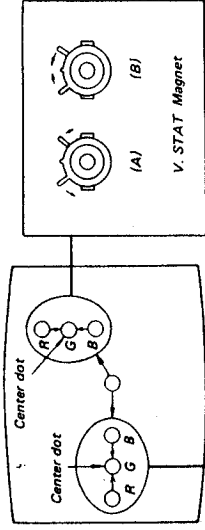


Note: The circled numbers (3)-(7) and (10) shown above steps.

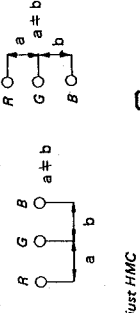
3-2. CONVERGENCE

Preparation:

- Before starting, perform FOCUS, H.SIZE., V.SIZE. and V.LIN adjustments.
- Set BRIGHTNESS control to fully counterclockwise.
- Feed in the dot pattern.



⊙ HMC ⊙ VMC



Adjust HMC



Adjust VMC



- (1) Horizontal and Vertical Static Convergence
If blue dot does not coincide with red and green dots, perform following steps.
Move BMC magnet to correct insufficient H. static convergence.
Rotate BMC magnet to correct insufficient V. static convergence.

In either case, repeat Beam Landing Adjustment.

3-3. FOCUS (RV713)

- (1) Feed in monoscope signal, (PICTURE: 80%, BRIGHT: 50%)
- (2) Adjust RV713 for best Focus.

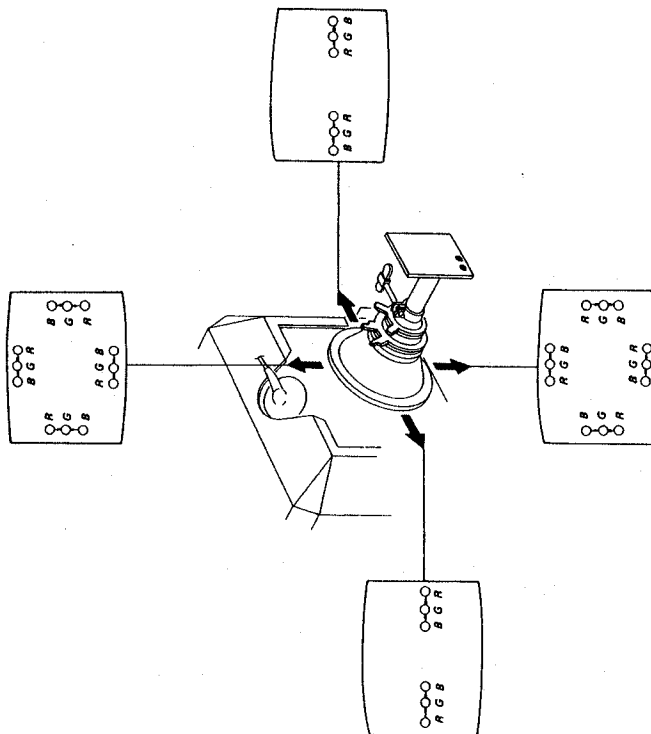
For Service Manuals Contact
MAURITRON TECHNICAL SERVICES
8 Cherry Tree Rd, Chinnor
Oxon OX9 4QY
Tel: 01844-351694 Fax: 01844-352554
Email: enquiries@mauritron.co.uk

(2) Dynamic Convergence Adjustment

Preparation:

- Before starting, perform Horizontal and Vertical Static Convergence Adjustment.
1. Loosen deflection yoke screw.
 2. Remove deflection yoke spacers.
 3. Move the deflection yoke for best convergence as shown below.
 4. Tighten the deflection yoke screw.
 5. Install the deflection yoke spacers.

For Service Manuals Contact
MAURITRON TECHNICAL SERVICES
 8 Cherry Tree Rd, Chinnor
 Oxon OX9 4QY
 Tel: 01844-351694 Fax: 01844-352554
 Email: enquiries@mauritron.co.uk



3-4. WHITE BALANCE

(For 9,300° K Color Temperature:)

- (1) Receive a totally white signal from the pattern generator.
- (2) Set BRIGHT at 50%, PICTURE at 80%, the various BKG VRs (RV704, 708, and 712) at 50%, and the various DRIVE VRsH (RV702, 706, and 710) at 80%.
- (3) Turn all the other BKG VRs than the one for the color that started glowing first, and adjust the white balance at cut-off.
- (4) Adjust the high light side white balance with drive VRs.

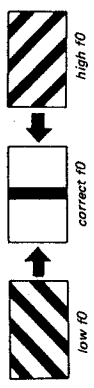
- (5) By turning other drive VRs than the one for the color glowing the brightest of all, adjust the white balance. Repeat operating steps (3) and (4).
 (For 6,500° K Color Temperature:)
- (1) By turning BKG VRs (RV703, 707, and 711) and drive VRs (RV701, 705, and 709), make the same adjustment as in the 9,300° K color temperature mode.
- * After white balance adjustment, set the black level to screen (picture frame) with RV109.

SECTION 4 CIRCUIT ADJUSTMENTS

4-1. D BOARD ADJUSTMENTS

Horizontal Oscillator Frequency Adjustment

- (1) Receive a monoscope signal.
- (2) Set PIC VR at 80% and BRT VR at 50%, and connect for an external sync.
- (3) Ground the Q502 base.
- (4) Turn H FREQ VR (RV504), and adjust for the image to stop flowing.

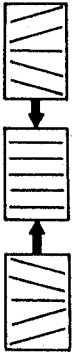


Horizontal Deflection Block Adjustment

- (1) Receive a monoscope signal.
- (2) Set BRIGHT at 80% and BRIGHT at 50%.
- (3) Turn H PHASE VR (RV505), verify that the H center will shift accordingly, and turn the VR to the extreme clockwise position.
- (4) Turn H CENT VR (RV506), and verify that the H center will shift accordingly.
- (5) Turn the HLC (L505) core for the picture size to be maximized.
- (6) Adjust H SIZE VR (RV801) for the H size at screen center to be made 16 frames.

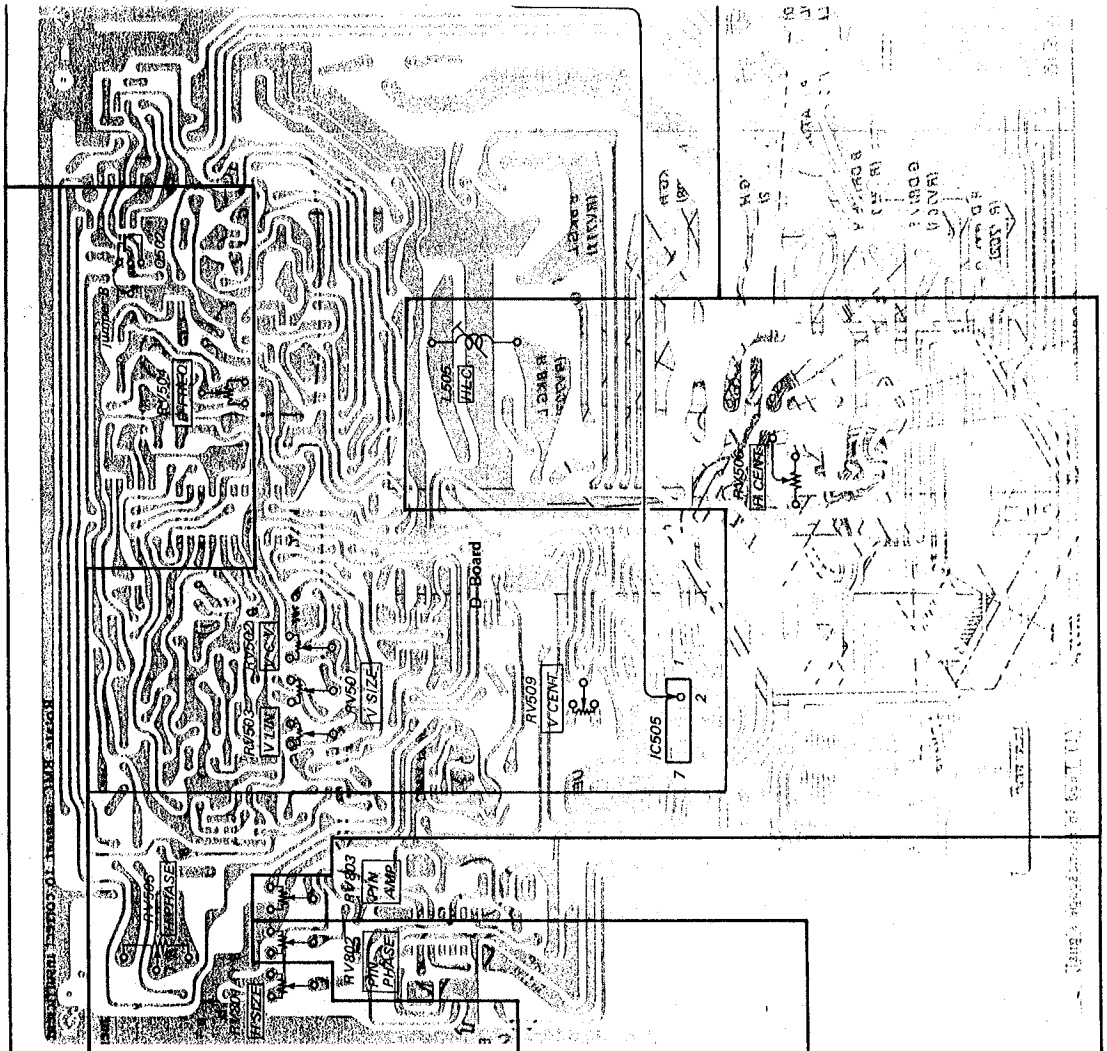
PIN PHASE ADJUSTMENT

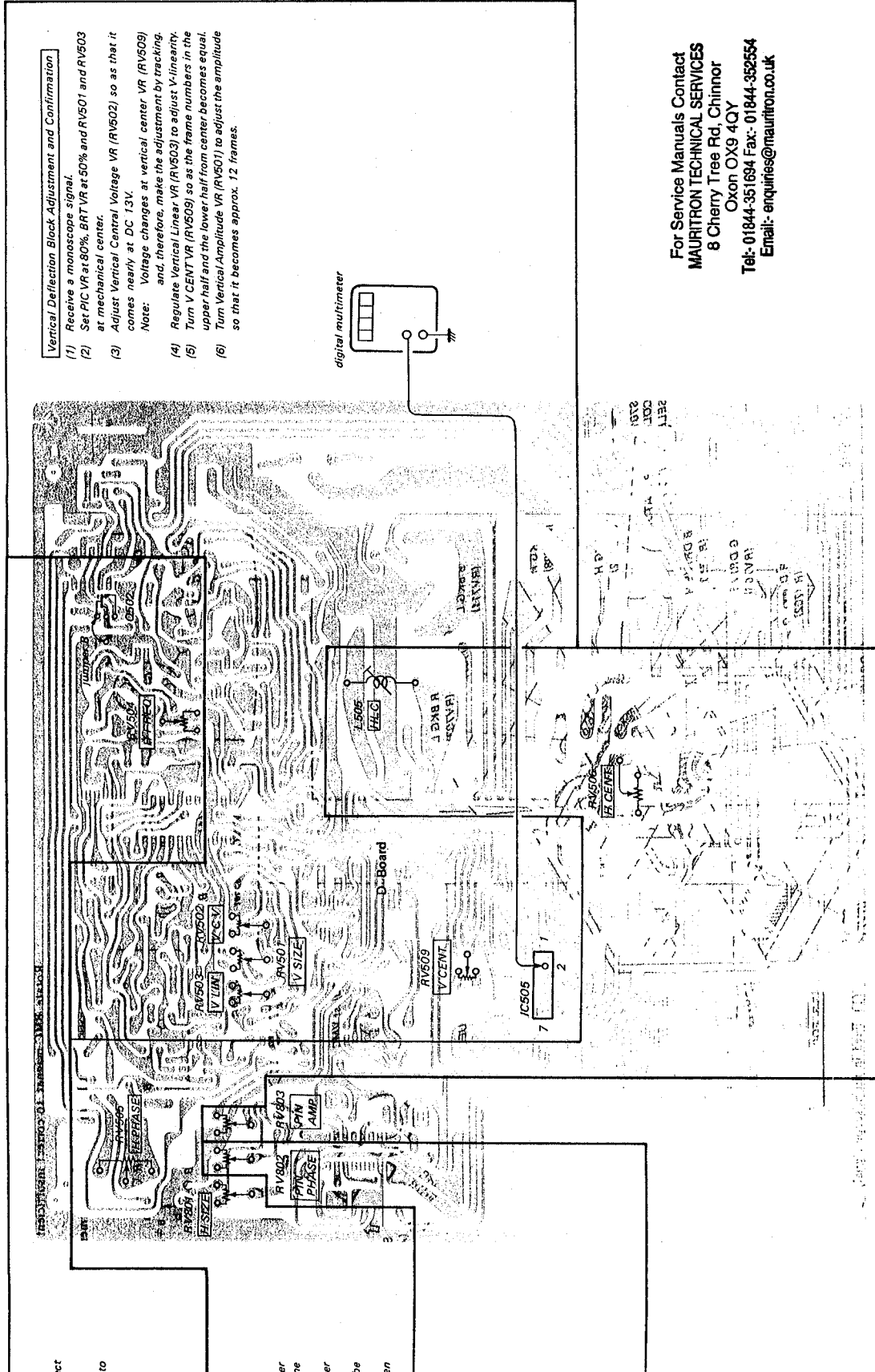
Adjust RV802 to make vertical lines straight as shown.



PIN AMP ADJUSTMENT

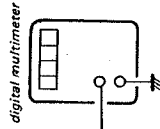
Adjust RV803 to make vertical lines straight as shown.





Vertical Deflection Block Adjustment and Confirmation

- (1) Receive a monoscope signal.
- (2) Set PIC VR at 80% BRT VR at 50% and RV501 and RV503 at mechanical center.
- (3) Adjust Vertical Central Voltage VR (RV602) so as that it comes nearly at DC 13V.
Note: Voltage changes at vertical center VR (RV509) and, therefore, make the adjustment by tracking.
- (4) Regulate Vertical Linear VR (RV603) to adjust V-linearity.
- (5) Turn V CENT VR (RV509) so as the frame numbers in the upper half and the lower half from center becomes equal.
- (6) Turn Vertical Amplitude VR (RV501) to adjust the amplitude so that it becomes approx. 12 frames.



For Service Manuals Contact
MAURITRON TECHNICAL SERVICES
 8 Cherry Tree Rd, Chinnor
 Oxon OX9 4QY
 Tel: 01844-351694 Fax: 01844-352554
 Email: enquiries@maurifron.co.uk

ANTI-PAL, LINE CRAWLING Adjustment

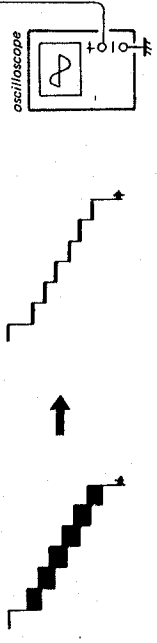
- (1) Anti-PAL Adjustment
 - 1) Input a special color bar.
 - 2) PICTURE 80%
COLOR 50%
BRT 50%
 - 3) Confirm that there is no color on the first anti-PAL signal frames at the right and left of the picture. If there is, adjust to remove the anti-PAL color at both sides while tracking with RV103 (HUE CENT) and RV110 (DELAY ADJ).
- (2) Line Crawling Adjustment
 - 1) Input a PAL color bar.
 - 2) Adjust T104 (DAT) for minimum line crawling.
 - 3) Confirm the anti-PAL adjustment in (1), and repeat (2) and (1), if necessary.

APC Adjustment

- (1) 4.43 (APC-2) Adjustment
 - 1) Input a PAL color bar.
 - 2) Connect a 100K Ω resistor between RV105 pin ② and ground. (Killer circuit goes off.)
 - 3) Connect IC104 pin ③ to +B via the 2.2K Ω resistor to get 4.43 mode.
 - 4) Ground IC103 pin ⑥ with a 10 μ /16V chemical capacitor and remove color sync.
 - 5) Adjust RV105 (APC-2) to get color sync.

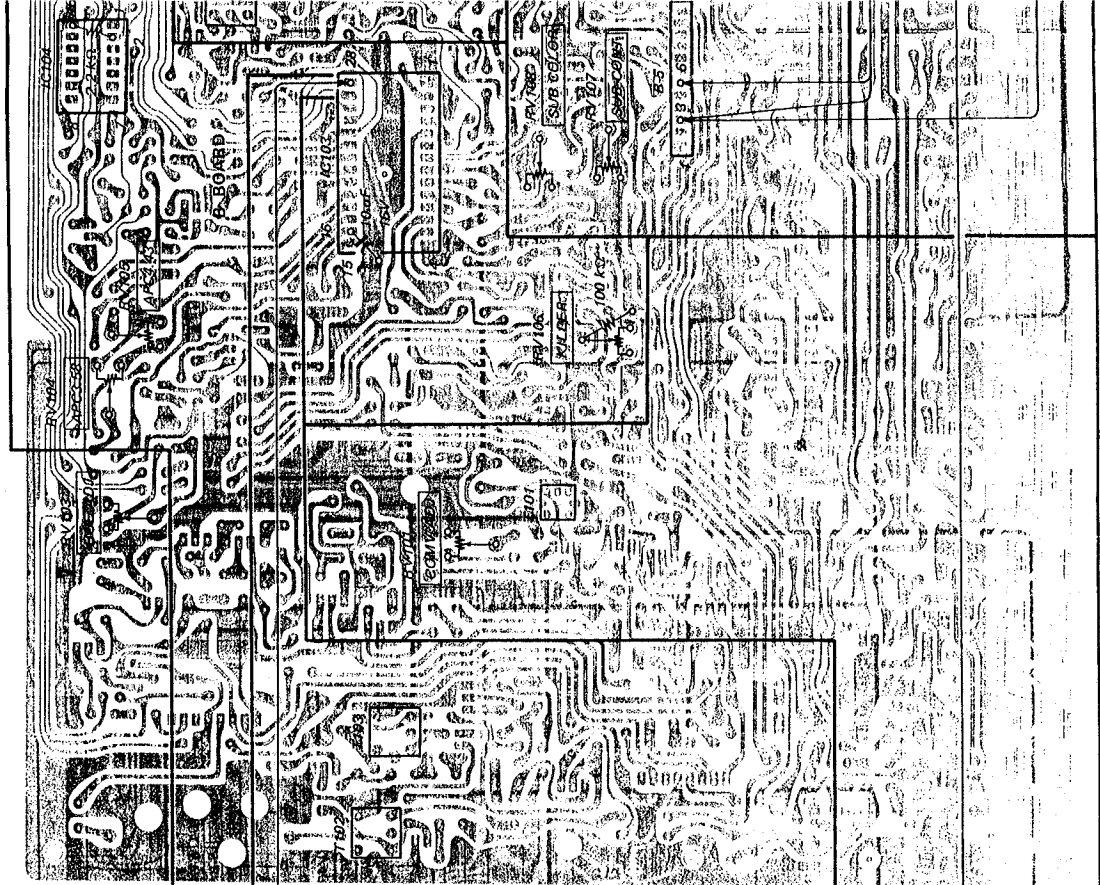
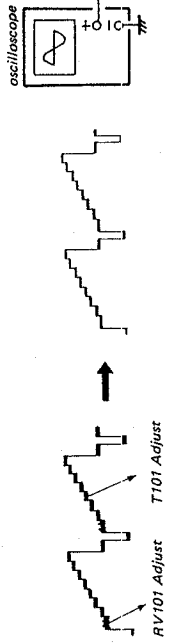
CHROMA TRAP Adjustment

- (1) 4.43 Trap Adjustment
 - 1) Input a PAL color bar.
 - 2) Observe IC103 pin ⑤ waveform on the oscilloscope and adjust T103 for minimum chrome component.
- (2) SECAM Trap Adjustment
 - 1) Input a SECAM color bar.
 - 2) Observe IC103 pin ⑤ waveform on the oscilloscope and adjust T102 for minimum chrome component.

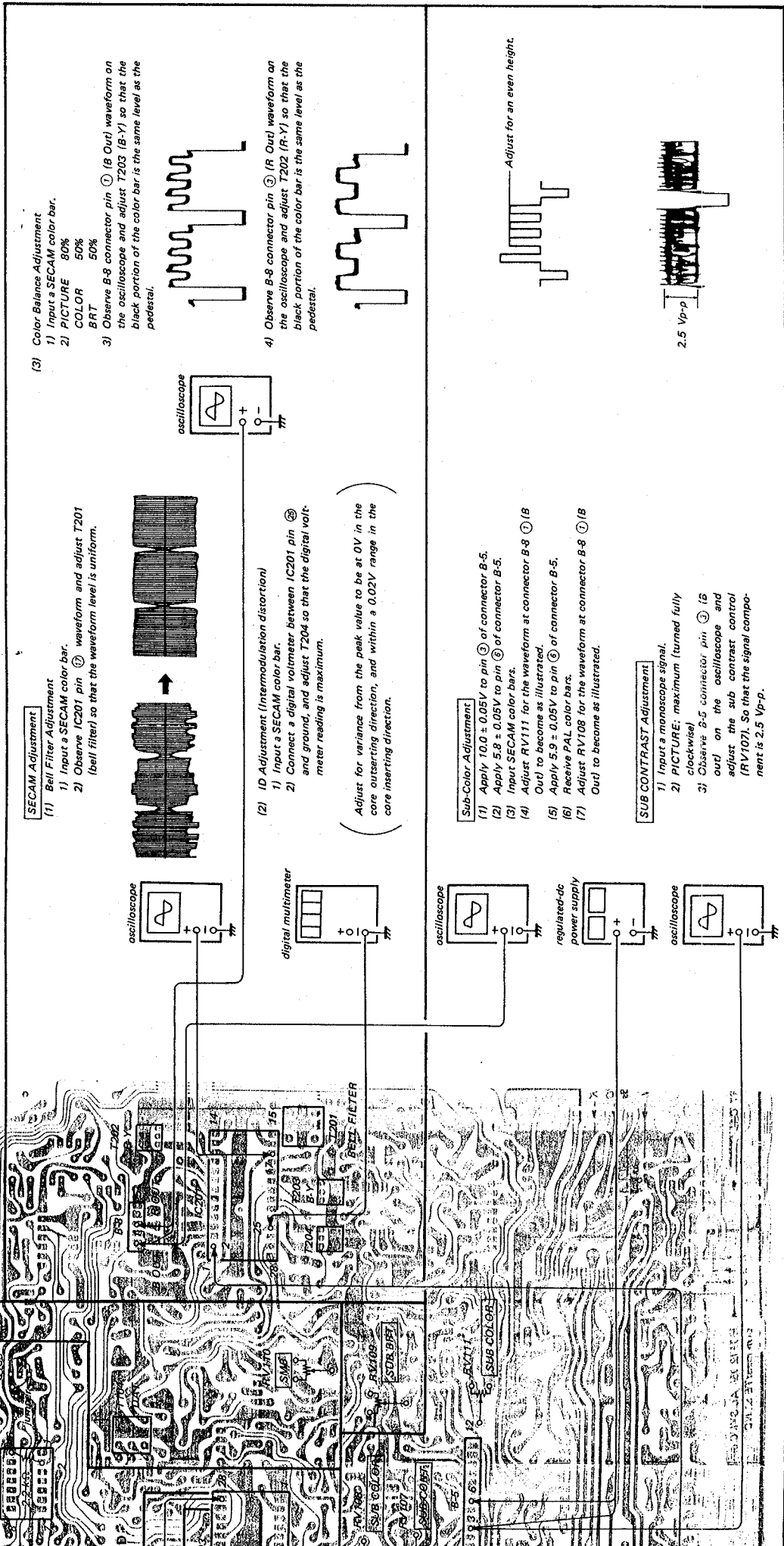


COMB FILTER Adjustment

- (1) TH Delay Adjustment
 - 1) Input a NTSC color bar.
 - 2) Observe the IC201 Pin ③ waveform on the oscilloscope, and adjust so that the chroma component is minimum while tracking with RV101 and T101.



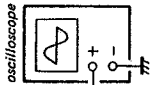
For Service Manuals Contact
MAURITRON TECHNICAL SERVICES
 8 Cherry Tree Rd, Chinnor
 Oxon OX9 4CY
 Tel: 01844-351694 Fax: 01844-352564
 Email: enquiries@mauritron.co.uk



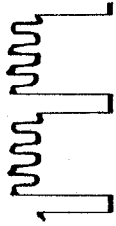
SECAM Adjustment

(1) Bell Filter Adjustment

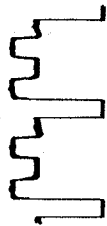
- 1) Input a SECAM color bar.
- 2) Observe IC201 pin ① waveform and adjust T201 (bell filter) so that the waveform level is uniform.



- (3) **Color Balance Adjustment**
- 1) Input a SECAM color bar.
- 2) PICTURE 80%
COLOR 50%
BRT 50%
- 3) Observe B-8 connector pin ① (B Out) waveform on the oscilloscope and adjust T203 (B-Y) so that the black portion of the color bar is the same level as the pedestal.



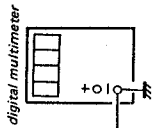
- 4) Observe B-8 connector pin ③ (R Out) waveform on the oscilloscope and adjust T202 (R-Y) so that the black portion of the color bar is the same level as the pedestal.



(2) ID Adjustment (Intermodulation distortion)

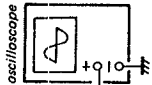
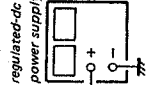
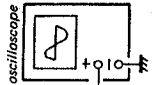
- 1) Input a SECAM color bar.
- 2) Connect a digital voltmeter between IC201 pin ② and ground, and adjust T204 so that the digital volt-meter reading is maximum.

(Adjust for variance from the peak value to be at 0V in the core outserting direction, and within a 0.02V range in the core inserting direction.)



Sub-Color Adjustment

- (1) Apply 10.0 ± 0.05V to pin ③ of connector B-5.
- (2) Apply 5.8 ± 0.05V to pin ② of connector B-5.
- (3) Input SECAM color bars.
- (4) Adjust RV111 for the waveform at connector B-8 ① (B Out) to become as illustrated.
- (5) Apply 5.9 ± 0.05V to pin ⑤ of connector B-5.
- (6) Receive PAL color bars.
- (7) Adjust RV108 for the waveform at connector B-8 ① (B Out) to become as illustrated.

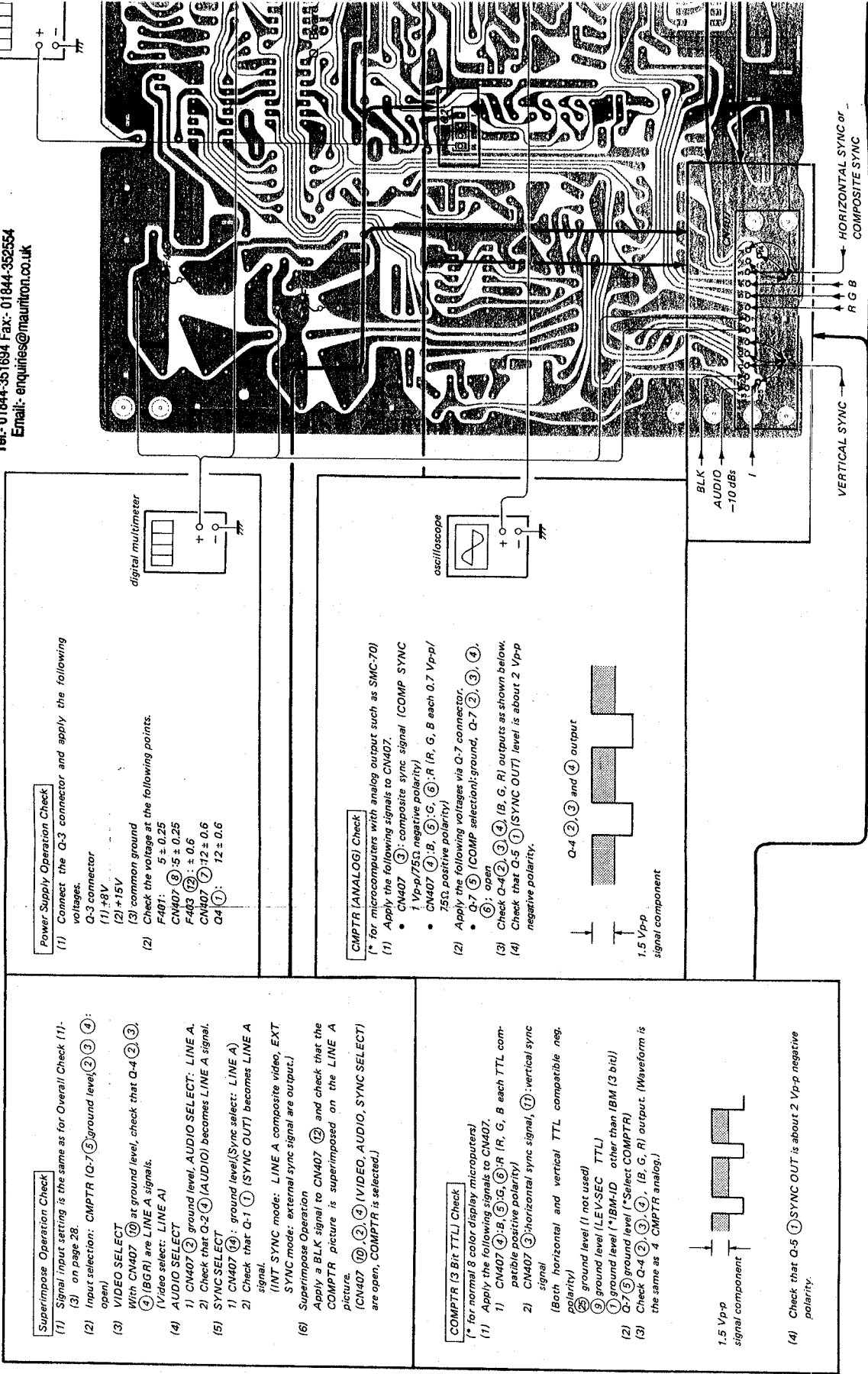


SUB CONTRAST Adjustment

- 1) Input a monoscope signal.
- 2) PICTURE: maximum (turned fully clockwise)
- 3) Observe B-5 connector pin ③ (B out) on the oscilloscope and adjust the sub contrast control (RV107). So that the signal component is 2.5 Vp-p.



For Service Manuals Contact
MAURITRON TECHNICAL SERVICES
 8 Cherry Tree Rd, Chinnor
 Oxon OX9 4QY
 Tel: 01844-351694 Fax: 01844-352554
 Email: enquires@mauritron.co.uk

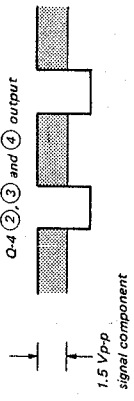
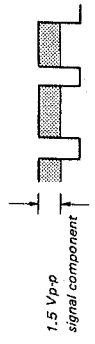


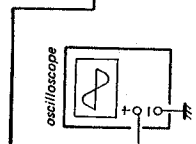
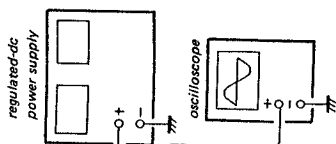
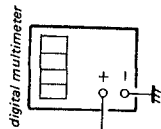
Superimpose Operation Check
 (1) Signal input setting is the same as for Overall Check (1).
 (3) on page 28.
 (2) Input selection: COMPTR (Q-7) (5) ground level, (2) (3) (4): open
 (3) VIDEO SELECT
 With CN407 (10) at ground level, check that Q-4 (2) (3), (4) (B, G, R) are LINE A signals.
 (Video select: LINE A)
 (4) AUDIO SELECT
 1) CN407 (2) ground level, AUDIO SELECT: LINE A.
 2) Check that Q-2 (4) (AUDIO) becomes LINE A signal.
 (5) SYNC SELECT
 1) CN407 (16): ground level (Sync select: LINE A)
 2) Check that Q-1 (1) (SYNC OUT) becomes LINE A signal.
 (INT SYNC mode: LINE A composite video, EXT SYNC mode: external sync signal are output.)
Superimpose Operation
 Apply a BLK signal to CN407 (2) and check that the COMPTR picture is superimposed on the LINE A picture.
 (CN407 (10) (2) (4) (VIDEO, AUDIO, SYNC SELECT) are open, COMPTR is selected.)

Power Supply Operation Check
 (1) Connect the Q-3 connector and apply the following voltages.
 Q-3 connector
 (1) +8V
 (2) +15V
 (3) common ground
 Check the voltage at the following points.
 F-401: 5 ± 0.25
 CN407 (8) (5) ± 0.25
 F-403 (12): ± 0.6
 CN407 (7) (12) ± 0.6
 Q-4 (1): 12 ± 0.6

COMPTR (ANALOG) Check
 (* for microcomputers with analog output such as SMC-70)
 (1) Apply the following signals to CN407.
 • CN407 (3): composite sync signal (COMP SYNC 1 Vp-p/75Ω negative polarity)
 • CN407 (4) (8) (5) (6) (9) (R, G, B each 0.7 Vp-p/75Ω, positive polarity)
 • Q-7 (5) (COMP selection): ground, Q-7 (2) (3) (4) (6): open
 (2) Apply the following voltages via Q-7 connector.
 • Q-7 (5) (COMP selection): ground, Q-7 (2) (3) (4) (6): open
 (3) Check Q-4 (2) (3) (4) (B, G, R) outputs as shown below.
 (4) Check that Q-5 (1) (SYNC OUT) level is about 2 Vp-p negative polarity.

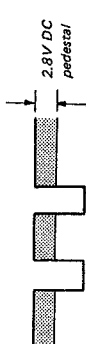
COMPTR (3 Bit TTL) Check
 (* for normal 8 color display microcomputers)
 (1) Apply the following signals to CN407.
 1) CN407 (4) (8) (5) (6) (9) (R, G, B each TTL compatible positive polarity)
 2) CN407 (5): horizontal sync signal, (1): vertical sync signal
 (Both horizontal and vertical TTL compatible neg. polarity)
 (2) ground level (1 not used)
 (3) ground level (LEV-SEC TTL)
 (4) ground level (*IBM-ID other than IBM (3 bit))
 (2) Q-7 (5) ground level (*Select COMPTR)
 (3) Check Q-4 (2) (3) (4) (B, G, R) output. (Waveform is the same as 4 COMPTR analog.)





R, G, B System Operation Check and Preset

- PICTURE:** minimum
BRIGHT: Set at mechanical center
 Apply the following voltages via the Q-7 connector.
- Q-7 (RGB selection): ground level
 - Q-7 (PIC): 4.0V DC
 - Q-7 (BRT): 6.0V DC
- Connector input
 Apply RGB signal to each of the following inputs:
 CN401: R
 CN403: G
 CN405: B
- (3) BRT Adjustment
 1) Set G-BRT (RV404) at mechanical center.
 2) Adjust BRT (RV402) so that Q-4 connector (G output) pedestal level is 2.8V DC.



- Adjust B-BRT (RV405) in the same way for Q-4 connector (B output).
 - Adjust R-BRT (RV403) in the same way for Q-4 connector (R output)
- (4) PIC Adjustment
PICTURE: maximum
 • Q-7 connector (PIC): 12.0V DC
 • Adjust PIC (RV401) so that Q-4 connector (G output) signal component is 2.5 Vp-p.
 Check that Q-4 connector (B output) and (R output) are also 2.5 Vp-p.

COMPOSITE System Operation Check

- BRIGHT:** mechanical center
PICTURE: center
- (1) Apply the signal shown to Q-1 connector. (This level corresponds to the B.B output when 1 Vp-p composite input is applied to the B board.)
-
- (2) Check that the input waveforms are equal at the following points:
 1) B-Q-1 connector (Q4 connector)
 2) G-Q-1 connector (Q4 connector)
 3) R-Q-1 connector (Q4 connector)

CMPTPR (IBM) Check

- (* IBM 5150 personal computer)
 Apply the following signals to CN407.
- CM407 (1) (4) (5) (6) (R)
 All TTL compatible positive polarity
 (3) H SYNC (7) V SYNC
 TTL compatible positive polarity
 CN407 (5) ground level (LEVS-SEC TTL)
 Q-7 (5) ground level (CMPTPR select)
 Check Q-4 (2), (3), (4) (B, G, R) outputs. (Waveform is the same as 4 CMPTPR analog.)

Overall Operation Check

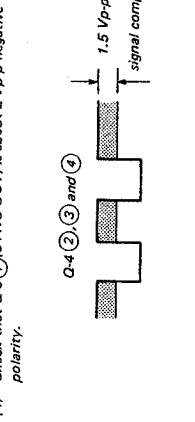
- Connect Q1, Q2, Q3, Q4, Q5 and Q7 and B, D and H boards.
- Apply video and audio signals to B board A, B VTR inputs.
 Also, apply a composite sync signal to the external sync input.
- Apply these signals to R, G, B video and audio inputs. (video input (composite) 1 Vp-p/75Ω audio input -10 dB external sync input 4 Vp-p/75Ω negative polarity) O Board

- Apply input signals to CMPTPR connector.
 CN407 (3) composite sync signal 1 Vp-p/75Ω (4), (5) B, G, R -0.7 Vp-p/75Ω
- LINE A Check
 1) Input selection is LINE A, and sync selection is INT SYNC. (Q-7 (3) (4) (5) (7) open)
 2) Check that LINE A. Decoded RGB signal is being output at Q-4 (2), (3), (4), B, G, R.
 3) Check that Q-2 (4) AUDIO is LINE A. (Level drops about -16 dBs (about 6 dB from connector input.)
 4) Check that there is LINE A video at Q-1 (7) (SYNC OUT) (Level is 2 Vpp)
 5) Change sync selection to EXT SYNC. Check that at this time Q-1 (7) changes to composite sync signal from external sync connector.
 (Q-7 (6) is ground level, output level about 2 Vp-p, negative polarity)

- LINE B Check Select LINE B. (Q-7 (2) ground level (3), (4), (5) open) Repeat steps 2)-5) for LINE A.
 (6) VTR Check Select VTR. (Q-7 (3) ground level (2), (4), (5) open) Repeat steps 2)-5) for LINE A.
 (7) RGB Check
 1) Make input selection RGB. Sync selection is internal sync. (Q-7 (4) ground level, (2), (3), (6) open)
 2) Check that signals from R, G, B are coming out on Q-4 (2), (3), (4) (R, G, B).
 3) Q-2 (4) (AUDIO) signal should be from RGB.
 4) Check that there is a composite sync signal from external sync connector at Q-1 (7) (SYNC OUT).
 5) Make sync selection EXT SYNC and make sure that Q-1 (7) output does not change. (In RGB mode, external sync is selected regardless of INT/EXT.)

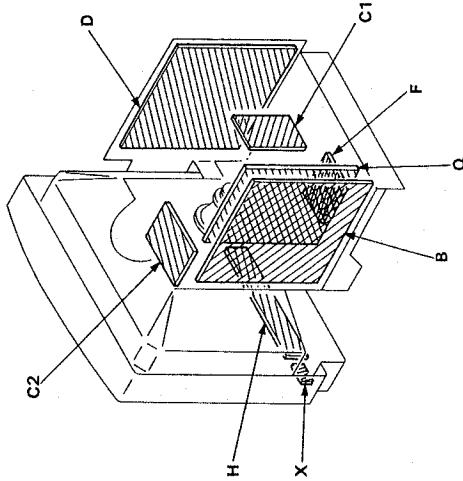
- (B) CMPTPR Check
 1) Input selection: CMPTPR, Sync selection: INT SYNC (Q-7 (5) ground level (2), (3), (4) open)
 2) Check Q-4 (2), (3), (4) (B, G, R) and check Q-2 (4) (AUDIO).
 3) Check that Q-1 (7) (SYNC OUT) is the signal from CM407 (3).
 4) Check that Q-1 (7) does not change when changing sync selection from INT/EXT.

(4) Check that Q-5 (1) (SYNC OUT) is about 2 Vp-p negative polarity.



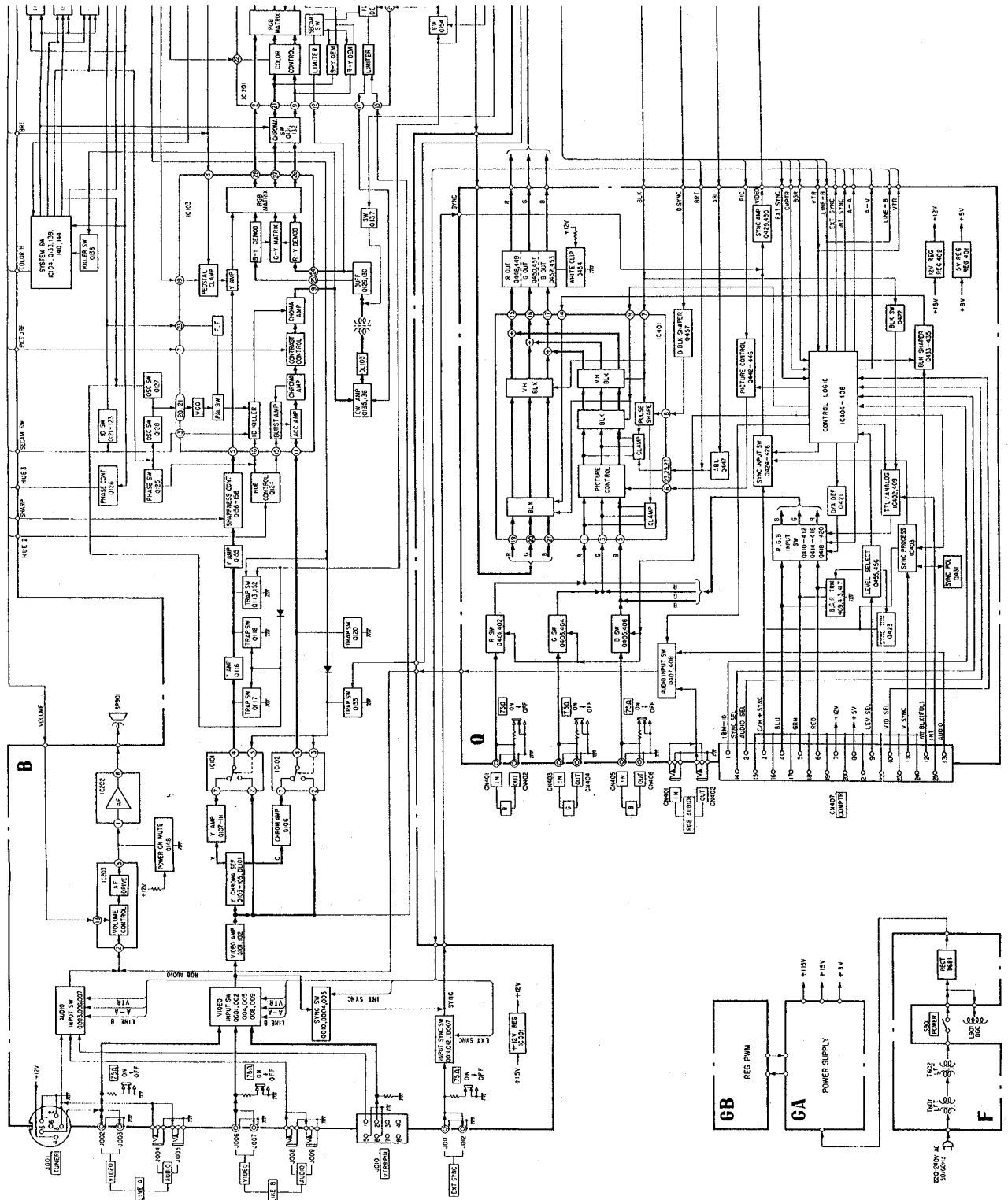
SECTION 5
DIAGRAMS

5-1. CIRCUIT BOARDS LOCATION



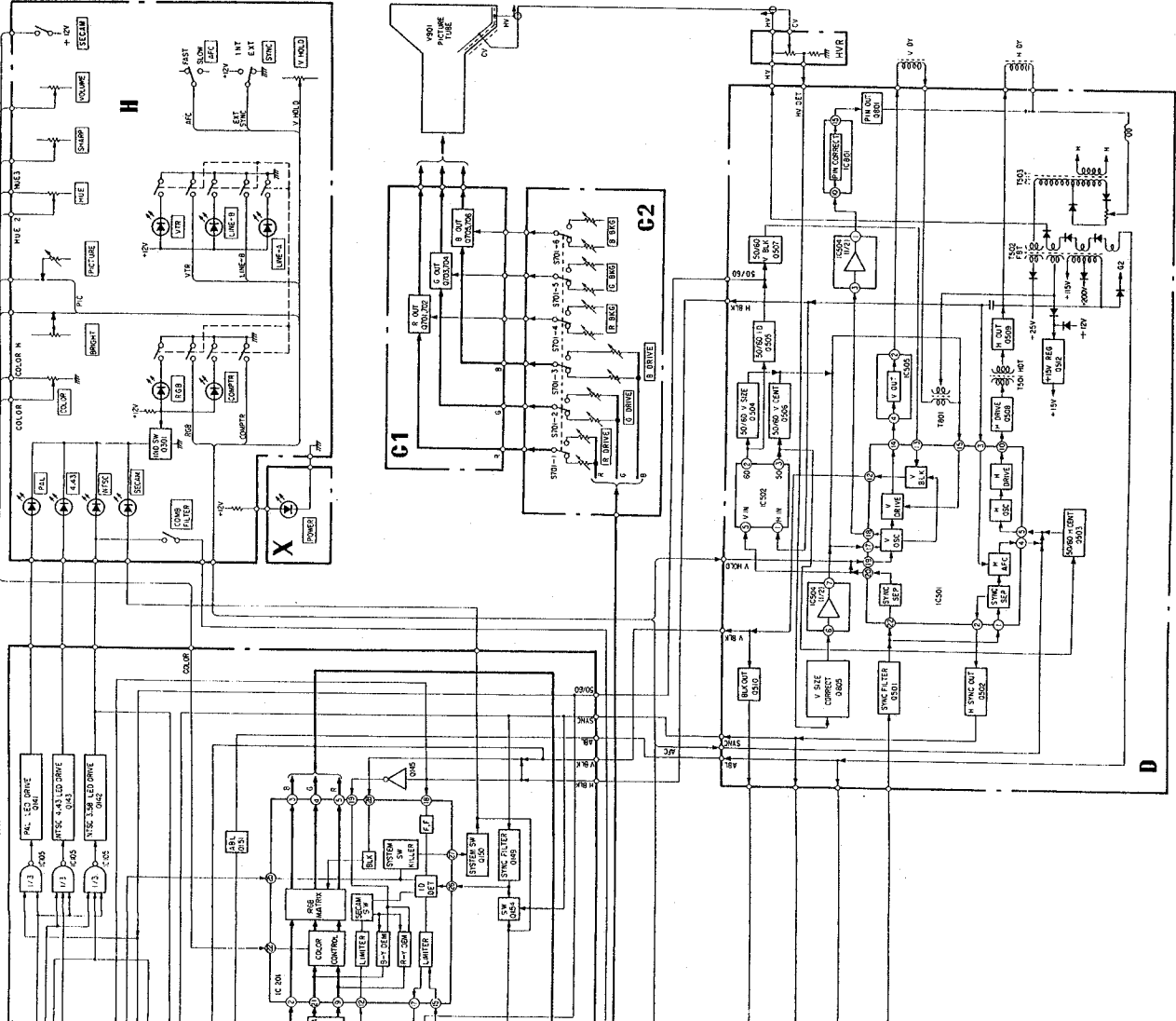
PVM-2010QM PVM-2010QM

5-2. BLOCK DIAGRAM



For Service Manuals Contact
MAURITRON TECHNICAL SERVICES
 8 Cherry Tree Rd., Chinnor
 Oxon OX9 4QY
 Tel: 01844-351694 Fax: 01844-352554
 Email: enquiries@mauritron.co.uk

5-3. SEMICONDUCTORS

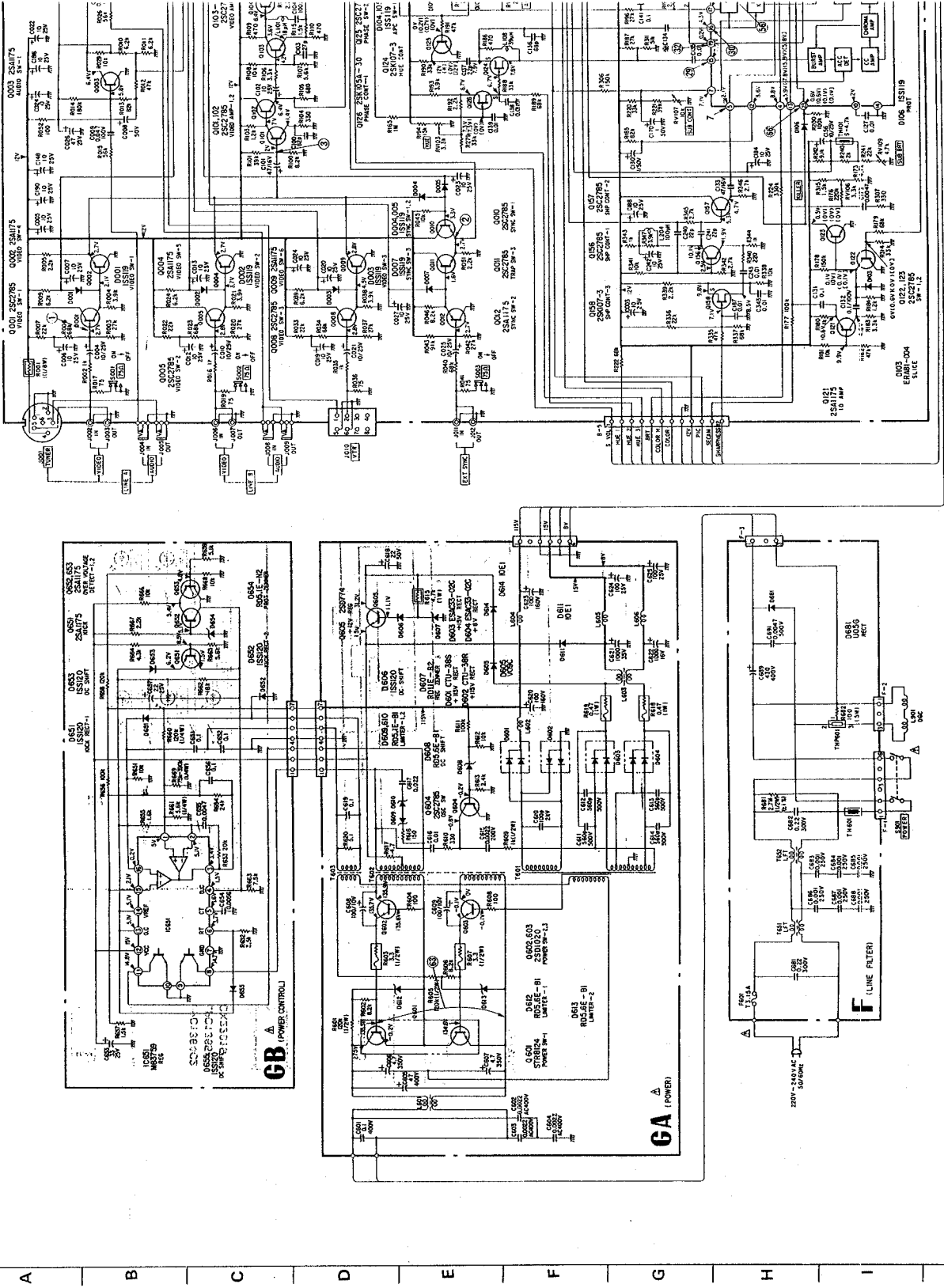


GH3F U05G	2SK107-3	2SA1175 2SC2785	CX095E SN74LS00N SN74LS04N SN74LS08N SN74LS09N SN74LS136N SN74LS20N TC4023BP TC4024BP	μPC1241H	μPC1364CZ μPC1365C CX22019	EQB01-22 RH1A RH1Z STB01-02	2SC2611 2SC2688	μPC1377C	μPC1378H-L	μPC4558C CX7916	μPC7805H μPC7812H μPC78M12H
2SA1175 2SC2785	2SA733 2SA844 2SC1363 2SC1815 2SC945	2SA1048 2SA1115 2SC2458 2SC2603 D1A124ES	2SA1048 2SA1115 2SC2458 2SC2603 D1A124ES	2SA1026	2SA1048 2SA1115 2SC2458 2SC2603 D1A124ES	EQB01-22 RH1A RH1Z STB01-02	2SC2611 2SC2688	μPC1377C	μPC1378H-L	μPC4558C CX7916	μPC7805H μPC7812H μPC78M12H
2SA1175 2SC2785	2SA733 2SA844 2SC1363 2SC1815 2SC945	2SA1048 2SA1115 2SC2458 2SC2603 D1A124ES	2SA1048 2SA1115 2SC2458 2SC2603 D1A124ES	2SA1026	2SA1048 2SA1115 2SC2458 2SC2603 D1A124ES	EQB01-22 RH1A RH1Z STB01-02	2SC2611 2SC2688	μPC1377C	μPC1378H-L	μPC4558C CX7916	μPC7805H μPC7812H μPC78M12H

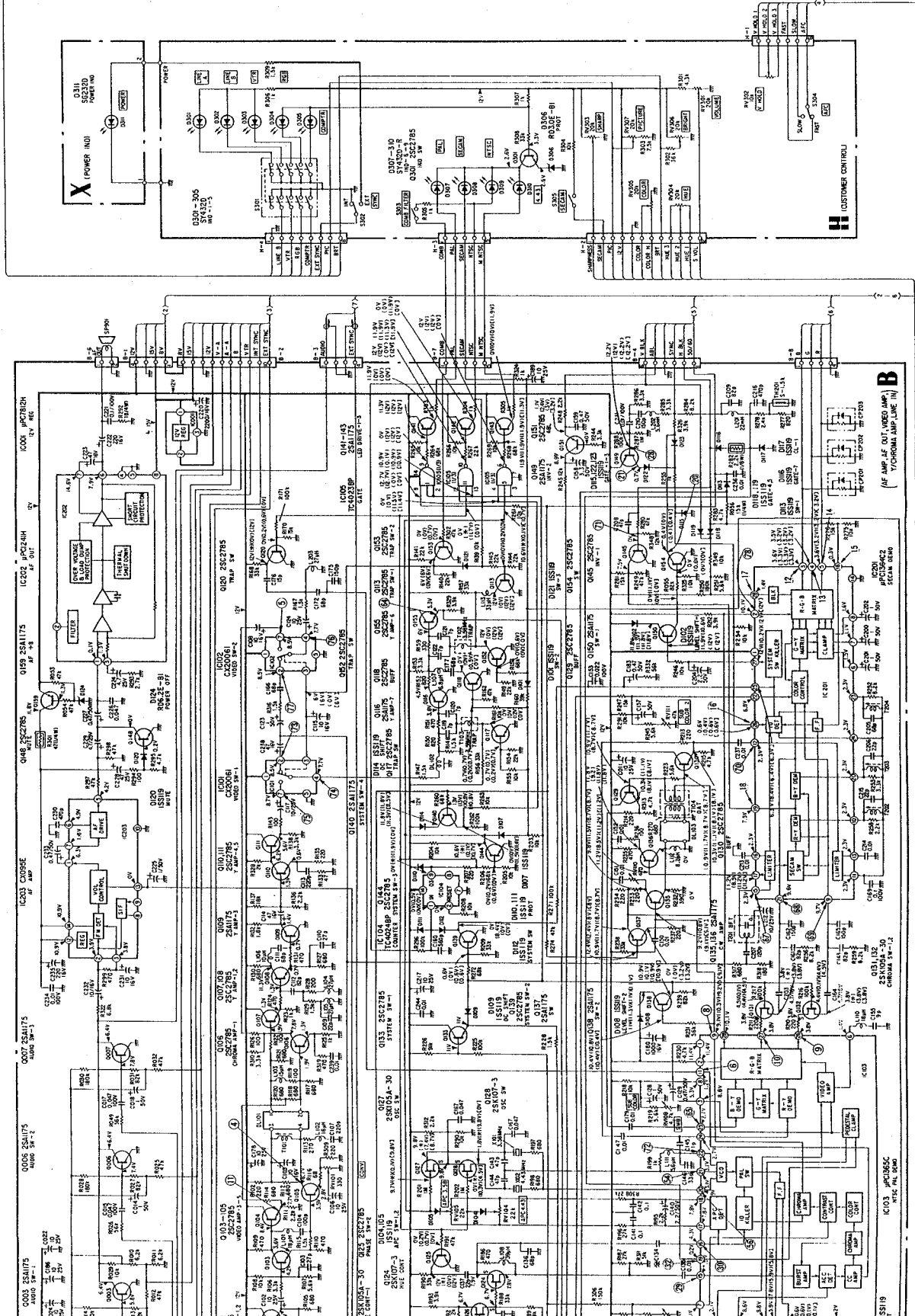
5.4. SCHEMATIC DIAGRAM

Note: The components identified by shading and mark Δ are critical for safety. Replace only with part number specified.

- All capacitors are in μF unless otherwise noted. pF: μF . 50WV or less are not indicated except for electrolytics.
- All resistors are in ohms, 1/5W unless otherwise noted. k Ω = 1000 Ω , M Ω = 1000k Ω
- Notice that the following boards have not a resistance wattage of 1/5W.
GA Board 1/4W (as a reference)
- \square : nonflammable resistor.
- \square : fusible resistor
- \square : internal component.
- \square : panel designation.
- All variable and adjustable resistors have characteristic curve B, unless otherwise noted.
- Readings are taken with a color-bar signal input to LINE A.
- Voltages are dc with respect to ground unless otherwise noted.
- The voltage of Q601 ~ Q603 is a reference value between emitter of Q601.
- Readings are taken with a 10M Ω digital multimeter.
- \square : adjustment for repair.
- Voltage variations may be noted due to normal production tolerances.
- --- : B + bus.
- ① : The number indicates No. of a waveform diagram.
- For the waveform diagram, refer to page 50.
- no mark : PAL
() : SECAM
< > : NTSC 3.58
[] : NTSC 4.43
- * : Not measurable.



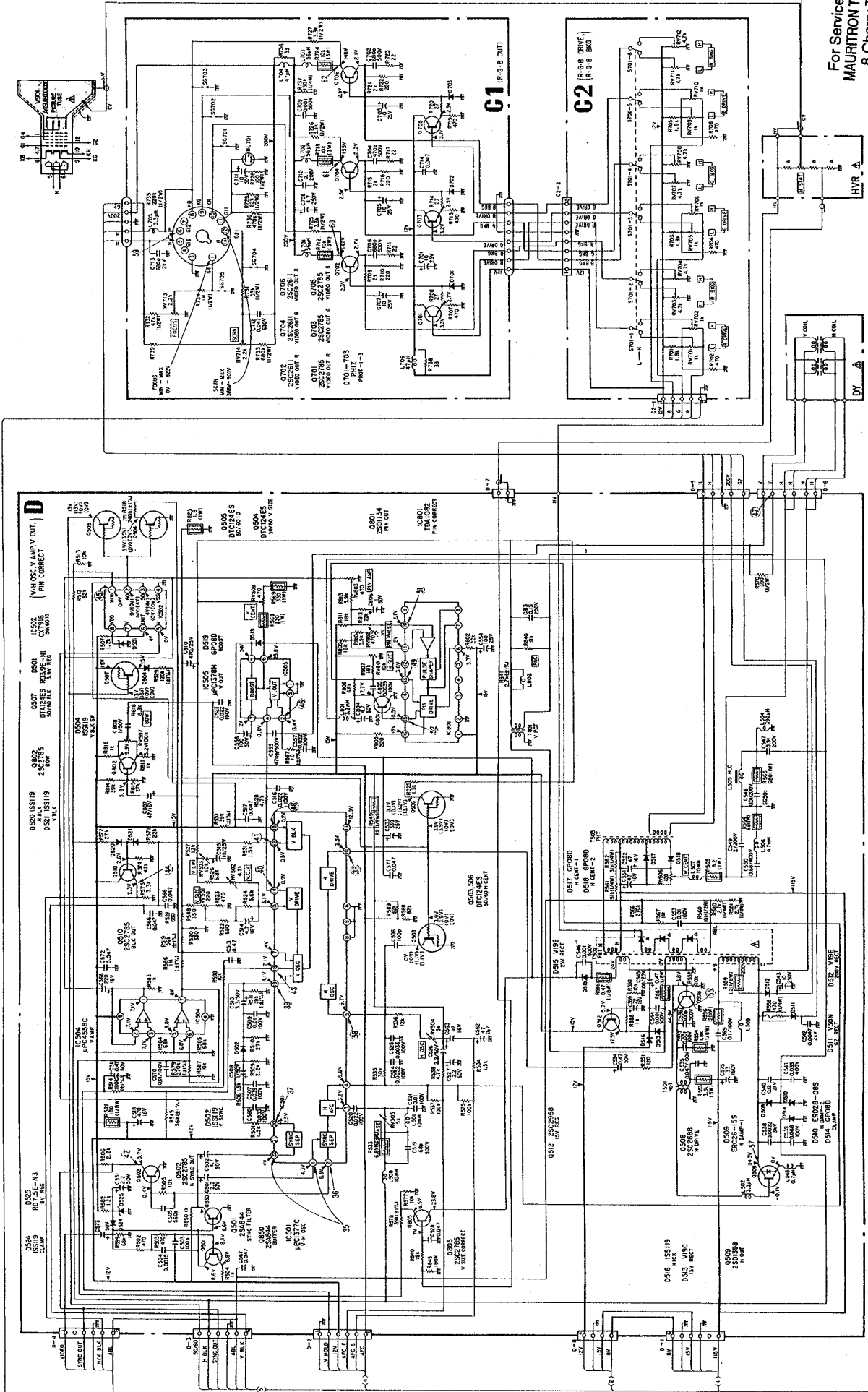
For Service Manuals Contact
MAURITRON TECHNICAL SERVICES
 8 Cherry Tree Rd, Chinnor
 Oxon OX9 4QY
 Tel: 01844-351694 Fax: 01844-352554
 Email: enquiries@mauritron.co.uk



For Service Manuals Contact
MAURITRON TECHNICAL SERVICES
 8 Cherry Tree Rd, Chinnor
 Oxon OX9 4QY
 Tel: 01844-351694 Fax: 01844-352554
 Email: enquiries@mauritron.co.uk

PVM-20100M PVM-20100M

16 17 18 19 20 21 22 23 24 25 26 27 28 29 30 31



For Service Manuals Contact
MAURITRON TECHNICAL SERVICES
 8 Cherry Tree Rd, Chinnor
 Oxon OX9 4QY
 Tel: 01844-351694 Fax: 01844-352554
 Email: enquiries@mauritron.co.uk

PVM-2010QM PVM-2010QM

GA (POWER)

GB (POWER CONTROL)

F (LINE FILTER)

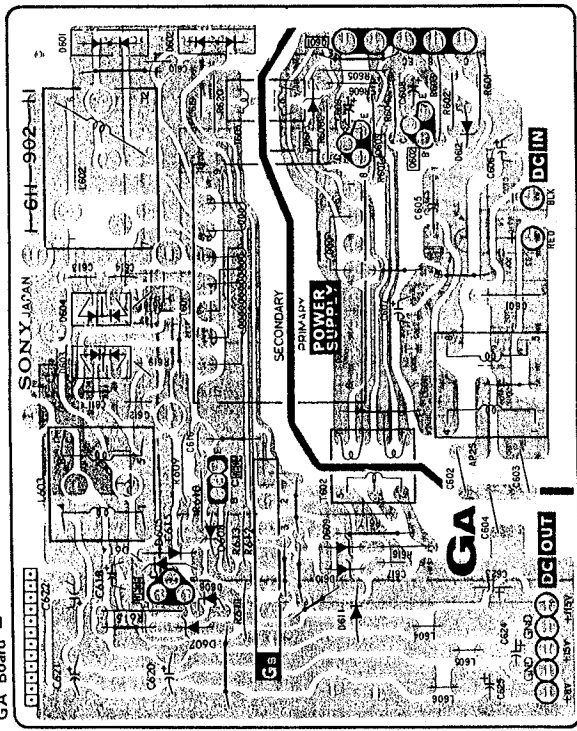
X (POWER IND)

H (CUSTOMER CONTROL)

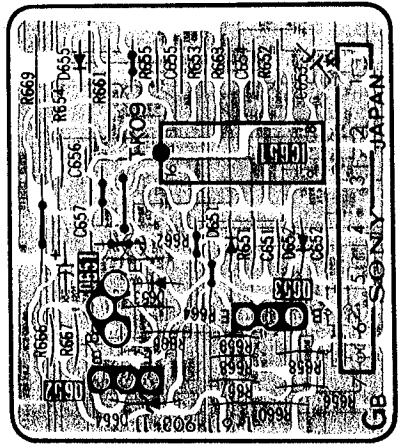
5-5. PRINTED WIRING BOARDS

1 2 3 4 5 6 7 8 9 10 11 12 13 14 15 16

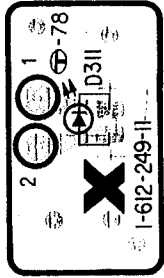
- GA Board -



- GB Board -



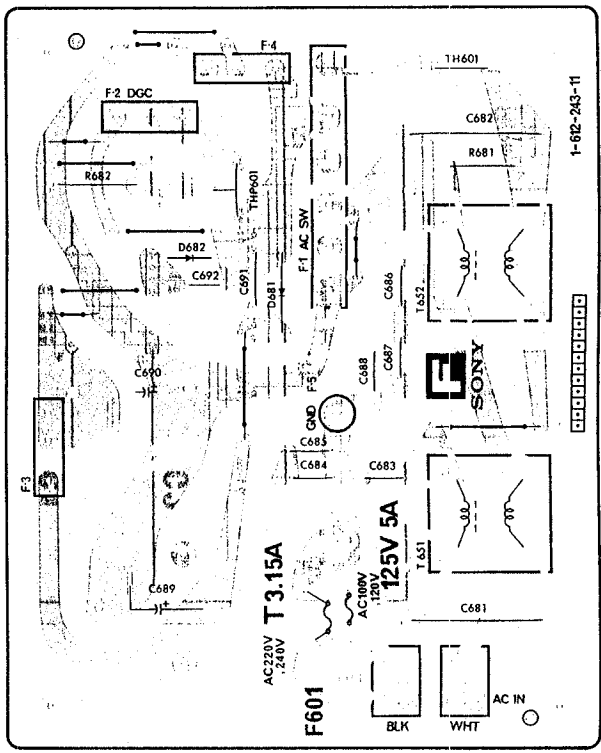
- X Board -



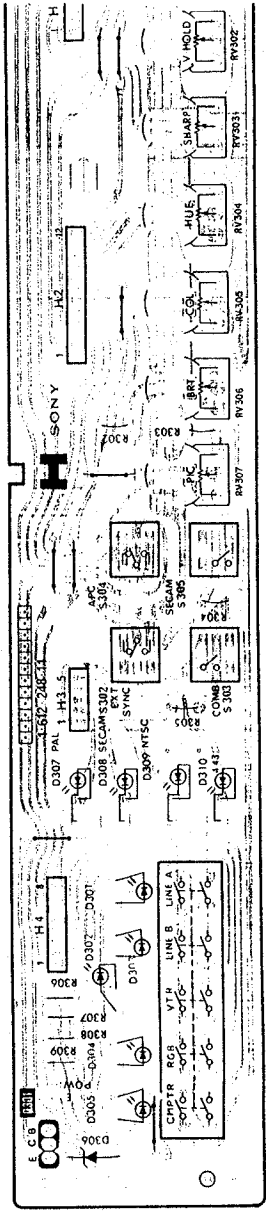
- B B

For Service Manuals Contact
MAURITRON TECHNICAL SERVICES
8 Cherry Tree Rd, Chimnor
Oxon OX9 4QY
Tel: 01844-351694 Fax: 01844-352554
Email: enquiries@maurifron.co.uk

- F Board -



- H Board -



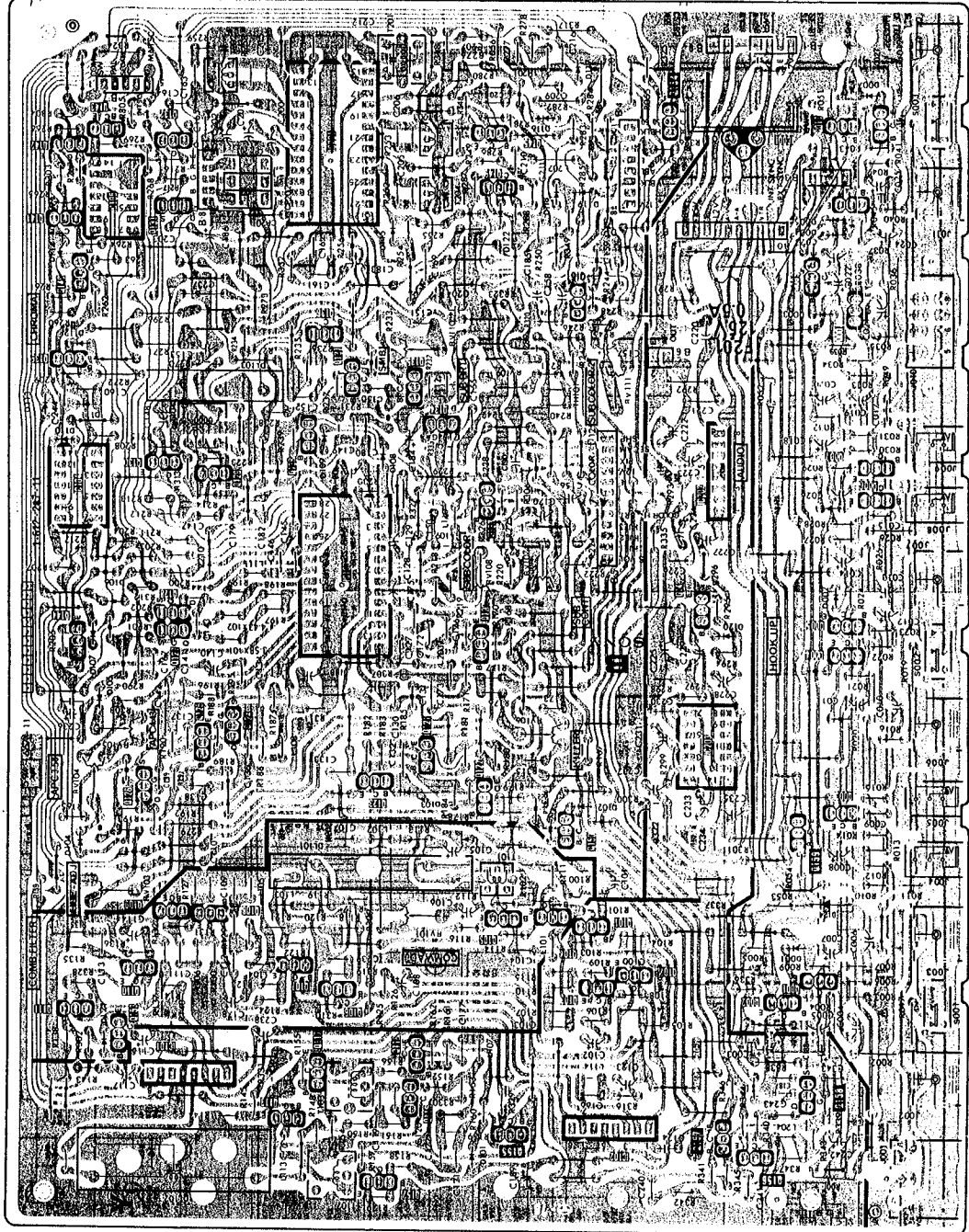
PVM-2010QM PVM-2010QM

(CUSTOMER CONTROL) **B** (AF AMP, AF OUT, VIDEO AMP, Y/CHROMA AMP, LINE IN)

-- B Board --

15 16 17 18 19 20 21 22 23 24 25 26 27 28 29 30

0	101	103	104	105	106	107	108	109	110	111	112	113	114	115	116	117	0
1	113	116	117	118	119	120	121	122	123	124	125	126	127	128	129	130	1
IC	157	102	158	159	160	161	162	163	164	165	166	167	168	169	170	171	IC
D	192	01	02	03	04	05	06	07	08	09	10	11	12	13	14	15	D
ADJ																	ADJ



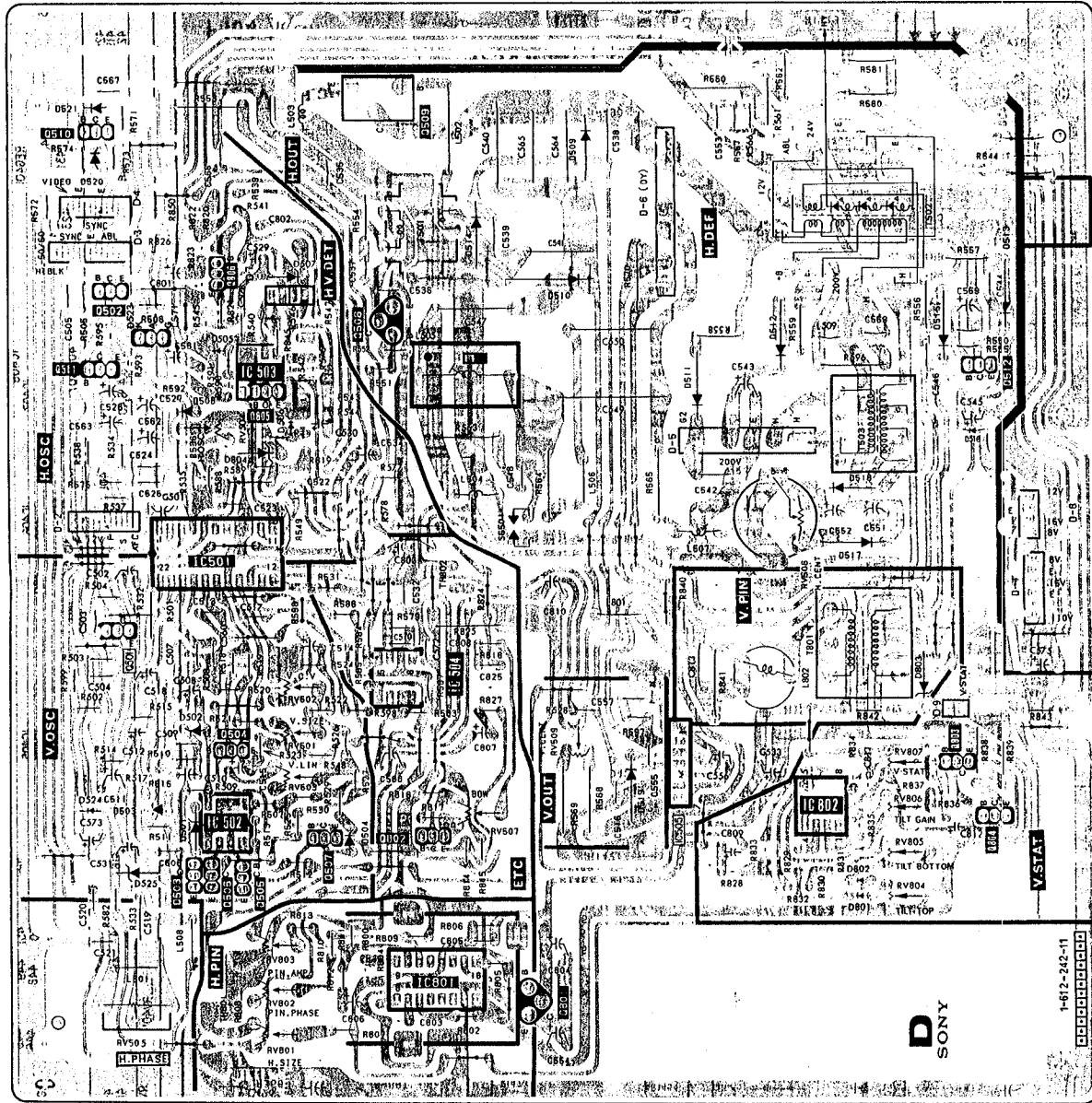
For Service Manuals Contact
MAURITRON TECHNICAL SERVICES
 8 Cherry Tree Rd. Chinnor
 Oxon OX9 4QY
 Tel: 01844-351694 Fax: 01844-352554
 Email: enquiries@mauritron.co.uk

PVM-2010QM PVM-2010QM

D (V • H OSC. V AMP.
V OUT. PIN CORRECT)

0, IC	D	ADU
501	524	RV505
502	502	RV506
503	501	RV507
504	504	RV508
505	509	RV509
506	504	RV510
507	511	RV511
508	512	RV512
509	518	RV513
510	517	RV514
511	515	RV515
512	516	RV516
513	513	RV517
0, IC	D	ADU

A -- D Board --



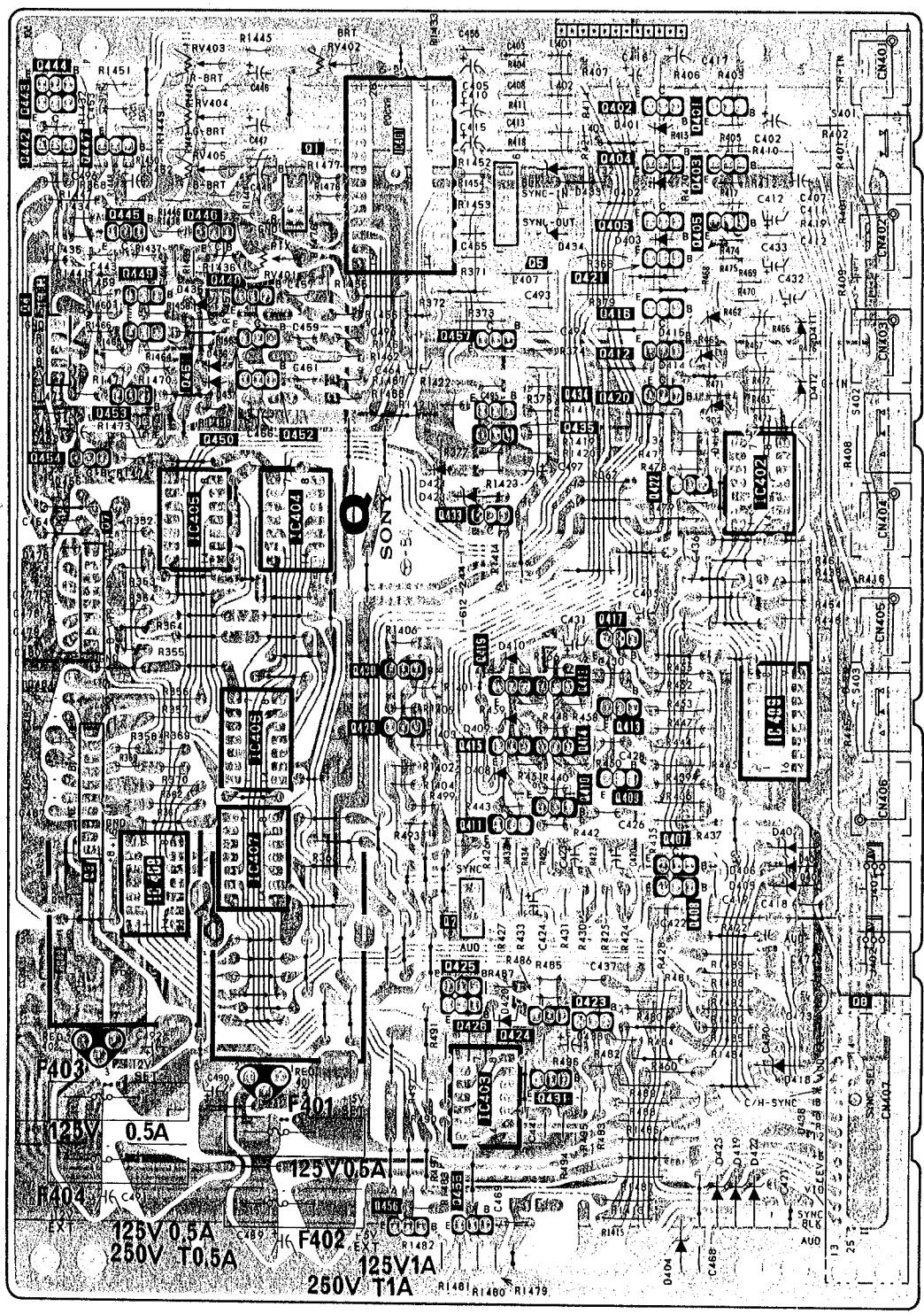
For Service Manuals Contact
MAURITRON TECHNICAL SERVICES
 8 Cherry Tree Rd, Chinnor
 Oxon OX9 4QY
 Tel: 01844-351694 Fax: 01844-352554
 Email: enquiries@mauritron.co.uk

PVM-2010QM PVM-2010QM

R • G • B PROCESS CONTROL LOGIC.
 SYNC OUT, R • G • B IN, AF IN, COMPTN IN

1 2 3 4 5 6 7 8 9 10 11 12 13 14 15

Q	455	REG-402	IC-408	IC-406	454	453	451	449	445	443,444
	455	REG-401	IC-407	430	IC-405	452	450	448	446	447
IC		IC-403	426,425	429	433	435-434	433	431	IC-401	
		431	424	419	433	420	418	417	404	402
			408,407	409	IC-409	420	416	415	403	401
D	404	420	408	409	410	437,436	435	401		
	425	418	405,406,407	410	411	414	411	403		
	422							402		
ADJ									RV-401	RV-403
									RV-404	RV-402



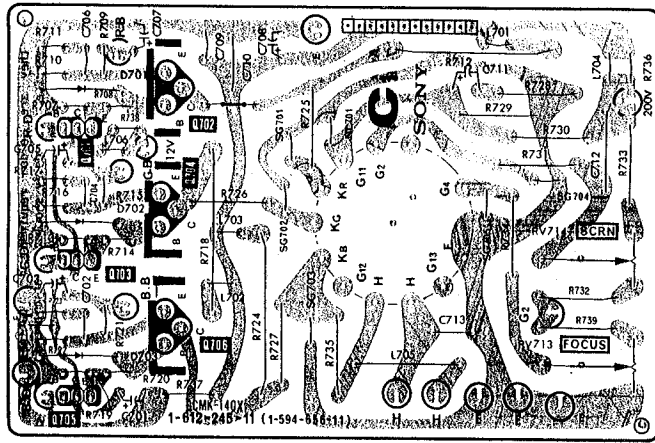
5-6. WAVEFORMS

C1 (R.G.B OUT) C2 (R.G.B DRIVE)

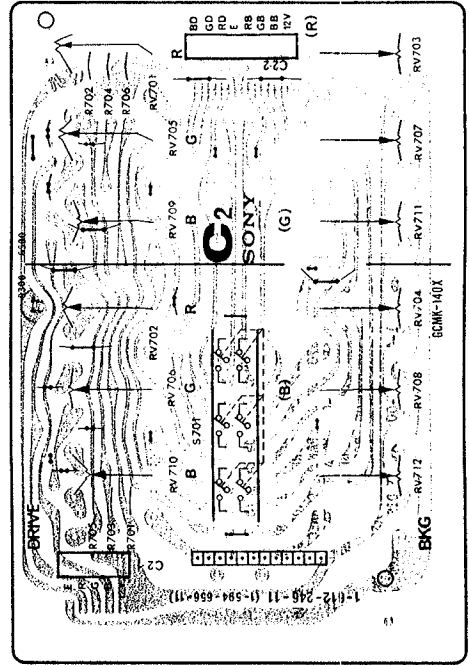
B BOARD

① PAL 0.7Vp-p (H)	④ SECAM 2.7Vp-p (H)	⑦ SECAM 1Vp-p (H)	⑩ NTSC 3.58, 4.43 0.7Vp-p (H) (3.58) 0.8Vp-p (H) (4.43)	⑬ PAL 6Vp-p (H)	⑮ PAL 3.6Vp-p (H)	⑲ PAL 3.4Vp-p (H) (PAL) 3Vp-p (H) (SECAM) 3.6Vp-p (H) (3.58) 3.4Vp-p (H) (4.43)	⑳ PAL SECAM NTSC 3.58, 4.43	㉓ SECAM 1.8Vp-p (H)	㉖ PAL 1.8Vp-p (H)	㉟ PAL 1.2Vp-p (H)	㊳ PAL 1.1Vp-p (H)
② SECAM 0.88Vp-p (H)	⑤ NTSC 3.58 2.8Vp-p (H)	⑧ SECAM 0.45Vp-p (H) (3.58) 0.58Vp-p (H) (4.43)	⑪ PAL 1.8Vp-p (H)	⑭ SECAM 6Vp-p (H)	⑯ SECAM 7.5Vp-p (H)	㉑ SECAM 8.5Vp-p (H) (3.58) 4.6Vp-p (H) (4.43)	㉔ PAL 1.8Vp-p (H)	㉗ SECAM 1.8Vp-p (H)	㉚ SECAM 0.9Vp-p (H)	㊵ PAL 0.4Vp-p (H)	㊸ PAL 0.4Vp-p (H)
③ SECAM 0.7Vp-p (H)	⑥ SECAM 0.32Vp-p (H)	⑨ SECAM 0.9Vp-p (H)	⑫ PAL 6Vp-p (H)	⑰ PAL SECAM NTSC 3.58, 4.43	㉒ SECAM 5.6Vp-p (H) (3.58) 3.6Vp-p (H) (4.43)	㉕ SECAM 1.8Vp-p (H)	㉘ SECAM 2.2Vp-p (H)	㉙ SECAM 1.8Vp-p (H) (3.58) 1.8Vp-p (H) (4.43)	㉛ SECAM 2.8Vp-p (H) (PAL) 9Vp-p (H) (SECAM) 4Vp-p (H) (4.43)	㊶ SECAM 1.8Vp-p (H)	㊹ SECAM 1.1Vp-p (H)
④ PAL 0.9Vp-p (H)	⑦ PAL 1.4Vp-p (H)	⑩ PAL 1.5Vp-p (H)	⑬ SECAM 1.4Vp-p (H)	⑯ SECAM 8Vp-p (H)	㉒ SECAM 5.6Vp-p (H) (3.58) 3.6Vp-p (H) (4.43)	㉕ SECAM 1.8Vp-p (H)	㉘ SECAM 2.2Vp-p (H)	㉙ SECAM 1.8Vp-p (H) (3.58) 1.8Vp-p (H) (4.43)	㉛ SECAM 2.8Vp-p (H) (PAL) 9Vp-p (H) (SECAM) 4Vp-p (H) (4.43)	㊶ SECAM 1.8Vp-p (H)	㊹ SECAM 1.1Vp-p (H)
⑤ NTSC 3.58, 4.43 0.85Vp-p (H)	⑧ PAL 2.2Vp-p (H)	⑪ SECAM 0.02Vp-p (H)	⑭ SECAM 4.4Vp-p (H)	⑯ PAL 3.6Vp-p (H)	㉒ SECAM 7.5Vp-p (H)	㉕ SECAM 1.8Vp-p (H)	㉘ SECAM 2.2Vp-p (H)	㉙ SECAM 1.8Vp-p (H) (3.58) 1.8Vp-p (H) (4.43)	㉛ SECAM 2.8Vp-p (H) (PAL) 9Vp-p (H) (SECAM) 4Vp-p (H) (4.43)	㊶ SECAM 1.8Vp-p (H)	㊹ SECAM 1.1Vp-p (H)
⑥ SECAM 0.85Vp-p (H)	⑨ SECAM 2.8Vp-p (H)	⑫ SECAM 0.9Vp-p (H)	⑮ SECAM 1.4Vp-p (H)	⑰ SECAM 8Vp-p (H)	㉒ SECAM 5.6Vp-p (H) (3.58) 3.6Vp-p (H) (4.43)	㉕ SECAM 1.8Vp-p (H)	㉘ SECAM 2.2Vp-p (H)	㉙ SECAM 1.8Vp-p (H) (3.58) 1.8Vp-p (H) (4.43)	㉛ SECAM 2.8Vp-p (H) (PAL) 9Vp-p (H) (SECAM) 4Vp-p (H) (4.43)	㊶ SECAM 1.8Vp-p (H)	㊹ SECAM 1.1Vp-p (H)
⑦ PAL 0.7Vp-p (H)	⑩ PAL 1.4Vp-p (H)	⑬ SECAM 0.45Vp-p (H) (3.58) 0.58Vp-p (H) (4.43)	⑯ SECAM 4.4Vp-p (H)	㉑ SECAM 8.5Vp-p (H) (3.58) 4.6Vp-p (H) (4.43)	㉒ SECAM 5.6Vp-p (H) (3.58) 3.6Vp-p (H) (4.43)	㉕ SECAM 1.8Vp-p (H)	㉘ SECAM 2.2Vp-p (H)	㉙ SECAM 1.8Vp-p (H) (3.58) 1.8Vp-p (H) (4.43)	㉛ SECAM 2.8Vp-p (H) (PAL) 9Vp-p (H) (SECAM) 4Vp-p (H) (4.43)	㊶ SECAM 1.8Vp-p (H)	㊹ SECAM 1.1Vp-p (H)
⑧ SECAM 0.88Vp-p (H)	⑪ SECAM 2.8Vp-p (H)	⑭ SECAM 4.4Vp-p (H)	⑰ SECAM 1.4Vp-p (H)	㉑ SECAM 8.5Vp-p (H) (3.58) 4.6Vp-p (H) (4.43)	㉒ SECAM 5.6Vp-p (H) (3.58) 3.6Vp-p (H) (4.43)	㉕ SECAM 1.8Vp-p (H)	㉘ SECAM 2.2Vp-p (H)	㉙ SECAM 1.8Vp-p (H) (3.58) 1.8Vp-p (H) (4.43)	㉛ SECAM 2.8Vp-p (H) (PAL) 9Vp-p (H) (SECAM) 4Vp-p (H) (4.43)	㊶ SECAM 1.8Vp-p (H)	㊹ SECAM 1.1Vp-p (H)
⑨ SECAM 0.9Vp-p (H)	⑫ PAL 6Vp-p (H)	⑮ SECAM 4.4Vp-p (H)	⑲ SECAM 6Vp-p (H)	㉑ SECAM 8.5Vp-p (H) (3.58) 4.6Vp-p (H) (4.43)	㉒ SECAM 5.6Vp-p (H) (3.58) 3.6Vp-p (H) (4.43)	㉕ SECAM 1.8Vp-p (H)	㉘ SECAM 2.2Vp-p (H)	㉙ SECAM 1.8Vp-p (H) (3.58) 1.8Vp-p (H) (4.43)	㉛ SECAM 2.8Vp-p (H) (PAL) 9Vp-p (H) (SECAM) 4Vp-p (H) (4.43)	㊶ SECAM 1.8Vp-p (H)	㊹ SECAM 1.1Vp-p (H)
⑩ PAL 6Vp-p (H)	⑬ PAL 3.6Vp-p (H)	⑯ SECAM 4.4Vp-p (H)	㉑ SECAM 8.5Vp-p (H) (3.58) 4.6Vp-p (H) (4.43)	㉒ SECAM 5.6Vp-p (H) (3.58) 3.6Vp-p (H) (4.43)	㉕ SECAM 1.8Vp-p (H)	㉘ SECAM 2.2Vp-p (H)	㉙ SECAM 1.8Vp-p (H) (3.58) 1.8Vp-p (H) (4.43)	㉛ SECAM 2.8Vp-p (H) (PAL) 9Vp-p (H) (SECAM) 4Vp-p (H) (4.43)	㊶ SECAM 1.8Vp-p (H)	㊹ SECAM 1.1Vp-p (H)	
⑪ SECAM 6Vp-p (H)	⑭ SECAM 3.6Vp-p (H)	⑰ SECAM 4.4Vp-p (H)	㉑ SECAM 8.5Vp-p (H) (3.58) 4.6Vp-p (H) (4.43)	㉒ SECAM 5.6Vp-p (H) (3.58) 3.6Vp-p (H) (4.43)	㉕ SECAM 1.8Vp-p (H)	㉘ SECAM 2.2Vp-p (H)	㉙ SECAM 1.8Vp-p (H) (3.58) 1.8Vp-p (H) (4.43)	㉛ SECAM 2.8Vp-p (H) (PAL) 9Vp-p (H) (SECAM) 4Vp-p (H) (4.43)	㊶ SECAM 1.8Vp-p (H)	㊹ SECAM 1.1Vp-p (H)	
⑫ PAL 6Vp-p (H)	⑮ SECAM 4.4Vp-p (H)	⑲ SECAM 6Vp-p (H)	㉑ SECAM 8.5Vp-p (H) (3.58) 4.6Vp-p (H) (4.43)	㉒ SECAM 5.6Vp-p (H) (3.58) 3.6Vp-p (H) (4.43)	㉕ SECAM 1.8Vp-p (H)	㉘ SECAM 2.2Vp-p (H)	㉙ SECAM 1.8Vp-p (H) (3.58) 1.8Vp-p (H) (4.43)	㉛ SECAM 2.8Vp-p (H) (PAL) 9Vp-p (H) (SECAM) 4Vp-p (H) (4.43)	㊶ SECAM 1.8Vp-p (H)	㊹ SECAM 1.1Vp-p (H)	
⑬ SECAM 6Vp-p (H)	⑯ SECAM 4.4Vp-p (H)	㉑ SECAM 8.5Vp-p (H) (3.58) 4.6Vp-p (H) (4.43)	㉒ SECAM 5.6Vp-p (H) (3.58) 3.6Vp-p (H) (4.43)	㉕ SECAM 1.8Vp-p (H)	㉘ SECAM 2.2Vp-p (H)	㉙ SECAM 1.8Vp-p (H) (3.58) 1.8Vp-p (H) (4.43)	㉛ SECAM 2.8Vp-p (H) (PAL) 9Vp-p (H) (SECAM) 4Vp-p (H) (4.43)	㉜ SECAM 2.2Vp-p (H)	㉞ SECAM 1.8Vp-p (H)	㉟ SECAM 1.1Vp-p (H)	
⑭ SECAM 6Vp-p (H)	⑰ SECAM 4.4Vp-p (H)	㉑ SECAM 8.5Vp-p (H) (3.58) 4.6Vp-p (H) (4.43)	㉒ SECAM 5.6Vp-p (H) (3.58) 3.6Vp-p (H) (4.43)	㉕ SECAM 1.8Vp-p (H)	㉘ SECAM 2.2Vp-p (H)	㉙ SECAM 1.8Vp-p (H) (3.58) 1.8Vp-p (H) (4.43)	㉛ SECAM 2.8Vp-p (H) (PAL) 9Vp-p (H) (SECAM) 4Vp-p (H) (4.43)	㉜ SECAM 2.2Vp-p (H)	㉞ SECAM 1.8Vp-p (H)	㉟ SECAM 1.1Vp-p (H)	
⑮ SECAM 4.4Vp-p (H)	⑲ SECAM 6Vp-p (H)	㉑ SECAM 8.5Vp-p (H) (3.58) 4.6Vp-p (H) (4.43)	㉒ SECAM 5.6Vp-p (H) (3.58) 3.6Vp-p (H) (4.43)	㉕ SECAM 1.8Vp-p (H)	㉘ SECAM 2.2Vp-p (H)	㉙ SECAM 1.8Vp-p (H) (3.58) 1.8Vp-p (H) (4.43)	㉛ SECAM 2.8Vp-p (H) (PAL) 9Vp-p (H) (SECAM) 4Vp-p (H) (4.43)	㉜ SECAM 2.2Vp-p (H)	㉞ SECAM 1.8Vp-p (H)	㉟ SECAM 1.1Vp-p (H)	
⑯ SECAM 4.4Vp-p (H)	㉑ SECAM 8.5Vp-p (H) (3.58) 4.6Vp-p (H) (4.43)	㉒ SECAM 5.6Vp-p (H) (3.58) 3.6Vp-p (H) (4.43)	㉕ SECAM 1.8Vp-p (H)	㉘ SECAM 2.2Vp-p (H)	㉙ SECAM 1.8Vp-p (H) (3.58) 1.8Vp-p (H) (4.43)	㉛ SECAM 2.8Vp-p (H) (PAL) 9Vp-p (H) (SECAM) 4Vp-p (H) (4.43)	㉜ SECAM 2.2Vp-p (H)	㉞ SECAM 1.8Vp-p (H)	㉟ SECAM 1.1Vp-p (H)		
⑰ SECAM 4.4Vp-p (H)	㉑ SECAM 8.5Vp-p (H) (3.58) 4.6Vp-p (H) (4.43)	㉒ SECAM 5.6Vp-p (H) (3.58) 3.6Vp-p (H) (4.43)	㉕ SECAM 1.8Vp-p (H)	㉘ SECAM 2.2Vp-p (H)	㉙ SECAM 1.8Vp-p (H) (3.58) 1.8Vp-p (H) (4.43)	㉛ SECAM 2.8Vp-p (H) (PAL) 9Vp-p (H) (SECAM) 4Vp-p (H) (4.43)	㉜ SECAM 2.2Vp-p (H)	㉞ SECAM 1.8Vp-p (H)	㉟ SECAM 1.1Vp-p (H)		
⑲ SECAM 6Vp-p (H)	㉑ SECAM 8.5Vp-p (H) (3.58) 4.6Vp-p (H) (4.43)	㉒ SECAM 5.6Vp-p (H) (3.58) 3.6Vp-p (H) (4.43)	㉕ SECAM 1.8Vp-p (H)	㉘ SECAM 2.2Vp-p (H)	㉙ SECAM 1.8Vp-p (H) (3.58) 1.8Vp-p (H) (4.43)	㉛ SECAM 2.8Vp-p (H) (PAL) 9Vp-p (H) (SECAM) 4Vp-p (H) (4.43)	㉜ SECAM 2.2Vp-p (H)	㉞ SECAM 1.8Vp-p (H)	㉟ SECAM 1.1Vp-p (H)		
㉑ SECAM 8.5Vp-p (H) (3.58) 4.6Vp-p (H) (4.43)	㉒ SECAM 5.6Vp-p (H) (3.58) 3.6Vp-p (H) (4.43)	㉕ SECAM 1.8Vp-p (H)	㉘ SECAM 2.2Vp-p (H)	㉙ SECAM 1.8Vp-p (H) (3.58) 1.8Vp-p (H) (4.43)	㉛ SECAM 2.8Vp-p (H) (PAL) 9Vp-p (H) (SECAM) 4Vp-p (H) (4.43)	㉜ SECAM 2.2Vp-p (H)	㉞ SECAM 1.8Vp-p (H)	㉟ SECAM 1.1Vp-p (H)			

- C1 Board -



- C2 Board -



5-6. WAVEFORMS

4	SECAM	2.7V p-p (H)	SECAM	4V p-p (H)	NTSC 3.58, 4.43	0.7V p-p (H) (3.58) 0.8V p-p (H) (4.43)	14	PAL	6V p-p (H)	18	PAL, SECAM NTSC 3.58, 4.43	SECAM	0.5V p-p (H)	65	PAL	0.28V p-p (H)	68	NTSC 3.58, 4.43	0.9V p-p (H) (3.58) 0.8V p-p (H) (4.43)	73	PAL	3V p-p (H)	75	NTSC 4.43	3.2V p-p (H)	78	SECAM	2.6V p-p (H)
4	NTSC 3.58, 4.43	1.8V p-p (H)	SECAM	1.1V p-p (H)	SECAM	1.4V p-p (H)	14	SECAM	6V p-p (H)	20	PAL, SECAM NTSC 3.58, 4.43	SECAM	0.32V p-p (H)	65	SECAM	0.18V p-p (H)	68	PAL	0.85V p-p (H)	73	SECAM	3.6V p-p (H)	75	PAL	2.6V p-p (H)	78	NTSC 3.58, 4.43	2.6V p-p (H) (3.58) 2.8V p-p (H) (4.43)
5	PAL	2.2V p-p (H)	SECAM	4.4V p-p (H)	SECAM	1.6V p-p (H)	14	NTSC 3.58, 4.43	5.5V p-p (H) (3.58) 3.5V p-p (H) (4.43)	20	PAL, SECAM NTSC 3.58, 4.43	SECAM	2.6V p-p (H)	65	NTSC 3.58, 4.43	0.28V p-p (H) (3.58) 0.28V p-p (H) (4.43)	68	SECAM	0.9V p-p (H)	73	NTSC 3.58, 4.43	3.2V p-p (H)	75	SECAM	3V p-p (H)	78	SECAM	3V p-p (H)
5	SECAM	2.8V p-p (H)	SECAM	0.02V p-p (H)	SECAM	1.5V p-p (H)	15	SECAM	3.6V p-p (H)	20	PAL, SECAM NTSC 3.58, 4.43	SECAM	4.5V p-p (H)	65	PAL, SECAM	4.5V p-p (H)	68	NTSC 3.58, 4.43	0.75V p-p (H) (3.58) 0.45V p-p (H) (4.43)	73	PAL	3V p-p (H)	75	PAL	2.8V p-p (H)	78	SECAM	2.8V p-p (H)
5	NTSC 3.58	2.8V p-p (H)	SECAM	0.48V p-p (H) (3.58) 0.36V p-p (H) (4.43)	SECAM	6V p-p (H)	16	PAL, SECAM NTSC 3.58, 4.43	3.4V p-p (H) (PAL) 3V p-p (H) (SECAM) 3.6V p-p (H) (3.58) 3.4V p-p (H) (4.43)	20	PAL, SECAM NTSC 3.58, 4.43	SECAM	0.6V p-p (H) (4.43 MHz) (PAL) 0.55V p-p (H) (4.43 MHz) (SECAM) 0.48V p-p (H) (3.58 MHz) (3.58) 0.44V p-p (H) (4.43 MHz) (4.43)	65	NTSC 3.58, 4.43	0.35V p-p (H)	68	PAL	0.44V p-p (H)	73	SECAM	3.6V p-p (H)	75	SECAM	3.2V p-p (H)	78	SECAM	3.2V p-p (H)
5	NTSC 4.43	3.2V p-p (H)	SECAM	0.9V p-p (H)	SECAM	7.5V p-p (H)	12	SECAM	8V p-p (H)	20	PAL	1.8V p-p (H)	65	PAL	0.5V p-p (H)	68	SECAM	0.2V p-p (H)	73	SECAM	2.8V p-p (H)	75	PAL	2.8V p-p (H)	78	PAL	3.2V p-p (H)	
6	PAL	0.32V p-p (H)	SECAM	0.48V p-p (H)	SECAM	5.6V p-p (H) (3.58) 3.5V p-p (H) (4.43)	13	PAL	5.6V p-p (H)	20	SECAM	1.1V p-p (H) (4.43 MHz) (PAL) 1.0V p-p (H) (4.43 MHz) (SECAM) 2.4V p-p (H) (4.43 MHz) (4.43)	65	SECAM	0.8V p-p (H)	68	SECAM	0.34V p-p (H) (3.58) 0.32V p-p (H) (4.43)	73	SECAM	3.2V p-p (H)	75	SECAM	3V p-p (H)	78	SECAM	3V p-p (H)	
6	SECAM	0.48V p-p (H)	SECAM	1.1V p-p (H)	SECAM	6V p-p (H)	13	SECAM	2.0V p-p (H) (PAL) 2.5V p-p (H) (SECAM) 4V p-p (H) (4.43)	20	SECAM	1.6V p-p (H) (3.58) 1.5V p-p (H) (4.43)	65	NTSC 3.58, 4.43	0.9V p-p (H) (3.58) 0.7V p-p (H) (4.43)	68	PAL	0.7V p-p (H)	73	PAL, SECAM NTSC 3.58, 4.43	3.2V p-p (H)	75	SECAM	3.2V p-p (H)	78	PAL	3.2V p-p (H)	
7	PAL	0.9V p-p (H)	SECAM	0.9V p-p (H)	SECAM	5.5V p-p (H) (3.58) 3.4V p-p (H) (4.43)	13	SECAM	12V p-p (H)	21	PAL	1.1V p-p (H)	65	SECAM	1.1V p-p (H)	68	SECAM	2.8V p-p (H) (4.43 MHz) (PAL) 0.35V p-p (H) (4.43 MHz) (SECAM) 0.28V p-p (H) (3.58 MHz) (3.58) 0.28V p-p (H) (4.43 MHz) (4.43)	73	NTSC 3.58	2.8V p-p (H)	75	SECAM	2.8V p-p (H)	78	PAL	1.8V p-p (H)	

Q BOARD

19		25		31		37	
20		26		32		38	
21		27		33		39	
22		28		34		40	
23		29		35		41	
24		30		36		42	

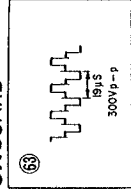
D BOARD

35		43		57	
36		44		58	
37		45			
38		46			
39		47			
40		48			
41		49			
42		50			
43		51			
44		52			
45		53			

C1 BOARD

59		65	
60		66	
61		67	
62		68	
63		69	
64		70	

GA BOARD



For Service Manuals Contact
MAURITRON TECHNICAL SERVICES
 8 Cherry Tree Rd, Chinnor
 Oxon OX9 4QY
 Tel: 01844-351694 Fax: 01844-362554
 Email: enquiries@mauritron.co.uk

SECTION 6
EXPLODED VIEWS

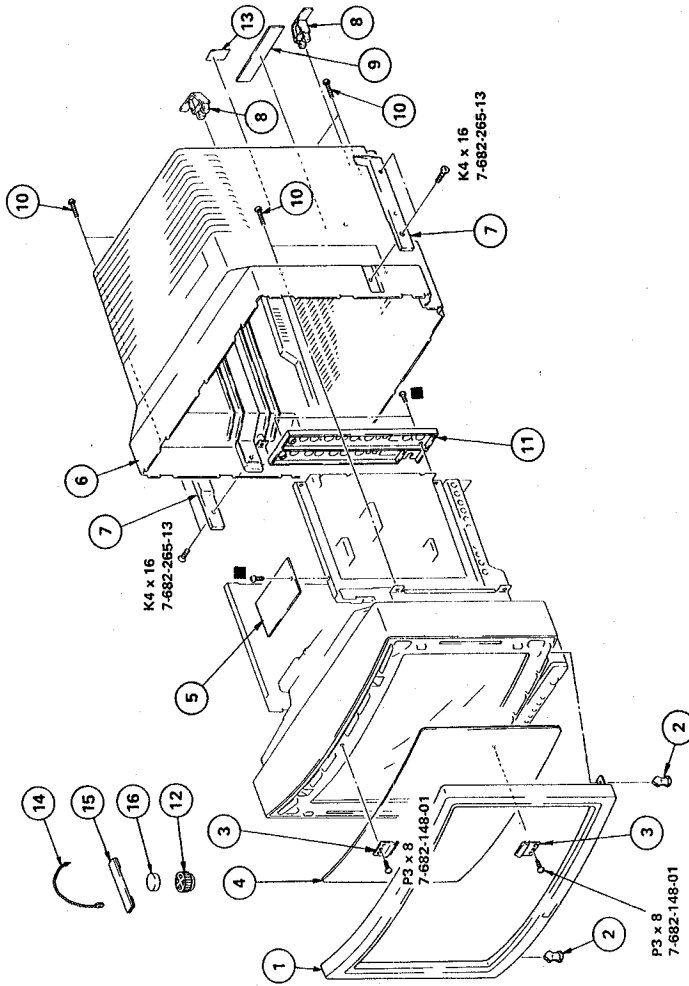
NOTE:
 • Items with no part number and no description are not stocked because they are seldom required for routine service. Some items may be anticipated in the construction of an assembled package and are stocked with a collation number in the remark column.

• Items marked "A" are not stocked since they are seldom required for routine service. Some items may be anticipated when ordering these items.

The components identified by shading and mark A are critical for safety. Replace only with part number specified.

(1) CABINET ASSY

■ : TA, BV3 x 8 7-685-646-71

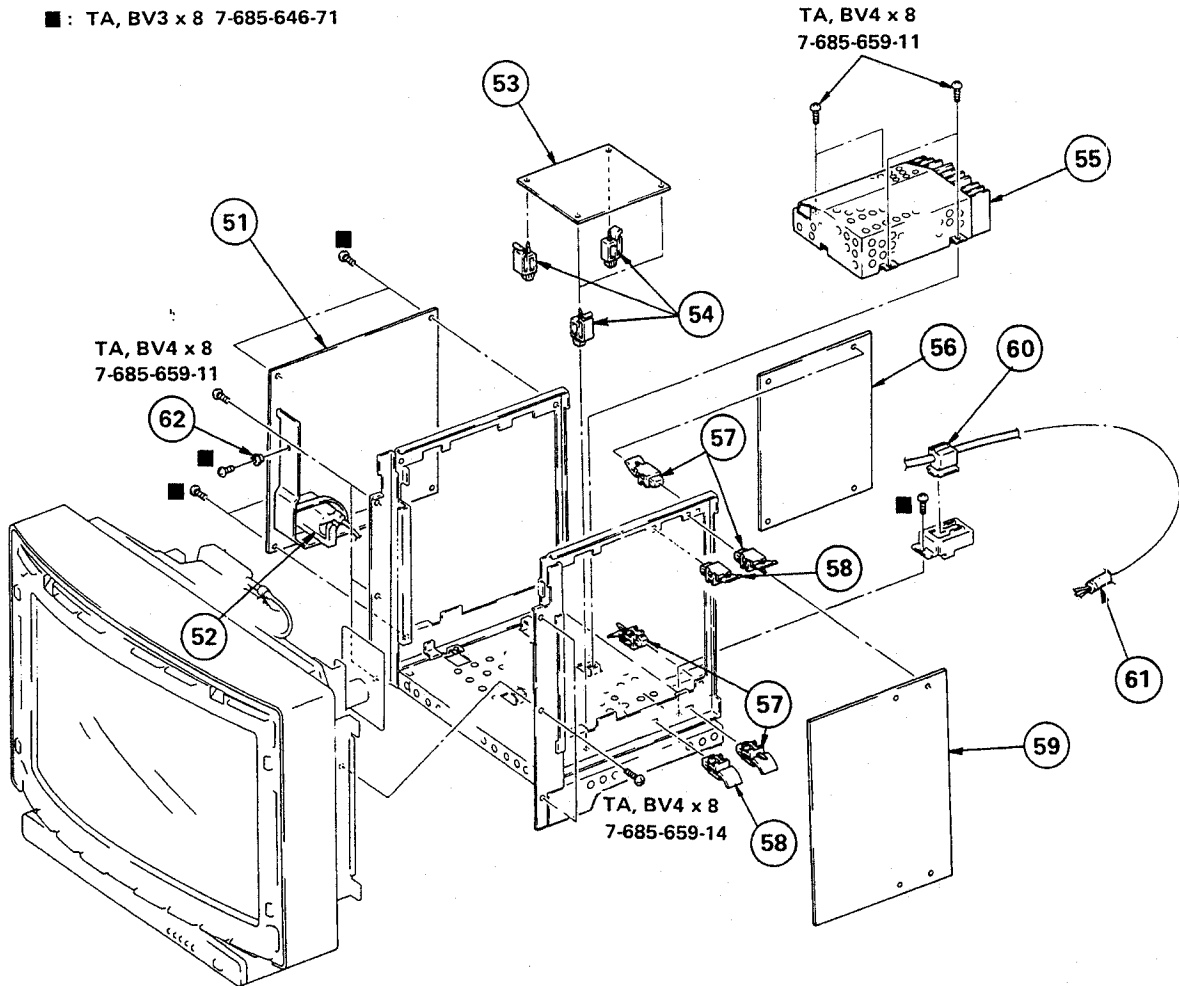


No.	Part No.	Description	Remark	No.	Part No.	Description	Remark
1	X-4370-904-1	PANEL ASSY, FRONT		9	4-370-907-01	SHEET (B), BLIND	
2	4-370-920-01	CLIP, PANEL		10	4-304-494-21	SCREW, PANHEAD	
3	4-370-902-01	RETAINER, PANEL		11	4-370-930-01	PANEL, CONTROL	
4	4-370-925-01	FILTER		12	1-452-034-00	MAGNET, CONTROLLABLE DISK; 15MM Ø	
5	1-612-246-11	C2 BOARD		13	4-363-314-01	LABEL, MODEL NUMBER	
6	X-4370-903-1	CABINET ASSY	7, 8, 9	14	4-308-870-00	BEAD, BAND	
7	X-4370-906-1	HANDLE ASSY		15	X-4308-815-0	BEWALLOTT ASSY, CONVERGENCE	
8	4-316-003-00	HOLDER, CORD		16	1-452-032-00	MAGNET DISK; 10MM Ø	

For Service Manuals Contact
MAURITRON TECHNICAL SERVICES
 8 Cherry Tree Rd, Chinnor
 Oxon OX9 4QY
 Tel: 01844-351694 Fax: 01844-352554
 Email: enquiries@mauritron.co.uk

(2) CHASSIS ASS'Y

■ : TA, BV3 x 8 7-685-646-71



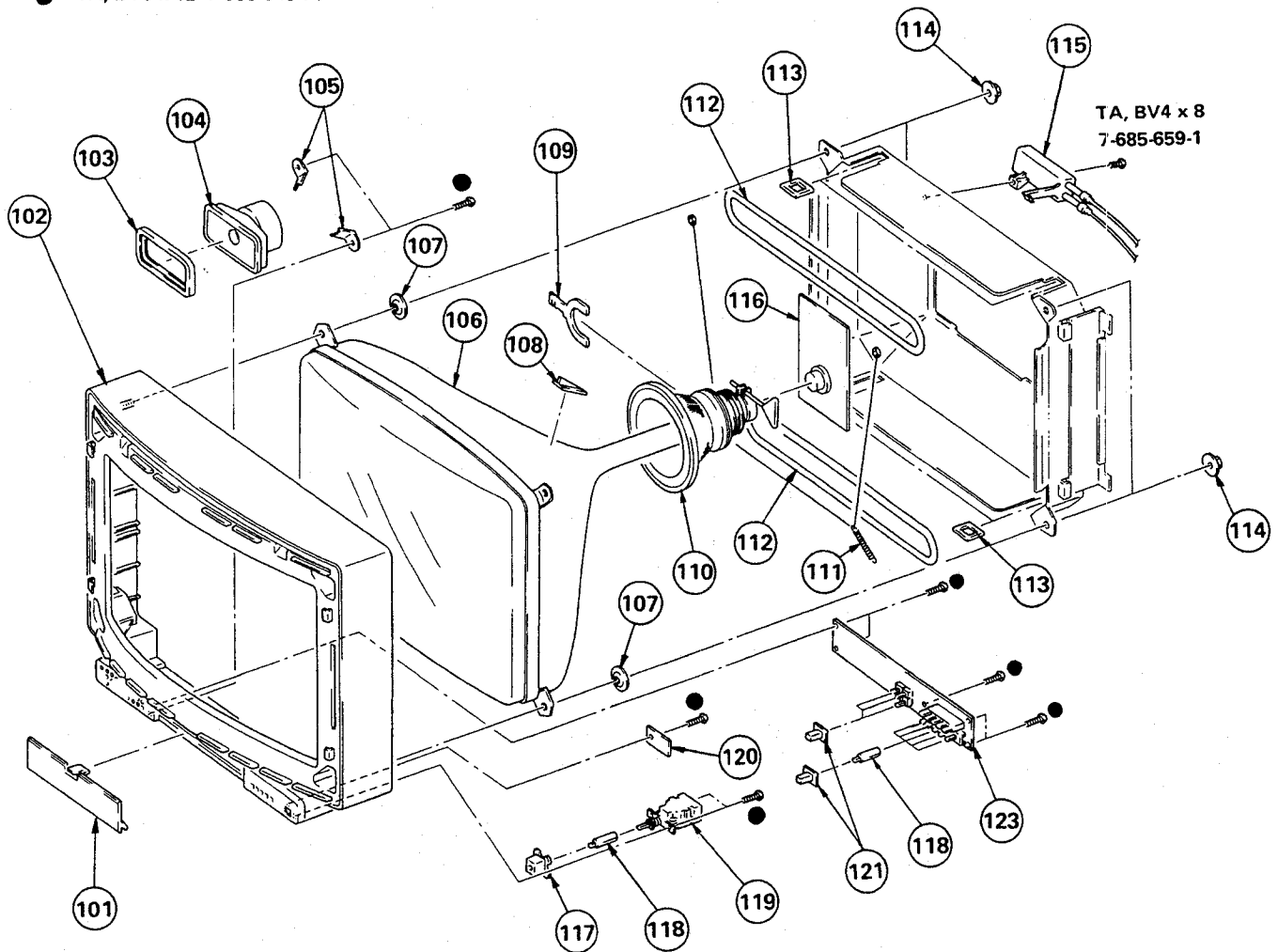
No.	Part No.	Description	Remark	No.	Part No.	Description	Remark
51	▲:A-1345-455-A	D BOARD, COMPLETE		57	▲:3-703-141-00	HOLDER, PCB	
52	▲.1-439-322-00	TRANSFORMER ASSY, FLYBACK		58	▲:4-321-929-00	HOLDER, PC BOARD	
53	▲1-612-243-11	F BOARD		59	▲:A-1135-239-A	B BOARD, COMPLETE	
54	▲:3-659-681-00	HOLDER, PC BOARD		60	▲:4-364-745-00	BUSHING, AC CORD	
55	▲.1-413-179-11	SWITCHING REGULATOR (TK-09)		61	▲.1-534-820-XX	POWER CORD	
56	A-1275-050-A	Q BOARD, COMPLETE		62	4-303-203-00	BUSHING	

The components identified by shading and mark ▲ are critical for safety. Replace only with part number specified.

PVM-2010QM

(3) BEZEL ASS'Y

● : TA, BV3 x 12 7-685-648-71



No.	Part No.	Description	Remark
101	X-4370-907-1	DOOR ASSY	
102	X-4363-306-1	BEZEL ASSY	103, 104, 105
103	▲4-364-741-00	CUSHION, SPEAKER	
104	1-503-109-00	SPEAKER	
105	▲4-321-611-00	CLAW, RETAINING, SPEAKER	
106	▲8-737-251-05	CRT A49JHT00X	
107	4-348-567-00	WASHER, CRT POSITION	
108	3-703-003-00	SPACER, DY	
109	1-452-146-00	BMC MAGNET	
110	▲1-451-204-61	DEFLECTION YOKE (SY-108B)	
111	4-303-774-XX	SPRING	
112	▲1-426-087-41	COIL, DEGAUSSING	

No.	Part No.	Description	Remark
113	▲4-322-922-00	HOLDER, COIL, DEGAUSSER	
114	4-306-034-00	FLANGE NUT, (B) 5MM	
115	▲1-228-482-00	RESISTOR ASSY, HIGH-VOLTAGE	
116	▲A-1330-507-A	C1 BOARD, COMPLETE	
117	4-346-409-11	BUTTON, POWER	
118	▲4-370-903-01	SHAFT, BUTTON	
119	▲1-552-503-00	SWITCH, PUSH	
120	▲1-612-249-11	X BOARD	
121	4-369-627-01	PUSH BUTTON	
123	▲1-612-248-11	H BOARD	

The components identified by shading and mark ▲ are critical for safety. Replace only with part number specified.

SECTION 7
ELECTRICAL PARTS LIST

H X B

The components identified by shading and mark **A** are critical for safety. Replace only with part number specified.

• Items marked "A" are not stocked since they are seldom required for routine service. Some delay should be anticipated when ordering these items.

When indicating parts by reference number, please include the board name.

• All variable and adjustable resistors have characteristic curve B, unless otherwise noted.

CAPACITORS
• MF : μ F, PF : μ μ F

RESISTORS
• All resistors are in ohms
• F : nonflammable

COILS
• MMH : mH, UH : μ H

Ref.No	Part No.	Description	Remark	Ref.No	Part No.	Description	Remark
▲:1-612-248-11	H BOARD	*****					
▲:4-363-319-01	HOLDER (4 GANG), LED						
▲:4-370-916-01	HOLDER (5 GANG), LED						
<u>DIODE</u>				<u>DIODE</u>			
D301	8-719-114-34	DIODE SY432D		D311	8-719-102-34	DIODE SG232D	
D302	8-719-114-34	DIODE SY432D		*****			
D303	8-719-114-34	DIODE SY432D		▲:A-1135-239-A	B BOARD, COMPLETE	*****	
D304	8-719-114-34	DIODE SY432D		▲:4-323-833-00	HEAT SINK, PIN OUT		
D305	8-719-114-34	DIODE SY432D		<u>CONNECTOR</u>			
D306	8-719-100-14	DIODE RD3.0E-B1		B1	▲:1-560-124-00	PLUG, CONNECTOR (2.5MM) 4P	
D307	8-719-114-34	DIODE SY432D		B2	▲:1-560-224-00	PLUG, CONNECTOR (2.5MM) 10P	
D308	8-719-114-34	DIODE SY432D		B3	▲:1-560-124-00	PLUG, CONNECTOR (2.5MM) 4P	
D309	8-719-114-34	DIODE SY432D		B4	▲:1-560-126-00	PLUG, CONNECTOR (2.5MM) 6P	
D310	8-719-114-34	DIODE SY432D		B5	▲:1-560-156-00	PLUG, CONNECTOR (2.5MM PITCH)	
<u>TRANSISTOR</u>				B6	▲:1-560-290-00	PLUG, CONNECTOR (2.5MM PITCH)	
Q301	8-729-245-83	TRANSISTOR 2SC2458		B7	▲:1-560-125-00	PLUG, CONNECTOR (2.5MM) 5P	
<u>RESISTOR</u>				B8	▲:1-560-124-00	PLUG, CONNECTOR (2.5MM) 4P	
R301	1-247-846-00	CARBON	4.3K 5% 1/6W	<u>CAPACITOR</u>			
R302	1-247-868-00	CARBON	36K 5% 1/6W	C003	1-123-356-00	ELECT	10MF 20% 25V
R303	1-247-852-00	CARBON	7.5K 5% 1/6W	C004	1-123-356-00	ELECT	10MF 20% 25V
R304	1-247-855-00	CARBON	10K 5% 1/6W	C005	1-123-356-00	ELECT	10MF 20% 25V
R305	1-247-831-00	CARBON	1K 5% 1/6W	C006	1-123-356-00	ELECT	10MF 20% 25V
R306	1-247-831-00	CARBON	1K 5% 1/6W	C007	1-123-356-00	ELECT	10MF 20% 25V
R307	1-247-831-00	CARBON	1K 5% 1/6W	C008	1-123-380-00	ELECT	1MF 20% 50V
R308	1-247-867-00	CARBON	33K 5% 1/6W	C009	1-106-212-00	MYLAR	0.047MF 10% 100V
R309	1-247-835-00	CARBON	1.5K 5% 1/6W	C010	1-123-356-00	ELECT	10MF 20% 25V
<u>VARIABLE RESISTOR</u>				C011	1-123-356-00	ELECT	10MF 20% 25V
RV301	1-228-938-00	RES, VAR, CARBON	20K	C012	1-123-356-00	ELECT	10MF 20% 25V
RV302	1-228-936-00	RES, VAR, CARBON	10K	C013	1-123-356-00	ELECT	10MF 20% 25V
RV303	1-228-938-00	RES, VAR, CARBON	20K	C014	1-123-380-00	ELECT	1MF 20% 50V
RV304	1-228-938-00	RES, VAR, CARBON	20K	C015	1-106-212-00	MYLAR	0.047MF 10% 100V
RV305	1-228-937-00	RES, VAR, CARBON	20K	C017	1-106-212-00	MYLAR	0.047MF 10% 100V
RV306	1-228-937-00	RES, VAR, CARBON	20K	C018	1-123-380-00	ELECT	1MF 20% 50V
RV307	1-228-938-00	RES, VAR, CARBON	20K	C019	1-123-356-00	ELECT	10MF 20% 25V
<u>SWITCH</u>				C020	1-123-356-00	ELECT	10MF 20% 25V
S301	1-554-405-00	SWITCH, PUSH (5 KEY)		C021	1-123-356-00	ELECT	10MF 20% 25V
S302	1-554-118-00	SWITCH, PUSH		C022	1-123-356-00	ELECT	10MF 20% 25V
S303	1-554-118-00	SWITCH, PUSH		C023	1-123-356-00	ELECT	10MF 20% 25V
S304	1-554-118-00	SWITCH, PUSH		C024	1-123-356-00	ELECT	10MF 20% 25V
S305	1-554-118-00	SWITCH, PUSH		C025	1-123-356-00	ELECT	10MF 20% 25V
*****				C026	1-123-332-00	ELECT	47MF 20% 25V
▲:1-612-249-11	X BOARD	*****		C027	1-123-356-00	ELECT	10MF 20% 25V
▲:4-345-701-00	HOLDER, LED			C100	1-101-361-00	CERAMIC	150PF 5% 50V
				C101	1-123-332-00	ELECT	47MF 20% 16V
				C102	1-123-356-00	ELECT	10MF 20% 25V
				C103	1-102-961-00	CERAMIC	27PF 5% 50V
				C104	1-102-973-00	CERAMIC	100PF 5% 50V
				C105	1-123-356-00	ELECT	10MF 20% 16V

For Service Manuals Contact
MAURITRON TECHNICAL SERVICES
8 Cherry Tree Rd, Chinnor
Oxon OX9 4QY
Tel: 01844-351694 Fax: 01844-352554
Email: enquiries@mauritron.co.uk

B

Ref.No	Part No.	Description	Remark	Ref.No	Part No.	Description	Remark	
C106	1-123-356-00	ELECT	10MF 20%	25V	C166	1-101-888-00	CERAMIC 68PF 5%	50V
C107	1-102-978-00	CERAMIC	220PF 5%	50V	C167	1-101-006-00	CERAMIC 0.047MF	50V
C108	1-123-356-00	ELECT	10MF 20%	16V	C169	1-108-389-00	MYLAR 0.1MF	10% 100V
C109	1-102-959-00	CERAMIC	22PF 5%	50V	C170	1-123-380-00	ELECT 1MF	20% 50V
C110	1-102-961-00	CERAMIC	27PF 5%	50V	C172	1-101-888-00	CERAMIC 68PF 5%	50V
C111	1-101-888-00	CERAMIC	68PF 5%	50V	C173	1-123-607-00	ELECT 0.1MF	20% 50V
C112	1-102-971-00	CERAMIC	82PF 5%	50V	C175	1-101-361-00	CERAMIC 150PF 5%	50V
C113	1-102-978-00	CERAMIC	220PF 5%	50V	C176	1-102-951-00	CERAMIC 15PF 5%	50V
C114	1-123-332-00	ELECT	47MF 20%	16V	C177	1-101-888-00	CERAMIC 68PF 5%	50V
C115	1-123-356-00	ELECT	10MF 20%	16V	C178	1-123-356-00	ELECT 10MF	20% 25V
C117	1-123-356-00	ELECT	10MF 20%	25V	C179	1-101-004-00	CERAMIC 0.01MF	50V
C119	1-102-944-00	CERAMIC	7PF 0.5PF	50V	C180	1-123-323-00	ELECT 470MF	20% 16V
C120	1-102-944-00	CERAMIC	7PF 0.5PF	50V	C183	1-123-379-00	ELECT 0.47MF	20% 50V
C121	1-102-944-00	CERAMIC	7PF 0.5PF	50V	C184	1-123-356-00	ELECT 10MF	20% 25V
C122	1-102-944-00	CERAMIC	7PF 0.5PF	50V	C186	1-123-356-00	ELECT 10MF	20% 25V
C123	1-123-380-00	ELECT	1MF 20%	50V	C187	1-101-004-00	CERAMIC 0.01MF	50V
C124	1-123-356-00	ELECT	10MF 20%	25V	C188	1-123-356-00	ELECT 10MF	20% 25V
C127	1-101-004-00	CERAMIC	0.01MF	50V	C189	1-123-356-00	ELECT 10MF	20% 25V
C128	1-123-380-00	ELECT	1MF 20%	50V	C190	1-123-356-00	ELECT 10MF	20% 25V
C129	1-123-379-00	ELECT	0.47MF 20%	50V	C200	1-123-607-00	ELECT 0.1MF	20% 50V
C130	1-123-380-00	ELECT	1MF 20%	50V	C201	1-123-607-00	ELECT 0.1MF	20% 50V
C131	1-108-389-00	MYLAR	0.1MF 10%	100V	C202	1-123-607-00	ELECT 0.1MF	20% 50V
C132	1-108-389-00	MYLAR	0.1MF 10%	100V	C203	1-121-257-00	ELECT 4.7MF	16V
C133	1-123-332-00	ELECT	47MF 16V		C204	1-123-381-00	ELECT 2.2MF	20% 50V
C134	1-102-944-00	CERAMIC	7PF 0.5PF	50V	C205	1-102-525-00	CERAMIC 68PF 5%	50V
			(Serial No.up to 204,000)		C206	1-102-892-00	CERAMIC 22PF 5%	50V
	1-101-880-00	CERAMIC	47PF 5%	50V	C207	1-102-679-00	CERAMIC 120PF 5%	50V
			(Serial No. 204,001 and later)		C208	1-101-880-00	CERAMIC 47PF 5%	50V
C135	1-101-004-00	CERAMIC	0.01MF	50V	C209	1-102-971-00	CERAMIC 82PF 5%	50V
C136	1-101-880-00	CERAMIC	47PF 5%	50V	C210	1-101-361-00	CERAMIC 150PF 5%	50V
C137	1-102-959-00	CERAMIC	22PF 5%	50V	C211	1-108-377-00	MYLAR 0.01MF	10% 100V
C138	1-101-004-00	CERAMIC	0.01MF	50V	C212	1-123-356-00	ELECT 10MF	20% 25V
C139	1-108-579-00	MYLAR	0.01MF 5%	50V	C213	1-101-004-00	CERAMIC 0.01MF	50V
C140	1-123-381-00	ELECT	2.2MF 20%	50V	C214	1-108-579-00	MYLAR 0.01MF	5% 50V
C141	1-161-025-00	CERAMIC	0.1MF 10%	25V	C215	1-102-892-00	CERAMIC 22PF 5%	50V
C142	1-161-025-00	CERAMIC	0.1MF 10%	25V	C216	1-102-824-00	CERAMIC 470PF 5%	50V
C143	1-101-880-00	CERAMIC	47PF 5%	50V	C217	1-123-356-00	ELECT 10MF	20% 25V
C144	1-101-880-00	CERAMIC	47PF 5%	50V	C220	1-123-325-00	ELECT 2200MF	20% 16V
C145	1-102-934-00	CERAMIC	1PF 0.25PF	50V	C221	1-108-389-00	MYLAR 0.1MF	10% 100V
C146	1-102-963-00	CERAMIC	33PF 5%	50V	C222	1-123-321-00	ELECT 220MF	20% 16V
C147	1-101-004-00	CERAMIC	0.01MF	50V	C223	1-123-332-00	ELECT 47MF	20% 16V
C148	1-123-356-00	ELECT	10MF 20%	25V	C224	1-123-369-00	ELECT 4.7MF	20% 25V
C150	1-101-004-00	CERAMIC	0.01MF	50V	C225	1-123-380-00	ELECT 1MF	20% 50V
C151	1-101-004-00	CERAMIC	0.01MF	50V	C226	1-102-125-00	CERAMIC 0.0047MF	10% 50V
C152	1-101-004-00	CERAMIC	0.01MF	50V	C227	1-123-379-00	ELECT 0.47MF	20% 50V
C153	1-106-204-00	MYLAR	0.022MF 10%	100V	C228	1-123-332-00	ELECT 47MF	20% 25V
C155	1-102-946-00	CERAMIC	9PF 0.5PF	50V	C229	1-123-369-00	ELECT 4.7MF	20% 25V
C157	1-123-380-00	ELECT	1MF 20%	50V	C230	1-102-824-00	CERAMIC 470PF 5%	50V
C158	1-123-382-00	ELECT	3.3MF 20%	50V	C231	1-123-356-00	ELECT 10MF	20% 16V
C159	1-124-049-00	ELECT	0.47MF 20%	50V	C232	1-123-356-00	ELECT 10MF	20% 16V
C160	1-102-115-00	CERAMIC	560PF 10%	50V	C233	1-123-379-00	ELECT 0.47MF	20% 50V
C161	1-102-971-00	CERAMIC	82PF 5%	50V	C234	1-108-377-00	MYLAR 0.01MF	10% 100V
C162	1-101-361-00	CERAMIC	150PF 5%	50V	C235	1-123-321-00	ELECT 220MF	20% 16V
C163	1-102-971-00	CERAMIC	82PF 5%	50V				
C164	1-121-257-00	ELECT	4.7MF	16V				
C165	1-101-361-00	CERAMIC	150PF 5%	50V				

Ref.No	Part No.	Description	Remark	Ref.No	Part No.	Description	Remark	
C236	1-101-004-00	CERAMIC	0.01MF	50V	IC103	8-759-113-65	IC UPC1365C	
C237	1-161-330-00	CERAMIC	0.01MF	30%	25V	IC104	8-759-240-24	IC TC4024BP
C238	1-123-332-00	ELECT	47MF	20%	16V	IC105	8-759-240-23	IC TC4023BP
C239	1-101-004-00	CERAMIC	0.01MF	50V	IC201	8-759-100-15	IC UPC1364C2	
C240	1-102-959-00	CERAMIC	22PF	5%	50V	IC202	8-759-101-77	IC UPC1241H
C241	1-102-959-00	CERAMIC	22PF	5%	50V	IC203	8-759-610-95	IC CX095E
C242	1-123-356-00	ELECT	10MF	20%	25V			
C243	1-101-004-00	CERAMIC	0.01MF	50V				
C244	1-101-004-00	CERAMIC	0.01MF	50V				
C343	1-101-004-00	CERAMIC	0.01MF	50V				
<u>DIODE</u>								
D001	8-719-911-19	DIODE	1SS119					
D002	8-719-911-19	DIODE	1SS119					
D003	8-719-911-19	DIODE	1SS119					
D004	8-719-911-19	DIODE	1SS119					
D005	8-719-911-19	DIODE	1SS119					
D007	8-719-911-19	DIODE	1SS119					
D101	8-719-911-19	DIODE	1SS119					
D102	8-719-911-19	DIODE	1SS119					
D103	8-719-981-01	DIODE	ERA81-004					
D104	8-719-911-19	DIODE	1SS119					
D105	8-719-911-19	DIODE	1SS119					
D106	8-719-911-19	DIODE	1SS119					
D107	8-719-911-19	DIODE	1SS119					
D108	8-719-911-19	DIODE	1SS119					
D109	8-719-911-19	DIODE	1SS119					
D110	8-719-911-19	DIODE	1SS119					
D111	8-719-911-19	DIODE	1SS119					
D112	8-719-911-19	DIODE	1SS119					
D113	8-719-911-19	DIODE	1SS119					
D114	8-719-911-19	DIODE	1SS119					
D115	8-719-911-19	DIODE	1SS119					
D116	8-719-911-19	DIODE	1SS119					
D117	8-719-911-19	DIODE	1SS119					
D118	8-719-911-19	DIODE	1SS119					
D119	8-719-911-19	DIODE	1SS119					
D120	8-719-911-19	DIODE	1SS119					
D121	8-719-911-19	DIODE	1SS119					
D122	8-719-911-19	DIODE	1SS119					
D123	8-719-911-19	DIODE	1SS119					
D124	8-719-100-37	DIODE	RD6.2E-B1					
D125	8-719-911-19	DIODE	1SS119					
<u>DELAY LINE</u>								
DL101	1-415-207-21	DELAY LINE	(1H)					
DL102	1-415-188-00	DELAY LINE						
DL103	1-415-122-31	DELAY LINE						
<u>IC</u>								
IC001	8-759-700-06	IC	UPC7812H					
IC101	8-752-006-10	IC	CX20061					
IC102	8-752-006-10	IC	CX20061					
				<u>CONNECTOR</u>				
J1	1-562-121-00	CONNECTOR,	DIN 6P					
J2	1-536-842-11	TERMINAL BOARD,	INPUT/OUTPUT(A)					
<u>COIL</u>								
L101	1-408-412-00	MICRO INDUCTOR	18UH					
L102	1-408-412-00	MICRO INDUCTOR	18UH					
L103	1-408-411-00	MICRO INDUCTOR	15UH					
L104	1-408-414-00	MICRO INDUCTOR	27UH					
L105	1-408-414-00	MICRO INDUCTOR	27UH					
L106	1-408-409-00	MICRO INDUCTOR	10UH					
L107	1-408-407-00	MICRO INDUCTOR	6.8UH					
L108	1-408-416-00	MICRO INDUCTOR	39UH					
L110	1-408-412-00	MICRO INDUCTOR	18UH					
L111	1-408-406-00	MICRO INDUCTOR	5.6UH					
L112	1-408-408-00	MICRO INDUCTOR	8.2UH					
L113	1-408-415-00	MICRO INDUCTOR	33UH					
L201	1-408-245-00	MICRO INDUCTOR	22MMH					
L202	1-408-163-00	MICRO INDUCTOR	5.6MMH					
L203	1-408-414-00	MICRO INDUCTOR	27UH					
L204	1-408-421-00	MICRO INDUCTOR	100UH					
<u>TRANSISTOR</u>								
Q001	8-729-245-83	TRANSISTOR	2SC2458					
Q002	8-729-204-83	TRANSISTOR	2SA1048-GR					
Q003	8-729-204-83	TRANSISTOR	2SA1048-GR					
Q004	8-729-204-83	TRANSISTOR	2SA1048-GR					
Q005	8-729-245-83	TRANSISTOR	2SC2458					
Q006	8-729-204-83	TRANSISTOR	2SA1048-GR					
Q007	8-729-204-83	TRANSISTOR	2SA1048-GR					
Q008	8-729-245-83	TRANSISTOR	2SC2458					
Q009	8-729-204-83	TRANSISTOR	2SA1048-GR					
Q010	8-729-245-83	TRANSISTOR	2SC2458					
Q011	8-729-245-83	TRANSISTOR	2SC2458					
Q012	8-729-204-83	TRANSISTOR	2SA1048-GR					
Q101	8-729-245-83	TRANSISTOR	2SC2458					
Q102	8-729-245-83	TRANSISTOR	2SC2458					
Q103	8-729-245-83	TRANSISTOR	2SC2458					
Q104	8-729-245-83	TRANSISTOR	2SC2458					
Q105	8-729-245-83	TRANSISTOR	2SC2458					
Q106	8-729-245-83	TRANSISTOR	2SC2458					
Q107	8-729-245-83	TRANSISTOR	2SC2458					
Q108	8-729-245-83	TRANSISTOR	2SC2458					
Q109	8-729-204-83	TRANSISTOR	2SA1048-GR					

For Service Manuals Contact
MAURITRON TECHNICAL SERVICES
 8 Cherry Tree Rd, Chinnor
 Oxon OX9 4QY
 Tel: 01844-351694 Fax: 01844-352554
 Email: enquiries@mauritron.co.uk

PVM-2010QM

B

Ref.No	Part No.	Description	Remark	Ref.No	Part No.	Description	Remark
Q110	8-729-245-83	TRANSISTOR 2SC2458		R010	1-247-850-00	CARBON 6.2K 5%	1/6W
Q111	8-729-245-83	TRANSISTOR 2SC2458		R011	1-247-850-00	CARBON 6.2K 5%	1/6W
Q113	8-729-245-83	TRANSISTOR 2SC2458		R012	1-247-871-00	CARBON 47K 5%	1/6W
Q116	8-729-204-83	TRANSISTOR 2SA1048-GR		R013	1-247-877-00	CARBON 82K 5%	1/6W
Q117	8-729-245-83	TRANSISTOR 2SC2458		R014	1-247-885-00	CARBON 180K 5%	1/6W
Q118	8-729-245-83	TRANSISTOR 2SC2458		R015	1-247-873-00	CARBON 56K 5%	1/6W
Q120	8-729-245-83	TRANSISTOR 2SC2458		R016	1-247-831-00	CARBON 1K 5%	1/6W
Q121	8-729-204-83	TRANSISTOR 2SA1048-GR		R017	1-247-804-00	CARBON 75 5%	1/6W
Q122	8-729-245-83	TRANSISTOR 2SC2458		R019	1-247-804-00	CARBON 75 5%	1/6W
Q123	8-729-245-83	TRANSISTOR 2SC2458		R020	1-247-865-00	CARBON 27K 5%	1/6W
Q124	8-729-115-30	TRANSISTOR 2SK105A-30		R021	1-247-845-00	CARBON 3.9K 5%	1/6W
Q125	8-729-245-83	TRANSISTOR 2SC2458		R022	1-247-863-00	CARBON 22K 5%	1/6W
Q126	8-729-115-30	TRANSISTOR 2SK105A-30		R023	1-247-875-00	CARBON 68K 5%	1/6W
Q127	8-729-115-30	TRANSISTOR 2SK105A-30		R024	1-247-850-00	CARBON 6.2K 5%	1/6W
Q128	8-769-115-30	TRANSISTOR 2SK105A-30		R025	1-247-871-00	CARBON 47K 5%	1/6W
Q129	8-729-245-83	TRANSISTOR 2SC2458		R026	1-247-873-00	CARBON 56K 5%	1/6W
Q130	8-729-245-83	TRANSISTOR 2SC2458		R027	1-247-877-00	CARBON 82K 5%	1/6W
Q131	8-729-115-30	TRANSISTOR 2SK105A-30		R028	1-247-885-00	CARBON 180K 5%	1/6W
Q132	8-729-115-30	TRANSISTOR 2SK105A-30		R029	1-247-855-00	CARBON 10K 5%	1/6W
Q133	8-729-245-83	TRANSISTOR 2SC2458		R030	1-247-885-00	CARBON 180K 5%	1/6W
Q135	8-729-204-83	TRANSISTOR 2SA1048-GR		R031	1-247-877-00	CARBON 82K 5%	1/6W
Q136	8-729-204-83	TRANSISTOR 2SA1048-GR		R032	1-247-871-00	CARBON 47K 5%	1/6W
Q137	8-729-204-83	TRANSISTOR 2SA1048-GR		R033	1-247-863-00	CARBON 22K 5%	1/6W
Q138	8-729-204-83	TRANSISTOR 2SA1048-GR		R034	1-247-875-00	CARBON 68K 5%	1/6W
Q139	8-729-245-83	TRANSISTOR 2SC2458		R035	1-247-831-00	CARBON 1K 5%	1/6W
Q140	8-729-204-83	TRANSISTOR 2SA1048-GR		R036	1-247-804-00	CARBON 75 5%	1/6W
Q141	8-729-204-83	TRANSISTOR 2SA1048-GR		R037	1-247-865-00	CARBON 27K 5%	1/6W
Q142	8-729-204-83	TRANSISTOR 2SA1048-GR		R038	1-247-845-00	CARBON 3.9K 5%	1/6W
Q143	8-729-204-83	TRANSISTOR 2SA1048-GR		R039	1-247-850-00	CARBON 6.2K 5%	1/6W
Q144	8-729-245-83	TRANSISTOR 2SC2458		R040	1-247-875-00	CARBON 68K 5%	1/6W
Q145	8-729-245-83	TRANSISTOR 2SC2458		R041	1-247-804-00	CARBON 75 5%	1/6W
Q148	8-729-245-83	TRANSISTOR 2SC2458		R042	1-247-865-00	CARBON 27K 5%	1/6W
Q149	8-729-204-83	TRANSISTOR 2SA1048-GR		R043	1-247-878-00	CARBON 91K 5%	1/6W
Q150	8-729-204-83	TRANSISTOR 2SA1048-GR		R045	1-247-855-00	CARBON 10K 5%	1/6W
Q151	8-729-245-83	TRANSISTOR 2SC2458		R046	1-247-853-00	CARBON 8.2K 5%	1/6W
Q152	8-729-245-83	TRANSISTOR 2SC2458		R049	1-247-873-00	CARBON 56K 5%	1/6W
Q153	8-729-245-83	TRANSISTOR 2SC2458		R051	1-247-839-00	CARBON 2.2K 5%	1/6W
Q154	8-729-178-54	TRANSISTOR 2SC2458		R052	1-247-807-00	CARBON 100 5%	1/6W
Q155	8-729-245-83	TRANSISTOR 2SC2458		R053	1-247-871-00	CARBON 47K 5%	1/6W
Q156	8-729-245-83	TRANSISTOR 2SC2458		R054	1-247-871-00	CARBON 47K 5%	1/6W
Q157	8-729-245-83	TRANSISTOR 2SC2458		R055	1-247-877-00	CARBON 82K 5%	1/6W
Q158	8-769-115-30	TRANSISTOR 2SK105A-30		R056	1-246-501-00	CARBON 15K 5%	1/4W
Q159	8-729-204-83	TRANSISTOR 2SA1048-GR		R100	1-247-853-00	CARBON 8.2K 5%	1/6W
<u>RESISTOR</u>				R101	1-247-869-00	CARBON 39K 5%	1/6W
R001	1-247-020-00	CARBON 1 5%	1/8W F	R102	1-247-815-00	CARBON 220 5%	1/6W
R002	1-247-831-00	CARBON 1K 5%	1/6W	R103	1-247-833-00	CARBON 1.2K 5%	1/6W
R003	1-247-865-00	CARBON 27K 5%	1/6W	R104	1-247-819-00	CARBON 330 5%	1/6W
R004	1-247-845-00	CARBON 3.9K 5%	1/6W	R105	1-247-827-00	CARBON 680 5%	1/6W
R005	1-247-839-00	CARBON 2.2K 5%	1/6W	R106	1-247-843-00	CARBON 3.3K 5%	1/6W
R006	1-247-875-00	CARBON 68K 5%	1/6W	R107	1-247-849-00	CARBON 5.6K 5%	1/6W
R007	1-247-863-00	CARBON 22K 5%	1/6W	R108	1-247-855-00	CARBON 10K 5%	1/6W
R009	1-247-850-00	CARBON 6.2K 5%	1/6W	R109	1-247-823-00	CARBON 470 5%	1/6W
				R110	1-247-823-00	CARBON 470 5%	1/6W

B

Ref.No	Part No.	Description	Remark	Ref.No	Part No.	Description	Remark
R111	1-247-839-00	CARBON	2.2K 5% 1/6W	R171	1-247-879-00	CARBON	100K 5% 1/6W
R112	1-247-827-00	CARBON	680 5% 1/6W	R173	1-247-847-00	CARBON	4.7K 5% 1/6W
R113	1-247-817-00	CARBON	270 5% 1/6W	R176	1-247-887-00	CARBON	220K 5% 1/6W
R114	1-247-827-00	CARBON	680 5% 1/6W	R177	1-247-879-00	CARBON	100K 5% 1/6W
R115	1-247-835-00	CARBON	1.5K 5% 1/6W	R178	1-247-883-00	CARBON	150K 5% 1/6W
R116	1-247-803-00	CARBON	68 5% 1/6W	R179	1-247-875-00	CARBON	68K 5% 1/6W
R117	1-247-827-00	CARBON	680 5% 1/6W	R180	1-247-831-00	CARBON	1K 5% 1/6W
R118	1-247-827-00	CARBON	680 5% 1/6W	R181	1-247-855-00	CARBON	10K 5% 1/6W
R119	1-247-807-00	CARBON	100 5% 1/6W	R182	1-247-871-00	CARBON	47K 5% 1/6W
R120	1-247-827-00	CARBON	680 5% 1/6W	R183	1-247-843-00	CARBON	3.3K 5% 1/6W
R121	1-247-827-00	CARBON	680 5% 1/6W	R184	1-247-833-00	CARBON	1.2K 5% 1/6W
R122	1-247-807-00	CARBON	100 5% 1/6W	R185	1-247-877-00	CARBON	82K 5% 1/6W
R123	1-247-831-00	CARBON	1K 5% 1/6W	R186	1-247-823-00	CARBON	470 5% 1/6W
R124	1-247-823-00	CARBON	470 5% 1/6W	R187	1-247-865-00	CARBON	27K 5% 1/6W
R125	1-247-831-00	CARBON	1K 5% 1/6W	R188	1-247-867-00	CARBON	33K 5% 1/6W
R126	1-247-807-00	CARBON	100 5% 1/6W	R189	1-247-875-00	CARBON	68K 5% 1/6W
R127	1-247-827-00	CARBON	680 5% 1/6W	R190	1-247-867-00	CARBON	33K 5% 1/6W
R128	1-247-814-00	CARBON	200 5% 1/6W	R191	1-247-871-00	CARBON	47K 5% 1/6W
R129	1-247-835-00	CARBON	1.5K 5% 1/6W	R192	1-247-839-00	CARBON	2.2K 5% 1/6W
R130	1-247-827-00	CARBON	680 5% 1/6W	R193	1-247-845-00	CARBON	3.9K 5% 1/6W
R131	1-247-823-00	CARBON	470 5% 1/6W	R194	1-247-859-00	CARBON	15K 5% 1/6W
R132	1-247-837-00	CARBON	1.8K 5% 1/6W	R195	1-247-839-00	CARBON	2.2K 5% 1/6W
R133	1-247-799-00	CARBON	47 5% 1/6W	R196	1-247-865-00	CARBON	27K 5% 1/6W
R135	1-247-815-00	CARBON	220 5% 1/6W	R197	1-247-827-00	CARBON	680 5% 1/6W
R136	1-247-839-00	CARBON	2.2K 5% 1/6W	R198	1-247-827-00	CARBON	680 5% 1/6W
R137	1-247-861-00	CARBON	18K 5% 1/6W	R199	1-247-831-00	CARBON	1K 5% 1/6W
R138	1-247-843-00	CARBON	3.3K 5% 1/6W	R200	1-247-879-00	CARBON	100K 5% 1/6W
R139	1-247-855-00	CARBON	10K 5% 1/6W	R201	1-247-903-00	CARBON	1M 5% 1/6W
R140	1-247-863-00	CARBON	22K 5% 1/6W	R202	1-247-903-00	CARBON	1M 5% 1/6W
R141	1-247-863-00	CARBON	22K 5% 1/6W	R203	1-247-855-00	CARBON	10K 5% 1/6W
R143	1-247-807-00	CARBON	100 5% 1/6W	R204	1-247-855-00	CARBON	10K 5% 1/6W
R144	1-247-863-00	CARBON	22K 5% 1/6W	R205	1-247-855-00	CARBON	10K 5% 1/6W
R145	1-247-863-00	CARBON	22K 5% 1/6W	R206	1-247-875-00	CARBON	68K 5% 1/6W
R147	1-247-835-00	CARBON	1.5K 5% 1/6W	R207	1-247-815-00	CARBON	220 5% 1/6W
R148	1-247-835-00	CARBON	1.5K 5% 1/6W	R208	1-247-855-00	CARBON	10K 5% 1/6W
R149	1-247-863-00	CARBON	22K 5% 1/6W	R209	1-247-867-00	CARBON	33K 5% 1/6W
R150	1-247-829-00	CARBON	820 5% 1/6W	R210	1-247-815-00	CARBON	220 5% 1/6W
R151	1-247-823-00	CARBON	470 5% 1/6W	R211	1-247-815-00	CARBON	220 5% 1/6W
R152	1-247-829-00	CARBON	820 5% 1/6W	R212	1-247-845-00	CARBON	3.9K 5% 1/6W
R153	1-247-843-00	CARBON	3.3K 5% 1/6W	R213	1-247-815-00	CARBON	220 5% 1/6W
R154	1-247-863-00	CARBON	22K 5% 1/6W	R214	1-247-815-00	CARBON	220 5% 1/6W
R155	1-247-855-00	CARBON	10K 5% 1/6W	R215	1-247-847-00	CARBON	4.7K 5% 1/6W
R156	1-247-867-00	CARBON	33K 5% 1/6W	R216	1-247-879-00	CARBON	100K 5% 1/6W
R157	1-247-867-00	CARBON	33K 5% 1/6W	R217	1-247-879-00	CARBON	100K 5% 1/6W
R158	1-247-875-00	CARBON	68K 5% 1/6W	R218	1-247-855-00	CARBON	10K 5% 1/6W
R159	1-247-827-00	CARBON	680 5% 1/6W	R219	1-247-849-00	CARBON	5.6K 5% 1/6W
R160	1-247-869-00	CARBON	39K 5% 1/6W	R220	1-247-867-00	CARBON	33K 5% 1/6W
R161	1-247-855-00	CARBON	10K 5% 1/6W	R221	1-247-869-00	CARBON	39K 5% 1/6W
R162	1-247-871-00	CARBON	47K 5% 1/6W	R222	1-247-875-00	CARBON	68K 5% 1/6W
R165	1-247-903-00	CARBON	1M 5% 1/6W	R223	1-247-849-00	CARBON	5.6K 5% 1/6W
R167	1-247-835-00	CARBON	1.5K 5% 1/6W	R224	1-247-891-00	CARBON	330K 5% 1/6W
R168	1-247-867-00	CARBON	33K 5% 1/6W	R225	1-247-879-00	CARBON	100K 5% 1/6W
R170	1-247-859-00	CARBON	15K 5% 1/6W	R226	1-247-878-00	CARBON	91K 5% 1/6W

For Service Manuals Contact
MAURITRON TECHNICAL SERVICES
 8 Cherry Tree Rd, Chinnor
 Oxon OX9 4QY
 Tel:- 01844-351694 Fax:- 01844-352554
 Email:- enquiries@mauritron.co.uk

B

Ref.No	Part No.	Description	Remark	Ref.No	Part No.	Description	Remark
R228	1-247-835-00	CARBON	1.5K 5% 1/6W	R283	1-247-847-00	CARBON	4.7K 5% 1/6W
R230	1-247-847-00	CARBON	4.7K 5% 1/6W	R284	1-247-853-00	CARBON	8.2K 5% 1/6W
R231	1-247-873-00	CARBON	56K 5% 1/6W	R285	1-247-843-00	CARBON	3.3K 5% 1/6W
R232	1-247-821-00	CARBON	390 5% 1/6W	R286	1-247-843-00	CARBON	3.3K 5% 1/6W
R233	1-247-815-00	CARBON	220 5% 1/6W	R287	1-247-903-00	CARBON	1M 5% 1/6W
R234	1-247-815-00	CARBON	220 5% 1/6W	R288	1-247-879-00	CARBON	100K 5% 1/6W
R235	1-247-823-00	CARBON	470 5% 1/6W	R290	1-247-855-00	CARBON	10K 5% 1/6W
R236	1-247-807-00	CARBON	100 5% 1/6W	R291	1-247-855-00	CARBON	10K 5% 1/6W
R237	1-247-815-00	CARBON	220 5% 1/6W	R292	1-246-401-00	CARBON	1 5% 1/4W
R238	1-247-867-00	CARBON	33K 5% 1/6W	R293	1-247-841-00	CARBON	2.7K 5% 1/6W
R239	1-247-877-00	CARBON	82K 5% 1/6W	R294	1-247-807-00	CARBON	100 5% 1/6W
R240	1-247-838-00	CARBON	2K 5% 1/6W	R295	1-247-847-00	CARBON	4.7K 5% 1/6W
R241	1-247-863-00	CARBON	22K 5% 1/6W	R296	1-246-521-00	CARBON	100K 5% 1/4W
R242	1-247-854-00	CARBON	9.1K 5% 1/6W	R297	1-247-871-00	CARBON	47K 5% 1/6W
R243	1-247-857-00	CARBON	12K 5% 1/6W	R298	1-247-871-00	CARBON	47K 5% 1/6W
R244	1-247-843-00	CARBON	3.3K 5% 1/6W	R299	1-247-823-00	CARBON	470 5% 1/6W
R245	1-247-849-00	CARBON	5.6K 5% 1/6W	R301	1-247-658-00	CARBON	47 5% 1/4W F
R246	1-247-855-00	CARBON	10K 5% 1/6W	R302	1-247-871-00	CARBON	47K 5% 1/6W
R247	1-247-859-00	CARBON	15K 5% 1/6W	R303	1-247-831-00	CARBON	1K 5% 1/6W
R248	1-247-839-00	CARBON	2.2K 5% 1/6W	R304	1-247-831-00	CARBON	1K 5% 1/6W
R249	1-247-871-00	CARBON	47K 5% 1/6W	R305	1-247-831-00	CARBON	1K 5% 1/6W
R250	1-247-885-00	CARBON	180K 5% 1/6W	R306	1-247-883-00	CARBON	150K 5% 1/6W
R251	1-247-849-00	CARBON	5.6K 5% 1/6W	R307	1-247-819-00	CARBON	330 5% 1/6W
R252	1-247-853-00	CARBON	8.2K 5% 1/6W	R308	1-247-865-00	CARBON	27K 5% 1/6W
R253	1-247-843-00	CARBON	3.3K 5% 1/6W	R309	1-247-815-00	CARBON	220 5% 1/6W
R254	1-247-855-00	CARBON	10K 5% 1/6W	R310	1-247-843-00	CARBON	3.3K 5% 1/6W
R255	1-247-831-00	CARBON	1K 5% 1/6W	R311	1-247-872-00	CARBON	51K 5% 1/6W
R256	1-247-853-00	CARBON	8.2K 5% 1/6W	R312	1-247-839-00	CARBON	2.2K 5% 1/6W
R258	1-247-839-00	CARBON	2.2K 5% 1/6W	R313	1-247-847-00	CARBON	4.7K 5% 1/6W
R259	1-247-853-00	CARBON	8.2K 5% 1/6W	R314	1-247-867-00	CARBON	33K 5% 1/6W
R260	1-247-875-00	CARBON	68K 5% 1/6W	R315	1-247-835-00	CARBON	1.5K 5% 1/6W
R261	1-247-855-00	CARBON	10K 5% 1/6W	R316	1-247-835-00	CARBON	1.5K 5% 1/6W
R262	1-247-879-00	CARBON	100K 5% 1/6W	R317	1-246-469-00	CARBON	680 5% 1/4W
R263	1-247-855-00	CARBON	10K 5% 1/6W	R318	1-247-813-00	CARBON	180 5% 1/6W
R264	1-247-875-00	CARBON	68K 5% 1/6W	R319	1-247-823-00	CARBON	470 5% 1/6W
R265	1-247-855-00	CARBON	10K 5% 1/6W	R322	1-247-851-00	CARBON	6.8K 5% 1/6W
R266	1-247-855-00	CARBON	10K 5% 1/6W	R324	1-246-473-00	CARBON	1K 5% 1/4W
R267	1-247-863-00	CARBON	22K 5% 1/6W	R325	1-247-855-00	CARBON	10K 5% 1/6W
R268	1-247-875-00	CARBON	68K 5% 1/6W	R326	1-247-845-00	CARBON	3.9K 5% 1/6W
R269	1-247-855-00	CARBON	10K 5% 1/6W	R328	1-247-838-00	CARBON	2K 5% 1/6W
R270	1-247-827-00	CARBON	680 5% 1/6W	R329	1-247-845-00	CARBON	3.9K 5% 1/6W
R271	1-246-521-00	CARBON	100K 5% 1/4W	R332	1-247-873-00	CARBON	56K 5% 1/6W
R272	1-246-517-00	CARBON	68K 5% 1/4W	R335	1-247-871-00	CARBON	47K 5% 1/6W
R273	1-246-545-00	CARBON	1M 5% 1/4W	R336	1-247-863-00	CARBON	22K 5% 1/6W
R274	1-246-513-00	CARBON	47K 5% 1/4W	R337	1-247-875-00	CARBON	68K 5% 1/6W
R275	1-247-855-00	CARBON	10K 5% 1/6W	R338	1-247-855-00	CARBON	10K 5% 1/6W
R276	1-247-859-00	CARBON	15K 5% 1/6W	R339	1-247-839-00	CARBON	2.2K 5% 1/6W
R277	1-247-829-00	CARBON	820 5% 1/6W	R340	1-247-815-00	CARBON	220 5% 1/6W
R278	1-247-849-00	CARBON	5.6K 5% 1/6W	R341	1-247-855-00	CARBON	10K 5% 1/6W
R279	1-246-509-00	CARBON	33K 5% 1/4W	R342	1-247-841-00	CARBON	2.7K 5% 1/6W
R280	1-247-871-00	CARBON	47K 5% 1/6W	R343	1-247-831-00	CARBON	1K 5% 1/6W
R281	1-247-859-00	CARBON	15K 5% 1/6W	R344	1-247-831-00	CARBON	1K 5% 1/6W
R282	1-247-839-00	CARBON	2.2K 5% 1/8W F				



Ref.No	Part No.	Description	Remark	Ref.No	Part No.	Description	Remark
R345	1-247-841-00	CARBON 2.7K 5% 1/6W		C688	1-102-222-00	CERAMIC 0.001MF 20% 250V	
R346	1-247-841-00	CARBON 2.7K 5% 1/6W		C689	1-125-287-00	ELECT(BLOCK) 430MF 400V	
R347	1-247-845-00	CARBON 3.9K 5% 1/6W		C691	1-102-085-00	CERAMIC 0.0047MF 500V	
R348	1-247-857-00	CARBON 12K 5% 1/6W					
R349	1-247-855-00	CARBON 10K 5% 1/6W					
<u>VARIABLE RESISTOR</u>							
RV101	1-228-718-00	RES, ADJ, CERAMIC CARBON 330					
RV103	1-228-722-00	RES, ADJ, CERAMIC CARBON 3.3K					
RV104	1-228-725-00	RES, ADJ, CERAMIC CARBON 22K					
RV105	1-228-725-00	RES, ADJ, CERAMIC CARBON 22K					
RV106	1-228-722-00	RES, ADJ, CERAMIC CARBON 3.3K					
RV107	1-228-724-00	RES, ADJ, CERAMIC CARBON 10K					
RV108	1-228-723-00	RES, ADJ, CERAMIC CARBON 4.7K					
RV109	1-228-723-00	RES, ADJ, CERAMIC CARBON 4.7K					
RV110	1-228-719-00	RES, ADJ, CERAMIC CARBON 470					
RV111	1-228-727-00	RES, ADJ, CERAMIC CARBON 47K					
<u>SWITCH</u>							
S1	1-553-725-00	SWITCH, SLIDE					
S2	1-553-725-00	SWITCH, SLIDE					
S3	1-553-725-00	SWITCH, SLIDE					
<u>TRANSFORMER</u>							
T101	1-408-513-00	COIL (VARIABLE)					
T102	1-409-193-00	COIL 3.58MHZ TRAP					
T103	1-409-193-00	COIL 3.58MHZ TRAP					
T104	1-404-081-00	TRANSFORMER, DELAY ADJUST					
T201	1-404-146-00	TRANSFORMER					
T202	1-408-532-00	COIL, VARIABLE					
T203	1-408-532-00	COIL, VARIABLE					
T204	1-408-513-00	COIL (VARIABLE)					
<u>THERMISTOR</u>							
TH101	1-800-070-XX	THERMISTOR TH-4700					
TH201	1-800-626-00	THERMISTOR					
<u>CRYSTAL</u>							
X101	1-527-396-00	CRYSTAL, OSC					
X102	1-527-345-00	CRYSTAL, OSC					

	▲:1-612-243-11	F BOARD					

<u>CAPACITOR</u>							
C681	1-130-238-00	MYLAR 0.22MF 20% 300V		C402	1-123-356-00	ELECT 10MF 20% 25V	
C682	1-130-238-00	MYLAR 0.22MF 20% 300V		C403	1-102-953-00	CERAMIC 18PF 5% 50V	
C683	1-102-222-00	CERAMIC 0.001MF 20% 250V		C405	1-123-380-00	ELECT 1MF 20% 50V	
C684	1-102-222-00	CERAMIC 0.001MF 20% 250V		C407	1-123-356-00	ELECT 10MF 20% 25V	
C685	1-102-222-00	CERAMIC 0.001MF 20% 250V		C408	1-102-953-00	CERAMIC 18PF 5% 50V	
C686	1-102-222-00	CERAMIC 0.001MF 20% 250V		C410	1-123-380-00	ELECT 1MF 20% 50V	
C687	1-102-222-00	CERAMIC 0.001MF 20% 250V		C412	1-123-356-00	ELECT 10MF 20% 25V	
				C413	1-102-953-00	CERAMIC 18PF 5% 50V	
				C415	1-123-380-00	ELECT 1MF 20% 50V	
				C417	1-123-332-00	ELECT 47MF 20% 25V	
				C419	1-106-212-00	MYLAR 0.047MF 10% 100V	
				C420	1-123-380-00	ELECT 1MF 20% 50V	
				C422	1-106-212-00	MYLAR 0.047MF 10% 100V	
				C423	1-123-380-00	ELECT 1MF 20% 50V	
				C424	1-123-332-00	ELECT 47MF 20% 25V	

Ref.No	Part No.	Description	Remark
D681	8-719-911-55	DIODE U05G	
<u>CONNECTOR</u>			
F1	▲:1-506-348-XX	6P PLUG	
F2	▲:1-508-765-00	3P PLUG (M)	
F3	▲:1-508-765-00	3P PLUG (M)	
<u>FUSE</u>			
F601	▲:1-532-237-00	FUSE, TIME-LAG	
	1-533-087-00	HOLDER, FUSE, F601	
<u>RESISTOR</u>			
R681	1-214-947-00	METAL 2.7M 1% 1/2W	
R682	1-205-653-00	CEMENTED 100 5% 5W	
<u>TRANSFORMER</u>			
T651	1-421-352-00	TRANSFORMER, FERRITE	
T652	1-421-352-00	TRANSFORMER, FERRITE	
<u>THERMISTOR</u>			
TH601	1-800-820-00	THERMISTOR, POWER	
THP601	1-806-387-00	THERMISTOR (POSITIVE)	

	▲:A-1275-050-A	Q BOARD, COMPLETE	

	1-536-843-11	TERMINAL BOARD, INPUT/OUTPUT(B)	
	4-330-414-00	HEAT SINK (O.W)	
	▲:4-603-275-00	LOCK, SCREW	

For Service Manuals Contact
MAURITRON TECHNICAL SERVICES
 8 Cherry Tree Rd, Chinnor
 Oxon OX9 4QY
 Tel: 01844-351694 Fax: 01844-352554
 Email: enquiries@mauritron.co.uk

The components identified by shading and mark ▲ are critical for safety. Replace only with part number specified.

Q

Ref.No	Part No.	Description	Remark
C426	1-123-234-00	ELECT 10MF	20% 50V
C428	1-123-234-00	ELECT 10MF	20% 50V
C430	1-123-234-00	ELECT 10MF	20% 50V
C432	1-123-332-00	ELECT 47MF	20% 25V
C433	1-123-356-00	ELECT 10MF	20% 25V
C434	1-102-773-00	CERAMIC 330PF	5% 50V
C435	1-123-332-00	ELECT 47MF	20% 25V
C436	1-101-006-00	CERAMIC 0.047MF	50V
C437	1-123-234-00	ELECT 10MF	20% 50V
C438	1-123-369-00	ELECT 4.7MF	20% 25V
C441	1-101-006-00	CERAMIC 0.047MF	50V
C443	1-106-212-00	MYLAR 0.047MF	10% 100V
C444	1-108-377-00	MYLAR 0.01MF	10% 100V
C446	1-123-380-00	ELECT 1MF	20% 50V
C447	1-123-380-00	ELECT 1MF	20% 50V
C448	1-123-380-00	ELECT 1MF	20% 50V
C452	1-123-382-00	ELECT 3.3MF	20% 50V
C453	1-123-228-00	ELECT 1MF	20% 50V
C455	1-101-006-00	CERAMIC 0.047MF	50V
C457	1-102-773-00	CERAMIC 330PF	5% 50V
C459	1-102-773-00	CERAMIC 330PF	5% 50V
C461	1-102-773-00	CERAMIC 330PF	5% 50V
C463	1-123-356-00	ELECT 10MF	20% 25V
C464	1-123-332-00	ELECT 47MF	20% 25V
C466	1-123-332-00	ELECT 47MF	20% 25V
C467	1-101-006-00	CERAMIC 0.047MF	50V
C468	1-101-006-00	CERAMIC 0.047MF	50V
C469	1-108-377-00	MYLAR 0.01MF	10% 100V
C489	1-123-332-00	ELECT 47MF	20% 25V
C490	1-123-332-00	ELECT 47MF	20% 25V
C491	1-123-332-00	ELECT 47MF	20% 25V
C492	1-123-332-00	ELECT 47MF	20% 25V
C493	1-102-766-00	CERAMIC 150PF	5% 50V
C494	1-108-377-00	MYLAR 0.01MF	10% 100V
C495	1-101-006-00	CERAMIC 0.047MF	50V
C497	1-123-356-00	ELECT 10MF	20% 25V
<u>CONNECTOR</u>			
CN407	▲:1-562-243-00	CONNECTOR 25P	
<u>DIODE</u>			
D401	8-719-911-19	DIODE 1SS119	
D402	8-719-911-19	DIODE 1SS119	
D403	8-719-911-19	DIODE 1SS119	
D404	8-719-100-37	DIODE RD6.2E-B1	
D405	8-719-100-37	DIODE RD6.2E-B1	
D406	8-719-100-37	DIODE RD6.2E-B1	
D407	8-719-100-37	DIODE RD6.2E-B1	
D408	8-719-911-19	DIODE 1SS119	
D409	8-719-911-19	DIODE 1SS119	
D410	8-719-911-19	DIODE 1SS119	
D411	8-719-911-19	DIODE 1SS119	

Ref.No	Part No.	Description	Remark
D412	8-719-911-19	DIODE 1SS119	
D414	8-719-911-19	DIODE 1SS119	
D415	8-719-911-19	DIODE 1SS119	
D416	8-719-911-19	DIODE 1SS119	
D418	8-719-100-37	DIODE RD6.2E-B1	
D419	8-719-100-37	DIODE RD6.2E-B1	
D420	8-719-911-19	DIODE 1SS119	
D422	8-719-100-37	DIODE RD6.2E-B1	
D423	8-719-100-22	DIODE RD4.3E-B1	
D424	8-719-911-19	DIODE 1SS119	
D425	8-719-100-26	DIODE RD4.7E-B1	
D435	8-719-911-19	DIODE 1SS119	
D436	8-719-911-19	DIODE 1SS119	
D437	8-719-911-19	DIODE 1SS119	
<u>FUSE</u>			
F402	▲:1-532-078-00	FUSE, TIME-LAG	
	1-533-087-00	HOLDER, FUSE, F402	
F404	▲:1-532-279-00	FUSE, TIME-LAG	
	1-533-087-00	HOLDER, FUSE, F404	
<u>IC</u>			
IC401	8-752-201-90	IC CX22019	
IC402	8-759-900-09	IC SN74LS09N	
IC403	8-759-901-36	IC SN74LS136N	
IC404	8-759-900-08	IC SN74LS08N	
IC405	8-759-900-08	IC SN74LS08N	
IC406	8-759-900-04	IC SN74LS04N	
IC407	8-759-900-00	IC SN74LS00N	
IC408	8-759-900-20	IC SN74LS20N	
IC409	8-759-901-38	IC SN74LS138N	
<u>COIL</u>			
L401	1-408-412-00	MICRO INDUCTOR 18UH	
L402	1-408-412-00	MICRO INDUCTOR 18UH	
L403	1-408-412-00	MICRO INDUCTOR 18UH	
L407	1-408-163-00	MICRO INDUCTOR 5.6MMH	
<u>CONNECTOR</u>			
Q1	▲:1-560-124-00	PLUG, CONNECTOR (2.5MM) 4P	
Q2	▲:1-560-124-00	PLUG, CONNECTOR (2.5MM) 4P	
Q3	▲:1-560-224-00	PLUG, CONNECTOR (2.5MM) 10P	
Q4	▲:1-560-125-00	PLUG, CONNECTOR (2.5MM) 5P	
Q5	▲:1-560-126-00	PLUG, CONNECTOR (2.5MM) 6P	
Q7	▲:1-560-128-00	PLUG, CONNECTOR (2.5MM PITCH)	
<u>TRANSISTOR</u>			
Q401	8-729-204-83	TRANSISTOR 2SA1048-GR	
Q402	8-729-245-83	TRANSISTOR 2SC2458	
Q403	8-729-204-83	TRANSISTOR 2SA1048-GR	
Q404	8-729-245-83	TRANSISTOR 2SC2458	
Q405	8-729-204-83	TRANSISTOR 2SA1048-GR	
Q406	8-729-245-83	TRANSISTOR 2SC2458	

The components identified by shading and mark ▲ are critical for safety. Replace only with part number specified.

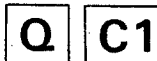


Ref.No	Part No.	Description	Remark	Ref.No	Part No.	Description	Remark
Q407	8-729-204-83	TRANSISTOR 2SA1048-GR		R361	1-246-469-00	CARBON 680 5%	1/4W
Q408	8-729-204-83	TRANSISTOR 2SA1048-GR		R362	1-246-469-00	CARBON 680 5%	1/4W
Q409	8-729-245-83	TRANSISTOR 2SC2458		R364	1-247-827-00	CARBON 680 5%	1/6W
Q410	8-729-204-83	TRANSISTOR 2SA1048-GR		R365	1-246-469-00	CARBON 680 5%	1/4W
Q411	8-729-245-83	TRANSISTOR 2SC2458		R366	1-246-457-00	CARBON 220 5%	1/4W
Q412	8-729-245-83	TRANSISTOR 2SC2458		R367	1-246-457-00	CARBON 220 5%	1/4W
Q413	8-729-245-83	TRANSISTOR 2SC2458		R368	1-247-855-00	CARBON 10K 5%	1/6W
Q414	8-729-204-83	TRANSISTOR 2SA1048-GR		R369	1-247-815-00	CARBON 220 5%	1/6W
Q415	8-729-245-83	TRANSISTOR 2SC2458		R370	1-247-815-00	CARBON 220 5%	1/6W
Q416	8-729-245-83	TRANSISTOR 2SC2458		R371	1-247-843-00	CARBON 3.3K 5%	1/6W
Q417	8-729-245-83	TRANSISTOR 2SC2458		R372	1-246-485-00	CARBON 3.3K 5%	1/4W
Q418	8-729-204-83	TRANSISTOR 2SA1048-GR		R373	1-246-537-00	CARBON 470K 5%	1/4W
Q419	8-729-245-83	TRANSISTOR 2SC2458		R374	1-247-871-00	CARBON 47K 5%	1/6W
Q420	8-729-245-83	TRANSISTOR 2SC2458		R377	1-247-845-00	CARBON 3.9K 5%	1/6W
Q421	8-729-245-83	TRANSISTOR 2SC2458		R378	1-247-855-00	CARBON 10K 5%	1/6W
Q422	8-729-245-83	TRANSISTOR 2SC2458		R379	1-246-469-00	CARBON 680 5%	1/4W
Q423	8-729-245-83	TRANSISTOR 2SC2458		R401	1-247-104-00	CARBON 75 5%	1/4W
Q424	8-729-204-83	TRANSISTOR 2SA1048-GR		R402	1-246-473-00	CARBON 1K 5%	1/4W
Q425	8-729-245-83	TRANSISTOR 2SC2458		R403	1-247-878-00	CARBON 91K 5%	1/6W
Q426	8-729-245-83	TRANSISTOR 2SC2458		R404	1-247-831-00	CARBON 1K 5%	1/6W
Q428	8-729-245-83	TRANSISTOR 2SC2458		R405	1-247-865-00	CARBON 27K 5%	1/6W
Q429	8-729-245-83	TRANSISTOR 2SC2458		R406	1-247-853-00	CARBON 8.2K 5%	1/6W
Q430	8-729-204-83	TRANSISTOR 2SA1048-GR		R407	1-247-831-00	CARBON 1K 5%	1/6W
Q431	8-729-245-83	TRANSISTOR 2SC2458		R408	1-247-104-00	CARBON 75 5%	1/4W
Q433	8-729-204-83	TRANSISTOR 2SA1048-GR		R409	1-246-473-00	CARBON 1K 5%	1/4W
Q434	8-729-245-83	TRANSISTOR 2SC2458		R410	1-247-878-00	CARBON 91K 5%	1/6W
Q435	8-729-245-83	TRANSISTOR 2SC2458		R411	1-247-831-00	CARBON 1K 5%	1/6W
Q442	8-729-245-83	TRANSISTOR 2SC2458		R412	1-247-865-00	CARBON 27K 5%	1/6W
Q443	8-729-245-83	TRANSISTOR 2SC2458		R413	1-247-853-00	CARBON 8.2K 5%	1/6W
Q444	8-729-245-83	TRANSISTOR 2SC2458		R414	1-247-831-00	CARBON 1K 5%	1/6W
Q445	8-729-204-83	TRANSISTOR 2SA1048-GR		R415	1-247-104-00	CARBON 75 5%	1/4W
Q446	8-729-204-83	TRANSISTOR 2SA1048-GR		R416	1-246-473-00	CARBON 1K 5%	1/4W
Q447	8-729-245-83	TRANSISTOR 2SC2458		R417	1-247-878-00	CARBON 91K 5%	1/6W
Q448	8-729-204-83	TRANSISTOR 2SA1048-GR		R418	1-247-831-00	CARBON 1K 5%	1/6W
Q449	8-729-245-83	TRANSISTOR 2SC2458		R419	1-247-865-00	CARBON 27K 5%	1/6W
Q450	8-729-204-83	TRANSISTOR 2SA1048-GR		R420	1-247-853-00	CARBON 8.2K 5%	1/6W
Q451	8-729-245-83	TRANSISTOR 2SC2458		R421	1-247-831-00	CARBON 1K 5%	1/6W
Q452	8-729-204-83	TRANSISTOR 2SA1048-GR		R422	1-246-515-00	CARBON 56K 5%	1/4W
Q453	8-729-245-83	TRANSISTOR 2SC2458		R423	1-247-885-00	CARBON 180K 5%	1/6W
Q454	8-729-204-83	TRANSISTOR 2SA1048-GR		R424	1-247-877-00	CARBON 82K 5%	1/6W
Q455	8-729-245-83	TRANSISTOR 2SC2458		R425	1-247-871-00	CARBON 47K 5%	1/6W
Q456	8-729-245-83	TRANSISTOR 2SC2458		R426	1-247-851-00	CARBON 6.8K 5%	1/6W
Q457	8-729-204-83	TRANSISTOR 2SA1048-GR		R427	1-247-847-00	CARBON 4.7K 5%	1/6W
RESISTOR				R428	1-246-515-00	CARBON 56K 5%	1/4W
R351	1-247-855-00	CARBON 10K 5%	1/6W	R429	1-247-885-00	CARBON 180K 5%	1/6W
R352	1-247-815-00	CARBON 220 5%	1/6W	R430	1-247-877-00	CARBON 82K 5%	1/6W
R353	1-247-855-00	CARBON 10K 5%	1/6W	R431	1-247-871-00	CARBON 47K 5%	1/6W
R354	1-247-815-00	CARBON 220 5%	1/6W	R432	1-247-851-00	CARBON 6.8K 5%	1/6W
R355	1-247-807-00	CARBON 100 5%	1/6W	R433	1-247-847-00	CARBON 4.7K 5%	1/6W
R356	1-246-469-00	CARBON 680 5%	1/4W	R434	1-247-807-00	CARBON 100 5%	1/6W
R357	1-246-469-00	CARBON 680 5%	1/4W	R435	1-247-879-00	CARBON 100K 5%	1/6W
R358	1-247-827-00	CARBON 680 5%	1/6W	R436	1-247-103-00	CARBON 68 5%	1/4W
R359	1-247-827-00	CARBON 680 5%	1/6W	R437	1-246-473-00	CARBON 1K 5%	1/4W

For Service Manuals Contact
MAURITRON TECHNICAL SERVICES
 8 Cherry Tree Rd, Chinnor
 Oxon OX9 4QY
 Tel:- 01844-351694 Fax:- 01844-352554
 Email:- enquiries@mauritron.co.uk

Q

Ref.No	Part No.	Description	Remark	Ref.No	Part No.	Description	Remark
R438	1-247-839-00	CARBON	2.2K 5% 1/6W	R495	1-247-863-00	CARBON	22K 5% 1/6W
R439	1-246-497-00	CARBON	10K 5% 1/4W	R496	1-247-871-00	CARBON	47K 5% 1/6W
R440	1-247-878-00	CARBON	91K 5% 1/6W	R497	1-247-855-00	CARBON	10K 5% 1/6W
R442	1-247-865-00	CARBON	27K 5% 1/6W	R499	1-247-819-00	CARBON	330 5% 1/6W
R443	1-247-853-00	CARBON	8.2K 5% 1/6W	R1401	1-247-839-00	CARBON	2.2K 5% 1/6W
R444	1-247-103-00	CARBON	68 5% 1/4W	R1402	1-247-831-00	CARBON	1K 5% 1/6W
R445	1-246-473-00	CARBON	1K 5% 1/4W	R1403	1-247-861-00	CARBON	18K 5% 1/6W
R446	1-247-839-00	CARBON	2.2K 5% 1/6W	R1404	1-247-845-00	CARBON	3.9K 5% 1/6W
R447	1-246-497-00	CARBON	10K 5% 1/4W	R1405	1-247-855-00	CARBON	10K 5% 1/6W
R448	1-247-878-00	CARBON	91K 5% 1/6W	R1406	1-247-843-00	CARBON	3.3K 5% 1/6W
R450	1-247-865-00	CARBON	27K 5% 1/6W	R1413	1-246-487-00	CARBON	3.9K 5% 1/4W
R451	1-247-853-00	CARBON	8.2K 5% 1/6W	R1414	1-246-465-00	CARBON	470 5% 1/4W
R452	1-247-103-00	CARBON	68 5% 1/4W	R1415	1-246-491-00	CARBON	5.6K 5% 1/4W
R453	1-246-473-00	CARBON	1K 5% 1/4W	R1417	1-247-823-00	CARBON	470 5% 1/6W
R454	1-247-839-00	CARBON	2.2K 5% 1/6W	R1419	1-247-835-00	CARBON	1.5K 5% 1/6W
R455	1-246-497-00	CARBON	10K 5% 1/4W	R1420	1-247-847-00	CARBON	4.7K 5% 1/6W
R456	1-247-878-00	CARBON	91K 5% 1/6W	R1421	1-247-831-00	CARBON	1K 5% 1/6W
R458	1-247-865-00	CARBON	27K 5% 1/6W	R1423	1-247-827-00	CARBON	680 5% 1/6W
R459	1-247-853-00	CARBON	8.2K 5% 1/6W	R1432	1-247-855-00	CARBON	10K 5% 1/6W
R460	1-247-107-00	CARBON	100 5% 1/4W	R1433	1-247-843-00	CARBON	3.3K 5% 1/6W
R461	1-247-839-00	CARBON	2.2K 5% 1/6W	R1434	1-247-848-00	CARBON	5.1K 5% 1/6W
R462	1-247-831-00	CARBON	1K 5% 1/6W	R1435	1-247-833-00	CARBON	1.2K 5% 1/6W
R463	1-247-845-00	CARBON	3.9K 5% 1/6W	R1436	1-247-859-00	CARBON	15K 5% 1/6W
R465	1-247-835-00	CARBON	1.5K 5% 1/6W	R1437	1-247-855-00	CARBON	10K 5% 1/6W
R466	1-247-819-00	CARBON	330 5% 1/6W	R1438	1-247-849-00	CARBON	5.6K 5% 1/6W
R467	1-247-829-00	CARBON	820 5% 1/6W	R1439	1-247-847-00	CARBON	4.7K 5% 1/6W
R468	1-247-835-00	CARBON	1.5K 5% 1/6W	R1441	1-247-863-00	CARBON	22K 5% 1/6W
R469	1-247-819-00	CARBON	330 5% 1/6W	R1442	1-247-901-00	CARBON	820K 5% 1/6W
R470	1-247-829-00	CARBON	820 5% 1/6W	R1443	1-247-901-00	CARBON	820K 5% 1/6W
R471	1-247-835-00	CARBON	1.5K 5% 1/6W	R1444	1-247-901-00	CARBON	820K 5% 1/6W
R472	1-247-819-00	CARBON	330 5% 1/6W	R1445	1-247-867-00	CARBON	33K 5% 1/6W
R473	1-247-829-00	CARBON	820 5% 1/6W	R1446	1-247-867-00	CARBON	33K 5% 1/6W
R474	1-247-847-00	CARBON	4.7K 5% 1/6W	R1447	1-246-527-00	CARBON	180K 5% 1/4W
R475	1-247-853-00	CARBON	8.2K 5% 1/6W	R1448	1-247-849-00	CARBON	5.6K 5% 1/6W
R476	1-247-831-00	CARBON	1K 5% 1/6W	R1449	1-247-839-00	CARBON	2.2K 5% 1/6W
R477	1-247-847-00	CARBON	4.7K 5% 1/6W	R1451	1-247-831-00	CARBON	1K 5% 1/6W
R478	1-247-847-00	CARBON	4.7K 5% 1/6W	R1452	1-247-843-00	CARBON	3.3K 5% 1/6W
R479	1-247-847-00	CARBON	4.7K 5% 1/6W	R1453	1-247-831-00	CARBON	1K 5% 1/6W
R480	1-247-103-00	CARBON	68 5% 1/4W	R1454	1-247-843-00	CARBON	3.3K 5% 1/6W
R481	1-246-481-00	CARBON	2.2K 5% 1/4W	R1455	1-247-839-00	CARBON	2.2K 5% 1/6W
R482	1-247-839-00	CARBON	2.2K 5% 1/6W	R1456	1-247-823-00	CARBON	470 5% 1/6W
R483	1-247-807-00	CARBON	100 5% 1/6W	R1457	1-247-839-00	CARBON	2.2K 5% 1/6W
R484	1-247-855-00	CARBON	10K 5% 1/6W	R1458	1-247-799-00	CARBON	47 5% 1/6W
R485	1-247-878-00	CARBON	91K 5% 1/6W	R1459	1-247-825-00	CARBON	560 5% 1/6W
R486	1-247-865-00	CARBON	27K 5% 1/6W	R1460	1-247-791-00	CARBON	22 5% 1/6W
R487	1-247-853-00	CARBON	8.2K 5% 1/6W	R1461	1-247-839-00	CARBON	2.2K 5% 1/6W
R488	1-246-457-00	CARBON	220 5% 1/4W	R1462	1-247-823-00	CARBON	470 5% 1/6W
R489	1-246-489-00	CARBON	4.7K 5% 1/4W	R1463	1-247-839-00	CARBON	2.2K 5% 1/6W
R490	1-247-835-00	CARBON	1.5K 5% 1/6W	R1464	1-247-799-00	CARBON	47 5% 1/6W
R491	1-247-839-00	CARBON	2.2K 5% 1/6W	R1465	1-247-825-00	CARBON	560 5% 1/6W
R492	1-247-829-00	CARBON	820 5% 1/6W	R1466	1-247-791-00	CARBON	22 5% 1/6W
R493	1-247-819-00	CARBON	330 5% 1/6W	R1467	1-247-839-00	CARBON	2.2K 5% 1/6W
R494	1-247-847-00	CARBON	4.7K 5% 1/6W	R1468	1-247-823-00	CARBON	470 5% 1/6W



Ref.No	Part No.	Description	Remark	Ref.No	Part No.	Description	Remark
R1469	1-247-839-00	CARBON	2.2K 5% 1/6W	C707	1-123-356-00	ELECT	10MF 20% 25V
R1470	1-247-799-00	CARBON	47 5% 1/6W	C708	1-121-759-00	ELECT	4.7MF 250V
R1471	1-247-825-00	CARBON	560 5% 1/6W	C709	1-102-038-00	CERAMIC	0.001MF 500V
R1472	1-247-791-00	CARBON	22 5% 1/6W	C710	1-108-433-00	MYLAR	0.1MF 10% 200V
R1473	1-247-853-00	CARBON	8.2K 5% 1/6W	C711	1-123-356-00	ELECT	10MF 20% 50V
R1474	1-247-851-00	CARBON	6.8K 5% 1/6W	C712	1-129-737-00	FILM	0.047MF 20% 630V
R1475	1-247-855-00	CARBON	10K 5% 1/6W	C713	1-102-249-00	CERAMIC	680PF 20% 2KV
R1476	1-247-815-00	CARBON	220 5% 1/6W	C714	1-108-595-00	MYLAR	0.047MF 5% 50V
R1477	1-247-815-00	CARBON	220 5% 1/6W	<u>DIODE</u>			
R1478	1-247-815-00	CARBON	220 5% 1/6W	D701	8-719-300-76	DIODE RH1A	
R1479	1-247-847-00	CARBON	4.7K 5% 1/6W	D702	8-719-300-76	DIODE RH1A	
R1480	1-247-847-00	CARBON	4.7K 5% 1/6W	D703	8-719-300-76	DIODE RH1A	
R1481	1-247-831-00	CARBON	1K 5% 1/6W	<u>COIL</u>			
R1482	1-247-855-00	CARBON	10K 5% 1/6W	L701	1-408-418-00	MICRO INDUCTOR	56UH
R1483	1-247-855-00	CARBON	10K 5% 1/6W	L702	1-408-418-00	MICRO INDUCTOR	56UH
R1484	1-246-497-00	CARBON	10K 5% 1/4W	L703	1-408-418-00	MICRO INDUCTOR	56UH
R1485	1-246-457-00	CARBON	220 5% 1/4W	L704	1-408-417-00	MICRO INDUCTOR	47UH
R1486	1-246-497-00	CARBON	10K 5% 1/4W	L705	1-407-780-00	COIL, SPOOK CHOKE	
R1487	1-246-457-00	CARBON	220 5% 1/4W	L706	1-408-417-00	MICRO INDUCTOR	47UH
R1488	1-246-497-00	CARBON	10K 5% 1/4W	<u>NEON LAMP</u>			
R1489	1-246-457-00	CARBON	220 5% 1/4W	NL701	1-519-108-XX	LAMP, NEON ASSY	
R1490	1-246-497-00	CARBON	10K 5% 1/4W	<u>TRANSISTOR</u>			
R1492	1-246-457-00	CARBON	220 5% 1/4W	Q701	8-729-245-83	TRANSISTOR	2SC2458
<u>REGULATOR</u>				Q702	8-729-326-11	TRANSISTOR	2SC2611
REG401	8-759-171-05	IC UPC7805H		Q703	8-729-245-83	TRANSISTOR	2SC2458
REG402	8-759-700-60	IC UPC7812H		Q704	8-729-326-11	TRANSISTOR	2SC2611
<u>VARIABLE RESISTOR</u>				Q705	8-729-245-83	TRANSISTOR	2SC2458
RV401	1-226-853-00	RES, ADJ, CARBON	47K	Q706	8-729-326-11	TRANSISTOR	2SC2611
RV402	1-226-852-00	RES, ADJ, CARBON	22K	* 4-347-706-00 HEAT SINK (TR), Q702, Q704, Q706			
RV403	1-226-852-00	RES, ADJ, CARBON	22K	<u>RESISTOR</u>			
RV404	1-226-852-00	RES, ADJ, CARBON	22K	R707	1-247-823-00	CARBON	470 5% 1/6W
RV405	1-226-852-00	RES, ADJ, CARBON	22K	R708	1-247-793-00	CARBON	27 5% 1/6W
<u>SWITCH</u>				R709	1-247-838-00	CARBON	2K 5% 1/6W
S401	1-553-725-00	SWITCH, SLIDE		R710	1-247-815-00	CARBON	220 5% 1/6W
S402	1-553-725-00	SWITCH, SLIDE		R711	1-247-791-00	CARBON	22 5% 1/6W
S403	1-553-725-00	SWITCH, SLIDE		R712	1-206-749-00	METAL OXIDE	10K 5% 3W F
*****				R713	1-247-823-00	CARBON	470 5% 1/6W
*A-1330-507-A	C1 BOARD, COMPLETE			R714	1-247-793-00	CARBON	27 5% 1/6W
	*****			R715	1-247-838-00	CARBON	2K 5% 1/6W
1-526-616-00	SOCKET, CRT			R716	1-247-815-00	CARBON	220 5% 1/6W
<u>CAPACITOR</u>				R717	1-247-791-00	CARBON	22 5% 1/6W
C701	1-123-356-00	ELECT	10MF 20% 25V	R718	1-206-749-00	METAL OXIDE	10K 5% 3W F
C702	1-102-002-00	CERAMIC	680PF 10% 500V	R719	1-247-823-00	CARBON	470 5% 1/6W
C703	1-123-356-00	ELECT	10MF 20% 25V	R720	1-247-793-00	CARBON	27 5% 1/6W
C704	1-102-002-00	CERAMIC	680PF 10% 500V	R721	1-247-838-00	CARBON	2K 5% 1/6W
C705	1-123-356-00	ELECT	10MF 20% 25V	R722	1-247-815-00	CARBON	220 5% 1/6W
C706	1-102-002-00	CERAMIC	680PF 10% 500V	R723	1-247-791-00	CARBON	22 5% 1/6W

For Service Manuals Contact
MAURITRON TECHNICAL SERVICES
 8 Cherry Tree Rd, Chinnor
 Oxon OX9 4QY
 Tel: 01844-351694 Fax: 01844-352554
 Email: enquiries@mauritron.co.uk

PVM-2010QM

C1 **C2** **D**

Ref.No	Part No.	Description	Remark
R724	1-206-749-00	METAL OXIDE 10K 5% 3W	F
R725	1-202-824-00	SOLID 3.3K	1/2W
R726	1-202-824-00	SOLID 3.3K	1/2W
R727	1-202-824-00	SOLID 3.3K	1/2W
R728	1-202-549-00	SOLID 100 10%	1/2W
R729	1-202-837-00	SOLID 82K	1/2W
R730	1-202-846-00	SOLID 470K	1/2W
R731	1-202-814-51	SOLID 33K	1/2W
R732	1-202-815-51	SOLID 47K	1/2W
R733	1-202-846-00	SOLID 470K	1/2W
R734	1-202-719-00	SOLID 1M 10%	1/2W
R735	1-202-842-51	SOLID 220K	1/2W
R736	1-247-795-00	CARBON 33 5%	1/6W
R737	1-246-525-00	CARBON 150K 5%	1/4W
R738	1-247-795-00	CARBON 33 5%	1/6W
R739	1-202-844-00	SOLID 330K	1/2W
<u>VARIABLE RESISTOR</u>			
RV713	1-226-114-00	RES, ADJ, METAL GLAZE 2.2M	
RV714	1-226-063-00	RES, ADJ, CARBON 2.2M	
<u>SPARK GAP</u>			
SG701	1-519-063-XX	DISCHARGING GAP	
SG702	1-519-063-XX	DISCHARGING GAP	
SG703	1-519-063-XX	DISCHARGING GAP	
SG704	1-519-063-XX	DISCHARGING GAP	
SG705	1-519-063-XX	DISCHARGING GAP	

▲:1-612-246-11	C2 BOARD	*****	
▲:1-560-278-00	PLUG, CONNECTOR 8P		
<u>RESISTOR</u>			
R701	1-247-839-00	CARBON 2.2K 5%	1/6W
R702	1-247-823-00	CARBON 470 5%	1/6W
R703	1-247-839-00	CARBON 2.2K 5%	1/6W
R704	1-247-823-00	CARBON 470 5%	1/6W
R705	1-247-839-00	CARBON 2.2K 5%	1/6W
R706	1-247-823-00	CARBON 470 5%	1/6W
<u>VARIABLE RESISTOR</u>			
RV701	1-226-819-00	RES, ADJ, CARBON 1K	
RV702	1-226-819-00	RES, ADJ, CARBON 1K	
RV703	1-226-921-00	RES, ADJ, CARBON 4.7K	
RV704	1-226-921-00	RES, ADJ, CARBON 4.7K	
RV705	1-226-819-00	RES, ADJ, CARBON 1K	
RV706	1-226-819-00	RES, ADJ, CARBON 1K	
RV707	1-226-921-00	RES, ADJ, CARBON 4.7K	
RV708	1-226-921-00	RES, ADJ, CARBON 4.7K	
RV709	1-226-819-00	RES, ADJ, CARBON 1K	
RV710	1-226-819-00	RES, ADJ, CARBON 1K	

Ref.No	Part No.	Description	Remark
RV711	1-226-921-00	RES, ADJ, CARBON 4.7K	
RV712	1-226-921-00	RES, ADJ, CARBON 4.7K	
<u>SWITCH</u>			
S701	1-516-503-00	SLIDE SWITCH	

▲:A-1345-455-A	D BOARD, COMPLETE	*****	
3-703-137-00	SCREW, TAPPING		
4-363-414-00	SPACER, MICA		
▲:4-367-226-00	HOLDER, H OUT		
<u>CAPACITOR</u>			
C501	1-123-381-00	ELECT 2.2MF	20% 50V
C502	1-123-369-00	ELECT 4.7MF	20% 50V
C503	1-108-555-00	MYLAR 0.001MF	5% 50V
C504	1-108-559-00	MYLAR 0.0015MF	5% 50V
C505	1-102-115-00	CERAMIC 560PF	10% 50V
C506	1-102-529-00	CERAMIC 100PF	5% 50V
C507	1-108-384-00	MYLAR 0.039MF	10% 100V
C508	1-123-380-00	ELECT 1MF	20% 50V
C509	1-108-377-00	MYLAR 0.01MF	10% 100V
C510	1-123-382-00	ELECT 3.3MF	20% 50V
C511	1-123-379-00	ELECT 0.47MF	20% 50V
C513	1-130-640-00	FILM 0.47MF	5% 50V
C514	1-131-369-00	TANTALUM 4.7MF	20% 16V
C515	1-123-356-00	ELECT 10MF	20% 25V
C516	1-106-204-00	MYLAR 0.022MF	10% 100V
C517	1-108-595-00	MYLAR 0.047MF	5% 50V
C518	1-123-321-00	ELECT 220MF	20% 16V
C519	1-102-989-00	CERAMIC 68PF	5% 500V
C520	1-106-204-00	MYLAR 0.022MF	10% 100V
C521	1-108-377-00	MYLAR 0.01MF	10% 100V
C523	1-106-204-00	MYLAR 0.022MF	10% 100V
C524	1-106-180-00	MYLAR 0.0022MF	5% 100V
C525	1-129-794-00	FILM 0.0033MF	5% 100V
C526	1-123-381-00	ELECT 2.2MF	20% 50V
C527	1-123-381-00	ELECT 2.2MF	20% 50V
C528	1-101-006-00	CERAMIC 0.047MF	50V
C531	1-123-381-00	ELECT 2.2MF	20% 50V
C533	1-123-335-00	ELECT 330MF	20% 25V
C534	1-123-379-00	ELECT 0.47MF	20% 50V
C535	1-108-429-00	MYLAR 0.047MF	10% 200V
C536	1-101-810-00	CERAMIC 100PF	5% 500V
C537	1-108-365-00	MYLAR 0.001MF	10% 100V
C538	1-161-961-00	CERAMIC 0.0022MF	10% 3KV
C539	1-108-387-00	MYLAR 0.068MF	10% 100V
C540	1-136-139-00	FILM 0.012MF	3% 2KV
C541	1-129-745-00	FILM 0.033MF	10% 400V
C542	1-102-223-00	CERAMIC 0.0047MF	10% 2KV
C543	1-123-254-00	ELECT 10MF	250V

Ref.No	Part No.	Description	Remark	Ref.No	Part No.	Description	Remark	
C544	1-102-038-00	CERAMIC	0.001MF	500V	D510	8-719-928-08	DIODE ERD28-08	
C545	1-123-333-00	ELECT	100MF	20%	25V	D511	8-719-903-09	DIODE V30N
C546	1-102-038-00	CERAMIC	0.001MF	500V	D512	8-719-901-93	DIODE V19E	
C547	1-136-110-00	FILM	0.91MF	5%	200V	D513	8-719-901-93	DIODE V19E
C548	1-108-421-00	MYLAR	0.01MF	10%	200V	D514	8-719-911-55	DIODE U05G
C549	1-136-113-00	FILM	2MF	5%	200V	D515	8-719-901-93	DIODE V19E
C550	1-129-943-00	FILM	0.68MF	10%	400V	D516	8-719-911-19	DIODE 1SS119
C551	1-123-332-00	ELECT	47MF	20%	16V	D517	8-719-911-55	DIODE U05G
C552	1-123-332-00	ELECT	47MF	20%	16V	D518	8-719-911-55	DIODE U05G
C553	1-108-377-00	MYLAR	0.01MF	10%	100V	D519	8-719-911-55	DIODE U05G
C554	1-123-333-00	ELECT	100MF	20%	25V	D520	8-719-911-19	DIODE 1SS119
C555	1-102-228-00	CERAMIC	470PF	10%	500V	D521	8-719-911-19	DIODE 1SS119
C556	1-123-360-00	ELECT	100MF	20%	50V	D524	8-719-911-19	DIODE 1SS119
C557	1-106-204-00	MYLAR	0.022MF	10%	100V	D525	8-719-102-82	DIODE 7.5E-N3
C559	1-123-330-00	ELECT	22MF	20%	16V			
C560	1-108-383-00	MYLAR	0.033MF	10%	100V			
C562	1-123-332-00	ELECT	47MF	20%	16V			
C563	1-123-332-00	ELECT	47MF	20%	16V			
C566	1-108-555-00	MYLAR	0.001MF	5%	50V			
C567	1-101-006-00	CERAMIC	0.047MF		50V			
C568	1-123-321-00	ELECT	220MF	20%	16V			
C569	1-108-377-00	MYLAR	0.01MF	10%	100V			
C570	1-108-377-00	MYLAR	0.01MF	10%	100V			
C571	1-101-006-00	CERAMIC	0.047MF		50V			
C572	1-101-006-00	CERAMIC	0.047MF		50V			
C573	1-123-380-00	ELECT	1MF	20%	50V			
C575	1-123-024-00	ELECT	33MF		160V			
C801	1-123-369-00	ELECT	4.7MF	20%	50V			
C802	1-123-369-00	ELECT	4.7MF	20%	50V			
C803	1-108-591-00	MYLAR	0.033MF	5%	50V			
C804	1-124-192-00	ELECT	4.7MF	20%	50V			
C805	1-108-372-00	MYLAR	0.0039MF	10%	100V			
C806	1-123-380-00	ELECT	1MF	20%	50V			
C807	1-123-332-00	ELECT	47MF	20%	16V			
C808	1-123-228-00	ELECT	1MF	20%	50V			
C810	1-123-336-00	ELECT	470MF	20%	25V			
C813	1-108-435-00	MYLAR	0.15MF	10%	200V			
<u>CONNECTOR</u>								
D1	▲:1-560-126-00	PLUG, CONNECTOR (2.5MM)	6P					
D2	▲:1-560-126-00	PLUG, CONNECTOR (2.5MM)	6P					
D3	▲:1-560-126-00	PLUG, CONNECTOR (2.5MM)	6P					
D4	▲:1-560-126-00	PLUG, CONNECTOR (2.5MM)	6P					
D5	▲:1-508-767-00	5P PLUG						
D6	▲:1-564-038-00	CONNECTOR PLUG, DY (MINI)	6P					
D7	▲:1-560-290-00	PLUG, CONNECTOR (2.5MM PITCH)						
D8	▲:1-560-124-00	PLUG, CONNECTOR (2.5MM)	4P					
<u>DIODE</u>								
D501	8-719-102-60	DIODE RD3.9E-N2						
D502	8-719-911-19	DIODE 1SS119						
D504	8-719-911-19	DIODE 1SS119						
D509	8-719-305-15	DIODE GH3F						
D510	8-719-928-08	DIODE ERD28-08						
D511	8-719-903-09	DIODE V30N						
D512	8-719-901-93	DIODE V19E						
D513	8-719-901-93	DIODE V19E						
D514	8-719-911-55	DIODE U05G						
D515	8-719-901-93	DIODE V19E						
D516	8-719-911-19	DIODE 1SS119						
D517	8-719-911-55	DIODE U05G						
D518	8-719-911-55	DIODE U05G						
D519	8-719-911-55	DIODE U05G						
D520	8-719-911-19	DIODE 1SS119						
D521	8-719-911-19	DIODE 1SS119						
D524	8-719-911-19	DIODE 1SS119						
D525	8-719-102-82	DIODE 7.5E-N3						
<u>IC</u>								
IC501	8-759-100-60	IC UPC1377C						
IC502	8-759-979-16	IC CX7916						
IC504	8-759-145-58	IC UPC4558C						
IC505	8-759-113-78	IC UPC1378H-L						
IC801	8-759-905-39	IC TDA1082						
<u>COIL</u>								
L501	1-408-242-00	MICRO INDUCTOR 10MMH						
L502	1-407-780-00	COIL, SPOOK CHOKE						
L503	1-407-365-00	COIL, CHOKE						
L504	1-459-390-00	COIL (WITH CORE)						
L505	1-421-368-00	COIL, VAR FERRITE (HLC)						
L506	1-408-239-00	MICRO INDUCTOR 4.7MMH						
L507	1-459-104-00	COIL, DUST CORE						
L508	1-408-242-00	MICRO INDUCTOR 10MMH						
L509	1-421-329-00	COIL, CHOKE						
L801	1-459-075-00	COIL, DYNAMIC CONVERSION CHOKE						
L802	1-459-338-00	COIL, VAR, FERRITE (PAC)						
<u>TRANSISTOR</u>								
Q501	8-729-384-48	TRANSISTOR 2SA844						
Q502	8-729-245-83	TRANSISTOR 2SC2458						
Q503	8-729-900-36	TRANSISTOR DTC124ES						
Q504	8-729-900-36	TRANSISTOR DTC124ES						
Q505	8-729-900-36	TRANSISTOR DTC124ES						
Q506	8-729-900-36	TRANSISTOR DTC124ES						
Q507	8-729-900-63	TRANSISTOR DTA124ES						
Q508	8-729-168-82	TRANSISTOR 2SC2688						
Q509	8-729-800-87	TRANSISTOR 2SD1398-CA						
Q510	8-729-245-83	TRANSISTOR 2SC2458						
Q512	8-729-177-43	TRANSISTOR 2SD774						
Q801	8-729-313-42	TRANSISTOR 2SD1134						
Q802	8-729-245-83	TRANSISTOR 2SC2458						
Q805	8-729-245-83	TRANSISTOR 2SC2458						
Q850	8-729-384-48	TRANSISTOR 2SA844						
<u>RESISTOR</u>								
R501	1-247-835-00	CARBON	1.5K	5%	1/6W			

For Service Manuals Contact
 MAURITRON TECHNICAL SERVICES
 8 Cherry Tree Rd, Chinnor
 Oxon OX9 4QY
 Tel: 01844-351694 Fax: 01844-352554
 Email: enquiries@mauritron.co.uk

D

Ref.No	Part No.	Description	Remark	Ref.No	Part No.	Description	Remark
R502	1-247-823-00	CARBON	470 5% 1/6W	R565	1-212-371-00	METAL OXIDE	8.2 5% 1W F
R503	1-247-823-00	CARBON	470 5% 1/6W	R566	1-247-889-00	CARBON	270K 5% 1/6W
R504	1-247-831-00	CARBON	1K 5% 1/6W	R567	1-247-903-00	CARBON	1M 5% 1/6W
R505	1-247-855-00	CARBON	10K 5% 1/6W	R568	1-213-137-00	METAL OXIDE	330 5% 1W F
R506	1-247-839-00	CARBON	2.2K 5% 1/6W	R569	1-213-137-00	METAL OXIDE	330 5% 1W F
R507	1-247-833-00	CARBON	1.2K 5% 1/6W	R570	1-247-230-00	CARBON	390 5% 1/2W
R508	1-247-835-00	CARBON	1.5K 5% 1/6W	R571	1-247-863-00	CARBON	22K 5% 1/6W
R509	1-247-839-00	CARBON	2.2K 5% 1/6W	R572	1-247-865-00	CARBON	27K 5% 1/6W
R510	1-247-865-00	CARBON	27K 5% 1/6W	R573	1-247-843-00	CARBON	3.3K 5% 1/6W
R511	1-215-459-00	METAL	39K 1% 1/6W	R574	1-247-871-00	CARBON	47K 5% 1/6W
R512	1-247-877-00	CARBON	82K 5% 1/6W	R575	1-247-879-00	CARBON	100K 5% 1/6W
R513	1-247-855-00	CARBON	10K 5% 1/6W	R577	1-247-855-00	CARBON	10K 5% 1/6W
R514	1-215-475-00	METAL	180K 1% 1/6W	R578	1-215-459-00	METAL	39K 1% 1/6W
R515	1-215-463-00	METAL	56K 1% 1/6W	R579	1-215-475-00	METAL	180K 1% 1/6W
R518	1-215-478-00	METAL	240K 1% 1/6W	R580	1-246-483-00	CARBON	2.7K 5% 1/4W
R519	1-215-463-00	METAL	56K 1% 1/6W	R581	1-246-483-00	CARBON	2.7K 5% 1/4W
R520	1-247-819-00	CARBON	330 5% 1/6W	R582	1-247-833-00	CARBON	1.2K 5% 1/6W
R521	1-247-827-00	CARBON	680 5% 1/6W	R583	1-247-831-00	CARBON	1K 5% 1/6W
R522	1-247-827-00	CARBON	680 5% 1/6W	R584	1-247-875-00	CARBON	68K 5% 1/6W
R523	1-247-823-00	CARBON	470 5% 1/6W	R585	1-247-873-00	CARBON	56K 5% 1/6W
R524	1-247-849-00	CARBON	5.6K 5% 1/6W	R586	1-215-493-00	METAL	1M 1% 1/6W
R525	1-247-835-00	CARBON	1.5K 5% 1/6W	R587	1-247-855-00	CARBON	10K 5% 1/6W
R526	1-247-851-00	CARBON	6.8K 5% 1/6W	R588	1-247-877-00	CARBON	82K 5% 1/6W
R527	1-247-857-00	CARBON	12K 5% 1/6W	R589	1-247-877-00	CARBON	82K 5% 1/6W
R528	1-247-847-00	CARBON	4.7K 5% 1/6W	R596	1-212-373-00	METAL OXIDE	12 5% 1W F
R529	1-215-471-00	METAL	120K 1% 1/6W	R597	1-215-373-31	METAL	10 1% 1/6W
R530	1-215-465-00	METAL	68K 1% 1/6W	R598	1-247-855-00	CARBON	10K 5% 1/6W
R531	1-247-835-00	CARBON	1.5K 5% 1/6W	R599	1-247-865-00	CARBON	27K 5% 1/6W
R532	1-246-992-00	CARBON	180 5% 1/8W F	R801	1-247-857-00	CARBON	12K 5% 1/6W
R533	1-247-851-00	CARBON	6.8K 5% 1/8W	R802	1-247-863-00	CARBON	22K 5% 1/6W
R534	1-247-835-00	CARBON	1.5K 5% 1/6W	R803	1-211-431-00	CARBON	150 5% 1/8W F
R535	1-215-456-00	METAL	30K 1% 1/6W	R805	1-247-815-00	CARBON	220 5% 1/6W
R536	1-247-857-00	CARBON	12K 5% 1/6W	R806	1-247-875-00	CARBON	68K 5% 1/6W
R537	1-247-879-00	CARBON	100K 5% 1/6W	R807	1-247-861-00	CARBON	18K 5% 1/6W
R538	1-247-847-00	CARBON	4.7K 5% 1/6W	R809	1-247-867-00	CARBON	33K 5% 1/6W
R540	1-247-859-00	CARBON	15K 5% 1/6W	R810	1-247-845-00	CARBON	3.9K 5% 1/6W
R548	1-247-813-00	CARBON	180 5% 1/6W	R811	1-247-867-00	CARBON	33K 5% 1/6W
R549	1-246-991-00	CARBON	150 5% 1/8W F	R812	1-247-863-00	CARBON	22K 5% 1/6W
R550	1-247-855-00	CARBON	10K 5% 1/6W	R813	1-247-845-00	CARBON	3.9K 5% 1/6W
R551	1-247-809-00	CARBON	120 5% 1/6W	R814	1-247-869-00	CARBON	39K 5% 1/6W
R552	1-247-855-00	CARBON	10K 5% 1/6W	R815	1-247-865-00	CARBON	27K 5% 1/6W
R553	1-205-642-00	CEMENTED	3.3K 10% 5W	R816	1-247-831-00	CARBON	1K 5% 1/6W
R554	1-247-837-00	CARBON	1.8K 5% 1/8W F	R817	1-247-831-00	CARBON	1K 5% 1/6W
R555	1-247-831-00	CARBON	1K 5% 1/6W	R818	1-247-891-00	CARBON	330K 5% 1/6W
R556	1-247-636-00	CARBON	0.47 5% 1/8W F	R825	1-212-363-00	METAL OXIDE	1.8 5% 1W F
R557	1-247-636-00	CARBON	0.47 5% 1/8W F	R827	1-247-859-00	CARBON	15K 5% 1/6W
R558	1-217-407-00	FUSIBLE	470 1/4W F	R840	1-247-855-00	CARBON	10K 5% 1/6W
R559	1-210-859-00	CARBON	1.2 5% 1/8W F	R841	1-244-883-00	CARBON	2.7K 5% 1/2W
R560	1-202-597-00	SOLID	10K 10% 1/2W	R845	1-247-885-00	CARBON	180K 5% 1/6W
R561	1-247-172-00	CARBON	51K 5% 1/4W	<u>VARIABLE RESISTOR</u>			
R562	1-247-172-00	CARBON	51K 5% 1/4W	RV501	1-228-577-00	RES, ADJ, CARBON 220	
R563	1-213-141-00	METAL OXIDE	680 5% 1W F	RV502	1-226-850-00	RES, ADJ, CARBON 4.7K	
R564	1-213-129-00	METAL OXIDE	68 5% 1W F				

Ref.No	Part No.	Description	Remark
RV503	1-226-851-00	RES, ADJ, CARBON 10K	
RV504	1-228-160-11	RES, ADJ, METAL GLAZE 5K	
RV505	1-222-344-00	RES, ADJ, CARBON 5K	
RV506	1-223-102-00	RES, ADJ, WIREWOUND 120	
RV507	1-226-854-00	RES, ADJ, CARBON 100K	
RV509	1-224-249-XX	RES, ADJ, METAL GLAZE 1K	
RV801	1-226-851-00	RES, ADJ, CARBON 10K	
RV802	1-226-847-00	RES, ADJ, CARBON 1K	
RV803	1-226-847-00	RES, ADJ, CARBON 1K	
<u>SPARK GAP</u>			
SG501	1-519-063-XX	DISCHARGING GAP	
<u>TRANSFORMER</u>			
T501	1-437-078-00	TRANSFORMER, HORIZONTAL DRIVE	
T503	1-421-520-00	TRANSFORMER, FERRITE (PHT)	
T801	1-421-245-11	TRANSFORMER, PZN CUSHION	

1-413-179-11	SWITCHING REGULATOR (TK-09)		*****
▲:1-611-903-11	TK-09GB BOARD		
2-430-308-01	INSULATOR (TK-03), TR		
▲:2-430-742-00	BRACKET-RIGHT (SR-12), L		
▲:2-430-743-00	BRACKET-LEFT (SR-12)		
2-430-773-01	+PSW 3X6		
▲:2-430-947-00	PLATE, GROUND		
2-434-060-01	+PSW 3X18		
3-671-893-00	CLAMP (LOW TYPE)		
▲:4-310-385-00	HOLDER, WIRE		
▲:4-323-833-00	HEAT SINK, PIN OUT		
<u>CAPACITOR</u>			
C601	▲.1-130-806-21	FILM	0.10MF 10% 400V
C602	▲.1-161-742-12	CERAMIC	2200PF 20% 400V F
C603	▲.1-161-742-12	CERAMIC	2200PF 20% 400V F
C604	▲.1-161-742-12	CERAMIC	2200PF 20% 400V F
C605	▲.1-125-268-11	ELECT	
C606	▲.1-124-023-51	ELECT	4.7MF 350V
C607	▲.1-124-023-41	ELECT	4.7MF 350V
C610	▲.1-161-963-11	CERAMIC	100PF 20% 2V
C611	▲.1-161-912-11	CERAMIC	560PF 10% 500V
C612	▲.1-161-912-11	CERAMIC	560PF 10% 500V
C613	▲.1-161-912-11	CERAMIC	560PF 10% 500V
C614	▲.1-161-912-11	CERAMIC	560PF 10% 500V
C615	▲.1-161-989-11	CERAMIC	2200PF 10% 500V
C616	▲.1-130-516-51	FILM	0.01MF 10% 50V
C617	▲.1-130-520-51	FILM	0.022MF 10% 50V
C618	▲.1-123-357-51	ELECT	22MF 20% 50V
C619	▲.1-130-528-51	FILM	0.1MF 10% 50V
C620	▲.1-123-575-51	ELECT	100MF 160V
C621	▲.1-123-349-51	ELECT	1000MF 20% 35V
C622	▲.1-123-324-51	ELECT	1000MF 20% 16V

Ref.No	Part No.	Description	Remark
C623	▲.1-123-575-51	ELECT	100MF 160V
C624	▲.1-123-333-51	ELECT	100MF 20% 25V
C625	▲.1-123-333-51	ELECT	100MF 20% 25V
C651	▲.1-130-528-51	FILM	0.1MF 10% 50V
C652	▲.1-130-528-51	FILM	0.1MF 10% 50V
C653	▲.1-124-265-11	ELECT	33MF 50V
C654	▲.1-130-027-51	FILM	0.0056MF 5% 50V
C655	▲.1-130-512-51	FILM	0.0047MF 10% 50V
C656	▲.1-130-528-51	FILM	0.1MF 10% 50V
C657	▲.1-123-330-51	ELECT	22MF 20% 25V
<u>CONNECTOR</u>			
CN651	▲.1-564-164-11	PIN, CONNECTOR 7P	
<u>DIODE</u>			
D601	▲.8-719-300-53	DIODE CTU-38S	
D602	▲.8-719-300-52	DIODE CTU-38R	
D603	▲.8-719-903-02	DIODE ESAC33-02C	
D604	▲.8-719-903-02	DIODE ESAC33-02C	
D605	▲.8-719-900-93	DIODE V09E	
D606	▲.8-719-911-19	DIODE 1SS119	
D607	▲.8-719-100-61	DIODE RD11E-B2	
D608	▲.8-719-100-34	DIODE RD5.6E-B1	
D609	▲.8-719-100-29	DIODE RD5.1E-B1	
D610	▲.8-719-100-29	DIODE RD5.1E-B1	
D611	▲.8-719-200-02	DIODE 10E2	
D612	▲.8-719-100-34	DIODE RD5.6E-B1	
D613	▲.8-719-100-34	DIODE RD5.6E-B1	
D651	▲.8-719-911-19	DIODE 1SS119	
D652	▲.8-719-911-19	DIODE 1SS119	
D653	▲.8-719-911-19	DIODE 1SS119	
D654	▲.8-719-100-34	DIODE RD5.6E-B1	
<u>IC</u>			
IC651	▲.8-759-906-22	IC MB3759PF	
<u>COIL</u>			
L601	▲.1-421-606-11	TRANSFORMER, LINE FILTER	
L602	▲.1-410-052-11	COIL, CHOKE (MAIN)	
L603	▲.1-410-053-11	COIL, CHOKE	
L604	▲.1-408-933-11	COIL, CHOKE	
L605	▲.1-408-933-11	COIL, CHOKE	
L606	▲.1-408-933-11	COIL, CHOKE	
<u>TRANSISTOR</u>			
Q601	▲.8-729-300-95	TRANSISTOR STR8124	
Q602	▲.8-729-102-03	TRANSISTOR 2SD1020	
Q603	▲.8-729-102-03	TRANSISTOR 2SD1020	
Q604	▲.8-729-178-54	TRANSISTOR 2SC2785	
Q605	▲.8-729-177-43	TRANSISTOR 2SD774	
Q651	▲.8-729-117-54	TRANSISTOR 2SA1175	
Q652	▲.8-729-178-54	TRANSISTOR 2SC2785	

For Service Manuals Contact
MAURITRON TECHNICAL SERVICES
 8 Cherry Tree Rd, Chinnor
 Oxon OX9 4QY
 Tel: 01844-351694 Fax: 01844-352554
 Email: enquiries@mauritron.co.uk

The components identified by shading and mark ▲ are critical for safety. Replace only with part number specified.

PVM-2010QM

TK-09

Ref.No	Part No.	Description	Remark
<u>RESISTOR</u>			
R601	△.1-244-921-11	CARBON 100K 5%	1/2W
R602	△.1-246-497-25	CARBON 10K 5%	1/4W
R603	△.1-212-946-51	FUSE 3.3	5% 1/2W
R604	△.1-246-449-25	CARBON 100	5% 1/4W
R605	△.1-244-921-11	CARBON 100K 5%	1/2W
R606	△.1-246-497-25	CARBON 10K 5%	1/4W
R607	△.1-212-946-51	FUSE 3.3	5% 1/2W
R608	△.1-246-449-25	CARBON 100	5% 1/4W
R609	△.1-244-873-11	CARBON 1K	5% 1/2W
R610	△.1-246-461-25	CARBON 330	5% 1/4W
R611	△.1-246-521-25	CARBON 100K 5%	1/4W
R612	△.1-246-497-25	CARBON 10K 5%	1/4W
R613	△.1-246-482-25	CARBON 2.4K 5%	1/4W
R615	△.1-213-151-61	METAL 4.7K	5% 1W
R616	△.1-246-453-25	CARBON 150	5% 1/4W
R617	△.1-246-417-25	CARBON 4.7	5% 1/4W
R618	△.1-217-465-21	FUSE 0.47	10% 1W
R619	△.1-217-465-21	FUSE 0.47	10% 1W
R620	△.1-246-418-25	CARBON 5.1	5% 1/4W
R651	△.1-247-855-41	CARBON 10K	5% 1/6W
R652	△.1-247-845-41	CARBON 3.9K	5% 1/6W
R653	△.1-247-862-41	CARBON 20K	5% 1/6W
R654	△.1-247-864-41	CARBON 24K	5% 1/6W
R655	△.1-247-836-41	CARBON 1.6K	5% 1/6W
R656	△.1-247-879-41	CARBON 100K	5% 1/6W
R657	△.1-247-835-41	CARBON 1.5K	5% 1/6W
R658	△.1-247-881-41	CARBON 120K	5% 1/6W
R659	△.1-247-854-41	CARBON 9.1K	5% 1/6W
R660	△.1-214-777-51	METAL 100K	1% 1/4W
R661	△.1-214-744-51	METAL 4.3K	1% 1/4W
R662	△.1-247-861-41	CARBON 18K	5% 1/6W
R663	△.1-247-852-41	CARBON 7.5K	5% 1/6W
R664	△.1-247-846-41	CARBON 4.3K	5% 1/6W
R665	△.1-247-849-41	CARBON 5.6K	5% 1/6W
R666	△.1-247-831-41	CARBON 1.0K	5% 1/6W
R667	△.1-247-837-41	CARBON 1.8K	5% 1/6W

<u>TRANSFORMER</u>			
T601	△.1-447-764-11	TRANSFORMER, CONVERTER	
T602	△.1-437-102-12	TRANSFORMER, DRIVE	
T603	△.1-421-460-11	TRANSFORMER, CURRENT	

<u>MISCELLANEOUS</u>			

△.1-228-482-00		RESISTOR ASSY, HIGH-VOLTAGE	
△.1-451-204-61		DEFLECTION YOKE (SY-108B)	

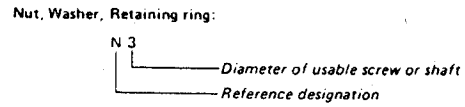
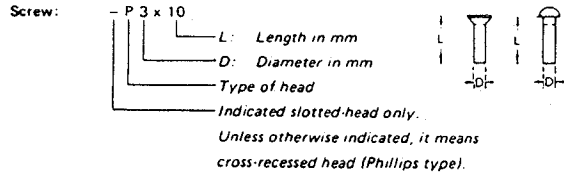
Ref.No	Part No.	Description	Remark
	1-452-032-00	MAGNET DISK; 10MM ϕ	
	1-452-094-00	MAGNET ROTATABLE DISK; 15MM ϕ	
	△.1-534-820-XX	POWER CORD	
L901	△.1-426-087-41	COIL, DEGAUSSING	
S901	△.1-552-503-00	SWITCH, PUSH	
SP901	1-503-109-00	SPEAKER	
T502	△.1-439-322-00	TRANSFORMER ASSY, FLYBACK	
V901	△.8-737-251-05	CRT A49JHT00X	

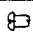


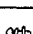
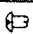


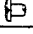
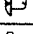
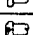
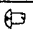

ACCESSORIES AND PACKING MATERIALS

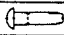
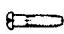
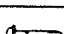
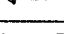

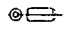






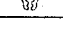
Part No.	Description	Remark
4-493-915-11	MANUAL, INSTRUCTION	
4-309-537-00	BAG, PROTECTION	
4-363-322-01	INDIVIDUAL CARTON	
4-370-943-01	CUSHION (UPPER) (ASSY)	
4-370-944-01	CUSHION (LOWER) (ASSY)	

The components identified by shading and mark △ are critical for safety. Replace only with part number specified.

HARDWARE NOMENCLATURE



Reference Designation	Shape	Description	Remarks
SCREWS			
P		pan-head screw	binding-head (B) screw for replacement
PWH		pan-head screw with washer face	binding-head (B) screw and flat washer for replacement
PS PSP		pan-head screw with spring washer	binding-head (B) screw and spring washer for replacement
PSW PSPW		pan-head screw with spring and flat washers	binding-head (B) screw and spring and flat washers for replacement
R		round-head screw	binding-head (B) screw for replacement
K		flat-countersunk-head screw	
RK		oval-countersunk-head screw	
B		binding-head screw	
T		truss-head screw	binding-head (B) screw for replacement
F		flat-fillister-head screw	
RF		fillister-head screw	
BV		brazier-head screw	

Reference Designation	Shape	Description	Remarks
SELF-TAPPING SCREWS			
TA		self-tapping screw	ex: TA, P 3 x 10
PTP		pan-head self-tapping screw	binding-head self-tapping (TA, B) screw for replacement
PTPWH		pan-head self-tapping screw with washer face	binding-head self-tapping (TA, B) screw and flat washer for replacement
PTTWH		pan-head thread-rolling screw with washer face	binding-head (B) screw and flat washer for replacement
SET SCREWS			
SC		set screw	
SC		hexagon-socket set screw	ex SC 2.6 x 4, hexagon socket
NUT			
N		nut	
WASHERS			
W		flat washer	
SW		spring washer	
LW		internal-tooth lock washer	ex LW3, internal
LW		external-tooth lock washer	ex LW3, external
RETAINING RINGS			
E		retaining ring	
G		grip-type retaining ring	

For Service Manuals Contact
MAURITRON TECHNICAL SERVICES
 8 Cherry Tree Rd, Chinnor
 Oxon OX9 4QY
 Tel:- 01844-351694 Fax:- 01844-352554
 Email:- enquiries@mauritron.co.uk

PVM-2010QM

SONY®
SERVICE MANUAL

AEP Model
UK Model

Chassis No. SCC-557A-A

No. 1

SUPPLEMENT

SUBJECT: The following part numbers in the printed wiring boards have been changed.

File this supplement with the service manual.

Board	Part No.
F	1-612-243-16
H	1-612-248-12
B	1-612-247-16
D	1-612-242-15
Q	1-612-244-13
C1	1-612-245-14
C2	1-612-246-12

For Service Manuals Contact
MAURITRON TECHNICAL SERVICES
8 Cherry Tree Rd, Chinnor
Oxon OX9 4QY
Tel:- 01844-351694 Fax:- 01844-352554
Email:- enquiries@mauritron.co.uk

TABLE OF CONTENTS

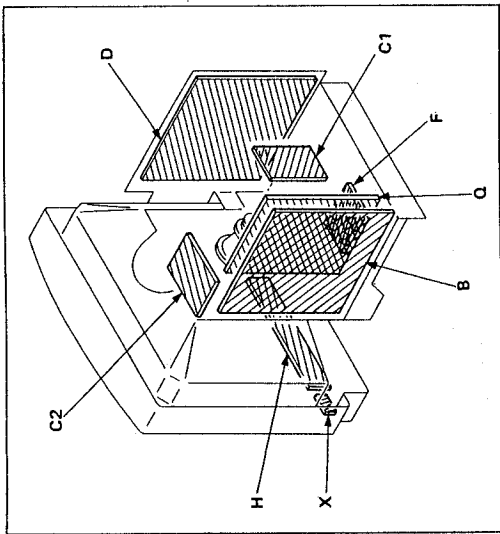
<u>Section</u>	<u>Title</u>	<u>Page</u>
5.	DIAGRAMS	
5-1.	Circuit Boards Location	3
5-2.	Block Diagram	3
5-3.	Semiconductors	6
5-4.	Schematic Diagrams	7
5-5.	Printed Wiring Boards	15
6.	EXPLODED VIEWS	
(1)	Cabinet Ass'y	28
(2)	Chassis Ass'y	29
(3)	Bezel Ass'y	30
7.	ELECTRICAL PARTS LIST	31



Supp.

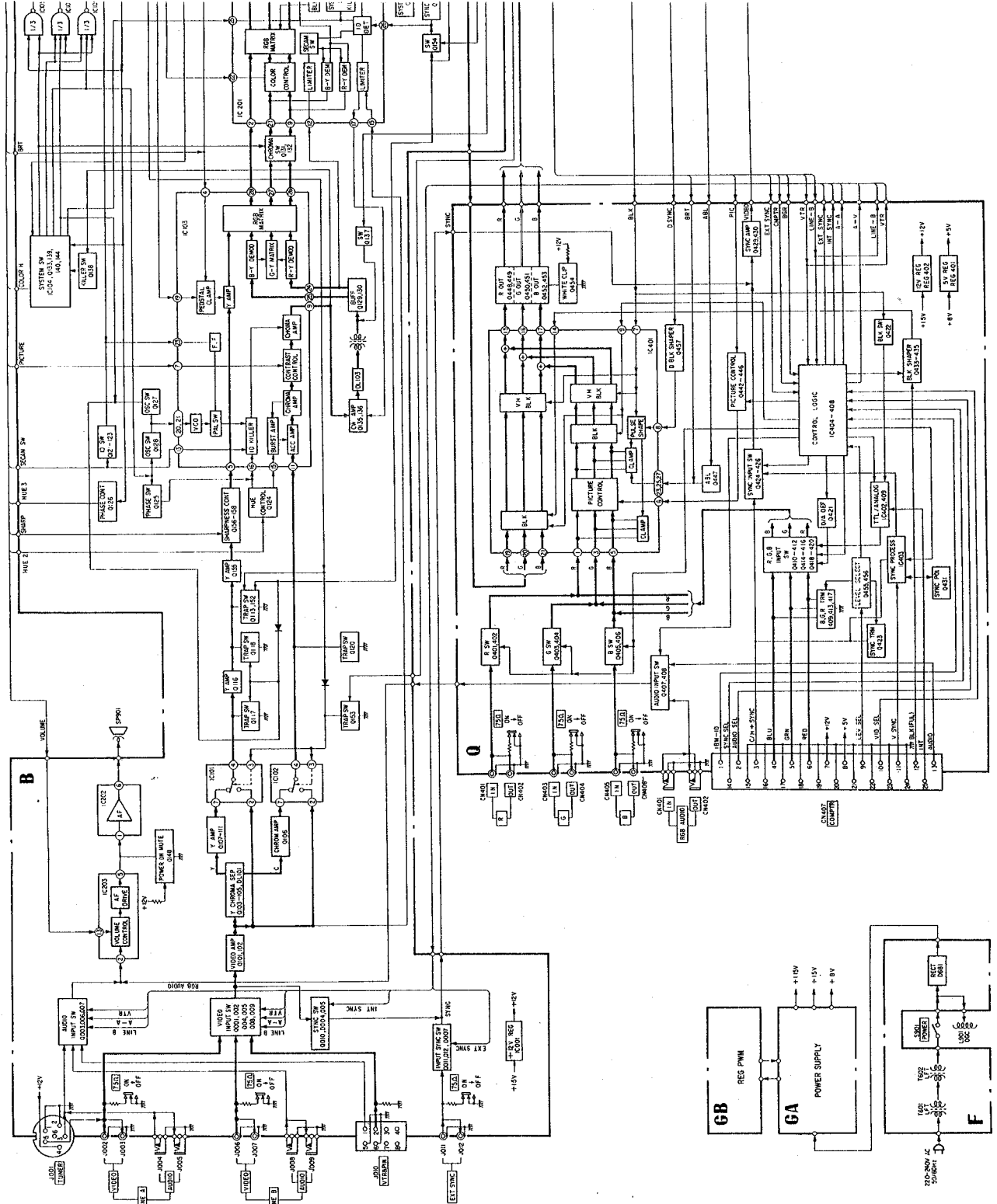
SECTION 5
DIAGRAMS

5-1. CIRCUIT BOARDS LOCATION



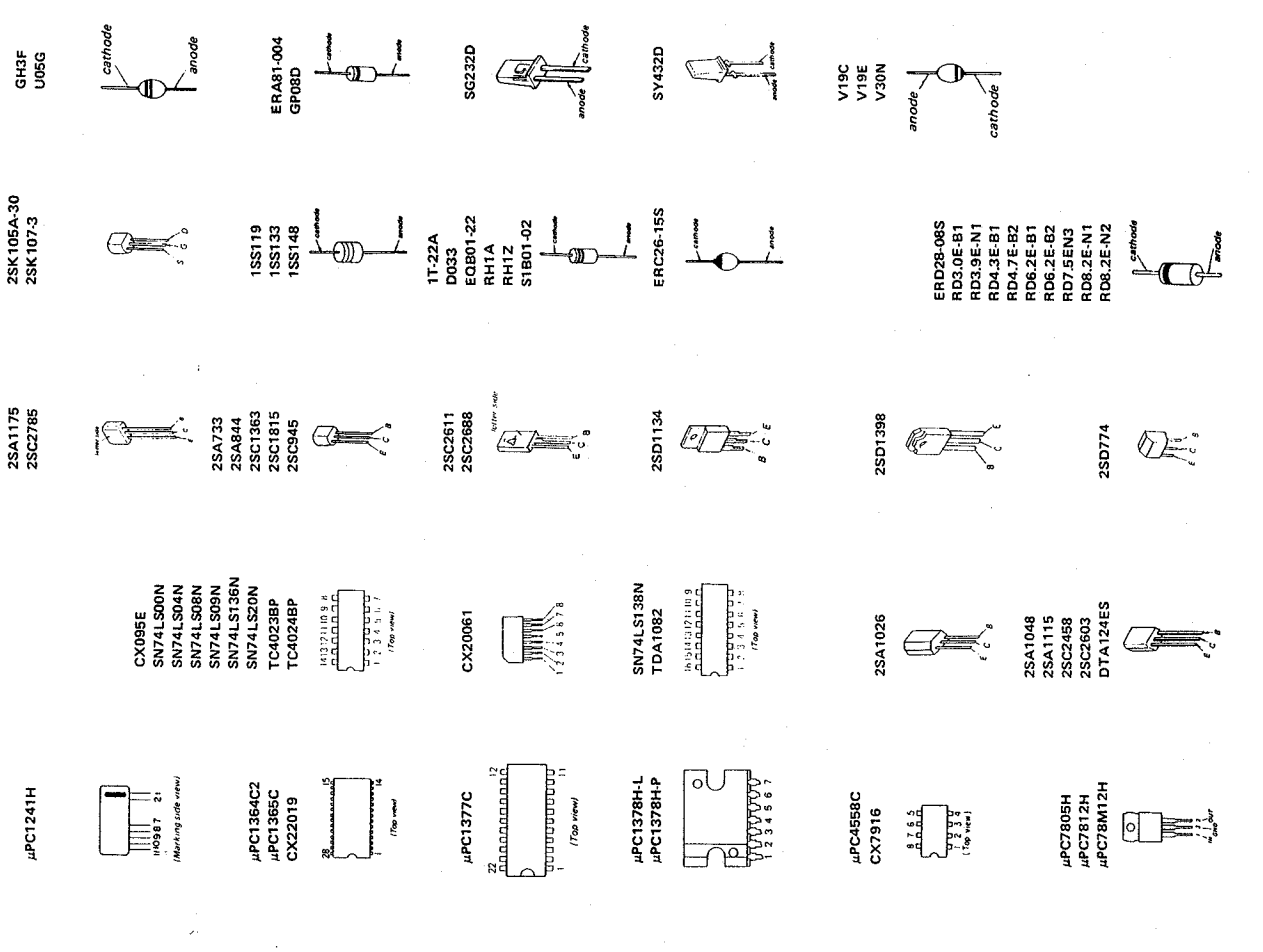
PVM-2010QM PVM-2010QM

5-2. BLOCK DIAGRAM



For Service Manuals Contact
MAURITRON TECHNICAL SERVICES
 8 Cherry Tree Rd, Chirnor
 Oxon OX9 4QY
 Tel: 01844-351694 Fax: 01844-352554
 Email: enquiries@mauritron.co.uk

5-3. SEMICONDUCTORS



2SA1175 2SC2785	CX095E SN74LS00N SN74LS04N SN74LS08N SN74LS09N SN74LS136N SN74LS20N TC4023BP TC4024BP	1T-22A D033 EQE01-22 RH1A RH1Z S1B01-02	2SC2611 2SC2688	2SD1134	2SA1026	2SD1398	2SD774
GH3F U05G	1SS119 1SS133 1SS148	ERA81-004 GF08D	SG232D	SY432D	V19C V19E V30N	ERD2B-08S RD3.0E-B1 RD3.9E-N1 RD4.3E-B1 RD4.7E-B2 RD6.2E-B1 RD6.2E-B2 RD7.5EN3 RD8.2E-N1 RD8.2E-N2	
2SK105A-30 2SK107-3	2SA733 2SA844 2SC1363 2SC1815 2SC945	2SC2061	SN74LS138N TDA1082	2SA1048 2SA1115 2SC2458 2SC2603 DTA124ES	μPC1241H	μPC1377C	μPC1378H-L μPC1378H-P
	μPC1364C2 μPC1365C CX22019	μPC4558C CX7916	μPC7805H μPC7812H μPC78M12H				

5-4. SCHEMATIC DIAGRAMS

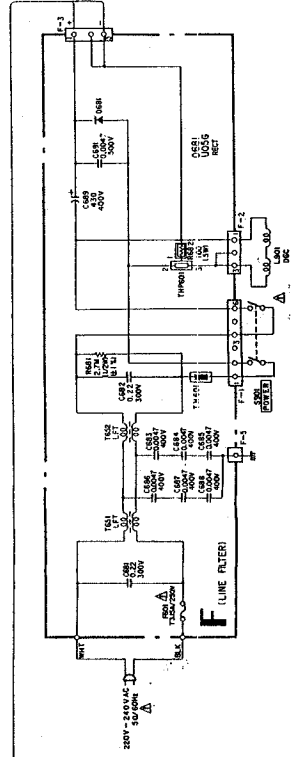
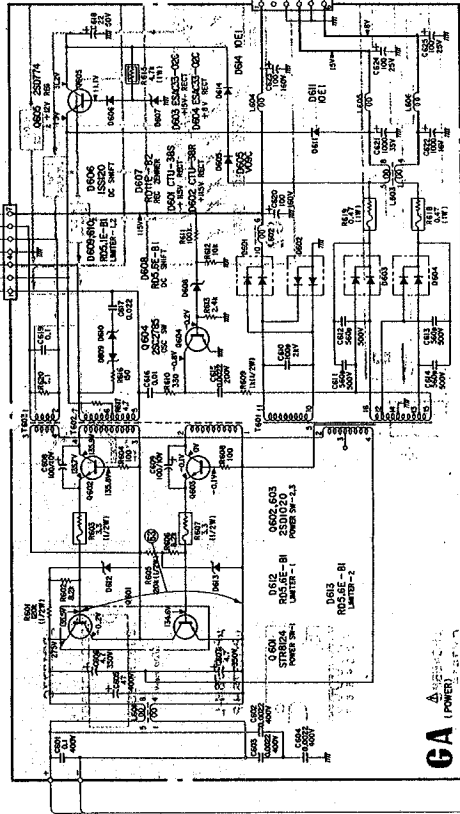
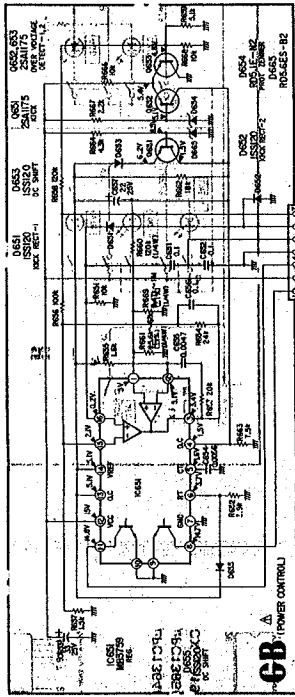
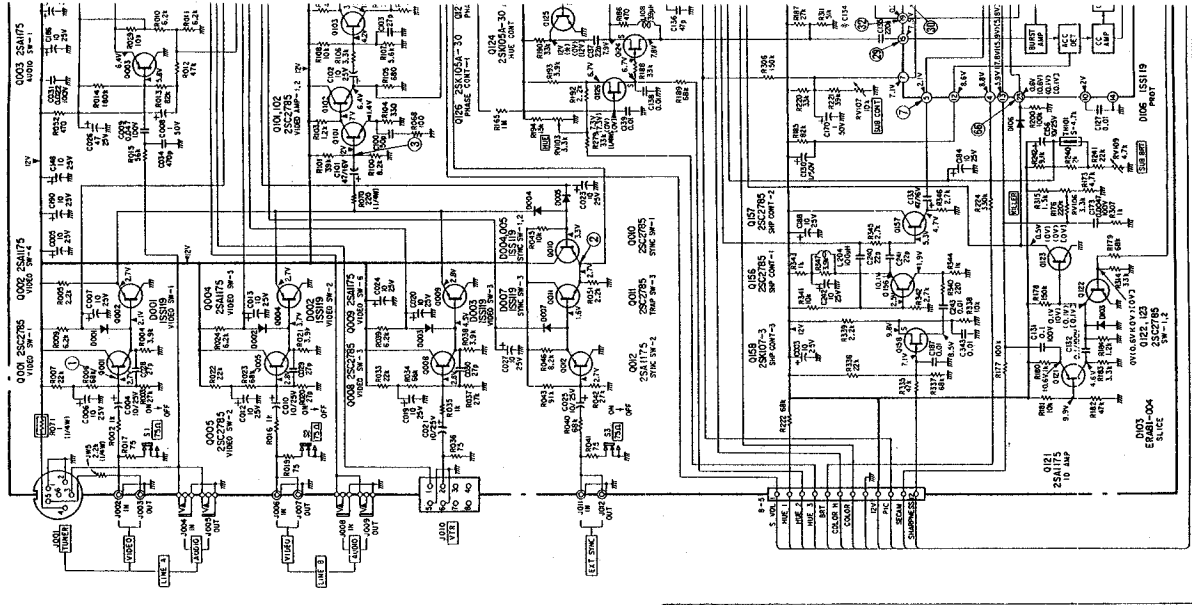
Note: The components identified by shading and mark Δ are critical for safety. Replace only with part number specified.

- All capacitors are in μF unless otherwise noted. pF, μF F, 50WV or less are not indicated except for electrolytics.
- All resistors are in ohms, 1/6W unless otherwise noted. k Ω = 1000 Ω , M Ω = 1000k Ω .
- Notice that the following boards have not a resistance wattage of 1/6W.
GA Board 1/4W (as a reference)
- \square : nonflammable resistor.
- \square : fusible resistor
- Δ : internal component.
- \square : panel designation.
- All variable and adjustable resistors have characteristic curve B, unless otherwise noted.
- Readings are taken with a color-bar signal input to LINE A.
- Voltages are dc with respect to ground unless otherwise noted.
- The voltage of Q601 - Q603 is a reference value between emitter of Q601.
- Readings are taken with a 10M Ω digital multimeter.
- \square : adjustment for repair.
- Voltage variations may be noted due to normal production tolerances.
- \square : B + bus.
- $\textcircled{1}$: The number indicates No. of a waveform diagram. For the waveform diagram, refer to page 23 ~ 27.

- no mark : PAL
- () : SECAM
- < > : NTSC 3.58
- [] : NTSC 4.43

- * : Not measurable.
- * : Selected to yield optimum performance.

For Service Manuals Contact
MAURITRON TECHNICAL SERVICES
 8 Cherry Tree Rd, Chinnor
 Oxon OX9 4QY
 Tel: 01844-351694 Fax: 01844-352554
 Email: enquiries@mauritron.co.uk

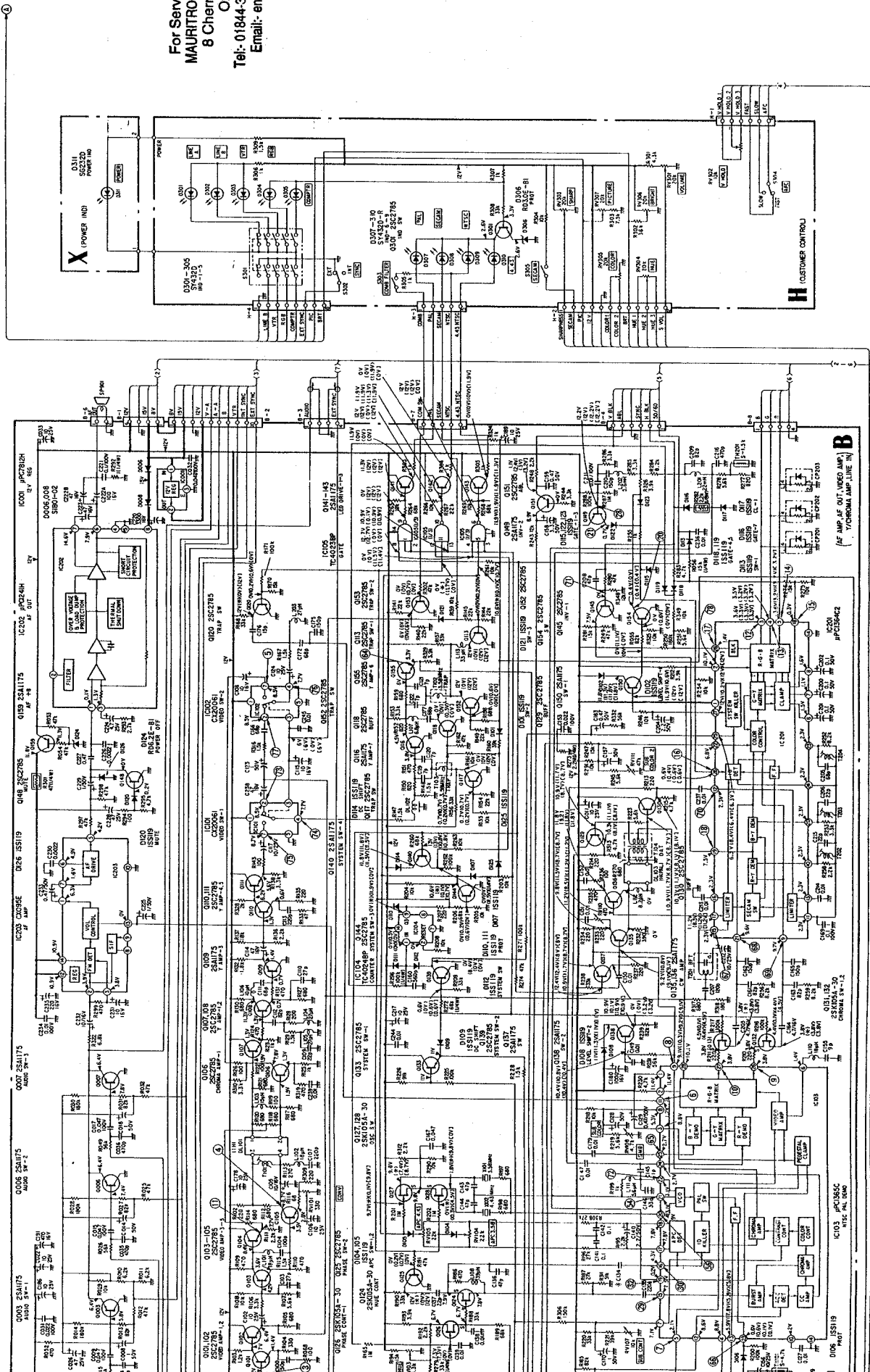


1 2 3 4 5 6 7 8 9 10 11 12

A B C D E F G H I J

PVM-2010QM PVM-2010QM

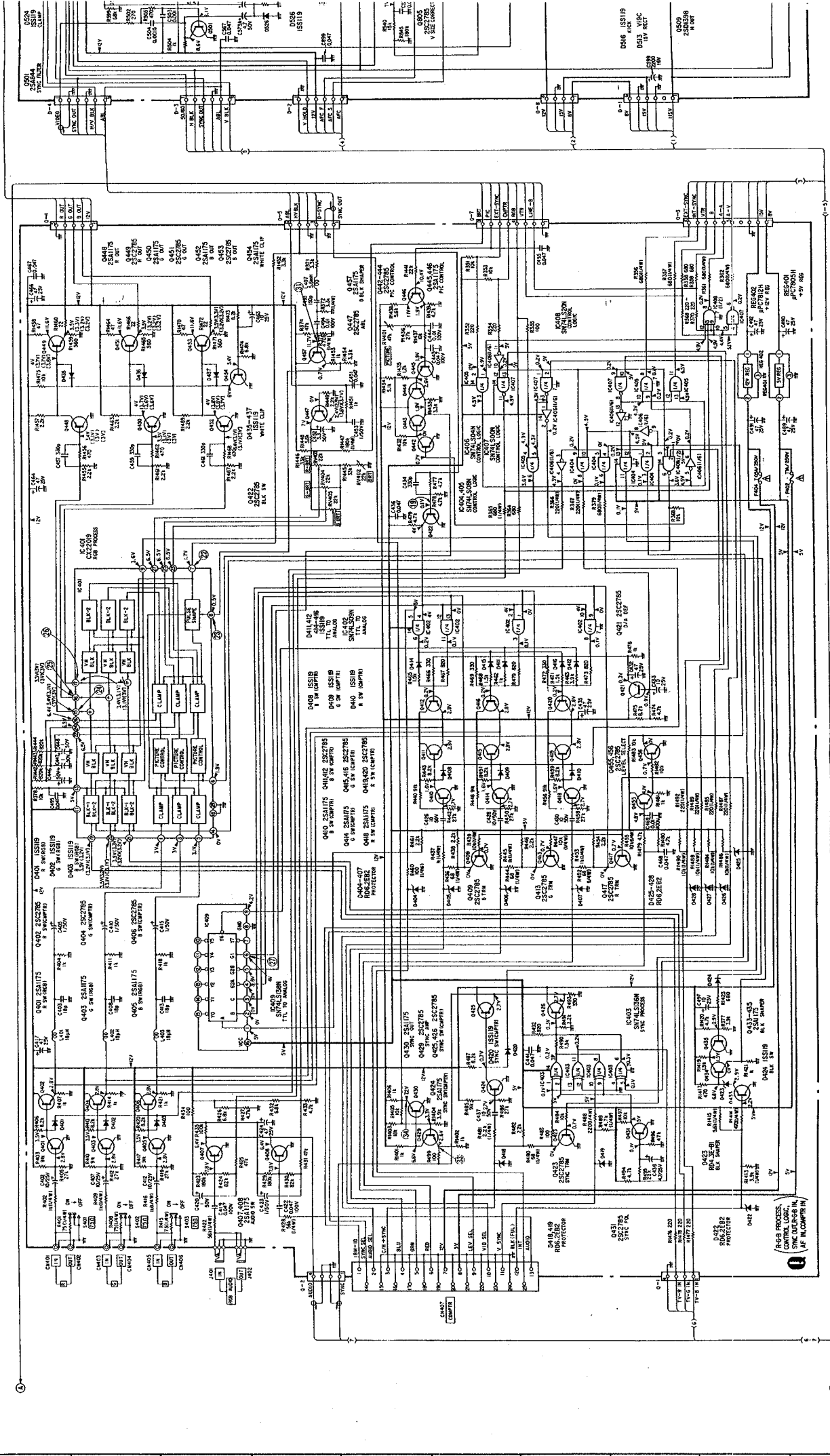
12 13 14 15 16 17 18 19 20 21 22 23 24 25 26 27

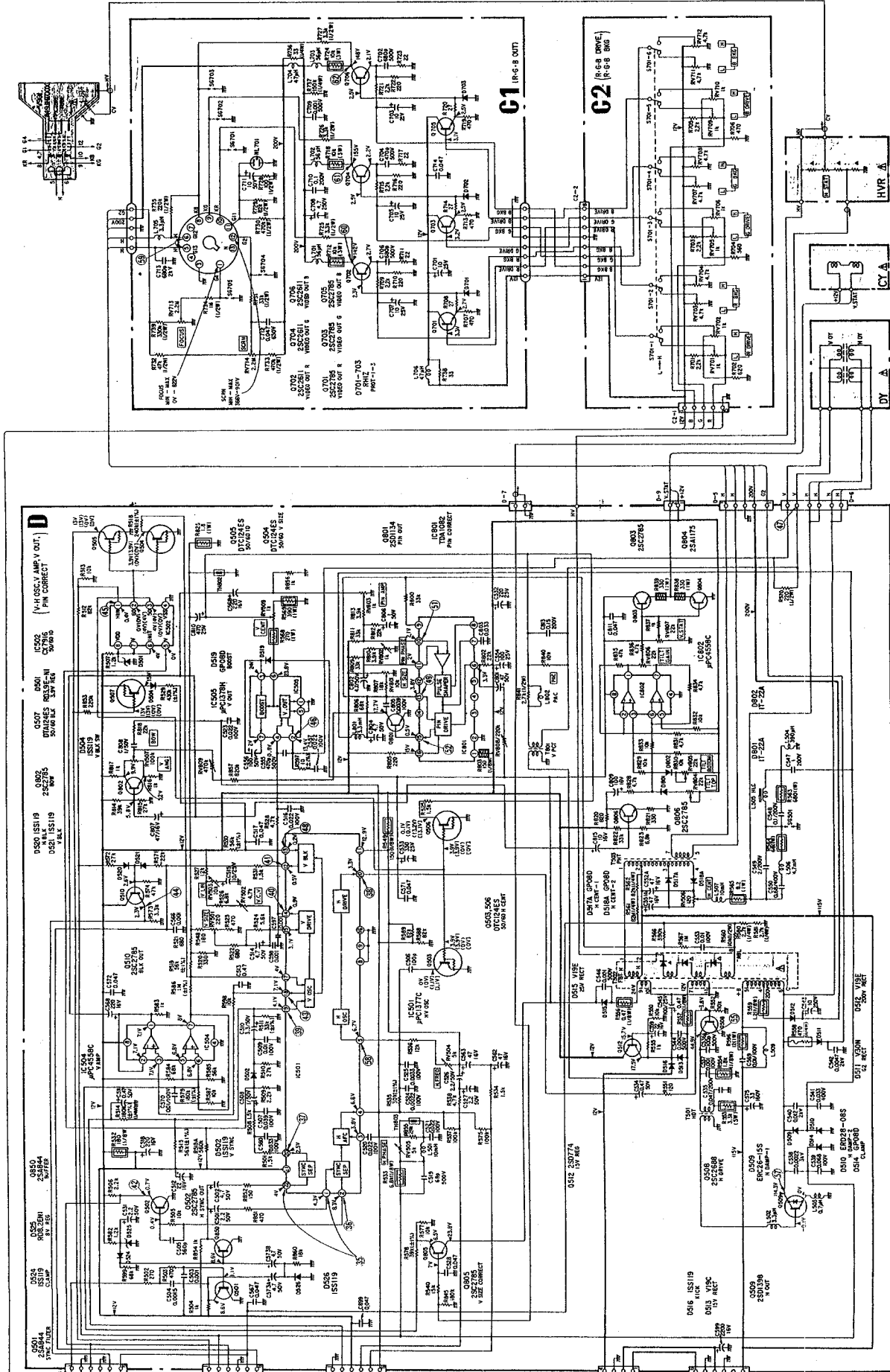


For Service Manuals Contact
MAURITRON TECHNICAL SERVICES
 8 Cherry Tree Rd, Chinnor
 Oxon OX9 4QY
 Tel: 01844-351694 Fax: 01844-352554
 Email: enquiries@mauritron.co.uk

PVM-2010QM PVM-2010QM

1 2 3 4 5 6 7 8 9 10 11 12 13 14 15 16





For Service Manuals Contact
MAURITRON TECHNICAL SERVICES
 8 Cherry Tree Rd, Chinnor
 Oxon OX9 4QY
 Tel: 01844-351694 Fax: 01844-952554
 Email: enquires@mauritron.co.uk

GA [POWER]

GB [POWER CONTROL]

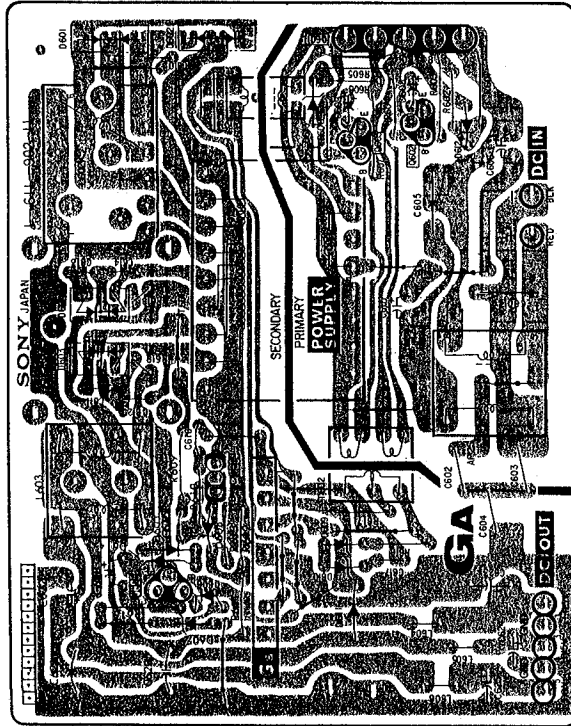
F [LINE FILTER]

X [POWER IND.]

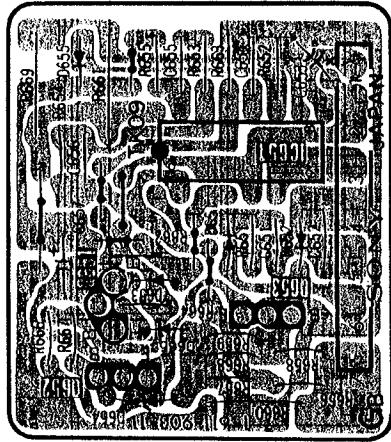
H [CUSTOMER CONTROL]

1 2 3 4 5 6 7 8 9 10 11 12 13 14 15 16

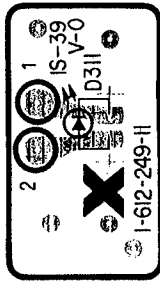
- GA Board -



- GB Board -



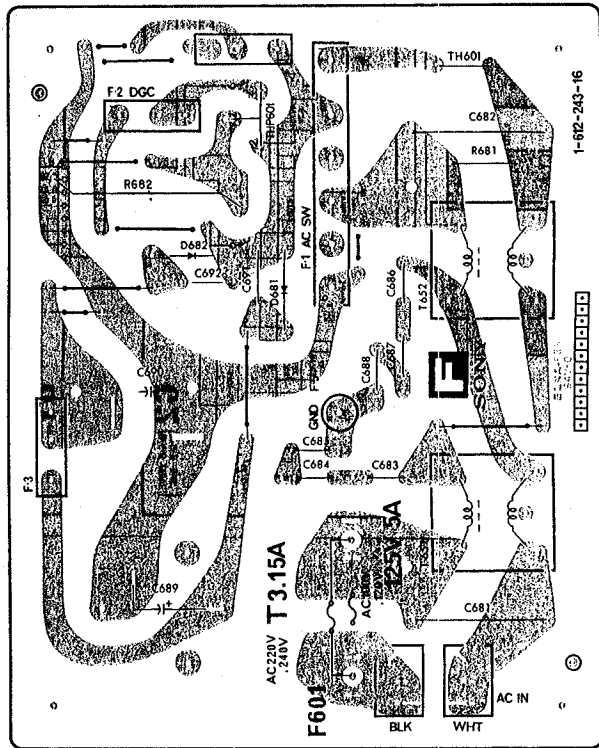
- X Board -



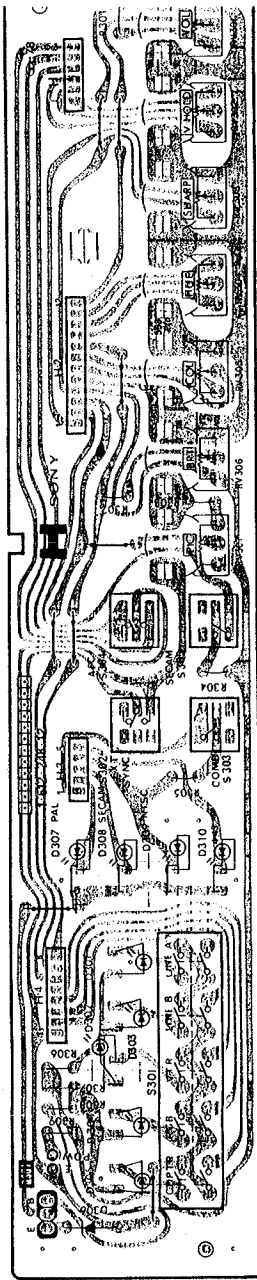
- B Board

For Service Manuals Contact
MAURITRON TECHNICAL SERVICES
 8 Cherry Tree Rd, Chinnor
 Oxon OX9 4QY
 Tel: 01844-351684 Fax: 01844-352554
 Email: enquiries@mauriftron.co.uk

- F Board -



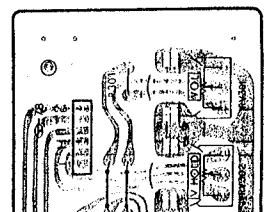
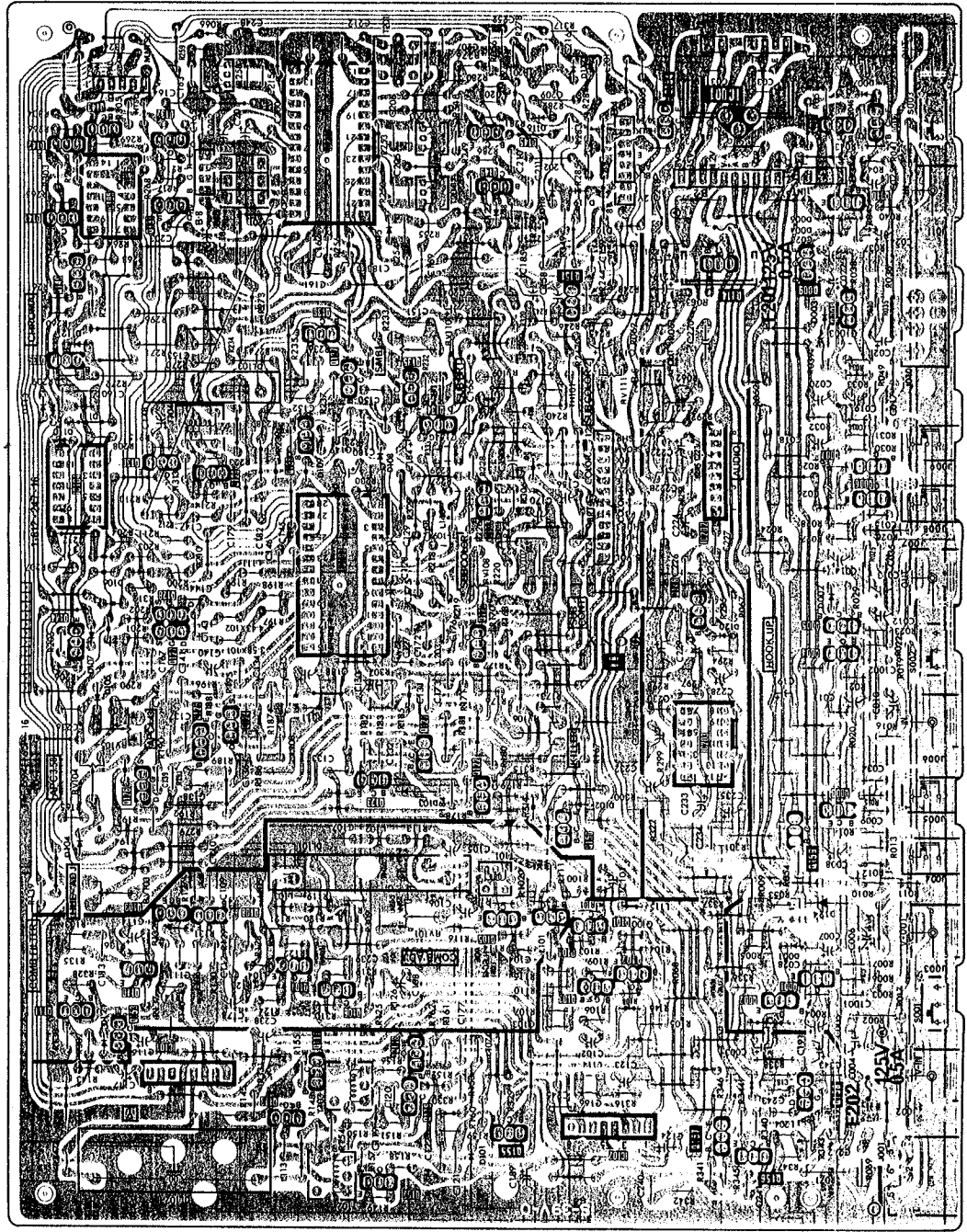
- H Board -



PVM-2010QM PVM-2010QM

- B Board -

IC	151	110	109	126	125	124	144	127,128	IC103	139	140	141	142
	152	113	116	117	118	121	120	148	133	135	151	124	143
	156	157	158	159	103	IC203	004	005	IC202	008	009	010	IC201
0	101	121	104	102	105	106	007	110	113	112	114	115	145
	001	024	RV103	RV104	RV105	RV106	RV107	008	009	011	003	005	001
ADJ													011,012
													016
													007

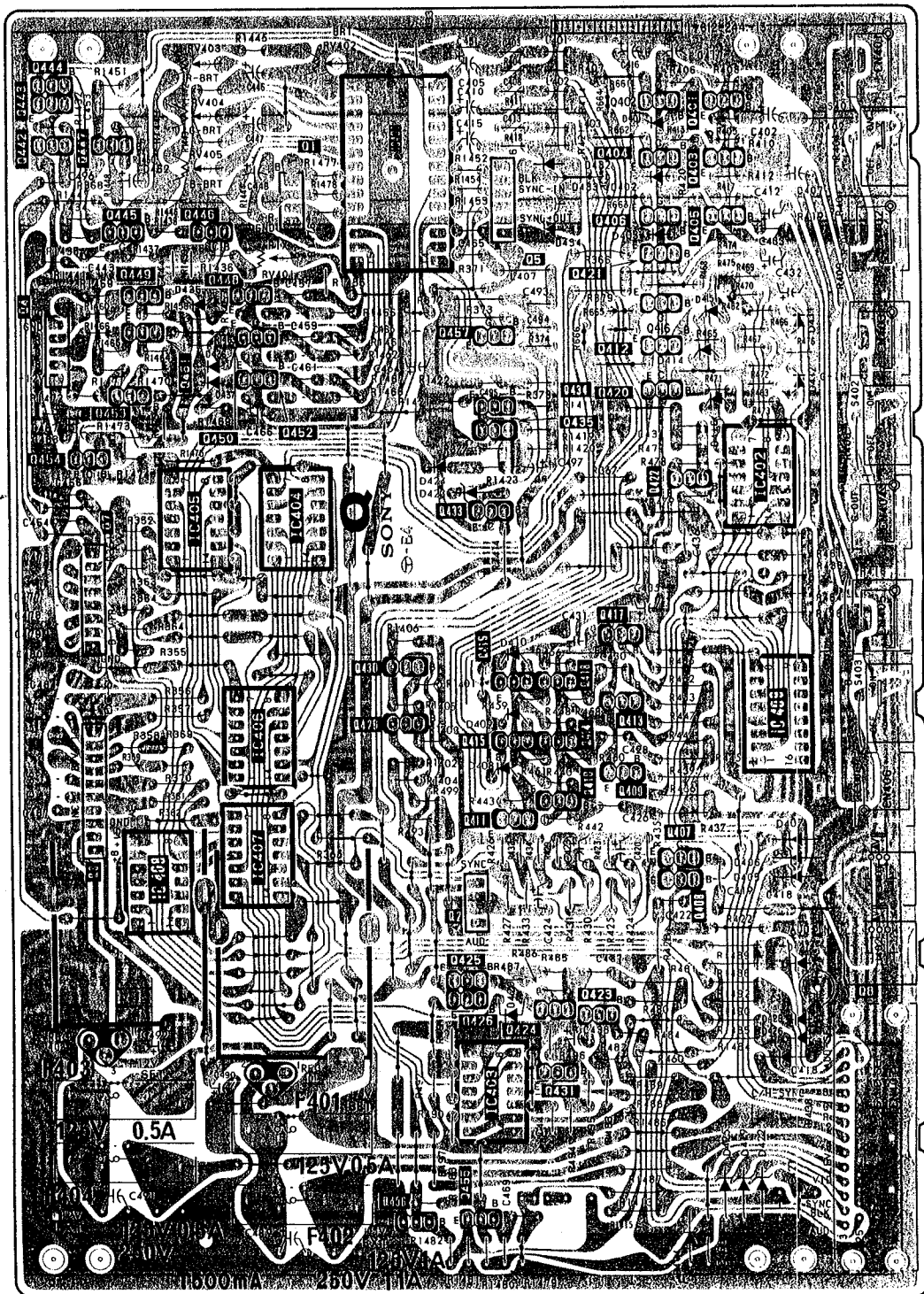


PVM-2010QM PVM-2010QM

1 2 3 4 5 6 7 8 9 10 11 12 13 14 15

Q	456 455	REG-401	REG-402	IC-408	IC-407	IC-406	430	454	453	451	449	445	443,444
.						429	430	IC-405	452	450	448	446	447
IC		IC-403	426,425	408,407	411	415	419	433	435,434	437	404	402	IC-401
		431	424	409,409	410	414	418	433	420	416	406	404	403
			423	409	410	413	417	432	437,436	435	405	402	401
D	404	425	420	408	409	410	417	423	416	414	415	403	402
	419	422	418,425,428	405,406,407	408	410	417	424	412	414	411	RV-401	RV-405
ADJ			427									RV-404	RV-403
												RV-402	RV-402
													40J

- Q Board -

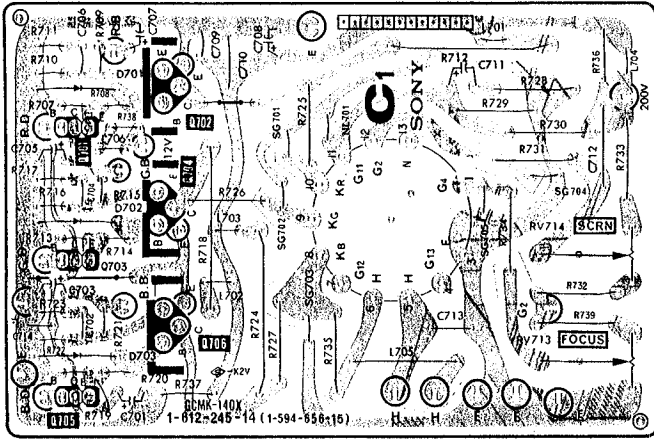


PVM-2010QM PVM-2010QM

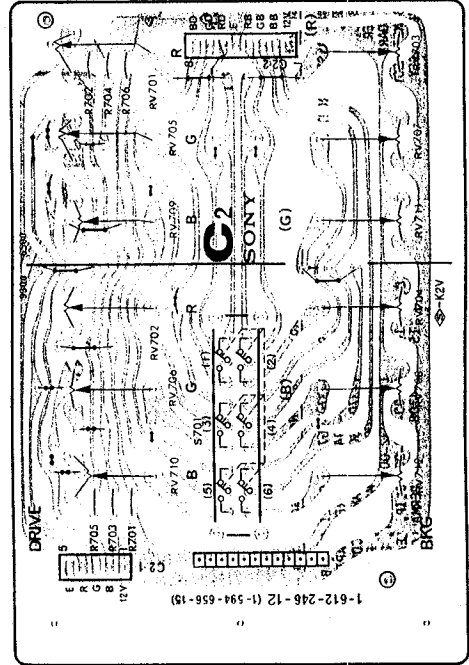
5-6. WAVEFORMS

C2 [R.G.B DRIVE]
[R.G.B BKG]

C1 [R.G.B OUT]



- C1 Board -



- C2 Board -

1	PAL	0.7V p-p (H)	7	SECAM	IV p-p (H)	10	NTSC 3.58, 4.43	14	PAL	6V p-p (H)	18	PAL, SECAM NTSC 3.58, 4.43	30	SECAM	0.5V p-p (H)
1	SECAM	2.7V p-p (H)	7	NTSC 3.58, 4.43	1.4V p-p (H)	11	PAL	14	SECAM	6V p-p (H)	18	SECAM	30	NTSC 3.58, 4.43	0.32V p-p (H)
1	SECAM	0.9V p-p (H)	8	PAL	4.4V p-p (H)	11	SECAM	14	SECAM	6V p-p (H)	20	PAL, SECAM NTSC 3.58, 4.43	32		2.6V p-p (H)
2	PAL	0.85V p-p (H)	8	SECAM	0.02V p-p (H)	11	NTSC 3.58, 4.43	15	SECAM	3.6V p-p (H)	28	PAL, SECAM NTSC 3.58, 4.43	34	PAL, SECAM NTSC 3.58, 4.43	0.44V p-p (4.43MHz) 0.55V p-p (4.43MHz) 0.46V p-p (3.58MHz) 0.44V p-p (4.43MHz)
2	SECAM	0.86V p-p (H)	9	PAL	0.45V p-p (H) (3.58) 0.56V p-p (H) (4.43)	12	PAL	16	PAL, SECAM NTSC 3.58, 4.43	8V p-p (H)	28	SECAM	34	PAL, SECAM NTSC 3.58, 4.43	0.44V p-p (4.43MHz) 0.55V p-p (4.43MHz) 0.46V p-p (3.58MHz) 0.44V p-p (4.43MHz)
2	NTSC 3.58, 4.43	0.4V p-p (H)	9	SECAM	0.9V p-p (H)	12	SECAM	17	SECAM	8V p-p (H)	29	PAL	36	PAL	1.1V p-p (4.43MHz) 1.8V p-p (4.43MHz) 2.2V p-p (3.58MHz) 2.4V p-p (4.43MHz)
3	PAL	0.7V p-p (H)	9	SECAM	0.48V p-p (H)	13	PAL	17	PAL, SECAM NTSC 3.58, 4.43	2.8V p-p (H) (PAL) 2.6V p-p (H) (SECAM) 2.4V p-p (H) (3.58) 2.7V p-p (H) (4.43)	29	SECAM	36	SECAM	0.9V p-p (H)
3	SECAM	0.9V p-p (H)	10	PAL	1.1V p-p (H)	13	SECAM	18	SECAM	6V p-p (H)	29	SECAM	36	SECAM	1V p-p (H)
4	PAL	1.3V p-p (H)	10	SECAM	0.9V p-p (H)	13	NTSC 3.58, 4.43	21	PAL	12V p-p (H)	30	PAL	36	NTSC 3.58, 4.43	1.1V p-p (H)

RD

100QM PAL 0.7Vp-p (H)	4 SECAM 2.7Vp-p (H)	7 SECAM IV p-p (H)	10 NTSC 3.58, 4.43 0.7Vp-p (H) (3.58) 0.8Vp-p (H) (4.43)	14 PAL 6Vp-p (H)	18 PAL SECAM NTSC 3.58, 4.43 6.5Vp-p (H) (PAL) 10Vp-p (H) (SECAM) 9.5Vp-p (H) (3.58) 9.5Vp-p (H) (4.43)	30 SECAM 0.5Vp-p (H)	65 PAL 0.26Vp-p (H)	68 NTSC 3.58, 4.43 0.9Vp-p (H) (3.58) 0.9Vp-p (H) (4.43)	73 PAL 3Vp-p (H)	75 NTSC 4.43 3.2Vp-p (H)	78 SECAM 2.6Vp-p (H)
SECAM 0.9Vp-p (H)	4 NTSC 3.58, 4.43 1.8Vp-p (H)	7 NTSC 3.58, 4.43 1.4Vp-p (H)	11 PAL 1.4Vp-p (H)	14 SECAM 6Vp-p (H)	20 PAL SECAM NTSC 3.58, 4.43 6.5Vp-p (H) (PAL) 10Vp-p (H) (SECAM) 9.5Vp-p (H) (3.58) 9.5Vp-p (H) (4.43)	30 NTSC 3.58, 4.43 0.32Vp-p (H)	65 SECAM 0.18Vp-p (H)	69 PAL 0.85Vp-p (H)	73 SECAM 3.6Vp-p (H)	76 PAL 2.6Vp-p (H)	78 NTSC 3.58, 4.43 2.6Vp-p (H) (3.58) 2.8Vp-p (H) (4.43)
NTSC 3.58, 4.43 0.85Vp-p (H)	5 PAL 2.2Vp-p (H)	8 PAL 4.4Vp-p (H)	11 SECAM 1.6Vp-p (H)	14 NTSC 3.58, 4.43 3.5Vp-p (H) (3.58) 3.5Vp-p (H) (4.43)	20 PAL SECAM NTSC 3.58, 4.43 5.6Vp-p (H) (PAL) 9Vp-p (H) (SECAM) 6Vp-p (H) (3.58) 6Vp-p (H) (4.43)	32 PAL 2.6Vp-p (H)	66 PAL SECAM NTSC 3.58, 4.43 0.24Vp-p (H) (3.58) 0.28Vp-p (H) (4.43)	69 SECAM 0.9Vp-p (H)	74 PAL 3.2Vp-p (H)	76 SECAM 3Vp-p (H)	
SECAM 2.8Vp-p (H)	5 SECAM 2.8Vp-p (H)	8 SECAM 0.02Vp-p (H)	11 NTSC 3.58, 4.43 1.5Vp-p (H)	15 PAL 3.6Vp-p (H)	20 PAL SECAM NTSC 3.58, 4.43 5.6Vp-p (H) (PAL) 9Vp-p (H) (SECAM) 6Vp-p (H) (3.58) 6Vp-p (H) (4.43)	34 PAL SECAM NTSC 3.58, 4.43 0.44Vp-p (H) (4.43MHz) (PAL) 0.55Vp-p (H) (4.43MHz) (SECAM) 0.45Vp-p (H) (3.58MHz) 0.44Vp-p (H) (4.43MHz) (4.43)	66 PAL SECAM NTSC 3.58, 4.43 4.5Vp-p (H)	70 PAL 0.44Vp-p (H)	74 PAL 3Vp-p (H)	76 NTSC 3.58 2.8Vp-p (H)	
SECAM 2.8Vp-p (H)	5 NTSC 3.58 2.8Vp-p (H)	8 NTSC 3.58, 4.43 0.45Vp-p (H) (3.58) 0.58Vp-p (H) (4.43)	12 PAL 6Vp-p (H)	16 PAL 3Vp-p (H)	20 PAL SECAM NTSC 3.58, 4.43 3.4Vp-p (H) (PAL) 3Vp-p (H) (SECAM) 3.6Vp-p (H) (3.58) 3.4Vp-p (H) (4.43)	36 PAL SECAM NTSC 3.58, 4.43 1.1Vp-p (H) (3.58MHz) (PAL) 2.2Vp-p (H) (3.58MHz) (SECAM) 2.4Vp-p (H) (4.43MHz) (4.43)	66 NTSC 3.58, 4.43 0.36Vp-p (H)	70 SECAM 0.2Vp-p (H)	74 SECAM 3.6Vp-p (H)	76 NTSC 4.43 3.2Vp-p (H)	
SECAM 3.2Vp-p (H)	6 PAL 0.32Vp-p (H)	9 PAL 0.9Vp-p (H)	12 SECAM 7.5Vp-p (H)	16 SECAM 8Vp-p (H)	20 PAL 1.8Vp-p (H)	36 PAL SECAM NTSC 3.58, 4.43 1.1Vp-p (H) (3.58MHz) (PAL) 2.2Vp-p (H) (3.58MHz) (SECAM) 2.4Vp-p (H) (4.43MHz) (4.43)	67 PAL 0.5Vp-p (H)	70 SECAM 0.2Vp-p (H)	74 SECAM 3.6Vp-p (H)	77 PAL 2.8Vp-p (H)	
PAL 0.2Vp-p (H)	6 SECAM 0.32Vp-p (H)	9 SECAM 0.45Vp-p (H) (3.58) 0.58Vp-p (H) (4.43)	13 PAL 5.6Vp-p (H) (3.58) 3.6Vp-p (H) (4.43)	17 PAL SECAM NTSC 3.58, 4.43 8Vp-p (H)	20 SECAM 1.8Vp-p (H)	36 SECAM 1Vp-p (H)	67 SECAM 0.8Vp-p (H)	70 NTSC 3.58, 4.43 0.34Vp-p (H) (3.58) 0.32Vp-p (H) (4.43)	74 SECAM 3.2Vp-p (H)	77 SECAM 3Vp-p (H)	
SECAM 0.3Vp-p (H)	6 SECAM 0.48Vp-p (H)	9 PAL 0.5Vp-p (H) (3.58) 0.65Vp-p (H) (4.43)	13 SECAM 5.6Vp-p (H) (3.58) 3.6Vp-p (H) (4.43)	17 PAL SECAM NTSC 3.58, 4.43 2.8Vp-p (H) (PAL) 2.5Vp-p (H) (SECAM) 4Vp-p (H) (3.58) 4Vp-p (H) (4.43)	20 SECAM 2.2Vp-p (H)	36 PAL SECAM NTSC 3.58, 4.43 1Vp-p (H)	67 NTSC 3.58, 4.43 0.8Vp-p (H) (3.58) 0.7Vp-p (H) (4.43)	70 PAL 3.2Vp-p (H)	74 PAL 2.8Vp-p (H)	77 SECAM 3.2Vp-p (H)	
SECAM 0.8Vp-p (H)	6 NTSC 3.58, 4.43 0.95Vp-p (H)	10 PAL 1.1Vp-p (H)	13 SECAM 6Vp-p (H)	21 PAL 8Vp-p (H)	20 PAL 1.6Vp-p (H) (3.58) 1.8Vp-p (H) (4.43)	36 SECAM 0.4Vp-p (H)	68 PAL 0.7Vp-p (H)	70 PAL SECAM NTSC 3.58, 4.43 3.2Vp-p (H)	74 SECAM 3.6Vp-p (H)	77 SECAM 3.2Vp-p (H)	
PAL 3Vp-p (H)	7 PAL 0.9Vp-p (H)	10 SECAM 0.9Vp-p (H)	13 NTSC 3.58, 4.43 5.6Vp-p (H) (3.58) 3.4Vp-p (H) (4.43)	21 PAL 12Vp-p (H)	30 PAL 0.4Vp-p (H)	36 SECAM 1.1Vp-p (H)	68 SECAM 1.1Vp-p (H)	70 PAL SECAM NTSC 3.58, 4.43 3.2Vp-p (H)	74 NTSC 3.58 2.8Vp-p (H)	78 PAL 1.8Vp-p (H)	

Q BOARD

19		1.8Vp-p (H)	20		11Vp-p (H)
21		9Vp-p (H)	22		6Vp-p (H)
23		3.5Vp-p (H) (3.58) 4.3Vp-p (H) (4.43)	24		5Vp-p (H)
25		3.8Vp-p (H) (3.58) 4.4Vp-p (H) (4.43)	26		2.8Vp-p (H) (3.58) 2.8Vp-p (H) (4.43)
27		2.8Vp-p (H) (3.58) 2.8Vp-p (H) (4.43)	28		2.8Vp-p (H) (3.58) 2.8Vp-p (H) (4.43)
29		5.6Vp-p (H)	30		0.38Vp-p (H)
31		0.42Vp-p (H)	32		0.48Vp-p (H) (3.58) 0.48Vp-p (H) (4.43)
33		2.4Vp-p (H) (3.58) 2.8Vp-p (H) (4.43)	34		2.4Vp-p (H)
35		1.7Vp-p (H)	36		1.8Vp-p (H) (3.58) 1.8Vp-p (H) (4.43)

D BOARD

37		8Vp-p (H)	38		8Vp-p (H)
39		4Vp-p (H)	40		2.6Vp-p (H)
41		11.5Vp-p (H)	42		10Vp-p (H)
43		3.2Vp-p (H)	44		14Vp-p (H)
45		4.4Vp-p (H)	46		50Vp-p (H)
47		24Vp-p (H)	48		6Vp-p (H)
49		2.1Vp-p (H)	50		0.7Vp-p (H)
51		0.35Vp-p (H)	52		110Vp-p (H)
53		820Vp-p (H)	54		4.4Vp-p (H)

CT BOARD

55		19Vp-p (H)	60		115Vp-p (H)
56		90Vp-p (H)	61		110Vp-p (H)
57		90Vp-p (H)	62		90Vp-p (H)
58		90Vp-p (H)	63		100Vp-p (H)
59		105Vp-p (H)	64		100Vp-p (H)

GA BOARD

65		19Vp-p 300Vp-p
----	--	-------------------

For Service Manuals Contact
MAURITRON TECHNICAL SERVICES
 8 Cherry Tree Rd, Chinnor
 Oxon OX9 4QY
 Tel: 01844-351694 Fax: 01844-352554
 Email: enquiries@mauritron.co.uk

SECTION 6 EXPLODED VIEWS

NOTE:

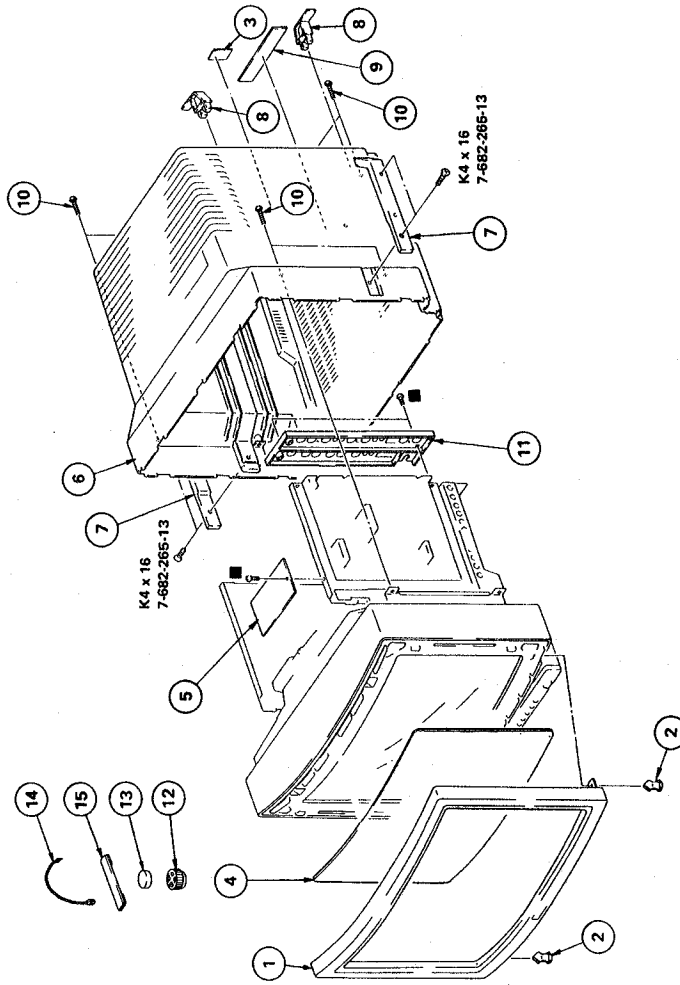
- Items with no part number and no description are not stocked because they are seldom required for routine service.
- The construction parts of an assembled part are indicated with a collation number in the remark column.

- Items marked " " are not stocked since they are seldom required for routine service. Some delay should be anticipated when ordering these items.

The components identified by leading zeros are critical to safety. Replace only with part number specified.

(1) CABINET ASSY

■ : TA, BV3x8 7-685-646-79

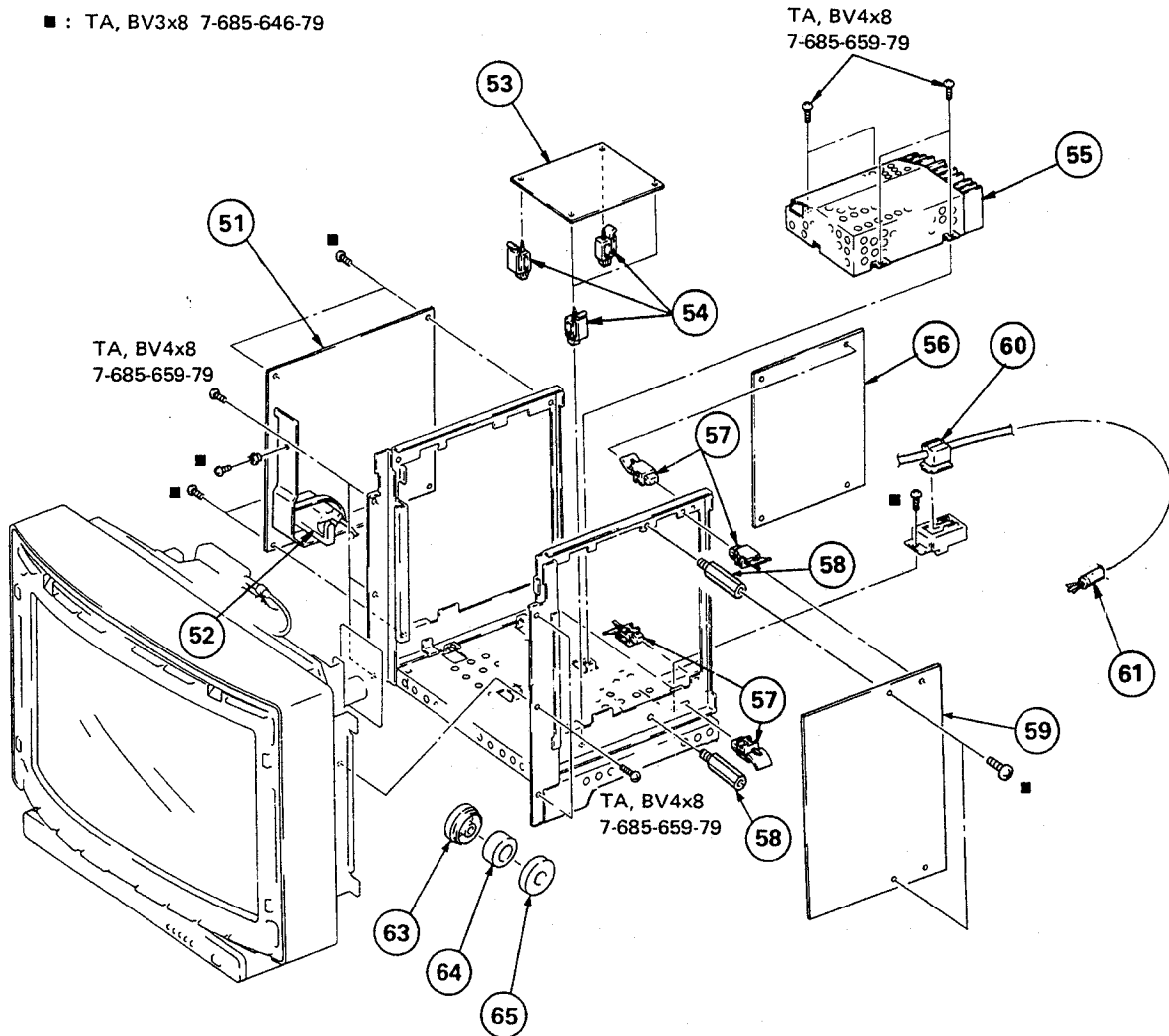


For Service Manuals Contact
MAURITRON TECHNICAL SERVICES
 8 Cherry Tree Fd, Chinnor
 Oxon OX9 4QY
 Tel: 01844-351694 Fax: 01844-352554
 Email: enquiries@mauritron.co.uk

No.	Part No.	Description	Remark	No.	Part No.	Description	Remark
1	X-4370-904-1	PANEL ASSY, FRONT		9	4-370-907-01	SHEET (B), B: IND	
2	4-370-920-01	C.I.P. PANEL		10	4-304-494-21	SCREEN, TAPPING, +PHX16	
3	*4-361-314-01	PANEL, MOUNT. NUMBER		11	4-370-930-01	PANEL, CONNECTOR	
4	4-370-925-01	FILTER		12	1-452-094-00	MAGNET, ROTABLE DISK; 15MM Ø	
5	*1-612-246-11	C2 BOARD		13	1-452-032-00	MAGNET, DISK; 10MM Ø	
6	X-4370-903-1	CABINET ASSY		14	4-308-870-00	C.I.P. LEAD WIRE	
7	X-4370-906-1	HANDLE ASSY		15	X-4308-815-0	PERMANENT ASSY, CONVERGENCE	
8	4-316-003-00	HOLDER, CORD					

(2) CHASSIS ASS'Y

■ : TA, BV3x8 7-685-646-79

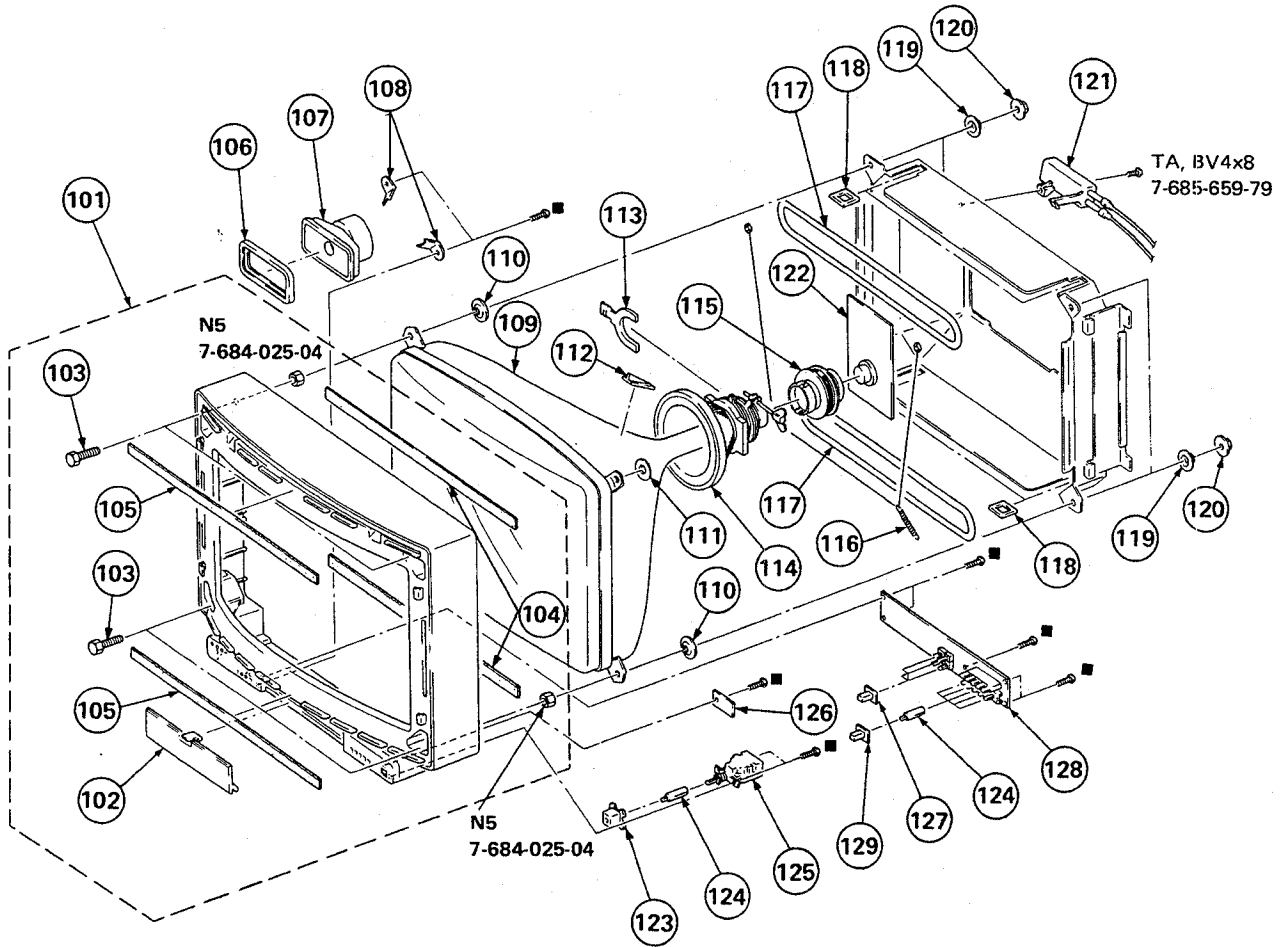


No.	Part No.	Description	Remark	No.	Part No.	Description	Remark
51	*A-1345-455-A	D BOARD, COMPLETE		59	*A-1135-239-A	B BOARD, COMPLETE	126,128
52	▲.1-439-322-12	TRANSFORMER ASSY, FLYBACK		60	▲*4-364-745-01	BUSHING, AC CORD	
53	*1-612-243-11	F BOARD		61	▲.1-534-820-13	POWER CORD	
54	*3-659-681-00	HOLDER, PC BOARD		63	1-543-179-00	CORE, RING	
55	▲.1-413-179-11	SWITCHING REGULATOR (TK-09)		64	*4-361-124-01	COVER (A), CORE	
56	*A-1275-050-A	Q BOARD, COMPLETE		65	*4-361-125-01	COVER (B), CORE	
57	*3-703-141-00	HOLDER, PCB					
58	*3-670-570-41	SPACER, SUPPORT					

The components identified by shading and mark ▲ are critical for safety. Replace only with part number specified.

(3) BEZEL ASSY

■ : TA, BV3x12 7-685-648-79



No.	Part No.	Description	Remark	No.	Part No.	Description	Remark
101	X-4363-306-1	BEZEL ASSY	102,103,104,105	115	▲1-452-337-11	NECK ASSY, CRT (NA304)	
102	X-4370-907-1	DOOR ASSY		116	4-303-774-XX	SPRING	
103	3-703-025-12	BO.T M5, HEXAGON-HEAD		117	▲1-426-087-42	COIL, DEGAUSSING	
104	4-304-087-02	CUSHION, (A) PICTURE TUBE		118	*4-322-922-00	HOLDER, COIL, DEGAUSSER	
105	4-312-539-00	CUSHION (A), BEZEL		119	4-026-534-00	WASHER, POSITION	
106	*4-364-741-00	CUSHION, SPEAKER		120	4-306-034-00	FLANGE NUT, (B) 5MM	
107	1-503-109-00	SPEAKER		121	▲1-228-482-14	RESISTOR ASSY HIGH-VOLTAGE	
108	*4-321-611-00	CLAW, RETAINING, SPEAKER		122	*A-1330-507-A	C1 BOARD, COMPLETE	
109	▲8-737-251-05	PICTURE TUBE (A49JHT00X)		123	4-346-409-11	BUTTON, POWER	
110	4-373-615-02	WASHER, CRT POSITIONING		124	*4-370-903-01	SHAFT, BUTTON	
111	4-801-003-00	WASHER, FLAT (DIA. 16)		125	▲1-554-967-12	SWITCH, PUSH (AC POWER)(1 KEY)	
112	3-703-961-01	SPACER, DY		126	*1-612-249-11	X BOARD	
113	1-452-146-00	BMC MAGNET		127	4-369-627-01	PUSH BUTTON	
114	▲1-451-204-63	DEFLECTION YOKE (SY-108B)		128	*1-612-248-11	H BOARD	
				129	4-349-408-00	PUSH BUTTON	

The components identified by shading and mark ▲ are critical for safety. Replace only with part number specified.

SECTION 7
ELECTRICAL PARTS LIST

B

NOTE:

The components identified by shading and mark **A** are critical for safety. Replace only with part number specified.

• Items marked " * " are not stocked since they are seldom required for routine service. Some delay should be anticipated when ordering these items.

When indicating parts by reference number, please include the board name.

• All variable and adjustable resistors have characteristic curve B, unless otherwise noted.

CAPACITORS
 • MF : μ F, PF : μ μ F

RESISTORS
 • All resistors are in ohms
 • F : nonflammable

COILS
 • MMH : mH, UH : μ H

Ref.No.	Part No.	Description	Remark	Ref.No.	Part No.	Description	Remark
*A-1135-239-A	B BOARD, COMPLETE	*****		C103	1-102-961-00	CERAMIC 27PF	5% 50V
*3-538-178-00	HEAT SINK			C104	1-102-973-00	CERAMIC 100PF	5% 50V
*4-323-833-00	HEAT SINK, PIN OUT			C105	1-123-356-00	ELECT 10MF	20% 16V
	CONNECTOR			C106	1-123-356-00	ELECT 10MF	20% 25V
B1	*1-560-124-00	P.LUG, CONNECTOR (2.5MM) 4P		C107	1-102-978-00	CERAMIC 220PF	5% 50V
B2	*1-560-224-00	PLUG, CONNECTOR (2.5MM) 10P		C108	1-123-356-00	ELECT 10MF	20% 16V
B3	*1-560-124-00	PLUG, CONNECTOR (2.5MM) 4P		C109	1-102-959-00	CERAMIC 22PF	5% 50V
B4	*1-560-126-00	P.LUG, CONNECTOR (2.5MM) 6P		C110	1-102-961-00	CERAMIC 27PF	5% 50V
B5	*1-560-156-00	P.LUG, CONNECTOR (2.5MM PITCH)		C111	1-101-888-00	CERAMIC 68PF	5% 50V
B6	*1-560-290-00	P.LUG, CONNECTOR (2.5MM PITCH)		C112	1-102-971-00	CERAMIC 82PF	5% 50V
B7	*1-560-125-00	P.LUG, CONNECTOR (2.5MM) 5P		C113	1-102-978-00	CERAMIC 220PF	5% 50V
B8	*1-560-124-00	P.LUG, CONNECTOR (2.5MM) 4P		C114	1-123-332-00	ELECT 47MF	20% 16V
	CAPACITOR			C115	1-123-356-00	ELECT 10MF	20% 16V
C003	1-123-356-00	ELECT 10MF	20% 25V	C117	1-123-356-00	ELECT 10MF	20% 25V
C004	1-123-356-00	ELECT 10MF	20% 25V	C119	1-102-944-00	CERAMIC 7PF	0.5PF 50V
C005	1-123-356-00	ELECT 10MF	20% 25V	C120	1-102-944-00	CERAMIC 7PF	0.5PF 50V
C006	1-123-356-00	ELECT 10MF	20% 25V	C121	1-102-944-00	CERAMIC 7PF	0.5PF 50V
C007	1-123-356-00	ELECT 10MF	20% 25V	C122	1-102-944-00	CERAMIC 7PF	0.5PF 50V
C008	1-123-380-00	ELECT 1MF	20% 50V	C123	1-123-380-00	ELECT 1MF	20% 50V
C009	1-106-383-00	MYLAR 0.047MF	10% 100V	C124	1-123-356-00	ELECT 10MF	20% 25V
C010	1-123-356-00	ELECT 10MF	20% 25V	C127	1-101-004-00	CERAMIC 0.01MF	50V
C011	1-123-356-00	ELECT 10MF	20% 25V	C128	1-123-380-00	ELECT 1MF	20% 50V
C012	1-123-356-00	ELECT 10MF	20% 25V	C129	1-123-379-00	ELECT 0.47MF	20% 50V
C013	1-123-356-00	ELECT 10MF	20% 25V	C130	1-123-380-00	ELECT 1MF	20% 50V
C014	1-123-380-00	ELECT 1MF	20% 50V	C131	1-106-220-00	MYLAR 0.1MF	10% 100V
C015	1-106-383-00	MYLAR 0.047MF	10% 100V	C132	1-106-220-00	MYLAR 0.1MF	10% 100V
C017	1-106-383-00	MYLAR 0.047MF	10% 100V	C133	1-123-332-00	ELECT 47MF	16V
C018	1-123-380-00	ELECT 1MF	20% 50V	C134	1-101-880-00	CERAMIC 47PF	5% 50V
C019	1-123-356-00	ELECT 10MF	20% 25V	C135	1-101-004-00	CERAMIC 0.01MF	50V
C020	1-123-356-00	ELECT 10MF	20% 25V	C136	1-101-880-00	CERAMIC 47PF	5% 50V
C021	1-123-356-00	ELECT 10MF	20% 25V	C137	1-102-959-00	CERAMIC 22PF	5% 50V
C022	1-123-356-00	ELECT 10MF	20% 25V	C138	1-101-004-00	CERAMIC 0.01MF	50V
C023	1-123-356-00	ELECT 10MF	20% 25V	C139	1-130-483-00	MYLAR 0.01MF	5% 50V
C024	1-123-356-00	ELECT 10MF	20% 25V	C140	1-123-381-00	ELECT 2.2MF	20% 50V
C025	1-123-356-00	ELECT 10MF	20% 25V	C141	1-161-772-11	CERAMIC 0.1MF	10% 25V
C026	1-123-332-00	ELECT 47MF	20% 25V	C142	1-161-772-11	CERAMIC 0.1MF	10% 25V
C027	1-123-356-00	ELECT 10MF	20% 25V	C143	1-101-880-00	CERAMIC 47PF	5% 50V
C028	1-102-961-00	CERAMIC 27PF	5% 50V	C144	1-101-880-00	CERAMIC 47PF	5% 50V
C029	1-102-961-00	CERAMIC 27PF	5% 50V	C145	1-102-934-00	CERAMIC 1PF	0.25PF 50V
C030	1-102-961-00	CERAMIC 27PF	5% 50V	C146	1-102-963-00	CERAMIC 33PF	5% 50V
C031	1-106-375-12	MYLAR 0.022MF	10% 100V	C147	1-101-004-00	CERAMIC 0.01MF	50V
C032	1-106-383-00	MYLAR 0.047MF	10% 100V	C148	1-123-356-00	ELECT 10MF	20% 25V
C033	1-123-356-00	ELECT 10MF	20% 25V	C150	1-101-004-00	CERAMIC 0.01MF	50V
C034	1-102-114-00	CERAMIC 470PF	10% 50V	C151	1-101-004-00	CERAMIC 0.01MF	50V
C035	1-102-114-00	CERAMIC 470PF	10% 50V	C152	1-101-004-00	CERAMIC 0.01MF	50V
C036	1-102-114-00	CERAMIC 470PF	10% 50V	C153	1-106-375-12	MYLAR 0.022MF	10% 100V
C100	1-101-361-00	CERAMIC 150PF	5% 50V	C155	1-102-946-00	CERAMIC 9PF	0.5PF 50V
C101	1-123-332-00	ELECT 47MF	20% 16V	C157	1-123-380-00	ELECT 1MF	20% 50V
C102	1-123-356-00	ELECT 10MF	20% 25V	C158	1-123-382-00	ELECT 3.3MF	20% 50V
				C159	1-124-049-00	ELECT 0.47MF	20% 50V
				C160	1-102-115-00	CERAMIC 560PF	10% 50V
				C161	1-102-971-00	CERAMIC 82PF	5% 50V
				C162	1-101-361-00	CERAMIC 150PF	5% 50V

B

Ref.No.	Part No.	Description	Remark	Ref.No.	Part No.	Description	Remark
C163	1-102-971-00	CERAMIC	82PF 5% 50V	C233	1-123-379-00	ELECT	0.47MF 20% 50V
C164	1-121-257-00	ELECT	4.7MF 16V	C234	1-106-367-00	MYLAR	0.01MF 10% 100V
C165	1-101-361-00	CERAMIC	150PF 5% 50V	C235	1-123-321-00	ELECT	220MF 20% 16V
C166	1-101-888-00	CERAMIC	68PF 5% 50V	C236	1-101-004-00	CERAMIC	0.01MF 50V
C167	1-101-006-00	CERAMIC	0.047MF 50V	C237	1-161-330-00	CERAMIC	0.01MF 30% 25V
C169	1-106-220-00	MYLAR	0.1MF 10% 100V	C238	1-123-332-00	ELECT	47MF 20% 16V
C170	1-123-380-00	ELECT	1MF 20% 50V	C239	1-101-004-00	CERAMIC	0.01MF 50V
C172	1-101-888-00	CERAMIC	68PF 5% 50V	C240	1-102-959-00	CERAMIC	22PF 5% 50V
C173	1-106-359-00	MYLAR	0.0047MF 10% 100V	C241	1-102-959-00	CERAMIC	22PF 5% 50V
C175	1-101-361-00	CERAMIC	150PF 5% 50V	C242	1-123-356-00	ELECT	10MF 20% 25V
C176	1-102-951-00	CERAMIC	15PF 5% 50V	C243	1-101-004-00	CERAMIC	0.01MF 50V
C177	1-101-888-00	CERAMIC	68PF 5% 50V	C244	1-101-004-00	CERAMIC	0.01MF 50V
C178	1-123-356-00	ELECT	10MF 20% 25V	C245	1-101-004-00	CERAMIC	0.01MF 50V
C179	1-101-004-00	CERAMIC	0.01MF 50V	C343	1-101-004-00	CERAMIC	0.01MF 50V
C180	1-123-324-00	ELECT	1000MF 20% 16V	<u>DIODE</u>			
C183	1-123-379-00	ELECT	0.47MF 20% 50V	D001	8-719-911-19	DIODE 1SS119	
C184	1-123-356-00	ELECT	10MF 20% 25V	D002	8-719-911-19	DIODE 1SS119	
C186	1-123-356-00	ELECT	10MF 20% 25V	D003	8-719-911-19	DIODE 1SS119	
C187	1-101-004-00	CERAMIC	0.01MF 50V	D004	8-719-911-19	DIODE 1SS119	
C188	1-123-356-00	ELECT	10MF 20% 25V	D005	8-719-911-19	DIODE 1SS119	
C189	1-123-356-00	ELECT	10MF 20% 25V	D006	8-719-200-02	DIODE 10E2	
C190	1-123-356-00	ELECT	10MF 20% 25V	D007	8-719-911-19	DIODE 1SS119	
C191	1-123-323-00	ELECT	470MF 20% 16V	D008	8-719-200-02	DIODE 10E2	
C200	1-124-463-00	ELECT	0.1MF 20% 50V	D101	8-719-911-19	DIODE 1SS119	
C201	1-124-463-00	ELECT	0.1MF 20% 50V	D102	8-719-911-19	DIODE 1SS119	
C202	1-124-463-00	ELECT	0.1MF 20% 50V	D103	8-719-908-06	DIODE ERA81-005	
C203	1-121-257-00	ELECT	4.7MF 16V	D104	8-719-911-19	DIODE 1SS119	
C204	1-123-381-00	ELECT	2.2MF 20% 50V	D105	8-719-911-19	DIODE 1SS119	
C205	1-101-888-00	CERAMIC	68PF 5% 50V	D106	8-719-911-19	DIODE 1SS119	
C206	1-102-892-00	CERAMIC	22PF 5% 50V	D107	8-719-911-19	DIODE 1SS119	
C207	1-102-679-00	CERAMIC	120PF 5% 50V	D108	8-719-911-19	DIODE 1SS119	
C208	1-101-880-00	CERAMIC	47PF 5% 50V	D109	8-719-911-19	DIODE 1SS119	
C209	1-102-971-00	CERAMIC	82PF 5% 50V	D110	8-719-911-19	DIODE 1SS119	
C210	1-101-361-00	CERAMIC	150PF 5% 50V	D111	8-719-911-19	DIODE 1SS119	
C211	1-106-367-00	MYLAR	0.01MF 10% 100V	D112	8-719-911-19	DIODE 1SS119	
C212	1-123-356-00	ELECT	10MF 20% 25V	D113	8-719-911-19	DIODE 1SS119	
C213	1-101-004-00	CERAMIC	0.01MF 50V	D114	8-719-911-19	DIODE 1SS119	
C214	1-130-483-00	MYLAR	0.01MF 5% 50V	D115	8-719-911-19	DIODE 1SS119	
C215	1-102-892-00	CERAMIC	22PF 5% 50V	D116	8-719-911-19	DIODE 1SS119	
C216	1-102-824-00	CERAMIC	470PF 5% 50V	D117	8-719-911-19	DIODE 1SS119	
C217	1-123-356-00	ELECT	10MF 20% 25V	D118	8-719-911-19	DIODE 1SS119	
C220	1-123-326-00	ELECT	3300MF 20% 16V	D119	8-719-911-19	DIODE 1SS119	
C221	1-106-220-00	MYLAR	0.1MF 10% 100V	D120	8-719-911-19	DIODE 1SS119	
C223	1-123-332-00	ELECT	47MF 20% 16V	D121	8-719-911-19	DIODE 1SS119	
C224	1-123-369-00	ELECT	4.7MF 20% 25V	D122	8-719-911-19	DIODE 1SS119	
C225	1-123-380-00	ELECT	1MF 20% 50V	D123	8-719-911-19	DIODE 1SS119	
C226	1-102-121-00	CERAMIC	0.0022MF 10% 50V	D124	8-719-100-38	DIODE RD6.2E-82	
C227	1-130-491-00	MYLAR	0.047MF 5% 50V	D125	8-719-911-19	DIODE 1SS119	
C228	1-123-332-00	ELECT	47MF 20% 25V	D126	8-719-911-19	DIODE 1SS119	
C229	1-123-380-00	ELECT	1MF 20% 50V	<u>DELAY LINE</u>			
C230	1-102-121-00	CERAMIC	0.0022MF 10% 50V	D101	1-415-280-00	DELAY LINE (1H)	
C231	1-123-356-00	ELECT	10MF 20% 16V				
C232	1-123-356-00	ELECT	10MF 20% 16V				



Ref.No.	Part No.	Description	Remark	Ref.No.	Part No.	Description	Remark
D102	1-415-188-00	DELAY LINE		Q104	8-729-178-54	TRANSISTOR 2SC2785	
D103	1-415-122-31	DELAY LINE, 1H (PAL)		Q105	8-729-178-54	TRANSISTOR 2SC2785	
<u>IC</u>				Q106	8-729-178-54	TRANSISTOR 2SC2785	
IC001	8-759-700-06	IC NJM7812B		Q107	8-729-178-54	TRANSISTOR 2SC2785	
IC101	8-752-006-10	IC CX20061		Q108	8-729-178-54	TRANSISTOR 2SC2785	
IC102	8-752-006-10	IC CX20061		Q109	8-729-117-54	TRANSISTOR 2SA1175	
IC103	8-759-113-65	IC UPC1365C		Q110	8-729-178-54	TRANSISTOR 2SC2785	
IC104	8-759-240-24	IC TC4024BP		Q111	8-729-178-54	TRANSISTOR 2SC2785	
IC105	8-759-240-23	IC TC4023BP		Q113	8-729-178-54	TRANSISTOR 2SC2785	
IC201	8-759-100-15	IC UPC1364C		Q116	8-729-117-54	TRANSISTOR 2SA1175	
IC202	8-759-101-77	IC UPC1241H		Q117	8-729-178-54	TRANSISTOR 2SC2785	
IC203	8-759-610-95	IC CX095E		Q118	8-729-178-54	TRANSISTOR 2SC2785	
<u>JACK</u>				Q120	8-729-178-54	TRANSISTOR 2SC2785	
J1	1-562-121-00	CONNECTOR, DIN 6P		Q121	8-729-117-54	TRANSISTOR 2SA1175	
J2	1-536-842-11	TERMINAL BOARD, INPUT/OUTPUT(A)		Q122	8-729-178-54	TRANSISTOR 2SC2785	
<u>COIL</u>				Q123	8-729-178-54	TRANSISTOR 2SC2785	
L101	1-408-412-00	MICRO INDUCTOR 18UH		Q124	8-769-200-30	TRANSISTOR 2SK107-3	
L102	1-408-412-00	MICRO INDUCTOR 18UH		Q125	8-729-178-54	TRANSISTOR 2SC2785	
L103	1-408-411-00	MICRO INDUCTOR 15UH		Q126	8-729-115-30	TRANSISTOR 2SK105A-30	
L104	1-408-414-00	MICRO INDUCTOR 27UH		Q127	8-729-115-30	TRANSISTOR 2SK105A-30	
L105	1-408-414-00	MICRO INDUCTOR 27UH		Q128	8-729-115-30	TRANSISTOR 2SK105A-30	
L106	1-408-409-00	MICRO INDUCTOR 10UH		Q129	8-729-178-54	TRANSISTOR 2SC2785	
L107	1-408-407-00	MICRO INDUCTOR 6.8UH		Q130	8-729-178-54	TRANSISTOR 2SC2785	
L108	1-408-416-00	MICRO INDUCTOR 39UH		Q131	8-729-115-30	TRANSISTOR 2SK105A-30	
L110	1-408-412-00	MICRO INDUCTOR 18UH		Q132	8-729-115-30	TRANSISTOR 2SK105A-30	
L111	1-408-406-00	MICRO INDUCTOR 5.6UH		Q133	8-729-178-54	TRANSISTOR 2SC2785	
L112	1-408-408-00	MICRO INDUCTOR 8.2UH		Q135	8-729-117-54	TRANSISTOR 2SA1175	
L113	1-408-415-00	MICRO INDUCTOR 33UH		Q136	8-729-117-54	TRANSISTOR 2SA1175	
L201	1-408-245-00	MICRO INDUCTOR 22MMH		Q137	8-729-117-54	TRANSISTOR 2SA1175	
L202	1-408-163-00	MICRO INDUCTOR 5.6MMH		Q138	8-729-117-54	TRANSISTOR 2SA1175	
L203	1-408-414-00	MICRO INDUCTOR 27UH		Q139	8-729-178-54	TRANSISTOR 2SC2785	
L204	1-408-421-00	MICRO INDUCTOR 100UH		Q140	8-729-117-54	TRANSISTOR 2SA1175	
<u>TRANSISTOR</u>				Q141	8-729-117-54	TRANSISTOR 2SA1175	
Q001	8-729-178-54	TRANSISTOR 2SC2785		Q142	8-729-117-54	TRANSISTOR 2SA1175	
Q002	8-729-117-54	TRANSISTOR 2SA1175		Q143	8-729-117-54	TRANSISTOR 2SA1175	
Q003	8-729-117-54	TRANSISTOR 2SA1175		Q144	8-729-178-54	TRANSISTOR 2SC2785	
Q004	8-729-117-54	TRANSISTOR 2SA1175		Q145	8-729-178-54	TRANSISTOR 2SC2785	
Q005	8-729-178-54	TRANSISTOR 2SC2785		Q148	8-729-178-54	TRANSISTOR 2SC2785	
Q006	8-729-117-54	TRANSISTOR 2SA1175		Q149	8-729-117-54	TRANSISTOR 2SA1175	
Q007	8-729-117-54	TRANSISTOR 2SA1175		Q150	8-729-117-54	TRANSISTOR 2SA1175	
Q008	8-729-178-54	TRANSISTOR 2SC2785		Q151	8-729-178-54	TRANSISTOR 2SC2785	
Q009	8-729-117-54	TRANSISTOR 2SA1175		Q152	8-729-178-54	TRANSISTOR 2SC2785	
Q010	8-729-178-54	TRANSISTOR 2SC2785		Q153	8-729-178-54	TRANSISTOR 2SC2785	
Q011	8-729-178-54	TRANSISTOR 2SC2785		Q154	8-729-178-54	TRANSISTOR 2SC2785	
Q012	8-729-117-54	TRANSISTOR 2SA1175		Q155	8-729-178-54	TRANSISTOR 2SC2785	
Q101	8-729-178-54	TRANSISTOR 2SC2785		Q156	8-729-178-54	TRANSISTOR 2SC2785	
Q102	8-729-178-54	TRANSISTOR 2SC2785		Q157	8-729-178-54	TRANSISTOR 2SC2785	
Q103	8-729-178-54	TRANSISTOR 2SC2785		Q158	8-769-200-30	TRANSISTOR 2SK107-3	
<u>RESISTOR</u>				Q159	8-729-117-54	TRANSISTOR 2SA1175	
JW5	1-247-717-11	CARBON					
R002	1-249-417-11	CARBON					

For Service Manuals Contact
MAURITRON TECHNICAL SERVICES
 8 Cherry Tree Rd, Chinnor
 Oxon OX9 4QY
 Tel: 01844-351694 Fax: 01844-352554
 Email: enquiries@mauritron.co.uk

B

Ref.No.	Part No.	Description	Remark	Ref.No.	Part No.	Description	Remark
R003	1-249-434-11	CARBON	27K 5% 1/6W	R102	1-249-409-11	CARBON	220 5% 1/6W
R004	1-249-424-11	CARBON	3.9K 5% 1/6W	R103	1-249-418-11	CARBON	1.2K 5% 1/6W
R005	1-249-421-11	CARBON	2.2K 5% 1/6W	R104	1-249-411-11	CARBON	330 5% 1/6W
R006	1-249-439-11	CARBON	68K 5% 1/6W	R105	1-249-415-11	CARBON	680 5% 1/6W
R007	1-249-433-11	CARBON	22K 5% 1/6W	R106	1-249-423-11	CARBON	3.3K 5% 1/6W
R009	1-215-440-00	CARBON	6.2K 5% 1/6W	R107	1-249-426-11	CARBON	5.6K 5% 1/6W
R010	1-215-440-00	CARBON	6.2K 5% 1/6W	R108	1-249-429-11	CARBON	10K 5% 1/6W
R011	1-215-440-00	CARBON	6.2K 5% 1/6W	R109	1-249-413-11	CARBON	470 5% 1/6W
R012	1-249-437-11	CARBON	47K 5% 1/6W	R110	1-249-413-11	CARBON	470 5% 1/6W
R013	1-249-440-11	CARBON	82K 5% 1/6W	R111	1-249-421-11	CARBON	2.2K 5% 1/6W
R014	1-247-885-00	CARBON	180K 5% 1/6W	R112	1-249-415-11	CARBON	680 5% 1/6W
R015	1-249-438-11	CARBON	56K 5% 1/6W	R113	1-249-410-11	CARBON	270 5% 1/6W
R016	1-249-417-11	CARBON	1K 5% 1/6W	R114	1-249-415-11	CARBON	680 5% 1/6W
R017	1-215-394-00	CARBON	75 5% 1/6W	R115	1-249-419-11	CARBON	1.5K 5% 1/6W
R019	1-215-394-00	CARBON	75 5% 1/6W	R116	1-249-403-11	CARBON	68 5% 1/6W
R020	1-249-434-11	CARBON	27K 5% 1/6W	R117	1-249-415-11	CARBON	680 5% 1/6W
R021	1-249-424-11	CARBON	3.9K 5% 1/6W	R118	1-249-415-11	CARBON	680 5% 1/6W
R022	1-249-433-11	CARBON	22K 5% 1/6W	R119	1-249-405-11	CARBON	100 5% 1/6W
R023	1-249-439-11	CARBON	68K 5% 1/6W	R120	1-249-415-11	CARBON	680 5% 1/6W
R024	1-215-440-00	CARBON	6.2K 5% 1/6W	R121	1-249-415-11	CARBON	680 5% 1/6W
R025	1-249-437-11	CARBON	47K 5% 1/6W	R122	1-249-405-11	CARBON	100 5% 1/6W
R026	1-249-438-11	CARBON	56K 5% 1/6W	R123	1-249-417-11	CARBON	1K 5% 1/6W
R027	1-249-440-11	CARBON	82K 5% 1/6W	R124	1-249-413-11	CARBON	470 5% 1/6W
R028	1-247-885-00	CARBON	180K 5% 1/6W	R125	1-249-417-11	CARBON	1K 5% 1/6W
R029	1-249-429-11	CARBON	10K 5% 1/6W	R126	1-249-405-11	CARBON	100 5% 1/6W
R030	1-247-885-00	CARBON	180K 5% 1/6W	R127	1-249-415-11	CARBON	680 5% 1/6W
R031	1-249-440-11	CARBON	82K 5% 1/6W	R128	1-247-814-00	CARBON	200 5% 1/6W
R032	1-249-437-11	CARBON	47K 5% 1/6W	R129	1-249-419-11	CARBON	1.5K 5% 1/6W
R033	1-249-433-11	CARBON	22K 5% 1/6W	R130	1-249-415-11	CARBON	680 5% 1/6W
R034	1-249-439-11	CARBON	68K 5% 1/6W	R131	1-249-413-11	CARBON	470 5% 1/6W
R035	1-249-417-11	CARBON	1K 5% 1/6W	R132	1-249-420-11	CARBON	1.8K 5% 1/6W
R036	1-215-394-00	CARBON	75 5% 1/6W	R133	1-249-401-11	CARBON	470 5% 1/6W
R037	1-249-434-11	CARBON	27K 5% 1/6W	R135	1-249-409-11	CARBON	220 5% 1/6W
R038	1-249-424-11	CARBON	3.9K 5% 1/6W	R136	1-249-421-11	CARBON	2.2K 5% 1/6W
R039	1-215-440-00	CARBON	6.2K 5% 1/6W	R137	1-249-432-11	CARBON	18K 5% 1/6W
R040	1-249-439-11	CARBON	68K 5% 1/6W	R138	1-249-423-11	CARBON	3.3K 5% 1/6W
R041	1-215-394-00	CARBON	75 5% 1/6W	R139	1-249-429-11	CARBON	10K 5% 1/6W
R042	1-249-434-11	CARBON	27K 5% 1/6W	R140	1-249-433-11	CARBON	22K 5% 1/6W
R043	1-215-468-00	CARBON	91K 5% 1/6W	R141	1-249-433-11	CARBON	22K 5% 1/6W
R045	1-249-429-11	CARBON	10K 5% 1/6W	R143	1-249-405-11	CARBON	100 5% 1/6W
R046	1-249-428-11	CARBON	8.2K 5% 1/6W	R144	1-249-433-11	CARBON	22K 5% 1/6W
R049	1-249-438-11	CARBON	56K 5% 1/6W	R145	1-249-433-11	CARBON	22K 5% 1/6W
R051	1-249-421-11	CARBON	2.2K 5% 1/6W	R147	1-249-419-11	CARBON	1.5K 5% 1/6W
R052	1-249-413-11	CARBON	470 5% 1/6W	R148	1-249-419-11	CARBON	1.5K 5% 1/6W
R053	1-249-437-11	CARBON	47K 5% 1/6W	R149	1-249-433-11	CARBON	22K 5% 1/6W
R054	1-249-437-11	CARBON	47K 5% 1/6W	R150	1-249-416-11	CARBON	820 5% 1/6W
R055	1-249-440-11	CARBON	82K 5% 1/6W	R151	1-249-413-11	CARBON	470 5% 1/6W
R056	1-249-460-11	CARBON	15K 5% 1/4W	R152	1-249-416-11	CARBON	820 5% 1/6W
R068	1-249-405-11	CARBON	100 5% 1/6W	R153	1-249-423-11	CARBON	3.3K 5% 1/6W
R070	1-246-457-00	CARBON	220 5% 1/4W	R154	1-249-433-11	CARBON	22K 5% 1/6W
R071	1-249-447-11	CARBON	1 5% 1/4W F	R155	1-249-429-11	CARBON	10K 5% 1/6W
R100	1-249-428-11	CARBON	8.2K 5% 1/6W	R156	1-249-435-11	CARBON	33K 5% 1/6W
R101	1-249-436-11	CARBON	39K 5% 1/6W	R157	1-249-435-11	CARBON	33K 5% 1/6W

B

Ref.No.	Part No.	Description	Remark	Ref.No.	Part No.	Description	Remark
R158	1-249-439-11	CARBON	68K 5% 1/6W	R218	1-249-429-11	CARBON	10K 5% 1/6W
R159	1-249-415-11	CARBON	680 5% 1/6W	R219	1-249-426-11	CARBON	5.6K 5% 1/6W
R160	1-249-436-11	CARBON	39K 5% 1/6W	R220	1-249-435-11	CARBON	33K 5% 1/6W
R161	1-249-429-11	CARBON	10K 5% 1/6W	R221	1-249-436-11	CARBON	39K 5% 1/6W
R162	1-249-437-11	CARBON	47K 5% 1/6W	R222	1-249-439-11	CARBON	68K 5% 1/6W
R165	1-215-493-00	CARBON	1M 5% 1/6W	R223	1-249-426-11	CARBON	5.6K 5% 1/6W
R167	1-249-419-11	CARBON	1.5K 5% 1/6W	R224	1-247-891-00	CARBON	330K 5% 1/6W
R168	1-249-435-11	CARBON	33K 5% 1/6W	R225	1-249-441-11	CARBON	100K 5% 1/6W
R170	1-249-431-11	CARBON	15K 5% 1/6W	R226	1-215-468-00	CARBON	91K 5% 1/6W
R171	1-249-441-11	CARBON	100K 5% 1/6W	R228	1-249-419-11	CARBON	1.5K 5% 1/6W
R173	1-249-425-11	CARBON	4.7K 5% 1/6W	R230	1-249-425-11	CARBON	4.7K 5% 1/6W
R176	1-247-887-00	CARBON	220K 5% 1/6W	R231	1-249-438-11	CARBON	56K 5% 1/6W
R177	1-249-441-11	CARBON	100K 5% 1/6W	R232	1-249-412-11	CARBON	390 5% 1/6W
R178	1-247-883-00	CARBON	150K 5% 1/6W	R233	1-249-409-11	CARBON	220 5% 1/6W
R179	1-249-439-11	CARBON	68K 5% 1/6W	R234	1-249-409-11	CARBON	220 5% 1/6W
R180	1-249-417-11	CARBON	1K 5% 1/6W	R235	1-249-413-11	CARBON	470 5% 1/6W
R181	1-249-429-11	CARBON	10K 5% 1/6W	R236	1-249-405-11	CARBON	100 5% 1/6W
R182	1-249-437-11	CARBON	47K 5% 1/6W	R237	1-249-409-11	CARBON	220 5% 1/6W
R183	1-249-423-11	CARBON	3.3K 5% 1/6W	R238	1-249-435-11	CARBON	33K 5% 1/6W
R184	1-249-418-11	CARBON	1.2K 5% 1/6W	R239	1-249-440-11	CARBON	82K 5% 1/6W
R185	1-249-440-11	CARBON	82K 5% 1/6W	R240	1-247-838-00	CARBON	2K 5% 1/6W
R186	1-249-413-11	CARBON	470 5% 1/6W	R241	1-249-433-11	CARBON	22K 5% 1/6W
R187	1-249-434-11	CARBON	27K 5% 1/6W	R242	1-215-444-00	CARBON	9.1K 5% 1/6W
R188	1-249-435-11	CARBON	33K 5% 1/6W	R243	1-249-430-11	CARBON	12K 5% 1/6W
R189	1-249-439-11	CARBON	68K 5% 1/6W	R244	1-249-423-11	CARBON	3.3K 5% 1/6W
R190	1-249-435-11	CARBON	33K 5% 1/6W	R245	1-249-426-11	CARBON	5.6K 5% 1/6W
R191	1-249-437-11	CARBON	47K 5% 1/6W	R246	1-249-429-11	CARBON	10K 5% 1/6W
R192	1-249-421-11	CARBON	2.2K 5% 1/6W	R247	1-249-431-11	CARBON	15K 5% 1/6W
R193	1-249-424-11	CARBON	3.9K 5% 1/6W	R248	1-249-421-11	CARBON	2.2K 5% 1/6W
R194	1-249-431-11	CARBON	15K 5% 1/6W	R249	1-249-437-11	CARBON	47K 5% 1/6W
R195	1-249-421-11	CARBON	2.2K 5% 1/6W	R250	1-247-885-00	CARBON	180K 5% 1/6W
R196	1-249-434-11	CARBON	27K 5% 1/6W	R251	1-249-426-11	CARBON	5.6K 5% 1/6W
R197	1-249-415-11	CARBON	680 5% 1/6W	R252	1-249-428-11	CARBON	8.2K 5% 1/6W
R198	1-249-415-11	CARBON	680 5% 1/6W	R253	1-249-423-11	CARBON	3.3K 5% 1/6W
R199	1-249-417-11	CARBON	1K 5% 1/6W	R254	1-249-429-11	CARBON	10K 5% 1/6W
R200	1-249-441-11	CARBON	100K 5% 1/6W	R255	1-249-417-11	CARBON	1K 5% 1/6W
R201	1-215-493-00	CARBON	1M 5% 1/6W	R256	1-249-428-11	CARBON	8.2K 5% 1/6W
R202	1-215-493-00	CARBON	1M 5% 1/6W	R258	1-249-421-11	CARBON	2.2K 5% 1/6W
R203	1-249-429-11	CARBON	10K 5% 1/6W	R259	1-249-428-11	CARBON	8.2K 5% 1/6W
R204	1-249-429-11	CARBON	10K 5% 1/6W	R260	1-249-439-11	CARBON	68K 5% 1/6W
R205	1-249-429-11	CARBON	10K 5% 1/6W	R261	1-249-429-11	CARBON	10K 5% 1/6W
R206	1-249-439-11	CARBON	68K 5% 1/6W	R262	1-249-441-11	CARBON	100K 5% 1/6W
R207	1-249-409-11	CARBON	220 5% 1/6W	R263	1-249-429-11	CARBON	10K 5% 1/6W
R208	1-249-429-11	CARBON	10K 5% 1/6W	R264	1-249-439-11	CARBON	68K 5% 1/6W
R209	1-249-435-11	CARBON	33K 5% 1/6W	R265	1-249-429-11	CARBON	10K 5% 1/6W
R210	1-249-409-11	CARBON	220 5% 1/6W	R266	1-249-429-11	CARBON	10K 5% 1/6W
R211	1-249-409-11	CARBON	220 5% 1/6W	R267	1-249-433-11	CARBON	22K 5% 1/6W
R212	1-249-424-11	CARBON	3.9K 5% 1/6W	R268	1-249-439-11	CARBON	68K 5% 1/6W
R213	1-249-409-11	CARBON	220 5% 1/6W	R269	1-249-429-11	CARBON	10K 5% 1/6W
R214	1-249-409-11	CARBON	220 5% 1/6W	R270	1-249-415-11	CARBON	680 5% 1/6W
R215	1-249-425-11	CARBON	4.7K 5% 1/6W	R271	1-249-469-11	CARBON	100K 5% 1/4W
R216	1-249-441-11	CARBON	100K 5% 1/6W	R272	1-246-517-25	CARBON	68K 5% 1/4W
R217	1-249-441-11	CARBON	100K 5% 1/6W	R273	1-202-463-00	SO.10	2.2M 10% 1/4W

For Service Manuals Contact
MAURITRON TECHNICAL SERVICES
 8 Cherry Tree Rd, Chinnor
 Oxon OX9 4QY
 Tel:- 01844-351694 Fax:- 01844-352554
 Email:- enquiries@mauritron.co.uk

B

Ref.No.	Part No.	Description	Remark	Ref.No.	Part No.	Description	Remark
R274	1-249-465-11	CARBON	47K 5% 1/4W	R337	1-249-439-11	CARBON	68K 5% 1/6W
R275	1-249-429-11	CARBON	10K 5% 1/6W	R338	1-249-429-11	CARBON	10K 5% 1/6W
R276	1-249-431-11	CARBON	15K 5% 1/6W	R339	1-249-421-11	CARBON	2.2K 5% 1/6W
R277	1-249-416-11	CARBON	820 5% 1/6W	R340	1-249-409-11	CARBON	220 5% 1/6W
R278	1-249-426-11	CARBON	5.6K 5% 1/6W	R341	1-249-429-11	CARBON	10K 5% 1/6W
R279	1-247-726-11	CARBON	33K 5% 1/4W	R342	1-249-422-11	CARBON	2.7K 5% 1/6W
R280	1-249-437-11	CARBON	47K 5% 1/6W	R343	1-249-417-11	CARBON	1K 5% 1/6W
R281	1-249-431-11	CARBON	15K 5% 1/6W	R344	1-249-417-11	CARBON	1K 5% 1/6W
R282	1-249-421-11	CARBON	2.2K 5% 1/8W	R345	1-249-422-11	CARBON	2.7K 5% 1/6W
R283	1-249-425-11	CARBON	4.7K 5% 1/6W	R346	1-249-422-11	CARBON	2.7K 5% 1/6W
R284	1-249-428-11	CARBON	8.2K 5% 1/6W	R347	1-249-424-11	CARBON	3.9K 5% 1/6W
R285	1-249-423-11	CARBON	3.3K 5% 1/6W	R348	1-249-430-11	CARBON	12K 5% 1/6W
R286	1-249-423-11	CARBON	3.3K 5% 1/6W	R349	1-249-429-11	CARBON	10K 5% 1/6W
R287	1-215-493-00	CARBON	1M 5% 1/6W	<u>VARIABLE RESISTOR</u>			
R288	1-249-441-11	CARBON	100K 5% 1/6W	RV101	1-226-845-00	RES, ADJ, CARBON	330
R290	1-249-429-11	CARBON	10K 5% 1/6W	RV103	1-226-849-00	RES, ADJ, CARBON	3.3K
R291	1-249-429-11	CARBON	10K 5% 1/6W	RV104	1-226-852-00	RES, ADJ, CARBON	22K
R292	1-249-447-11	CARBON	1 5% 1/4W	RV105	1-226-852-00	RES, ADJ, CARBON	22K
R293	1-249-422-11	CARBON	2.7K 5% 1/6W	RV106	1-226-849-00	RES, ADJ, CARBON	3.3K
R294	1-249-405-11	CARBON	100 5% 1/6W	RV107	1-228-724-00	RES, ADJ, CARBON	10K
R295	1-249-425-11	CARBON	4.7K 5% 1/6W	RV108	1-226-850-00	RES, ADJ, CARBON	4.7K
R296	1-249-469-11	CARBON	100K 5% 1/4W	RV109	1-226-850-00	RES, ADJ, CARBON	4.7K
R297	1-249-437-11	CARBON	47K 5% 1/6W	RV110	1-226-846-00	RES, ADJ, CARBON	470
R298	1-249-437-11	CARBON	47K 5% 1/6W	RV111	1-226-853-00	RES, ADJ, CARBON	47K
R299	1-249-413-11	CARBON	470 5% 1/6W	<u>SWITCH</u>			
R301	1-247-658-00	CARBON	47 5% 1/4W	S1	1-553-725-00	SWITCH, S.I.D.E	
R302	1-249-437-11	CARBON	47K 5% 1/6W	S2	1-553-725-00	SWITCH, S.I.D.E	
R303	1-249-417-11	CARBON	1K 5% 1/6W	S3	1-553-725-00	SWITCH, S.I.D.E	
R304	1-249-417-11	CARBON	1K 5% 1/6W	<u>TRANSFORMER</u>			
R305	1-249-417-11	CARBON	1K 5% 1/6W	T101	1-408-513-00	COIL (VARIABLE)	
R306	1-247-883-00	CARBON	150K 5% 1/6W	T102	1-409-193-00	COIL 3.58MHZ TRAP	
R307	1-249-411-11	CARBON	330 5% 1/6W	T103	1-409-193-00	COIL 3.58MHZ TRAP	
R308	1-249-434-11	CARBON	27K 5% 1/6W	T104	1-404-081-00	TRANSFORMER, DELAY ADJUST	
R309	1-249-409-11	CARBON	220 5% 1/6W	T201	1-404-146-00	TRANSFORMER	
R310	1-249-423-11	CARBON	3.3K 5% 1/6W	T202	1-408-532-00	COIL, VARIABLE	
R311	1-215-462-00	CARBON	51K 5% 1/6W	T203	1-408-532-00	COIL, VARIABLE	
R312	1-249-421-11	CARBON	2.2K 5% 1/6W	T204	1-408-513-00	COIL (VARIABLE)	
R313	1-249-425-11	CARBON	4.7K 5% 1/6W	<u>THERMISTOR</u>			
R314	1-249-435-11	CARBON	33K 5% 1/6W	TH101	1-800-070-XX	THERMISTOR TH-4700	
R315	1-249-419-11	CARBON	1.5K 5% 1/6W	TH201	1-800-626-00	THERMISTOR	
R316	1-249-419-11	CARBON	1.5K 5% 1/6W	<u>CRYSTAL</u>			
R317	1-247-711-11	CARBON	680 5% 1/4W	X101	1-567-505-11	OSCILLATOR, CRYSTAL	
R318	1-249-408-11	CARBON	180 5% 1/6W	X102	1-567-504-11	OSCILLATOR, CRYSTAL	
R319	1-249-413-11	CARBON	470 5% 1/6W				
R322	1-249-427-11	CARBON	6.8K 5% 1/6W				
R324	1-247-713-11	CARBON	1K 5% 1/4W				
R325	1-249-429-11	CARBON	10K 5% 1/6W				
R326	1-249-424-11	CARBON	3.9K 5% 1/6W				
R328	1-247-838-00	CARBON	2K 5% 1/6W				
R329	1-249-424-11	CARBON	3.9K 5% 1/6W				
R332	1-249-438-11	CARBON	56K 5% 1/6W				
R335	1-249-437-11	CARBON	47K 5% 1/6W				
R336	1-249-433-11	CARBON	22K 5% 1/6W				



Ref.No.	Part No.	Description	Remark	Ref.No.	Part No.	Description	Remark
*1-612-248-11	H BOARD	*****				DIODE	
*4-363-319-01	HO'DER (4 GANG), LED			D311	8-719-102-34	DIODE SG232D	
*4-370-916-01	HO'DER (5 GANG), LED			*****			
		DIODE		*1-612-243-11	F BOARD	*****	
D301	8-719-114-34	DIODE SY432D				CAPACITOR	
D302	8-719-114-34	DIODE SY432D		C681	1-136-346-11	MYLAR 0.22MF 20% 300V	
D303	8-719-114-34	DIODE SY432D		C682	1-136-346-11	MYLAR 0.22MF 20% 300V	
D304	8-719-114-34	DIODE SY432D		C683	1-161-738-00	CERAMIC 0.0047MF 20% 400V	
D305	8-719-114-34	DIODE SY432D		C684	1-161-738-00	CERAMIC 0.0047MF 20% 400V	
D306	8-719-100-15	DIODE RD3.0E-B2		C685	1-161-738-00	CERAMIC 0.0047MF 20% 400V	
D307	8-719-114-34	DIODE SY432D		C686	1-161-738-00	CERAMIC 0.0047MF 20% 400V	
D308	8-719-114-34	DIODE SY432D		C687	1-161-738-00	CERAMIC 0.0047MF 20% 400V	
D309	8-719-114-34	DIODE SY432D		C688	1-161-738-00	CERAMIC 0.0047MF 20% 400V	
D310	8-719-114-34	DIODE SY432D		C689	1-125-287-00	ELECT(BLOCK) 430MF 400V	
		TRANSISTOR		C691	1-102-085-00	CERAMIC 0.0047MF 500V	
Q301	8-729-178-54	TRANSISTOR 2SC2785				DIODE	
		RESISTOR		D681	8-719-911-55	DIODE U05G	
R301	1-215-436-00	CARBON 4.3K 5% 1/6W				CONNECTOR	
R302	1-215-458-00	CARBON 36K 5% 1/6W		F1	*1-506-348-XX	6P PLUG	
R303	1-215-442-00	CARBON 7.5K 5% 1/6W		F2	*1-508-765-00	3P PLUG (M)	
R304	1-249-429-11	CARBON 10K 5% 1/6W		F3	*1-508-765-00	3P PLUG (M)	
R305	1-249-417-11	CARBON 1K 5% 1/6W				FUSE	
R306	1-249-417-11	CARBON 1K 5% 1/6W		F601	△ 1-532-237-11	FUSE, TIME-LAG 3.15A/250V	
R307	1-249-417-11	CARBON 1K 5% 1/6W			1-533-087-00	HO'DER, FUSE; F601	
R308	1-249-435-11	CARBON 33K 5% 1/6W				RESISTOR	
R309	1-249-419-11	CARBON 1.5K 5% 1/6W		R681	1-214-947-00	METAL 2.7M 1% 1/2W	
		VARIABLE RESISTOR		R682	1-205-716-00	CEMENTED 100 5% 10W	
RV301	1-228-938-00	RES, VAR, CARBON 20K				TRANSFORMER	
RV302	1-228-936-00	RES, VAR, CARBON 10K		T651	1-421-352-00	TRANSFORMER, FERRITE	
RV303	1-228-938-00	RES, VAR, CARBON 20K		T652	1-421-352-00	TRANSFORMER, FERRITE	
RV304	1-228-938-00	RES, VAR, CARBON 20K				THERMISTOR	
RV305	1-228-937-00	RES, VAR, CARBON 20K		TH601	1-800-820-00	THERMISTOR, POWER	
RV306	1-228-937-00	RES, VAR, CARBON 20K		THP601	1-806-387-00	THERMISTOR (POSITIVE)	
RV307	1-228-938-00	RES, VAR, CARBON 20K		*****			
		SWITCH		*A-1275-050-A	Q BOARD, COMPLETE	*****	
S301	1-554-405-00	SWITCH, PUSH (5 KEY)		1-536-843-11	TERMINAL BOARD, INPUT/OUTPUT(B)		
S302	1-554-118-00	SWITCH, PUSH (1 KEY)		4-603-275-00	LOCK, SCREW		
S303	1-554-118-00	SWITCH, PUSH (1 KEY)					
S304	1-554-118-00	SWITCH, PUSH (1 KEY)					
S305	1-554-118-00	SWITCH, PUSH (1 KEY)					

*1-612-249-11	X BOARD	*****					
*4-345-701-00	HO'DER, LED						

For Service Manuals Contact
MAURITRON TECHNICAL SERVICES
 8 Cherry Tree Rd, Chinnor
 Oxon OX9 4QY
 Tel:- 01844-351694 Fax:- 01844-352554
 Email:- enquiries@mauritron.co.uk

The components identified by shading and mark △ are critical for safety. Replace only with part number specified.



Ref.No.	Part No.	Description	Remark	Ref.No.	Part No.	Description	Remark
<u>CAPACITOR</u>				<u>CONNECTOR</u>			
C402	1-123-356-00	ELECT	10MF 20% 25V	CN407	*1-562-243-00	CONNECTOR 25P	
C403	1-102-953-00	CERAMIC	18PF 5% 50V	Q1	*1-560-124-00	PUG, CONNECTOR (2.5MM) 4P	
C405	1-123-380-00	ELECT	1MF 20% 50V	Q2	*1-560-124-00	PUG, CONNECTOR (2.5MM) 4P	
C407	1-123-356-00	ELECT	10MF 20% 25V	Q3	*1-560-224-00	PUG, CONNECTOR (2.5MM) 10P	
C408	1-102-953-00	CERAMIC	18PF 5% 50V	Q4	*1-560-125-00	PUG, CONNECTOR (2.5MM) 5P	
C410	1-123-380-00	ELECT	1MF 20% 50V	Q5	*1-560-126-00	PUG, CONNECTOR (2.5MM) 6P	
C412	1-123-356-00	ELECT	10MF 20% 25V	Q7	*1-560-128-00	PUG, CONNECTOR (2.5MM PITCH)	
C413	1-102-953-00	CERAMIC	18PF 5% 50V	<u>DIODE</u>			
C415	1-123-380-00	ELECT	1MF 20% 50V	D401	8-719-911-19	DIODE 1SS119	
C417	1-123-332-00	ELECT	47MF 20% 25V	D402	8-719-911-19	DIODE 1SS119	
C419	1-106-383-00	MYLAR	0.047MF 10% 100V	D403	8-719-911-19	DIODE 1SS119	
C420	1-123-380-00	ELECT	1MF 20% 50V	D404	8-719-100-38	DIODE RD6.2E-B2	
C422	1-106-383-00	MYLAR	0.047MF 10% 100V	D405	8-719-100-38	DIODE RD6.2E-B2	
C423	1-123-380-00	ELECT	1MF 20% 50V	D406	8-719-100-38	DIODE RD6.2E-B2	
C424	1-123-332-00	ELECT	47MF 20% 25V	D407	8-719-100-38	DIODE RD6.2E-B2	
C426	1-123-234-00	ELECT	10MF 20% 50V	D408	8-719-911-19	DIODE 1SS119	
C428	1-123-234-00	ELECT	10MF 20% 50V	D409	8-719-911-19	DIODE 1SS119	
C430	1-123-234-00	ELECT	10MF 20% 50V	D410	8-719-911-19	DIODE 1SS119	
C432	1-123-332-00	ELECT	47MF 20% 25V	D411	8-719-911-19	DIODE 1SS119	
C433	1-123-356-00	ELECT	10MF 20% 25V	D412	8-719-911-19	DIODE 1SS119	
C434	1-102-773-00	CERAMIC	330PF 5% 50V	D414	8-719-911-19	DIODE 1SS119	
C435	1-123-332-00	ELECT	47MF 20% 25V	D415	8-719-911-19	DIODE 1SS119	
C436	1-101-006-00	CERAMIC	0.047MF 50V	D416	8-719-911-19	DIODE 1SS119	
C437	1-123-234-00	ELECT	10MF 20% 50V	D418	8-719-100-38	DIODE RD6.2E-B2	
C438	1-123-369-00	ELECT	4.7MF 20% 25V	D419	8-719-100-38	DIODE RD6.2E-B2	
C441	1-101-006-00	CERAMIC	0.047MF 50V	D420	8-719-911-19	DIODE 1SS119	
C443	1-106-383-00	MYLAR	0.047MF 10% 100V	D422	8-719-100-38	DIODE RD6.2E-B2	
C444	1-106-367-00	MYLAR	0.01MF 10% 100V	D423	8-719-100-23	DIODE RD4.3E-B2	
C446	1-123-380-00	ELECT	1MF 20% 50V	D424	8-719-911-19	DIODE 1SS119	
C447	1-123-380-00	ELECT	1MF 20% 50V	D425	8-719-100-38	DIODE RD6.2E-B2	
C448	1-123-380-00	ELECT	1MF 20% 50V	D426	8-719-100-38	DIODE RD6.2E-B2	
C452	1-123-382-00	ELECT	3.3MF 20% 50V	D427	8-719-100-38	DIODE RD6.2E-B2	
C453	1-123-228-00	ELECT	1MF 20% 50V	D428	8-719-100-38	DIODE RD6.2E-B2	
C455	1-101-006-00	CERAMIC	0.047MF 50V	D435	8-719-911-19	DIODE 1SS119	
C457	1-102-773-00	CERAMIC	330PF 5% 50V	D436	8-719-911-19	DIODE 1SS119	
C459	1-102-773-00	CERAMIC	330PF 5% 50V	D437	8-719-911-19	DIODE 1SS119	
C461	1-102-773-00	CERAMIC	330PF 5% 50V	<u>FUSE</u>			
C463	1-123-356-00	ELECT	10MF 20% 25V	F402	△ 1-532-078-11	FUSE, TIME-LAG 1A/250V	
C464	1-123-332-00	ELECT	47MF 20% 25V		1-533-087-00	HOLDER, FUSE; F402	
C466	1-123-332-00	ELECT	47MF 20% 25V	F404	△ 1-532-279-11	FUSE, TIME-LAG 0.5A/250V	
C467	1-101-006-00	CERAMIC	0.047MF 50V		1-533-087-00	HOLDER, FUSE; F404	
C468	1-101-006-00	CERAMIC	0.047MF 50V	<u>IC</u>			
C469	1-106-367-00	MYLAR	0.01MF 10% 100V	IC401	8-752-201-90	IC CX22019	
C489	1-123-332-00	ELECT	47MF 20% 25V	IC402	8-759-900-09	IC SN74LS09N	
C490	1-123-332-00	ELECT	47MF 20% 25V	IC403	8-759-901-36	IC SN74LS136N	
C491	1-123-332-00	ELECT	47MF 20% 25V	IC404	8-759-900-08	IC SN74LS08N	
C492	1-123-332-00	ELECT	47MF 20% 25V	IC405	8-759-900-08	IC SN74LS08N	
C493	1-102-766-00	CERAMIC	150PF 5% 50V	IC406	8-759-900-04	IC SN74LS04N	
C494	1-106-367-00	MYLAR	0.01MF 10% 100V				
C495	1-101-006-00	CERAMIC	0.047MF 50V				
C497	1-123-356-00	ELECT	10MF 20% 25V				

The components identified by shading and mark △ are critical for safety. Replace only with part number specified.

Q

Ref.No.	Part No.	Description	Remark	Ref.No.	Part No.	Description	Remark
IC407	8-759-900-00	IC SN74LS00N		Q450	8-729-117-54	TRANSISTOR 2SA1175	
IC408	8-759-900-20	IC SN74LS20N		Q451	8-729-178-54	TRANSISTOR 2SC2785	
IC409	8-759-901-38	IC SN74LS138N		Q452	8-729-117-54	TRANSISTOR 2SA1175	
REG401	8-759-171-05	IC UPC7805H		Q453	8-729-178-54	TRANSISTOR 2SC2785	
REG402	8-759-700-06	IC NJM7812B		Q454	8-729-117-54	TRANSISTOR 2SA1175	
<u>COIL</u>				Q455	8-729-178-54	TRANSISTOR 2SC2785	
L401	1-408-412-00	MICRO INDUCTOR 18UH		Q456	8-729-178-54	TRANSISTOR 2SC2785	
L402	1-408-412-00	MICRO INDUCTOR 18UH		Q457	8-729-117-54	TRANSISTOR 2SA1175	
L403	1-408-412-00	MICRO INDUCTOR 18UH		<u>RESISTOR</u>			
L407	1-408-163-00	MICRO INDUCTOR 5.6MMH		R351	1-249-429-11	CARBON 10K 5% 1/6W	
<u>TRANSISTOR</u>				R352	1-249-409-11	CARBON 220 5% 1/6W	
Q401	8-729-117-54	TRANSISTOR 2SA1175		R353	1-249-429-11	CARBON 10K 5% 1/6W	
Q402	8-729-178-54	TRANSISTOR 2SC2785		R354	1-249-409-11	CARBON 220 5% 1/6W	
Q403	8-729-117-54	TRANSISTOR 2SA1175		R355	1-249-405-11	CARBON 100 5% 1/6W	
Q404	8-729-178-54	TRANSISTOR 2SC2785		R356	1-247-711-11	CARBON 680 5% 1/4W	
Q405	8-729-117-54	TRANSISTOR 2SA1175		R357	1-247-711-11	CARBON 680 5% 1/4W	
Q406	8-729-178-54	TRANSISTOR 2SC2785		R358	1-249-415-11	CARBON 680 5% 1/6W	
Q407	8-729-117-54	TRANSISTOR 2SA1175		R359	1-249-415-11	CARBON 680 5% 1/6W	
Q408	8-729-117-54	TRANSISTOR 2SA1175		R361	1-247-711-11	CARBON 680 5% 1/4W	
Q409	8-729-178-54	TRANSISTOR 2SC2785		R362	1-247-711-11	CARBON 680 5% 1/4W	
Q410	8-729-117-54	TRANSISTOR 2SA1175		R364	1-249-415-11	CARBON 680 5% 1/6W	
Q411	8-729-178-54	TRANSISTOR 2SC2785		R365	1-247-711-11	CARBON 680 5% 1/4W	
Q412	8-729-178-54	TRANSISTOR 2SC2785		R366	1-246-457-00	CARBON 220 5% 1/4W	
Q413	8-729-178-54	TRANSISTOR 2SC2785		R367	1-246-457-00	CARBON 220 5% 1/4W	
Q414	8-729-117-54	TRANSISTOR 2SA1175		R368	1-249-429-11	CARBON 10K 5% 1/6W	
Q415	8-729-178-54	TRANSISTOR 2SC2785		R369	1-249-409-11	CARBON 220 5% 1/6W	
Q416	8-729-178-54	TRANSISTOR 2SC2785		R370	1-249-409-11	CARBON 220 5% 1/6W	
Q417	8-729-178-54	TRANSISTOR 2SC2785		R371	1-249-423-11	CARBON 3.3K 5% 1/6W	
Q418	8-729-117-54	TRANSISTOR 2SA1175		R372	1-247-719-11	CARBON 3.3K 5% 1/4W	
Q419	8-729-178-54	TRANSISTOR 2SC2785		R373	1-246-537-00	CARBON 470K 5% 1/4W	
Q420	8-729-178-54	TRANSISTOR 2SC2785		R374	1-249-437-11	CARBON 47K 5% 1/6W	
Q421	8-729-178-54	TRANSISTOR 2SC2785		R377	1-249-424-11	CARBON 3.9K 5% 1/6W	
Q422	8-729-178-54	TRANSISTOR 2SC2785		R378	1-249-429-11	CARBON 10K 5% 1/6W	
Q423	8-729-178-54	TRANSISTOR 2SC2785		R379	1-247-711-11	CARBON 680 5% 1/4W	
Q424	8-729-117-54	TRANSISTOR 2SA1175		R401	1-247-104-00	CARBON 75 5% 1/4W	
Q425	8-729-178-54	TRANSISTOR 2SC2785		R402	1-247-713-11	CARBON 1K 5% 1/4W	
Q426	8-729-178-54	TRANSISTOR 2SC2785		R403	1-215-468-00	CARBON 91K 5% 1/6W	
Q429	8-729-178-54	TRANSISTOR 2SC2785		R404	1-249-417-11	CARBON 1K 5% 1/6W	
Q430	8-729-117-54	TRANSISTOR 2SA1175		R405	1-249-434-11	CARBON 27K 5% 1/6W	
Q431	8-729-178-54	TRANSISTOR 2SC2785		R406	1-249-428-11	CARBON 8.2K 5% 1/6W	
Q433	8-729-117-54	TRANSISTOR 2SA1175		R407	1-249-417-11	CARBON 1K 5% 1/6W	
Q434	8-729-117-54	TRANSISTOR 2SA1175		R408	1-247-104-00	CARBON 75 5% 1/4W	
Q435	8-729-117-54	TRANSISTOR 2SA1175		R409	1-247-713-11	CARBON 1K 5% 1/4W	
Q442	8-729-178-54	TRANSISTOR 2SC2785		R410	1-215-468-00	CARBON 91K 5% 1/6W	
Q443	8-729-178-54	TRANSISTOR 2SC2785		R411	1-249-417-11	CARBON 1K 5% 1/6W	
Q444	8-729-178-54	TRANSISTOR 2SC2785		R412	1-249-434-11	CARBON 27K 5% 1/6W	
Q445	8-729-117-54	TRANSISTOR 2SA1175		R413	1-249-428-11	CARBON 8.2K 5% 1/6W	
Q446	8-729-117-54	TRANSISTOR 2SA1175		R414	1-249-417-11	CARBON 1K 5% 1/6W	
Q447	8-729-178-54	TRANSISTOR 2SC2785		R415	1-247-104-00	CARBON 75 5% 1/4W	
Q448	8-729-117-54	TRANSISTOR 2SA1175		R416	1-247-713-11	CARBON 1K 5% 1/4W	
Q449	8-729-178-54	TRANSISTOR 2SC2785		R417	1-215-468-00	CARBON 91K 5% 1/6W	
				R418	1-249-417-11	CARBON 1K 5% 1/6W	

For Service Manuals Contact
MAURITRON TECHNICAL SERVICES
8 Cherry Tree Rd, Chinnor
Oxon OX9 4QY
Tel:- 01844-351694 Fax:- 01844-352554
Email:- enquiries@mauritron.co.uk

Q

Ref.No.	Part No.	Description	Remark	Ref.No.	Part No.	Description	Remark
R419	1-249-434-11	CARBON	27K 5% 1/6W	R476	1-249-417-11	CARBON	1K 5% 1/6W
R420	1-249-428-11	CARBON	8.2K 5% 1/6W	R477	1-249-425-11	CARBON	4.7K 5% 1/6W
R421	1-249-417-11	CARBON	1K 5% 1/6W	R478	1-249-425-11	CARBON	4.7K 5% 1/6W
R422	1-249-466-11	CARBON	56K 5% 1/4W	R479	1-249-425-11	CARBON	4.7K 5% 1/6W
R423	1-247-885-00	CARBON	180K 5% 1/6W	R480	1-246-445-00	CARBON	68 5% 1/4W
R424	1-249-440-11	CARBON	82K 5% 1/6W	R481	1-247-717-11	CARBON	2.2K 5% 1/4W
R425	1-249-437-11	CARBON	47K 5% 1/6W	R482	1-249-421-11	CARBON	2.2K 5% 1/6W
R426	1-249-427-11	CARBON	6.8K 5% 1/6W	R483	1-249-405-11	CARBON	100 5% 1/6W
R427	1-249-425-11	CARBON	4.7K 5% 1/6W	R484	1-249-429-11	CARBON	10K 5% 1/6W
R428	1-249-466-11	CARBON	56K 5% 1/4W	R485	1-215-468-00	CARBON	91K 5% 1/6W
R429	1-247-885-00	CARBON	180K 5% 1/6W	R486	1-249-434-11	CARBON	27K 5% 1/6W
R430	1-249-440-11	CARBON	82K 5% 1/6W	R487	1-249-428-11	CARBON	8.2K 5% 1/6W
R431	1-249-437-11	CARBON	47K 5% 1/6W	R488	1-246-457-00	CARBON	220 5% 1/4W
R432	1-249-427-11	CARBON	6.8K 5% 1/6W	R489	1-247-721-11	CARBON	4.7K 5% 1/4W
R433	1-249-425-11	CARBON	4.7K 5% 1/6W	R490	1-249-419-11	CARBON	1.5K 5% 1/6W
R434	1-249-405-11	CARBON	100 5% 1/6W	R491	1-249-421-11	CARBON	2.2K 5% 1/6W
R435	1-249-441-11	CARBON	100K 5% 1/6W	R492	1-249-416-11	CARBON	820 5% 1/6W
R436	1-246-445-00	CARBON	68 5% 1/4W	R493	1-249-411-11	CARBON	330 5% 1/6W
R437	1-247-713-11	CARBON	1K 5% 1/4W	R494	1-249-425-11	CARBON	4.7K 5% 1/6W
R438	1-249-421-11	CARBON	2.2K 5% 1/6W	R495	1-249-433-11	CARBON	22K 5% 1/6W
R439	1-247-725-11	CARBON	10K 5% 1/4W	R496	1-249-437-11	CARBON	47K 5% 1/6W
R440	1-215-468-00	CARBON	91K 5% 1/6W	R497	1-249-429-11	CARBON	10K 5% 1/6W
R442	1-249-434-11	CARBON	27K 5% 1/6W	R499	1-249-405-11	CARBON	100 5% 1/6W
R443	1-249-428-11	CARBON	8.2K 5% 1/6W	R1401	1-249-417-11	CARBON	1K 5% 1/6W
R444	1-246-445-00	CARBON	68 5% 1/4W	R1402	1-249-417-11	CARBON	1K 5% 1/6W
R445	1-247-713-11	CARBON	1K 5% 1/4W	R1403	1-249-432-11	CARBON	18K 5% 1/6W
R446	1-249-421-11	CARBON	2.2K 5% 1/6W	R1404	1-249-424-11	CARBON	3.9K 5% 1/6W
R447	1-247-725-11	CARBON	10K 5% 1/4W	R1405	1-249-429-11	CARBON	10K 5% 1/6W
R448	1-215-468-00	CARBON	91K 5% 1/6W	R1406	1-249-417-11	CARBON	1K 5% 1/6W
R450	1-249-434-11	CARBON	27K 5% 1/6W	R1413	1-247-720-11	CARBON	3.9K 5% 1/4W
R451	1-249-428-11	CARBON	8.2K 5% 1/6W	R1414	1-247-708-11	CARBON	470 5% 1/4W
R452	1-246-445-00	CARBON	68 5% 1/4W	R1415	1-247-722-11	CARBON	5.6K 5% 1/4W
R453	1-247-713-11	CARBON	1K 5% 1/4W	R1417	1-249-413-11	CARBON	470 5% 1/6W
R454	1-249-421-11	CARBON	2.2K 5% 1/6W	R1419	1-249-419-11	CARBON	1.5K 5% 1/6W
R455	1-247-725-11	CARBON	10K 5% 1/4W	R1420	1-249-425-11	CARBON	4.7K 5% 1/6W
R456	1-215-468-00	CARBON	91K 5% 1/6W	R1421	1-249-417-11	CARBON	1K 5% 1/6W
R458	1-249-434-11	CARBON	27K 5% 1/6W	R1423	1-249-415-11	CARBON	680 5% 1/6W
R459	1-249-428-11	CARBON	8.2K 5% 1/6W	R1432	1-249-429-11	CARBON	10K 5% 1/6W
R460	1-247-700-11	CARBON	100 5% 1/4W	R1433	1-249-423-11	CARBON	3.3K 5% 1/6W
R461	1-249-421-11	CARBON	2.2K 5% 1/6W	R1434	1-215-438-00	CARBON	5.1K 5% 1/6W
R462	1-249-417-11	CARBON	1K 5% 1/6W	R1435	1-249-418-11	CARBON	1.2K 5% 1/6W
R463	1-249-424-11	CARBON	3.9K 5% 1/6W	R1436	1-249-436-11	CARBON	39K 5% 1/6W
R465	1-249-419-11	CARBON	1.5K 5% 1/6W	R1437	1-249-429-11	CARBON	10K 5% 1/6W
R466	1-249-411-11	CARBON	330 5% 1/6W	R1438	1-249-426-11	CARBON	5.6K 5% 1/6W
R467	1-249-416-11	CARBON	820 5% 1/6W	R1439	1-249-425-11	CARBON	4.7K 5% 1/6W
R468	1-249-419-11	CARBON	1.5K 5% 1/6W	R1441	1-249-433-11	CARBON	22K 5% 1/6W
R469	1-249-411-11	CARBON	330 5% 1/6W	R1442	1-215-491-00	CARBON	820K 5% 1/6W
R470	1-249-416-11	CARBON	820 5% 1/6W	R1443	1-215-491-00	CARBON	820K 5% 1/6W
R471	1-249-419-11	CARBON	1.5K 5% 1/6W	R1444	1-215-491-00	CARBON	820K 5% 1/6W
R472	1-249-411-11	CARBON	330 5% 1/6W	R1445	1-249-435-11	CARBON	33K 5% 1/6W
R473	1-249-416-11	CARBON	820 5% 1/6W	R1446	1-249-435-11	CARBON	33K 5% 1/6W
R474	1-249-425-11	CARBON	4.7K 5% 1/6W	R1447	1-246-527-00	CARBON	180K 5% 1/4W
R475	1-249-428-11	CARBON	8.2K 5% 1/6W	R1448	1-249-426-11	CARBON	5.6K 5% 1/6W



Ref.No.	Part No.	Description	Remark	Ref.No.	Part No.	Description	Remark
R1449	1-249-421-11	CARBON	2.2K 5% 1/6W	S403	1-553-725-00	SWITCH, S'IDE	
R1451	1-249-417-11	CARBON	1K 5% 1/6W	*****			
R1452	1-249-423-11	CARBON	3.3K 5% 1/6W		*A-1330-507-A	C1 BOARD, COMPLETE	
R1453	1-249-417-11	CARBON	1K 5% 1/6W			*****	
R1454	1-249-423-11	CARBON	3.3K 5% 1/6W		1-526-616-00	SOCKET, CRT	
R1455	1-249-421-11	CARBON	2.2K 5% 1/6W	<u>CAPACITOR</u>			
R1456	1-249-413-11	CARBON	470 5% 1/6W	C701	1-123-356-00	E'LECT	10MF 20% 25V
R1457	1-249-421-11	CARBON	2.2K 5% 1/6W	C702	1-102-002-00	CERAMIC	680PF 10% 500V
R1458	1-249-401-11	CARBON	47 5% 1/6W	C703	1-123-356-00	E'LECT	10MF 20% 25V
R1459	1-249-414-11	CARBON	560 5% 1/6W	C704	1-102-002-00	CERAMIC	680PF 10% 500V
R1460	1-249-397-11	CARBON	22 5% 1/6W	C705	1-123-356-00	E'LECT	10MF 20% 25V
R1461	1-249-421-11	CARBON	2.2K 5% 1/6W	C706	1-102-002-00	CERAMIC	680PF 10% 500V
R1462	1-249-413-11	CARBON	470 5% 1/6W	C707	1-123-356-00	E'LECT	10MF 20% 25V
R1463	1-249-421-11	CARBON	2.2K 5% 1/6W	C708	1-121-759-00	E'LECT	4.7MF 250V
R1464	1-249-401-11	CARBON	47 5% 1/6W	C709	1-102-038-00	CERAMIC	0.001MF 500V
R1465	1-249-414-11	CARBON	560 5% 1/6W	C710	1-106-387-00	MY'AR	0.1MF 10% 200V
R1466	1-249-397-11	CARBON	22 5% 1/6W	C711	1-123-356-00	E'LECT	10MF 20% 50V
R1467	1-249-421-11	CARBON	2.2K 5% 1/6W	C712	1-129-737-00	FI'M	0.047MF 20% 630V
R1468	1-249-413-11	CARBON	470 5% 1/6W	C713	1-102-249-00	CERAMIC	680PF 20% 2KV
R1469	1-249-421-11	CARBON	2.2K 5% 1/6W	C714	1-130-491-00	MY'AR	0.047MF 5% 50V
R1470	1-249-401-11	CARBON	47 5% 1/6W	<u>DIODE</u>			
R1471	1-249-414-11	CARBON	560 5% 1/6W	D701	8-719-300-76	DIODE RH1A	
R1472	1-249-397-11	CARBON	22 5% 1/6W	D702	8-719-300-76	DIODE RH1A	
R1473	1-249-428-11	CARBON	8.2K 5% 1/6W	D703	8-719-300-76	DIODE RH1A	
R1474	1-249-427-11	CARBON	6.8K 5% 1/6W	<u>COIL</u>			
R1475	1-249-429-11	CARBON	10K 5% 1/6W	L701	1-408-418-00	MICRO INDUCTOR	56UH
R1476	1-249-409-11	CARBON	220 5% 1/6W	L702	1-408-418-00	MICRO INDUCTOR	56UH
R1477	1-249-409-11	CARBON	220 5% 1/6W	L703	1-408-418-00	MICRO INDUCTOR	56UH
R1478	1-249-409-11	CARBON	220 5% 1/6W	L704	1-408-417-00	MICRO INDUCTOR	47UH
R1479	1-249-425-11	CARBON	4.7K 5% 1/6W	L705	1-407-780-00	COIL, SPOOK CHOKE	
R1480	1-249-425-11	CARBON	4.7K 5% 1/6W	L706	1-408-417-00	MICRO INDUCTOR	47UH
R1481	1-249-417-11	CARBON	1K 5% 1/6W	<u>NEON LAMP</u>			
R1482	1-249-429-11	CARBON	10K 5% 1/6W	N701	1-519-108-XX	LAMP, NEON ASSY	
R1483	1-249-429-11	CARBON	10K 5% 1/6W	<u>TRANSISTOR</u>			
R1484	1-247-725-11	CARBON	10K 5% 1/4W	Q701	8-729-178-54	TRANSISTOR	2SC2785
R1485	1-246-457-00	CARBON	220 5% 1/4W	Q702	8-729-326-11	TRANSISTOR	2SC2611
R1486	1-247-725-11	CARBON	10K 5% 1/4W	Q703	8-729-178-54	TRANSISTOR	2SC2785
R1487	1-246-457-00	CARBON	220 5% 1/4W	Q704	8-729-326-11	TRANSISTOR	2SC2611
R1488	1-247-725-11	CARBON	10K 5% 1/4W	Q705	8-729-178-54	TRANSISTOR	2SC2785
R1489	1-246-457-00	CARBON	220 5% 1/4W	Q706	8-729-326-11	TRANSISTOR	2SC2611
R1490	1-247-725-11	CARBON	10K 5% 1/4W	<u>RESISTOR</u>			
R1492	1-246-457-00	CARBON	220 5% 1/4W	R707	1-249-413-11	CARBON	470 5% 1/6W
<u>VARIABLE RESISTOR</u>				R708	1-247-793-00	CARBON	27 5% 1/6W
RV401	1-226-853-00	RES, ADJ, CARBON	47K	R709	1-249-421-11	CARBON	2.2K 5% 1/6W
RV402	1-226-852-00	RES, ADJ, CARBON	22K				
RV403	1-226-852-00	RES, ADJ, CARBON	22K				
RV404	1-226-852-00	RES, ADJ, CARBON	22K				
RV405	1-226-852-00	RES, ADJ, CARBON	22K				
<u>SWITCH</u>							
S401	1-553-725-00	SWITCH, S'IDE					
S402	1-553-725-00	SWITCH, S'IDE					

For Service Manuals Contact
MAURITRON TECHNICAL SERVICES
 8 Cherry Tree Rd, Chinnor
 Oxon OX9 4QY
 Tel: 01844-351694 Fax: 01844-352554
 Email: enquiries@mauritron.co.uk

C1 **C2** **D**

Ref.No.	Part.No.	Description	Remark	Ref.No.	Part No.	Description	Remark
R710	1-249-409-11	CARBON	220 5% 1/6W	R706	1-249-413-11	CARBON 470 5% 1/6W	
R711	1-249-397-11	CARBON	22 5% 1/6W			<u>VARIABLE RESISTOR</u>	
R712	1-206-749-00	META' OXIDE	10K 5% 3W F	RV701	1-226-819-00	RES, ADJ, CARBON 1K	
R713	1-249-413-11	CARBON	470 5% 1/6W	RV702	1-226-819-00	RES, ADJ, CARBON 1K	
R714	1-247-793-00	CARBON	27 5% 1/6W	RV703	1-226-921-00	RES, ADJ, CARBON 4.7K	
R715	1-249-421-11	CARBON	2.2K 5% 1/6W	RV704	1-226-921-00	RES, ADJ, CARBON 4.7K	
R716	1-249-409-11	CARBON	220 5% 1/6W	RV705	1-226-819-00	RES, ADJ, CARBON 1K	
R717	1-249-397-11	CARBON	22 5% 1/6W	RV706	1-226-819-00	RES, ADJ, CARBON 1K	
R718	1-206-749-00	META' OXIDE	10K 5% 3W F	RV707	1-226-921-00	RES, ADJ, CARBON 4.7K	
R719	1-249-413-11	CARBON	470 5% 1/6W	RV708	1-226-921-00	RES, ADJ, CARBON 4.7K	
R720	1-247-793-00	CARBON	27 5% 1/6W	RV709	1-226-819-00	RES, ADJ, CARBON 1K	
R721	1-249-421-11	CARBON	2.2K 5% 1/6W	RV710	1-226-819-00	RES, ADJ, CARBON 1K	
R722	1-249-409-11	CARBON	220 5% 1/6W	RV711	1-226-921-00	RES, ADJ, CARBON 4.7K	
R723	1-249-397-11	CARBON	22 5% 1/6W	RV712	1-226-921-00	RES, ADJ, CARBON 4.7K	
R724	1-206-749-00	META' OXIDE	10K 5% 3W F			<u>SWITCH</u>	
R725	1-202-824-00	SO' ID	3.3K 1/2W	S701	1-554-974-11	SWITCH, S' IDE	
R726	1-202-824-00	SO' ID	3.3K 1/2W			*****	
R727	1-202-824-00	SO' ID	3.3K 1/2W	*A-1345-455-A	D BOARD, COMPLETE	*****	
R728	1-202-549-00	SO' ID	100 10% 1/2W	4-363-414-00	SPACER, MICA		
R729	1-202-837-00	SO' ID	82K 1/2W	*4-367-226-00	HOLDER, H OUT		
R730	1-202-846-00	SO' ID	470K 1/2W	7-685-647-79	SCREW, TAPPING		
R731	1-202-814-11	SO' ID	33K 1/2W			<u>CAPACITOR</u>	
R732	1-202-815-11	SO' ID	47K 1/2W	C501	1-123-381-00	E'LECT 2.2MF 20% 50V	
R733	1-202-846-00	SO' ID	470K 1/2W	C502	1-123-369-00	E'LECT 4.7MF 20% 50V	
R734	1-202-719-00	SO' ID	1M 10% 1/2W	C503	1-106-343-00	MYLAR 0.001MF 5% 50V	
R735	1-202-842-11	SO' ID	220K 1/2W	C504	1-106-347-00	MYLAR 0.0015MF 5% 50V	
R736	1-247-694-11	CARBON	33 5% 1/4W	C505	1-102-115-00	CERAMIC 560PF 10% 50V	
R737	1-246-525-00	CARBON	150K 5% 1/4W	C506	1-102-973-00	CERAMIC 100PF 5% 50V	
R738	1-249-399-11	CARBON	33 5% 1/6W	C507	1-106-381-12	MYLAR 0.039MF 10% 100V	
R739	1-202-844-00	SO' ID	330K 1/2W	C508	1-123-380-00	E'LECT 1MF 20% 50V	
		<u>VARIABLE RESISTOR</u>		C509	1-106-367-00	MYLAR 0.01MF 10% 100V	
RV713	1-226-114-00	RES, ADJ, META' GLAZE 2.2M		C510	1-123-382-00	E'LECT 3.3MF 20% 50V	
RV714	1-226-063-00	RES, ADJ, CARBON 2.2M		C511	1-123-379-00	E'LECT 0.47MF 20% 50V	
		<u>SPARK GAP</u>		C512	1-131-373-00	TANTALUM 22MF 20% 16V	
SG701	1-519-063-XX	DISCHARGING GAP		C513	1-136-173-00	FILM 0.47MF 5% 50V	
SG702	1-519-063-XX	DISCHARGING GAP		C514	1-131-369-00	TANTALUM 4.7MF 20% 16V	
SG703	1-519-063-XX	DISCHARGING GAP		C515	1-123-356-00	E'LECT 10MF 20% 25V	
SG704	1-519-063-XX	DISCHARGING GAP		C516	1-106-375-12	MYLAR 0.022MF 10% 100V	
SG705	1-519-063-XX	DISCHARGING GAP		C517	1-130-491-00	MYLAR 0.047MF 5% 50V	
		*****		C518	1-123-321-00	E'LECT 220MF 20% 16V	
*1-612-246-11	C2 BOARD	*****		C519	1-102-989-00	CERAMIC 68PF 5% 500V	
*1-560-278-00	PLUG, CONNECTOR 8P			C520	1-106-375-12	MYLAR 0.022MF 10% 100V	
		<u>RESISTOR</u>		C521	1-106-375-12	MYLAR 0.022MF 10% 100V	
R701	1-249-421-11	CARBON	2.2K 5% 1/6W	C522	1-106-375-12	MYLAR 0.022MF 10% 100V	
R702	1-247-826-00	CARBON	620 5% 1/6W	C523	1-106-351-00	MYLAR 0.0022MF 5% 100V	
R703	1-249-421-11	CARBON	2.2K 5% 1/6W	C524	1-129-794-00	FILM 0.0033MF 5% 100V	
R704	1-249-414-11	CARBON	560 5% 1/6W				
R705	1-249-421-11	CARBON	2.2K 5% 1/6W				



Ref.No.	Part No.	Description	Remark	Ref.No.	Part No.	Description	Remark
C526	1-123-381-00	ELECT	2.2MF 20% 50V	C807	1-123-332-00	ELECT	47MF 20% 16V
C527	1-123-381-00	ELECT	2.2MF 20% 50V	C808	1-123-228-00	ELECT	1MF 20% 50V
C528	1-101-006-00	CERAMIC	0.047MF 50V	C809	1-123-333-00	ELECT	100MF 20% 16V
C531	1-123-381-00	ELECT	2.2MF 20% 50V	C810	1-123-336-00	ELECT	470MF 20% 25V
C532	1-123-334-00	ELECT	220MF 20% 25V	C811	1-101-006-00	CERAMIC	0.047MF 50V
C533	1-123-335-00	ELECT	330MF 20% 25V	C813	1-106-395-00	MYLAR	0.15MF 10% 200V
C534	1-123-379-00	ELECT	0.47MF 20% 50V	C815	1-123-356-00	ELECT	10MF 20% 16V
C535	1-106-383-00	MYLAR	0.047MF 10% 200V	C899	1-101-006-00	CERAMIC	0.047MF 50V
C536	1-101-810-00	CERAMIC	100PF 5% 500V	<u>CONNECTOR</u>			
C537	1-106-343-00	MYLAR	0.001MF 10% 100V	D1	*1-560-126-00	PLUG, CONNECTOR (2.5MM) 6P	
C538	1-161-961-00	CERAMIC	0.0022MF 10% 3KV	D2	*1-560-126-00	PLUG, CONNECTOR (2.5MM) 6P	
C539	1-106-216-00	MYLAR	0.068MF 10% 100V	D3	*1-560-126-00	PLUG, CONNECTOR (2.5MM) 6P	
C540	1-136-139-00	FILM	0.012MF 3% 2KV	D4	*1-560-126-00	PLUG, CONNECTOR (2.5MM) 6P	
C541	1-129-745-00	FILM	0.033MF 10% 400V	D5	*1-508-767-00	5P PLUG	
C542	1-102-223-00	CERAMIC	0.0047MF 10% 2KV	D6	*1-564-038-00	CONNECTOR PLUG, DY (MINI) 6P	
C543	1-123-254-00	ELECT	10MF 250V	D7	*1-560-290-00	PLUG, CONNECTOR (2.5MM PITCH)	
C544	1-102-038-00	CERAMIC	0.001MF 500V	D8	*1-560-124-00	PLUG, CONNECTOR (2.5MM) 4P	
C545	1-123-333-00	ELECT	100MF 20% 25V	D9	*1-560-290-00	PLUG, CONNECTOR (2.5MM PITCH)	
C546	1-102-038-00	CERAMIC	0.001MF 500V	<u>DIODE</u>			
C547	1-136-111-00	FILM	1MF 5% 200V	D501	8-719-102-60	DIODE RD3.9E-N2	
C548	1-106-387-00	MYLAR	0.1MF 10% 200V	D502	8-719-911-19	DIODE 1SS119	
C549	1-136-113-00	FILM	2MF 5% 200V	D504	8-719-911-19	DIODE 1SS119	
C550	1-129-943-00	FILM	0.68MF 10% 400V	D509	8-719-305-15	DIODE GH3F	
C551A	1-123-332-00	ELECT	47MF 20% 16V	D510	8-719-928-08	DIODE ERD28-08S	
C552A	1-123-332-00	ELECT	47MF 20% 16V	D511	8-719-903-09	DIODE V30N	
C553	1-106-367-00	MYLAR	0.01MF 10% 100V	D512	8-719-918-77	DIODE V19G	
C554	1-123-333-00	ELECT	100MF 20% 25V	D513	8-719-918-77	DIODE V19G	
C555	1-102-228-00	CERAMIC	470PF 10% 500V	D514	8-719-911-55	DIODE U05G	
C556	1-123-360-00	ELECT	100MF 20% 50V	D515	8-719-918-77	DIODE V19G	
C557	1-106-375-12	MYLAR	0.022MF 10% 100V	D516	8-719-911-19	DIODE 1SS119	
C559	1-123-330-00	ELECT	22MF 20% 16V	D517A	8-719-911-55	DIODE U05G	
C560	1-106-379-12	MYLAR	0.033MF 10% 100V	D518A	8-719-911-55	DIODE U05G	
C562	1-123-332-00	ELECT	47MF 20% 16V	D519	8-719-911-55	DIODE U05G	
C563	1-123-332-00	ELECT	47MF 20% 16V	D520	8-719-911-19	DIODE 1SS119	
C566	1-106-343-00	MYLAR	0.001MF 5% 50V	D521	8-719-911-19	DIODE 1SS119	
C567	1-101-006-00	CERAMIC	0.047MF 50V	D524	8-719-911-19	DIODE 1SS119	
C568	1-123-321-00	ELECT	220MF 20% 16V	D525	8-719-102-84	DIODE RD8.2E-N2	
C569	1-106-367-00	MYLAR	0.01MF 10% 100V	D526	8-719-911-19	DIODE 1SS119	
C570	1-106-367-00	MYLAR	0.01MF 10% 100V	D801	8-719-022-21	DIODE 1T-22A	
C571	1-101-006-00	CERAMIC	0.047MF 50V	D802	8-719-022-21	DIODE 1T-22A	
C572	1-101-006-00	CERAMIC	0.047MF 50V	<u>IC</u>			
C573A	1-123-369-00	ELECT	4.7MF 20% 50V	IC501	8-759-100-60	IC UPC1377C	
C573B	1-123-369-00	ELECT	4.7MF 20% 50V	IC502	8-759-979-16	IC CX7916	
C575	1-123-024-00	ELECT	33MF 160V	IC504	8-759-145-58	IC UPC4558C	
C597	1-102-074-00	CERAMIC	0.001MF 10% 50V	IC505	8-759-105-82	IC UPC1378H-P	
C598	1-102-074-00	CERAMIC	0.001MF 10% 50V	IC801	8-759-905-39	IC TDA1082	
C599	1-126-234-11	ELECT	2200MF 20% 16V	IC802	8-759-145-58	IC UPC4558C	
C801	1-123-369-00	ELECT	4.7MF 20% 50V				
C802	1-123-369-00	ELECT	4.7MF 20% 50V				
C803	1-130-489-00	MYLAR	0.033MF 5% 50V				
C804	1-124-192-00	ELECT	4.7MF 20% 50V				
C805	1-106-357-00	MYLAR	0.0039MF 10% 100V				
C806	1-123-380-00	ELECT	1MF 20% 50V				

For Service Manuals Contact
MAURITRON TECHNICAL SERVICES
 8 Cherry Tree Rd, Chinnor
 Oxon OX9 4QY
 Tel: 01844-351694 Fax: 01844-352554
 Email: enquiries@mauratron.co.uk

D

Ref.No.	Part No.	Description	Remark	Ref.No.	Part No.	Description	Remark
<u>COIL</u>							
'501	1-408-242-00	MICRO INDUCTOR 10MMH		R523	1-249-413-11	CARBON 470 5% 1/6W	
'502	1-407-780-00	COIL, SPOOK CHOKE		R524	1-249-426-11	CARBON 5.6K 5% 1/6W	
'503	1-407-365-00	COIL, CHOKE		R525	1-249-419-11	CARBON 1.5K 5% 1/6W	
'504	1-459-390-00	COIL (WITH CORE)		R526	1-249-427-11	CARBON 6.8K 5% 1/6W	
'505	1-421-368-00	COIL, VAR FERRITE (HLC)		R527	1-249-430-11	CARBON 12K 5% 1/6W	
'506	1-408-239-00	MICRO INDUCTOR 4.7MMH		R528	1-249-425-11	CARBON 4.7K 5% 1/6W	
'507	1-459-104-00	COIL, DUST CORE		R529	1-215-484-00	METAL 430K 1% 1/6W	
'509	1-421-329-00	COIL, CHOKE		R530	1-215-463-00	METAL 56K 1% 1/6W	
'801	1-459-075-00	COIL, DYNAMIC CONVERSION CHOKE		R531	1-249-419-11	CARBON 1.5K 5% 1/6W	
'802	1-459-338-00	COIL, VAR, FERRITE (PAC)		R532	1-246-992-00	CARBON 180 5% 1/8W F	
<u>TRANSISTOR</u>							
Q501	8-729-384-46	TRANSISTOR 2SA844-C		R533	1-249-427-11	CARBON 6.8K 5% 1/8W	
Q502	8-729-178-54	TRANSISTOR 2SC2785		R534	1-249-419-11	CARBON 1.5K 5% 1/6W	
Q503	8-729-900-36	TRANSISTOR DTC124ES		R535	1-215-456-00	METAL 30K 1% 1/6W	
Q504	8-729-900-36	TRANSISTOR DTC124ES		R536	1-249-430-11	CARBON 12K 5% 1/6W	
Q505	8-729-900-36	TRANSISTOR DTC124ES		R537	1-249-441-11	CARBON 100K 5% 1/6W	
Q506	8-729-900-36	TRANSISTOR DTC124ES		R538	1-249-425-11	CARBON 4.7K 5% 1/6W	
Q507	8-729-900-63	TRANSISTOR DTA124ES		R540	1-249-431-11	CARBON 15K 5% 1/6W	
Q508	8-729-168-82	TRANSISTOR 2SC2688		R548	1-249-408-11	CARBON 180 5% 1/6W	
Q509	8-729-800-87	TRANSISTOR 2SD1398		R549	1-246-991-00	CARBON 150 5% 1/8W F	
Q510	8-729-178-54	TRANSISTOR 2SC2785		R550	1-249-429-11	CARBON 10K 5% 1/6W	
Q512	8-729-177-43	TRANSISTOR 2SD774		R551	1-249-406-11	CARBON 120 5% 1/6W	
Q801	8-729-313-42	TRANSISTOR 2SD1134		R552	1-249-429-11	CARBON 10K 5% 1/6W	
Q802	8-729-178-54	TRANSISTOR 2SC2785		R553	1-205-642-00	CEMENTED 3.3K 10% 5W	
Q803	8-729-178-54	TRANSISTOR 2SC2785		R554	1-249-420-11	CARBON 1.8K 5% 1/8W F	
Q804	8-729-117-54	TRANSISTOR 2SA1175		R555	1-249-417-11	CARBON 1K 5% 1/6W	
Q805	8-729-178-54	TRANSISTOR 2SC2785		R556	1-247-636-00	CARBON 0.47 5% 1/8W F	
Q806	8-729-178-54	TRANSISTOR 2SC2785		R557	1-247-636-00	CARBON 0.47 5% 1/8W F	
Q850	8-729-384-46	TRANSISTOR 2SA844-C		R558	1-217-407-00	FUSIBLE 470 1/4W F	
<u>RESISTOR</u>							
R501	1-249-419-11	CARBON 1.5K 5% 1/6W		R559	1-246-979-00	CARBON 1.2 5% 1/8W F	
R502	1-249-410-11	CARBON 270 5% 1/6W		R560	1-202-597-00	SO'ID 10K 10% 1/2W	
R503	1-249-413-11	CARBON 470 5% 1/6W		R561	1-249-468-11	CARBON 82K 5% 1/4W	
R504	1-249-417-11	CARBON 1K 5% 1/6W		R562	1-249-468-11	CARBON 82K 5% 1/4W	
R505	1-249-429-11	CARBON 10K 5% 1/6W		R563	1-213-141-00	METAL OXIDE 680 5% 1W F	
R506	1-249-421-11	CARBON 2.2K 5% 1/6W		R564	1-215-862-11	METAL OXIDE 68 5% 1W F	
R507	1-249-418-11	CARBON 1.2K 5% 1/6W		R565	1-212-371-00	METAL OXIDE 8.2 5% 1W F	
R508	1-249-419-11	CARBON 1.5K 5% 1/6W		R566	1-215-479-00	CARBON 270K 5% 1/6W	
R509	1-249-421-11	CARBON 2.2K 5% 1/6W		R567	1-215-493-00	CARBON 1M 5% 1/6W	
R510	1-249-434-11	CARBON 27K 5% 1/6W		R568	1-213-136-00	METAL OXIDE 270 5% 1W F	
R511	1-215-457-00	METAL 33K 1% 1/6W		R569	1-213-138-00	METAL OXIDE 390 5% 1W F	
R512	1-249-440-11	CARBON 82K 5% 1/6W		R570	1-247-743-11	CARBON 220 5% 1/2W	
R513	1-249-429-11	CARBON 10K 5% 1/6W		R571	1-249-433-11	CARBON 22K 5% 1/6W	
R514	1-214-783-00	METAL 180K 1% 1/4W		R572	1-249-434-11	CARBON 27K 5% 1/6W	
R515	1-215-463-00	METAL 56K 1% 1/6W		R573	1-249-423-11	CARBON 3.3K 5% 1/6W	
R518	1-215-478-00	METAL 240K 1% 1/6W		R574	1-249-437-11	CARBON 47K 5% 1/6W	
R519	1-215-463-00	METAL 56K 1% 1/6W		R575	1-249-441-11	CARBON 100K 5% 1/6W	
R520	1-249-411-11	CARBON 330 5% 1/6W		R577	1-249-429-11	CARBON 10K 5% 1/6W	
R521	1-249-415-11	CARBON 680 5% 1/6W		R578	1-215-459-00	METAL 39K 1% 1/6W	
R522	1-249-415-11	CARBON 680 5% 1/6W		R579	1-215-475-00	METAL 180K 1% 1/6W	
				R580	1-247-718-11	CARBON 2.7K 5% 1/4W	
				R581	1-247-718-11	CARBON 2.7K 5% 1/4W	
				R582	1-249-418-11	CARBON 1.2K 5% 1/6W	
				R583	1-249-417-11	CARBON 1K 5% 1/6W	
				R584	1-249-439-11	CARBON 68K 5% 1/6W	



Ref.No.	Part No.	Description	Remark	Ref.No.	Part No.	Description	Remark
R585	1-249-438-11	CARBON	56K 5% 1/6W				
R586	1-215-493-00	METAL	1M 1% 1/6W				
R587	1-249-429-11	CARBON	10K 5% 1/6W				
R588	1-249-440-11	CARBON	82K 5% 1/6W				
R589	1-249-440-11	CARBON	82K 5% 1/6W				
R596	1-212-373-00	METAL OXIDE	12 5% 1W				F
R597	1-215-373-31	METAL	10 1% 1/6W				
R598	1-249-429-11	CARBON	10K 5% 1/6W				
R599	1-249-439-11	CARBON	68K 5% 1/6W				
R800	1-249-435-11	CARBON	33K 5% 1/6W				
R802	1-249-433-11	CARBON	22K 5% 1/6W				
R803	1-246-991-00	CARBON	150 5% 1/8W				F
R805	1-249-409-11	CARBON	220 5% 1/6W				
R806	1-249-439-11	CARBON	68K 5% 1/6W				
R807	1-249-432-11	CARBON	18K 5% 1/6W				
R809	1-249-435-11	CARBON	33K 5% 1/6W				
R810	1-249-424-11	CARBON	3.9K 5% 1/6W				
R811	1-249-435-11	CARBON	33K 5% 1/6W				
R812	1-249-433-11	CARBON	22K 5% 1/6W				
R813	1-249-424-11	CARBON	3.9K 5% 1/6W				
R814	1-249-436-11	CARBON	39K 5% 1/6W				
R815	1-249-434-11	CARBON	27K 5% 1/6W				
R816	1-249-417-11	CARBON	1K 5% 1/6W				
R817	1-249-417-11	CARBON	1K 5% 1/6W				
R818	1-249-433-11	CARBON	22K 5% 1/6W				
R820	1-249-416-11	CARBON	820 5% 1/6W				
R821	1-249-411-11	CARBON	330 5% 1/6W				
R822	1-249-435-11	CARBON	33K 5% 1/6W				
R823	1-249-427-11	CARBON	6.8K 5% 1/6W				
R825	1-212-363-00	METAL OXIDE	1.8 5% 1W				F
R828	1-249-425-11	CARBON	4.7K 5% 1/6W				
R829	1-249-429-11	CARBON	10K 5% 1/6W				
R830	1-249-429-11	CARBON	10K 5% 1/6W				
R831	1-249-425-11	CARBON	4.7K 5% 1/6W				
R832	1-249-429-11	CARBON	10K 5% 1/6W				
R833	1-249-429-11	CARBON	10K 5% 1/6W				
R834	1-249-437-11	CARBON	47K 5% 1/6W				
R835	1-249-437-11	CARBON	47K 5% 1/6W				
R836	1-249-425-11	CARBON	4.7K 5% 1/6W				
R837	1-249-417-11	CARBON	1K 5% 1/6W				
R838	1-215-866-11	METAL OXIDE	330 5% 1W				F
R839	1-215-866-11	METAL OXIDE	330 5% 1W				F
R840	1-249-429-11	CARBON	10K 5% 1/6W				
R841	1-247-757-11	CARBON	2.7K 5% 1/2W				
R845	1-215-475-00	METAL	180K 1% 1/6W				
R851	1-249-413-11	CARBON	470 5% 1/6W				
R852	1-249-407-11	CARBON	150 5% 1/6W				
R853	1-247-887-00	CARBON	220K 5% 1/6W				
R854	1-249-417-11	CARBON	1K 5% 1/6W				
R855	1-215-430-00	CARBON	2.4K 5% 1/6W				
R856	1-249-417-11	CARBON	1K 5% 1/6W				
R857	1-215-491-00	CARBON	820K 5% 1/6W				
R860	1-249-432-11	CARBON	18K 5% 1/6W				
						VARIABLE RESISTOR	
				RV501	1-228-577-00	RES, ADJ, CARBON 220	
				RV502	1-226-850-00	RES, ADJ, CARBON 4.7K	
				RV503	1-228-724-00	RES, ADJ, CARBON 10K	
				RV504	1-228-160-11	RES, ADJ, METAL GLAZE 5K	
				RV505	1-222-344-00	RES, ADJ, CARBON 5K	
				RV506	1-223-102-00	RES, ADJ, WIREWOUND 120	
				RV507	1-226-854-00	RES, ADJ, CARBON 100K	
				RV509	1-224-249-XX	RES, ADJ, METAL GLAZE 1K	
				RV801	1-228-724-00	RES, ADJ, CARBON 10K	
				RV802	1-226-847-00	RES, ADJ, CARBON 1K	
				RV803	1-226-847-00	RES, ADJ, CARBON 1K	
				RV804	1-228-725-00	RES, ADJ, CARBON 22K	
				RV805	1-228-725-00	RES, ADJ, CARBON 22K	
				RV806	1-228-725-00	RES, ADJ, CARBON 22K	
				RV807	1-228-725-00	RES, ADJ, CARBON 22K	
				RV808	1-226-855-00	RES, ADJ, CARBON 220K	
				RV809	1-226-857-00	RES, ADJ, CARBON 470K	
						SPARK GAP	
				S6501	1-519-063-XX	DISCHARGING GAP	
						TRANSFORMER	
				T501	1-437-078-00	TRANSFORMER, HORIZONTAL DRIVE	
				T503	1-421-520-00	TRANSFORMER, FERRITE (PHT)	
				T801	1-421-245-11	TRANSFORMER, PZN CUSHION	
						THERMISTOR	
				TH802	1-806-213-00	THERMISTOR	
				TH803	1-800-626-00	THERMISTOR	

				△	1-413-179-11	GA BOARD (SWITCHING REGULATOR)	

					2-430-308-01	INSULATOR (TK-03), TR	
				*	2-430-742-00	BRACKET-RIGHT (SR-12), L	
				*	2-430-743-00	BRACKET-LEFT (SR-12)	
					2-430-773-01	+PSW 3X6	
				*	2-430-947-00	PLATE, GROUND	
					2-434-060-01	+PSW 3X18	
					3-671-893-00	CLAMP (LOW TYPE)	
					4-310-385-00	HOLDER, WIRE	
				*	4-323-833-00	HEAT SINK, PIN OUT	
						CAPACITOR	
				C601	△	1-130-806-21	FILM 0.10MF 10% 400V
				C602	△	1-161-742-51	CERAMIC 2200PF 20% 400V
				C603	△	1-161-742-51	CERAMIC 2200PF 20% 400V
				C604	△	1-161-742-51	CERAMIC 2200PF 20% 400V
				C605	△	1-125-268-11	ELECT 47MF 20% 400V
				C606	△	1-124-023-51	ELECT 4.7MF 20% 350V

For Service Manuals Contact
MAURITRON TECHNICAL SERVICES
 8 Cherry Tree Rd, Chinnor
 Oxon OX9 4QY
 Tel: 01844-351694 Fax: 01844-352554
 Email: enquiries@mauritron.co.uk

The components identified by shading and mark △ are critical for safety. Replace only with part number specified.



Ref.No.	Part No.	Description	Remark	Ref.No.	Part No.	Description	Remark
C607	△.1-124-023-51	ELECT	4.7MF 20%	R604	△.1-246-449-25	CARBON	100 5% 1/4W
C610	△.1-161-963-11	CERAMIC	100PF 20%	R605	△.1-244-921-11	CARBON	100K 5% 1/2W
C611	△.1-161-912-11	CERAMIC	560PF 10%	R606	△.1-246-487-25	CARBON	3.9K 5% 1/4W
C612	△.1-161-912-11	CERAMIC	560PF 10%	R607	△.1-212-946-51	FUSE	3.3 5% 1/2W F
C613	△.1-161-912-11	CERAMIC	560PF 10%	R608	△.1-246-449-25	CARBON	100 5% 1/4W
C614	△.1-161-912-11	CERAMIC	560PF 10%	R609	△.1-244-873-11	CARBON	1K 5% 1/2W
C615	△.1-161-989-11	CERAMIC	2200PF 10%	R610	△.1-246-461-25	CARBON	330 5% 1/4W
C616	△.1-130-516-51	FI'M	0.01MF 10%	R611	△.1-246-521-25	CARBON	100K 5% 1/4W
C617	△.1-130-520-51	FI'M	0.022MF 1%	R612	△.1-246-497-25	CARBON	10K 5% 1/4W
C618	△.1-123-357-51	ELECT	22MF 20%	R613	△.1-246-482-25	CARBON	2.4K 5% 1/4W
C619	△.1-130-528-51	FI'M	0.1MF 10%	R615	△.1-213-151-61	META' OXIDE FI'M	4.7K 5% 1W F
C620	△.1-123-575-51	ELECT	100MF 160V	R616	△.1-246-453-25	CARBON	150 5% 1/4W
C621	△.1-123-349-51	ELECT	1000MF 20%	R617	△.1-246-417-25	CARBON	4.7 5% 1/4W
C622	△.1-123-324-51	ELECT	1000MF 20%	R618	△.1-217-465-21	FUSE	0.47K 10% 1W F
C623	△.1-123-575-51	ELECT	100MF 160V	R619	△.1-217-465-21	FUSE	0.47K 10% 1W F
C624	△.1-123-333-51	ELECT	100MF 20%	R620	△.1-246-418-25	CARBON	5.1 5% 1/4W
C625	△.1-123-333-51	ELECT	100MF 20%				
<u>DIODE</u>				<u>TRANSFORMER</u>			
D601	△.8-719-300-53	DIODE CTU-38S		T601	△.1-447-764-11	TRANSFORMER, CONVERTER	
D602	△.8-719-300-52	DIODE CTU-38R		T602	△.1-437-102-12	TRANSFORMER, DRIVE	
D603	△.8-719-903-02	DIODE ESAC33-02C		T603	△.1-421-460-31	TRANSFORMER, CURRENT	
D604	△.8-719-903-02	DIODE ESAC33-02C		*****			
D605	△.8-719-900-93	DIODE V09C		△.*1-611-903-11	GB BOARD (SWITCHING REGULATOR)		
D606	△.8-719-911-19	DIODE 1SS119		*****			
D607	△.8-719-100-61	DIODE RD11E-B2		<u>CAPACITOR</u>			
D608	△.8-719-100-34	DIODE RD5.6E-B1		C651	△.1-130-528-51	FI'M	0.1MF 10% 50V
D609	△.8-719-100-29	DIODE RD5.1E-B1		C652	△.1-130-528-51	FI'M	0.1MF 10% 50V
D610	△.8-719-100-29	DIODE RD5.1E-B1		C653	△.1-124-265-51	ELECT	33MF 20% 25V
D611	△.8-719-200-01	DIODE 10E1		C654	△.1-130-027-51	FI'M	0.0056MF 5% 50V
D612	△.8-719-100-34	DIODE RD5.6E-B1		C655	△.1-130-512-51	FI'M	4700PF 10% 50V
D613	△.8-719-100-34	DIODE RD5.6E-B1		C656	△.1-130-528-51	FI'M	0.1MF 10% 50V
D614	△.8-719-200-01	DIODE 10E1		C657	△.1-123-330-51	ELECT	22MF 20% 25V
<u>COIL</u>				<u>CONNECTOR</u>			
L601	△.1-421-606-11	TRANSFORMER, LINE FILTER		CN651	△.*1-564-164-11	PIN, CONNECTOR 7P	
L602	△.1-410-052-11	COIL, CHOKE (MAIN)		<u>DIODE</u>			
L603	△.1-410-053-11	COIL, CHOKE		D651	△.8-719-911-19	DIODE 1SS119	
L604	△.1-408-933-11	COIL, CHOKE		D652	△.8-719-911-19	DIODE 1SS119	
L605	△.1-408-933-11	COIL, CHOKE		D653	△.8-719-911-19	DIODE 1SS119	
L606	△.1-408-933-11	COIL, CHOKE		D654	△.8-719-100-34	DIODE RD5.6E-B1	
<u>TRANSISTOR</u>				D655	△.8-719-109-89	DIODE RD5.6ES-B2	
Q601	△.8-729-301-76	TRANSISTOR STR8124-R		<u>IC</u>			
Q602	△.8-729-102-02	TRANSISTOR 2SD1020-J		IC651	△.8-759-906-22	IC MB3759PF	
Q603	△.8-729-102-02	TRANSISTOR 2SD1020-J		<u>TRANSISTOR</u>			
Q604	△.8-729-178-52	TRANSISTOR 2SC2785-J		Q651	△.8-729-117-52	TRANSISTOR 2SA1175-J	
Q605	△.8-729-177-42	TRANSISTOR 2SD774-3		Q652	△.8-729-178-52	TRANSISTOR 2SC2785-J	
<u>RESISTOR</u>							
R601	△.1-244-921-11	CARBON	100K 5% 1/2W				
R602	△.1-246-487-25	CARBON	3.9K 5% 1/4W				
R603	△.1-212-946-51	FUSE	3.3 5% 1/2W F				

The components identified by shading and mark △ are critical for safety. Replace only with part number specified.



Ref.No.	Part No.	Description	Remark
RESISTOR			
R651	△.1-247-855-41	CARBON 10K 5% 1/6W	
R652	△.1-247-845-41	CARBON 3.9K 5% 1/6W	
R653	△.1-247-862-41	CARBON 20K 5% 1/6W	
R654	△.1-247-864-41	CARBON 24K 5% 1/6W	
R655	△.1-247-836-41	CARBON 1.6K 5% 1/6W	
R656	△.1-247-879-41	CARBON 100K 5% 1/6W	
R657	△.1-247-835-41	CARBON 1.5K 5% 1/6W	
R658	△.1-247-881-41	CARBON 120K 5% 1/6W	
R659	△.1-247-854-41	CARBON 9.1K 5% 1/6W	
R660	△.1-214-777-51	METAL 100K 1% 1/4W	
*R661	△.1-214-747-51	METAL 5.6K 1% 1/4W	
*R661	△.1-214-748-51	METAL 6.2K 1% 1/4W	
R662	△.1-247-861-41	CARBON 18K 5% 1/6W	
R663	△.1-247-852-41	CARBON 7.5K 5% 1/6W	
R664	△.1-247-839-41	CARBON 2.2K 5% 1/6W	
R666	△.1-247-831-41	CARBON 1.0K 5% 1/6W	
R667	△.1-247-839-41	CARBON 2.2K 5% 1/6W	
*R669	△.1-214-769-51	METAL 47K 1% 1/4W	
*R669	△.1-214-770-51	METAL 51K 1% 1/4W	
*R669	△.1-214-771-51	METAL 56K 1% 1/4W	
*R669	△.1-214-772-51	METAL 62K 1% 1/4W	
*R669	△.1-214-773-51	METAL 68K 1% 1/4W	
*R669	△.1-214-774-51	METAL 75K 1% 1/4W	
*R669	△.1-214-775-51	METAL 82K 1% 1/4W	
*R669	△.1-214-776-51	METAL 91K 1% 1/4W	
*R669	△.1-214-777-51	METAL 100K 1% 1/4W	
*R669	△.1-214-778-51	METAL 110K 1% 1/4W	
*R669	△.1-214-779-51	METAL 120K 1% 1/4W	
*R669	△.1-214-780-51	METAL 130K 1% 1/4W	
*R669	△.1-214-781-51	METAL 150K 1% 1/4W	
*R669	△.1-214-782-51	METAL 160K 1% 1/4W	
*R669	△.1-214-783-51	METAL 180K 1% 1/4W	
*R669	△.1-214-784-51	METAL 200K 1% 1/4W	
*R669	△.1-214-785-51	METAL 220K 1% 1/4W	
*R669	△.1-214-786-51	METAL 240K 1% 1/4W	
*R669	△.1-214-787-51	METAL 270K 1% 1/4W	
*R669	△.1-214-788-51	METAL 300K 1% 1/4W	
*R669	△.1-214-952-51	METAL 330K 1% 1/4W	
*R669	△.1-214-953-51	METAL 360K 1% 1/4W	
*R669	△.1-214-954-51	METAL 390K 1% 1/4W	
*R669	△.1-214-955-51	METAL 430K 1% 1/4W	
*R669	△.1-214-956-51	METAL 470K 1% 1/4W	
*R669	△.1-214-957-51	METAL 510K 1% 1/4W	
*R669	△.1-214-958-51	METAL 560K 1% 1/4W	
*R669	△.1-214-959-51	METAL 620K 1% 1/4W	
*R669	△.1-214-960-51	METAL 680K 1% 1/4W	
*R669	△.1-214-961-51	METAL 750K 1% 1/4W	
*R669	△.1-214-962-51	METAL 820K 1% 1/4W	
*R669	△.1-214-963-51	METAL 910K 1% 1/4W	
*R669	△.1-214-964-51	METAL 1M 1% 1/4W	

Ref.No.	Part No.	Description	Remark
VARIABLE RESISTOR			
RV651	△.1-228-141-11	RES, ADJ, METAL GLAZE 500	

MISCELLANEOUS			

△.1-228-482-14		RESISTOR ASSY, HIGH-VOLTAGE	
△.1-413-179-11		SWITCHING REGULATOR (TK-09)	
△.1-451-204-63		DEFLECTION YOKE (SY-1088)	
1-452-032-00		MAGNET, DISK; 10MM φ	
1-452-094-00		MAGNET, ROTATABLE DISK; 15MM φ	
1-452-146-00		BMC MAGNET	
△.1-452-337-11		NECK ASSY, CRT (NA304)	
△.1-534-820-13		POWER CORD	
1-536-392-XX		L-TYPE TERMINAL STRIP	
1-543-179-00		CORE, RING	
L901	△.1-426-087-42	COIL, DEGAUSSING	
S901	△.1-554-967-12	SWITCH, PUSH (AC POWER)(1 KEY)	
SP901	1-503-109-00	SPEAKER	
T502	△.1-439-322-12	TRANSFORMER ASSY, FLYBACK	
V901	△.8-737-251-05	PICTURE TUBE (A49JHT00X)	

ACCESSORIES AND PACKING MATERIALS			

Part No.	Description	Remark	
4-312-246-00	BAG, PROTECTION		
4-363-322-01	INDIVIDUAL CARTON		
4-370-943-01	CUSHION (UPPER) (ASSY)		
4-370-944-01	CUSHION (LOWER) (ASSY)		
4-370-956-01	CUSHION (LOWER INNER)		
4-493-915-11	MANUAL, INSTRUCTION		

For Service Manuals Contact
MAURITRON TECHNICAL SERVICES
 8 Cherry Tree Rd, Chinnor
 Oxon OX9 4QY
 Tel:- 01844-351694 Fax:- 01844-352554
 Email:- enquiries@mauritron.co.uk

The components identified by shading and mark △ are critical for safety. Replace only with part number specified.

* : Selected to yield optimum performance.

